



US00D768890S

(12) **United States Design Patent**
Pan

(10) **Patent No.:** **US D768,890 S**
(45) **Date of Patent:** **** Oct. 11, 2016**

(54) **LED LAMP**

D584,838 S * 1/2009 To D26/2
D646,802 S * 10/2011 Guohui D26/2
D695,426 S * 12/2013 Tu D26/2

(71) Applicant: **SNC Opto Electronic Co., Ltd.**,
Shenzhen, Guangdong Province (CN)

* cited by examiner

(72) Inventor: **Nianhua Pan**, Shenzhen (CN)

Primary Examiner — Marcus Jackson

(73) Assignee: **SNC Opto Electronic Co., Ltd.**,
Shenzhen (CN)

(74) *Attorney, Agent, or Firm* — Novoclaims Patent
Services LLC; Mei Lin Wong

(**) Term: **15 Years**

(21) Appl. No.: **29/531,247**

(57) **CLAIM**

The ornamental design for a LED lamp, as shown and described.

(22) Filed: **Jun. 24, 2015**

(51) **LOC (10) Cl.** **26-04**

(52) **U.S. Cl.**
USPC **D26/2**

(58) **Field of Classification Search**
USPC D26/1-4; 313/313, 315, 316, 317, 318,
313/493; 315/52, 53, 56, 57, 58
CPC F21V 5/00; F21K 9/13; F21K 9/135;
F21K 9/1375; H01J 5/48; H01J 5/50; H01J
19/54
See application file for complete search history.

DESCRIPTION

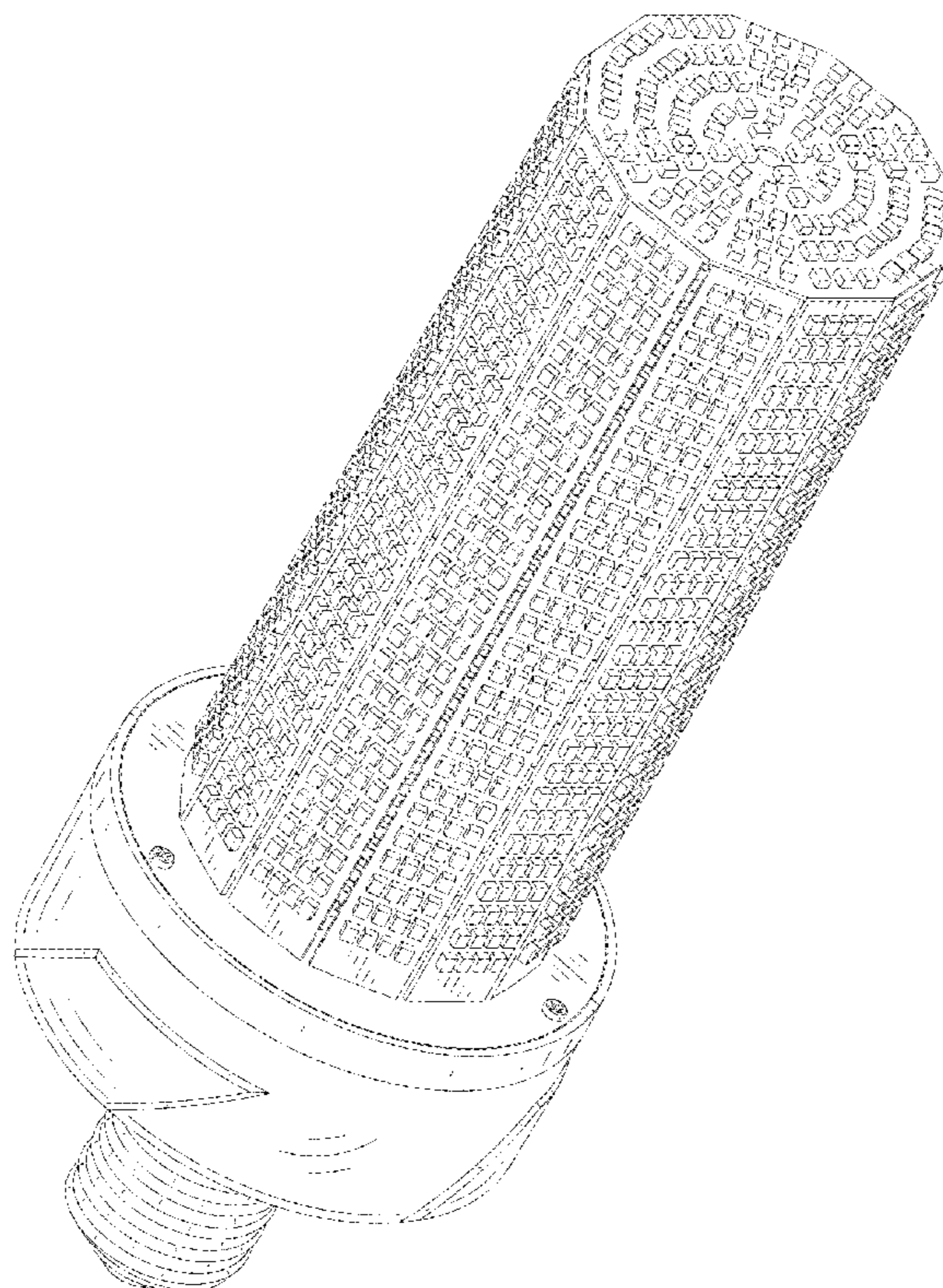
FIG. 1 is a perspective view of a LED lamp in accordance with the present invention.
FIG. 2 is a front view thereof.
FIG. 3 is a rear view thereof.
FIG. 4 is a right end view thereof.
FIG. 5 is a left end view thereof.
FIG. 6 is a top view thereof.
FIG. 7 is a bottom view thereof; and,
FIG. 8 is another perspective view of a LED lamp in accordance with the present invention.

(56) **References Cited**

U.S. PATENT DOCUMENTS

D553,266 S * 10/2007 Maxik D26/2
D566,300 S * 4/2008 Lo D26/2

1 Claim, 7 Drawing Sheets



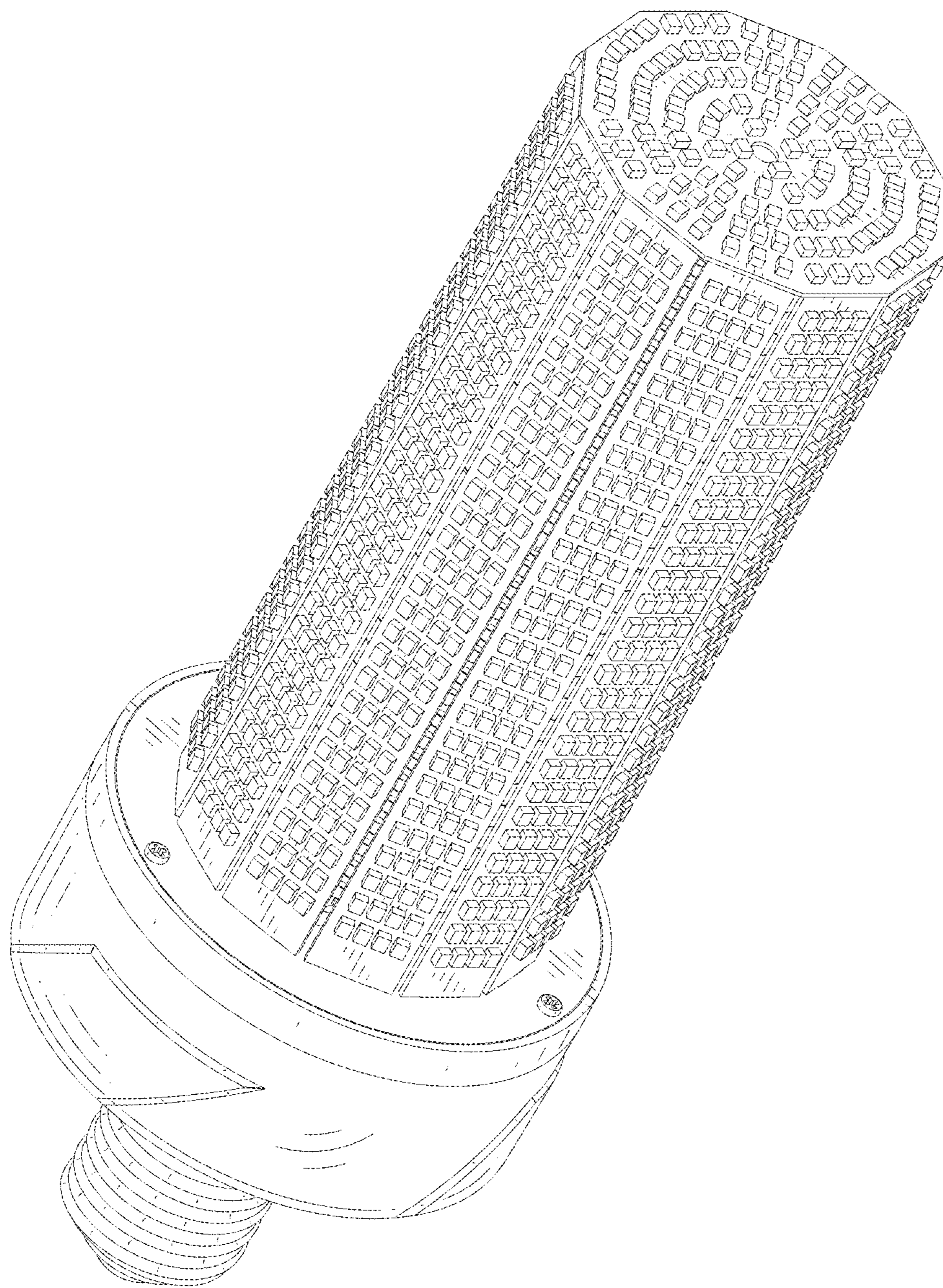


FIG.1

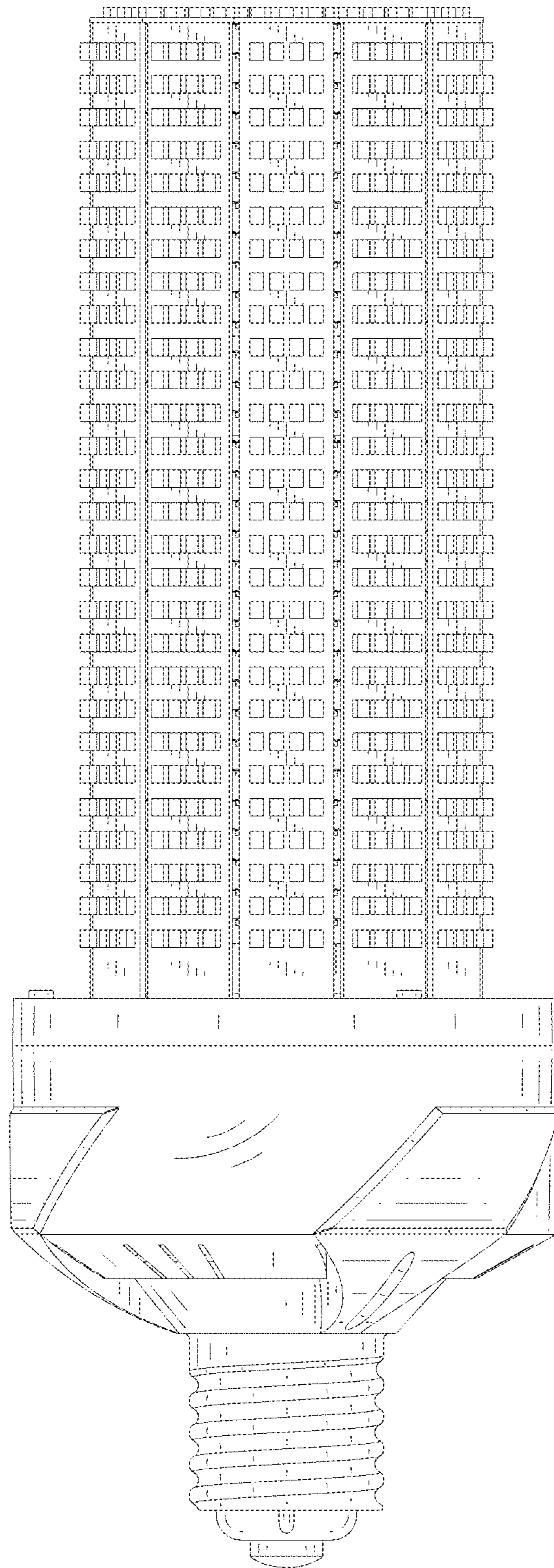


FIG.2

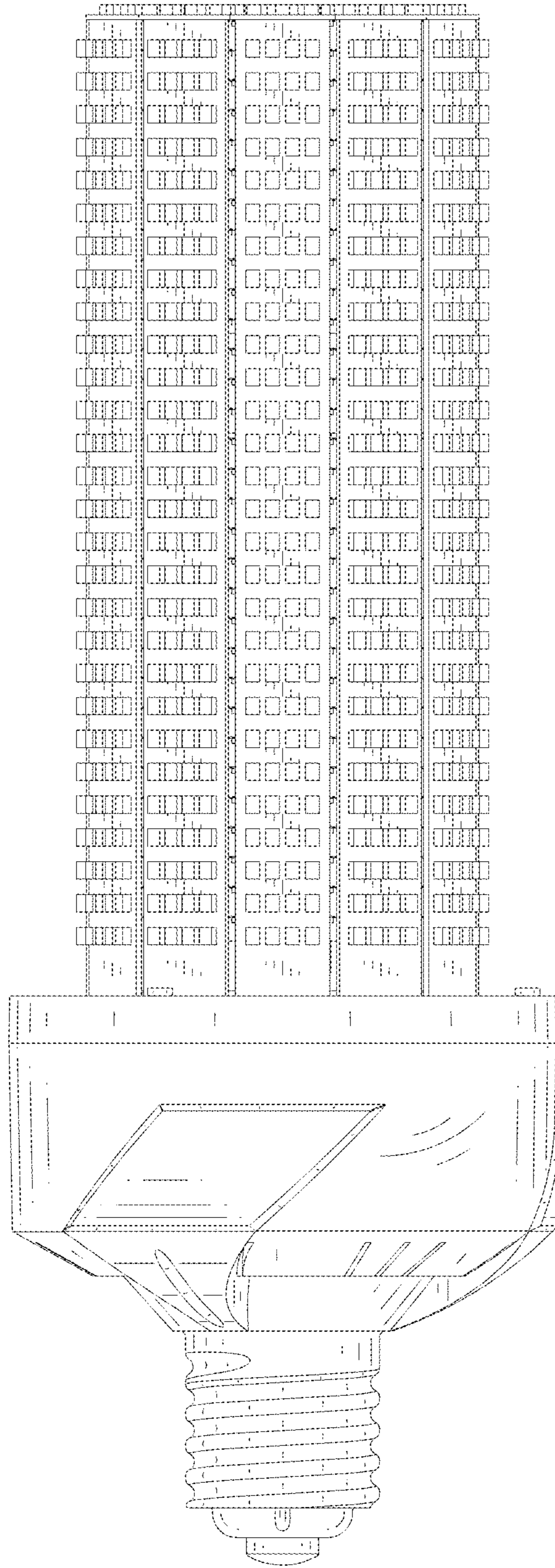


FIG.3

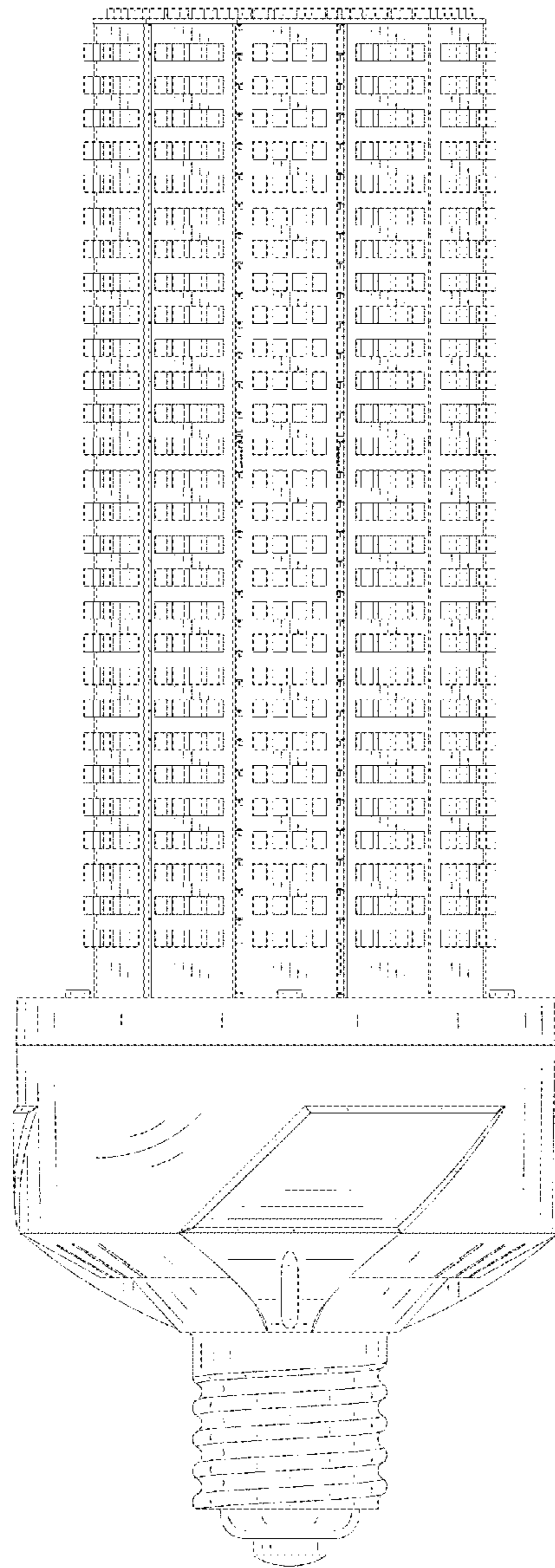


FIG.4

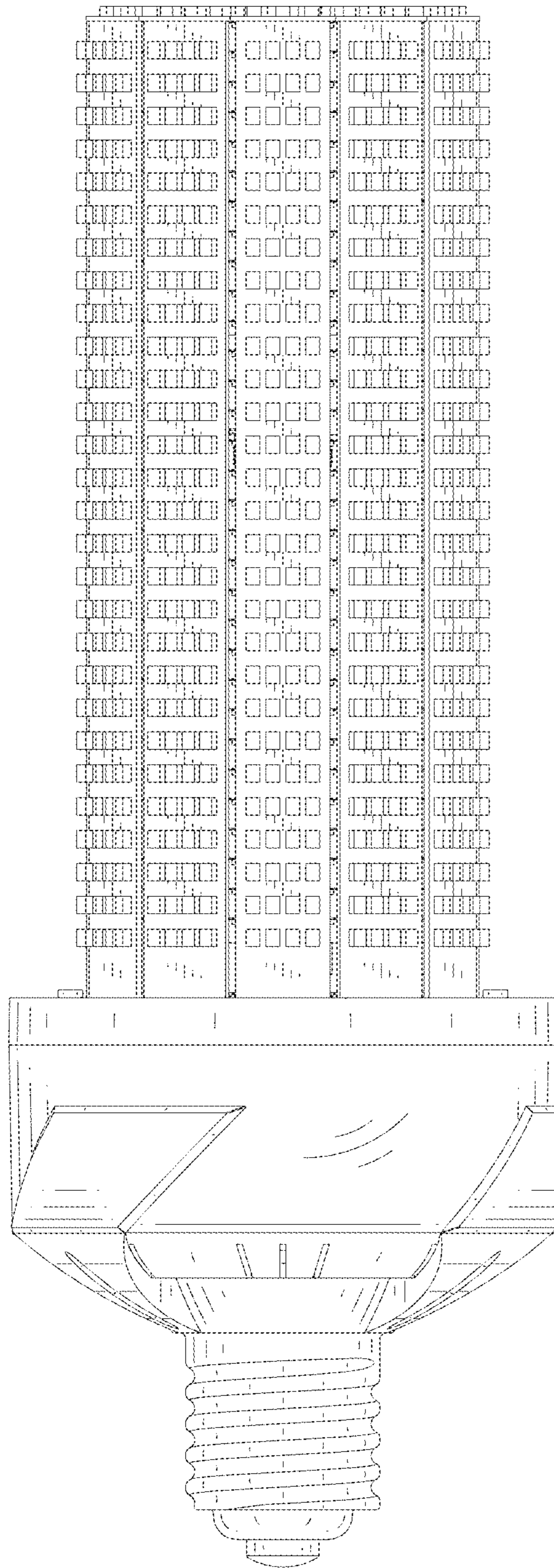


FIG.5

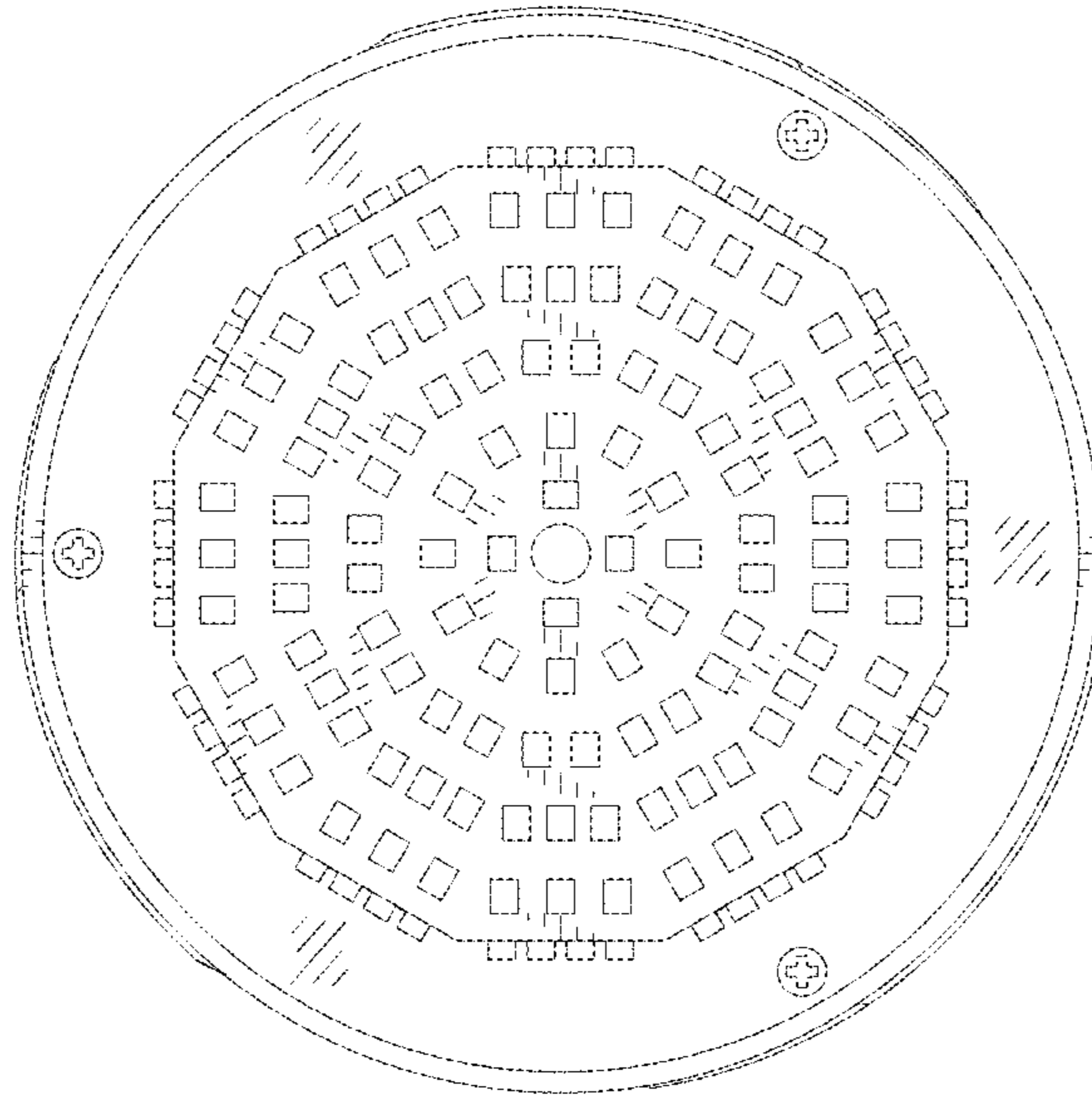


FIG. 6

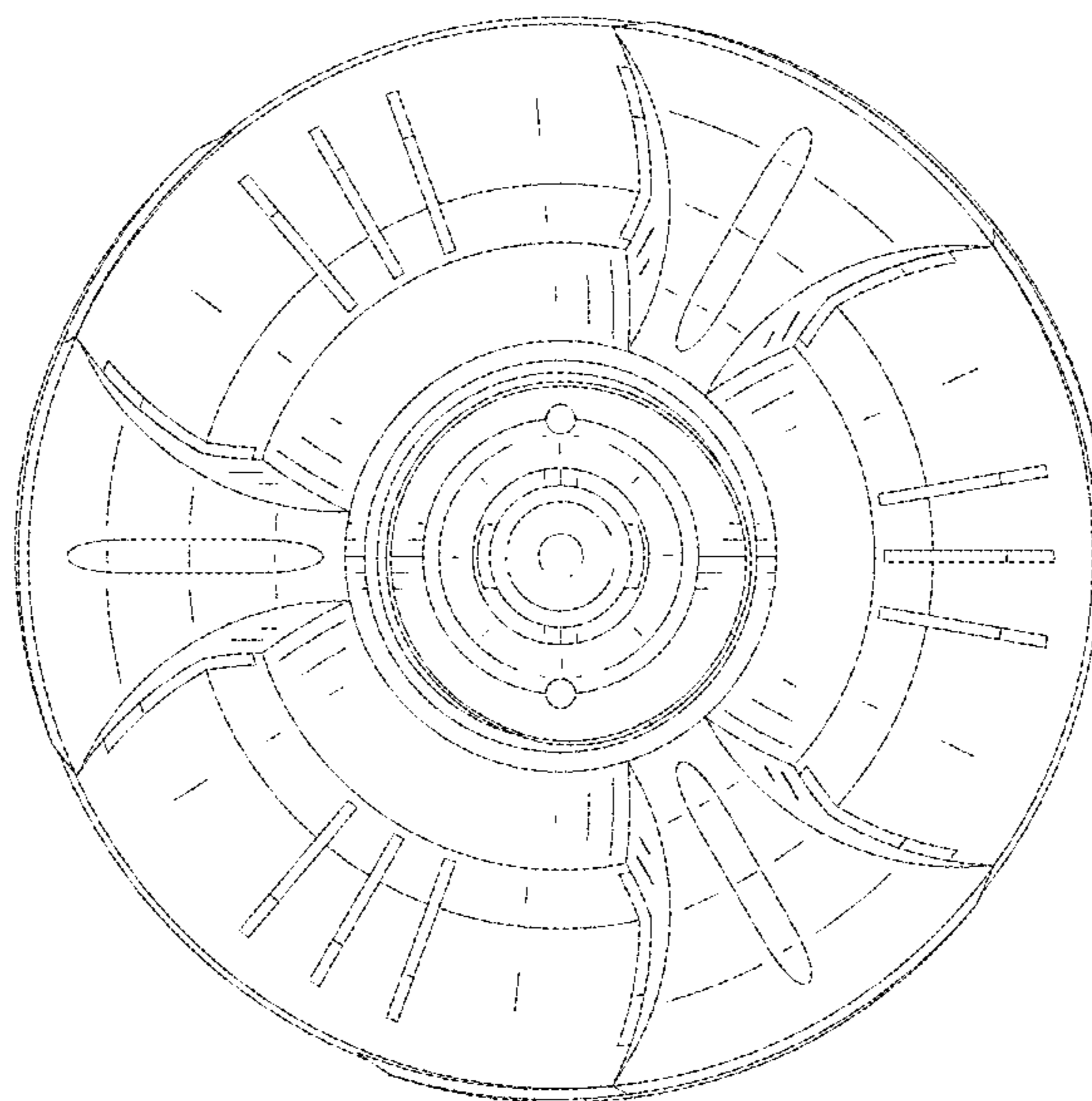


FIG. 7

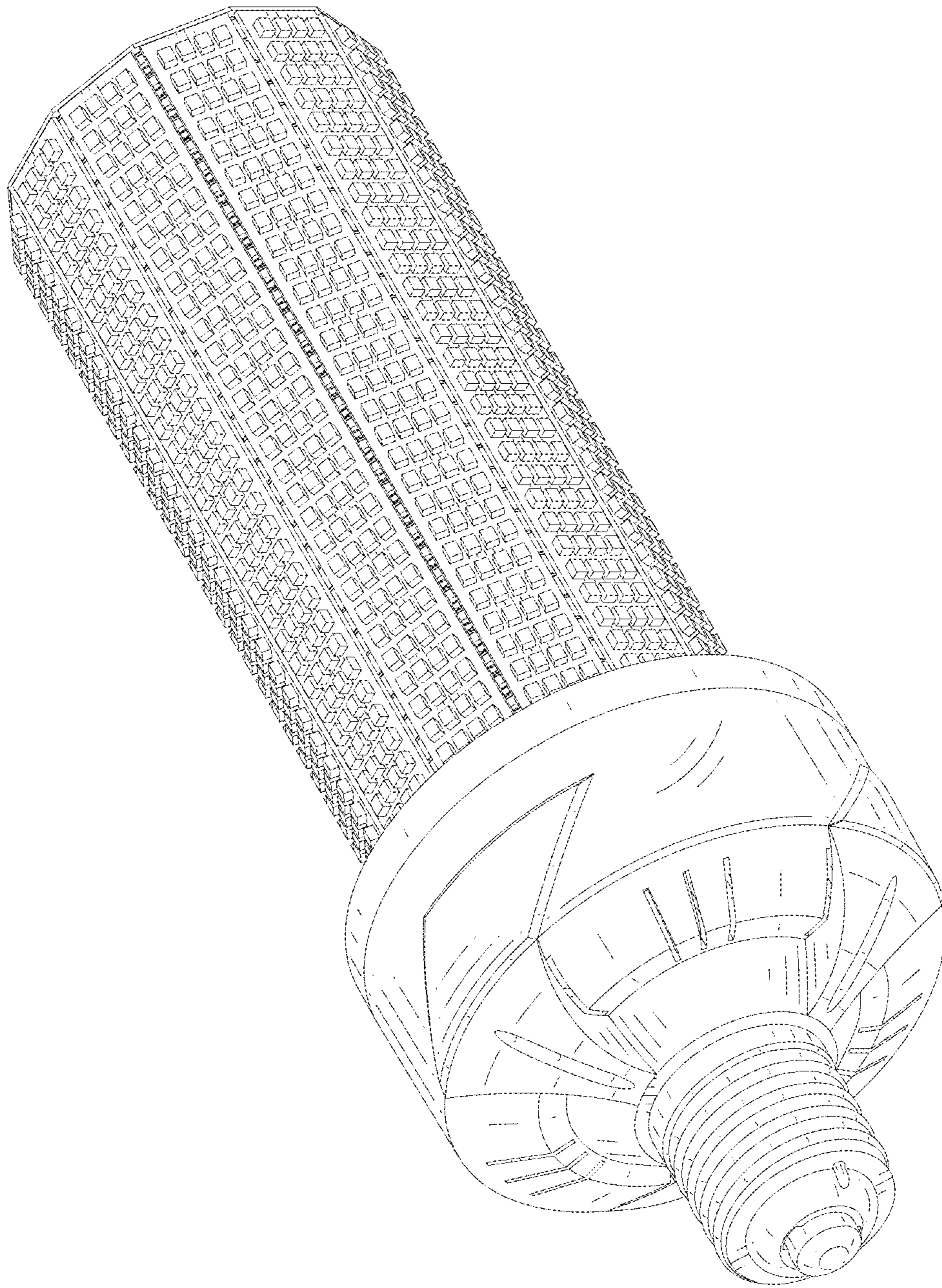


FIG.8