

US00D768889S

(12) **United States Design Patent** (10) **Patent No.:** **US D768,889 S**
Bergmann et al. (45) **Date of Patent:** **** Oct. 11, 2016**

- (54) **LED LAMP**
- (71) Applicant: **Cree, Inc.**, Durham, NC (US)
- (72) Inventors: **Michael John Bergmann**, Raleigh, NC (US); **David Power**, Morrisville, NC (US); **Scott Schwab**, Durham, NC (US); **Francis Wong Daw Heng**, New Taipei (TW); **Weng Cheng-Yao**, New Taipei (TW); **Chen Guang-Yi**, Kunshan (TW)
- (73) Assignees: **Cree, Inc.**, Durham, NC (US); **Lextar Electronics Corporation**, Hsinchu (TW)
- (**) Term: **14 Years**
- (21) Appl. No.: **29/511,241**
- (22) Filed: **Dec. 9, 2014**
- (51) **LOC (10) Cl.** **26-04**
- (52) **U.S. Cl.**
USPC **D26/2**
- (58) **Field of Classification Search**
USPC D26/1-4; 313/313, 315, 316, 317, 318, 313/493; 315/52, 53, 56, 57, 58
CPC H01J 5/48; H01J 5/50; H01J 19/54; F21V 5/00
See application file for complete search history.

(56) **References Cited**

U.S. PATENT DOCUMENTS

D443,703 S *	6/2001	Sood	D26/2
D506,840 S *	6/2005	Van de Ven	D26/2
D528,674 S *	9/2006	Gonzalez	D26/2
D538,953 S *	3/2007	Mama	D26/2
D540,961 S *	4/2007	Hrubowchak	D26/2
D548,369 S *	8/2007	Bembridge	D26/2
D550,864 S *	9/2007	Hernandez, Jr.	D26/2
8,154,181 B1	4/2012	Lin et al.		
2011/0273102 A1	11/2011	Van De Ven et al.		
2013/0026923 A1	1/2013	Athalye et al.		

- 2013/0026925 A1 1/2013 Ven et al.
- 2013/0069535 A1 3/2013 Athalye
- 2013/0069547 A1 3/2013 Van De Ven et al.
- 2013/0119872 A1 5/2013 Chobot
- 2013/0127353 A1 5/2013 Athalye et al.
- 2013/0162149 A1 6/2013 Van De Ven et al.
- 2013/0162153 A1 6/2013 Van De Ven et al.
- 2013/0169159 A1 7/2013 Lys

(Continued)

OTHER PUBLICATIONS

U.S. Appl. No. 14/284,643, filed May 22, 2014.
(Continued)

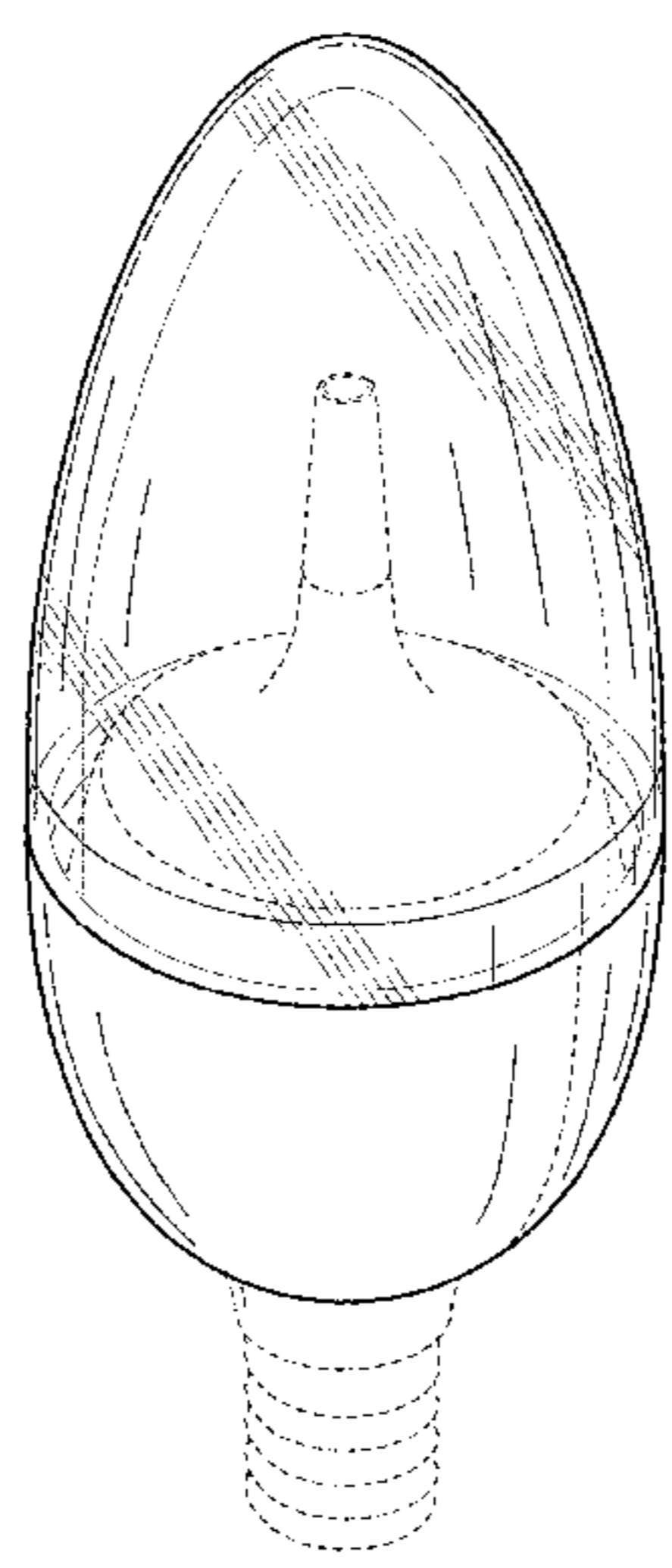
Primary Examiner — Marcus Jackson
(74) *Attorney, Agent, or Firm* — Dennis J. Williamson;
Moore & Van Allen PLLC

(57) **CLAIM**
We claim the ornamental design for a LED lamp, as shown and described.

DESCRIPTION

FIG. 1 is a front view showing an embodiment of our new design for a LED lamp;
 FIG. 2 is a back view showing our new design shown in FIG. 1;
 FIG. 3 is a right side view showing our new design shown in FIG. 1;
 FIG. 4 is a left side view showing our new design shown in FIG. 1;
 FIG. 5 is a top view showing our new design shown in FIG. 1;
 FIG. 6 is a bottom view showing our new design shown in FIG. 1; and,
 FIG. 7 is a perspective view showing our new design shown in FIG. 1.
 The portions shown in broken lines are not part of the claimed design but show the environment in which the design is associated.

1 Claim, 4 Drawing Sheets



(56)

References Cited

U.S. PATENT DOCUMENTS

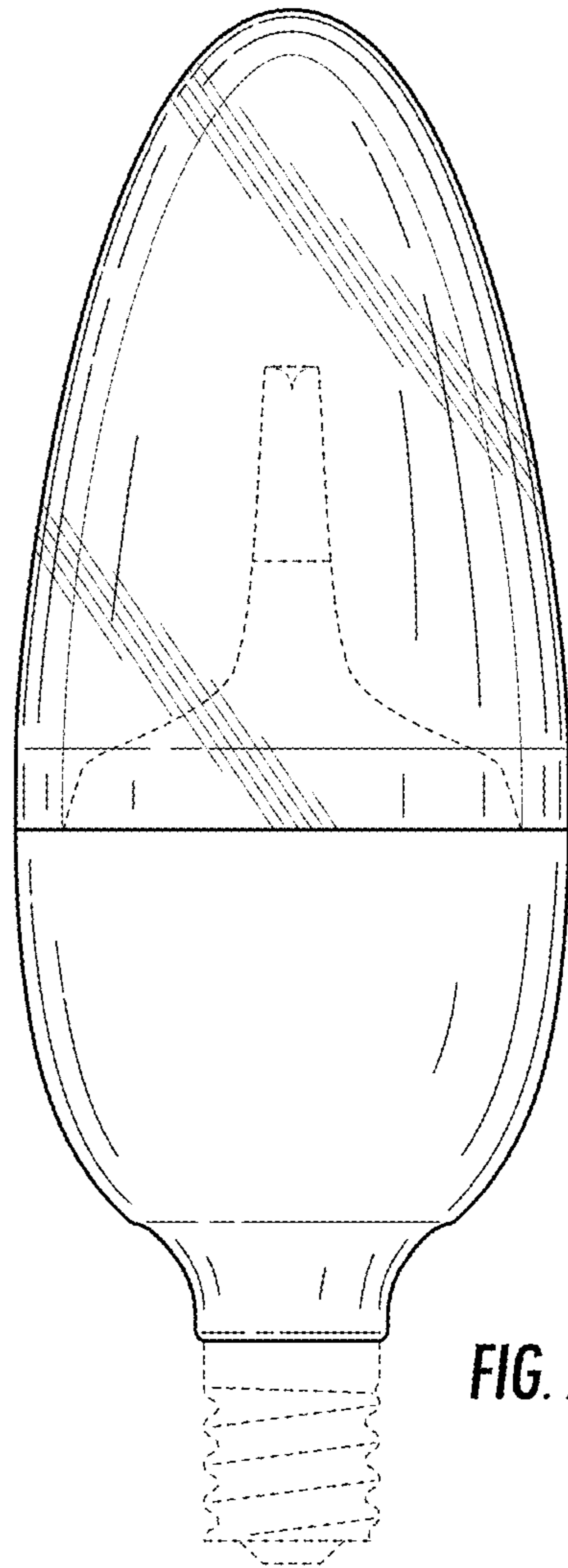
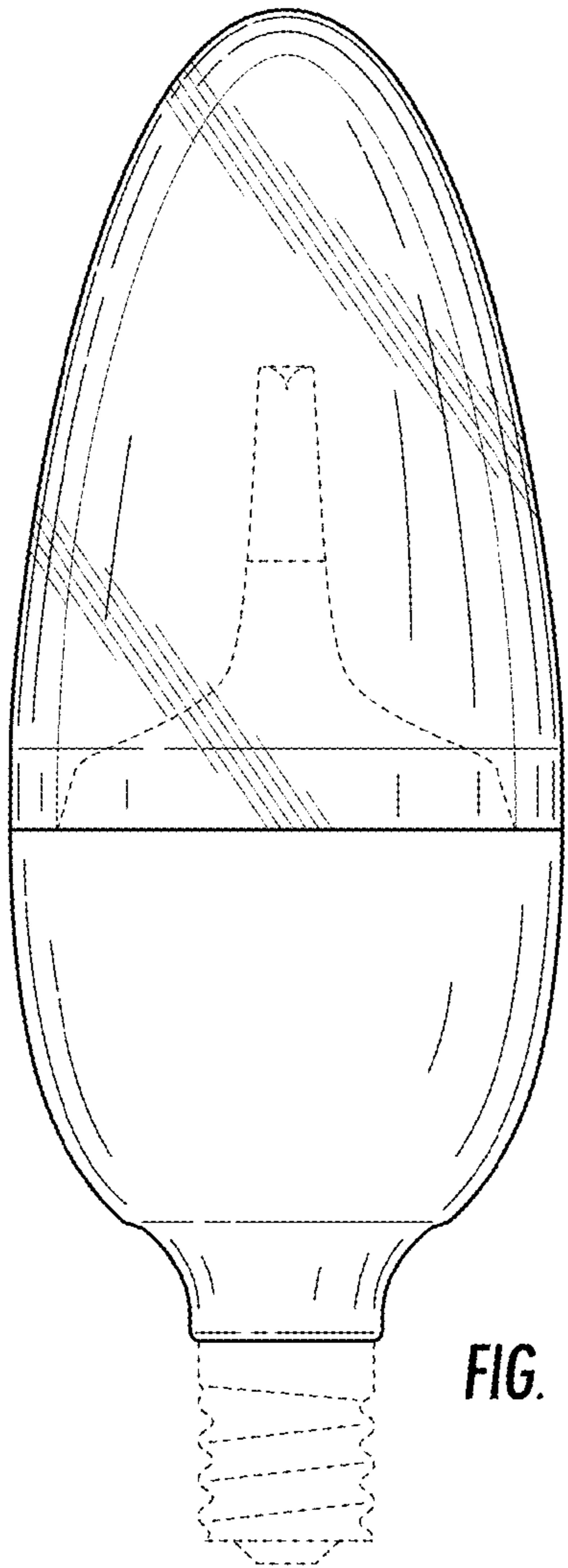
2013/0293135 A1 11/2013 Hu et al.
2014/0001959 A1 1/2014 Motley et al.
2014/0167620 A1 6/2014 Chobot
2014/0167622 A1 6/2014 Chobot et al.
2014/0167623 A1 6/2014 Chobot et al.
2014/0167642 A1 6/2014 Chobot
2014/0167653 A1 6/2014 Chobot
2014/0268790 A1 9/2014 Chobot et al.

OTHER PUBLICATIONS

U.S. Appl. No. 14/052,336, filed Oct. 10, 2013.
U.S. Appl. No. 61/932,058, filed Jan. 27, 2014.

U.S. Appl. No. 14/292,286, filed May 30, 2014.
U.S. Appl. No. 14/564,228, filed Dec. 9, 2014.
Philips, 40W Equivalent Soft White (2700K) B13 Blunt Tip Candle Dimmable LED Light Bulb (4-Pack), <http://www.homedepot.com/p/Philips-40W-Equivalent-Soft-White-2700K-B13-Blunt-Tip-Candle-Dimmable-LED-Light-Bulb-4-Pack-435057/205362382>.
Sylvania, Ultra 6-Watt (40W Equivalent) Candelabra Base Soft White Dimmable Decorative LED Light Bulb, http://www.lowes.com/pd_592629-3-79636_0_?productId=50222729.
TCP, 40W Equivalent Soft White (2700K) B10 Candelabra Dimmable LED Light Bulb (3-Pack), <http://www.homedepot.com/p/TCP-40W-Equivalent-Soft-White-2700K-B10-Candelabra-Dimmable-LED-Light-Bulb-3-Pack-RLDCT527KC3/205688945?N=5yc1vZbm79Z1z0u2lw>.

* cited by examiner



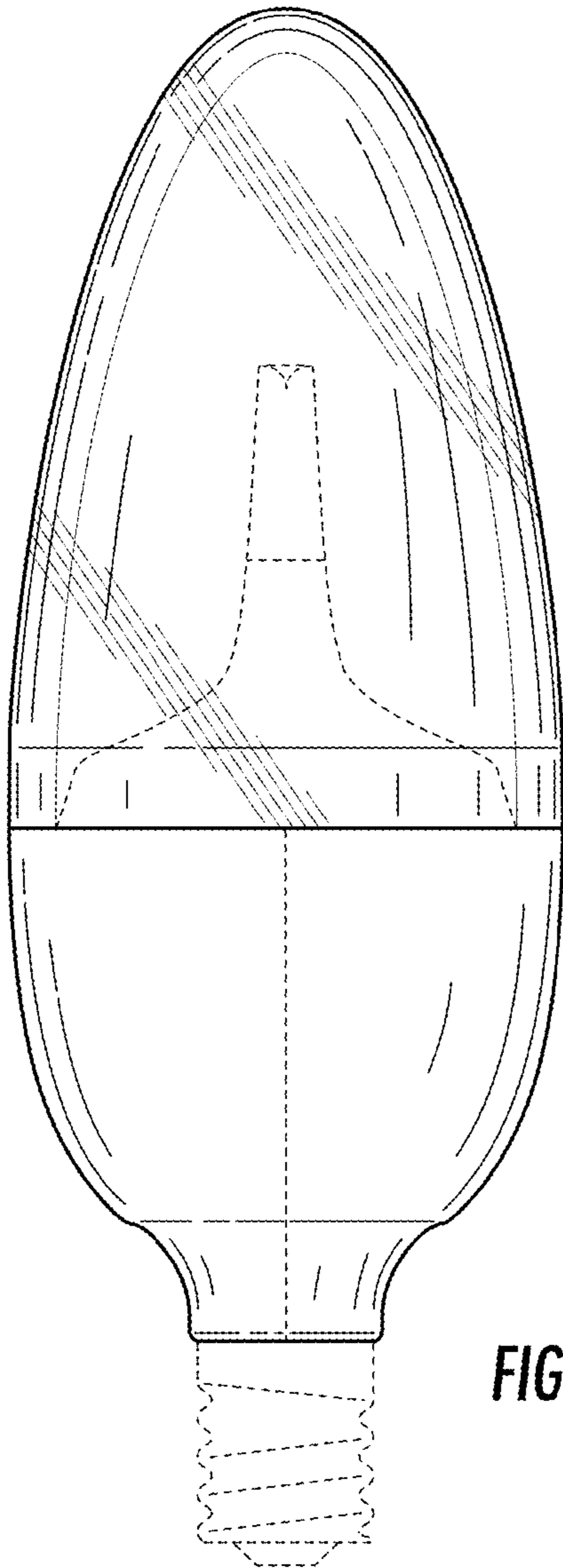


FIG. 3

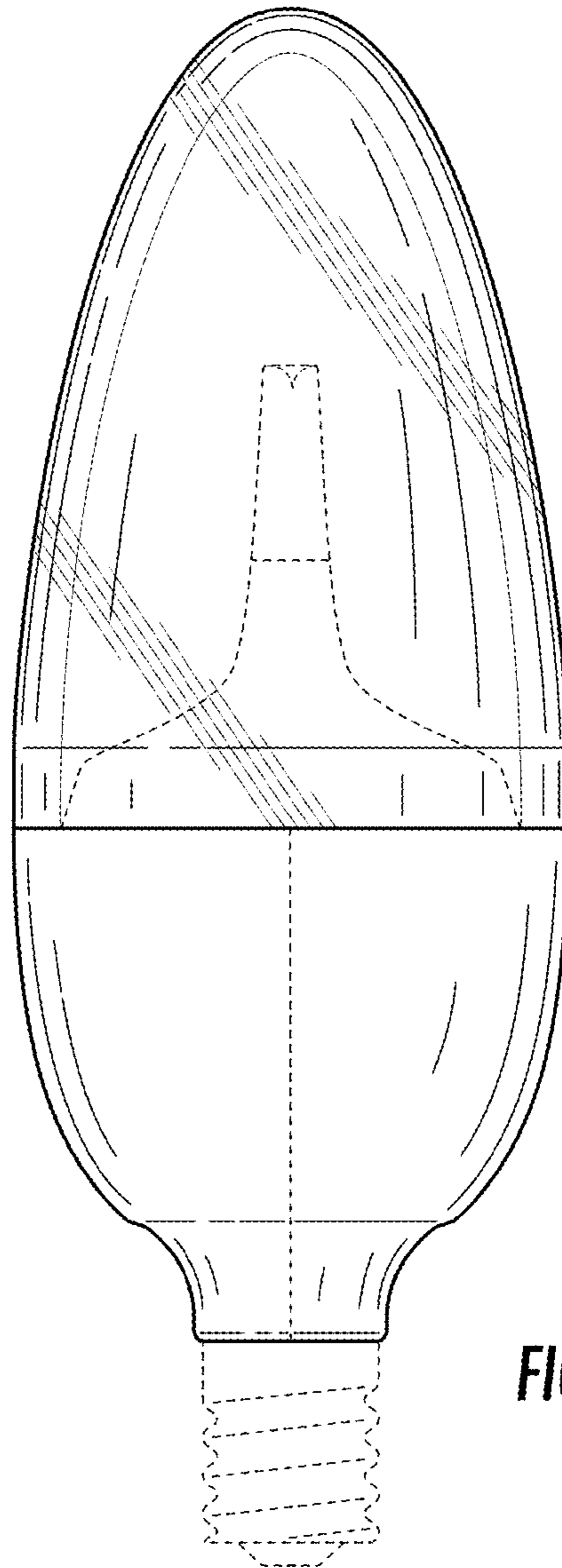


FIG. 4

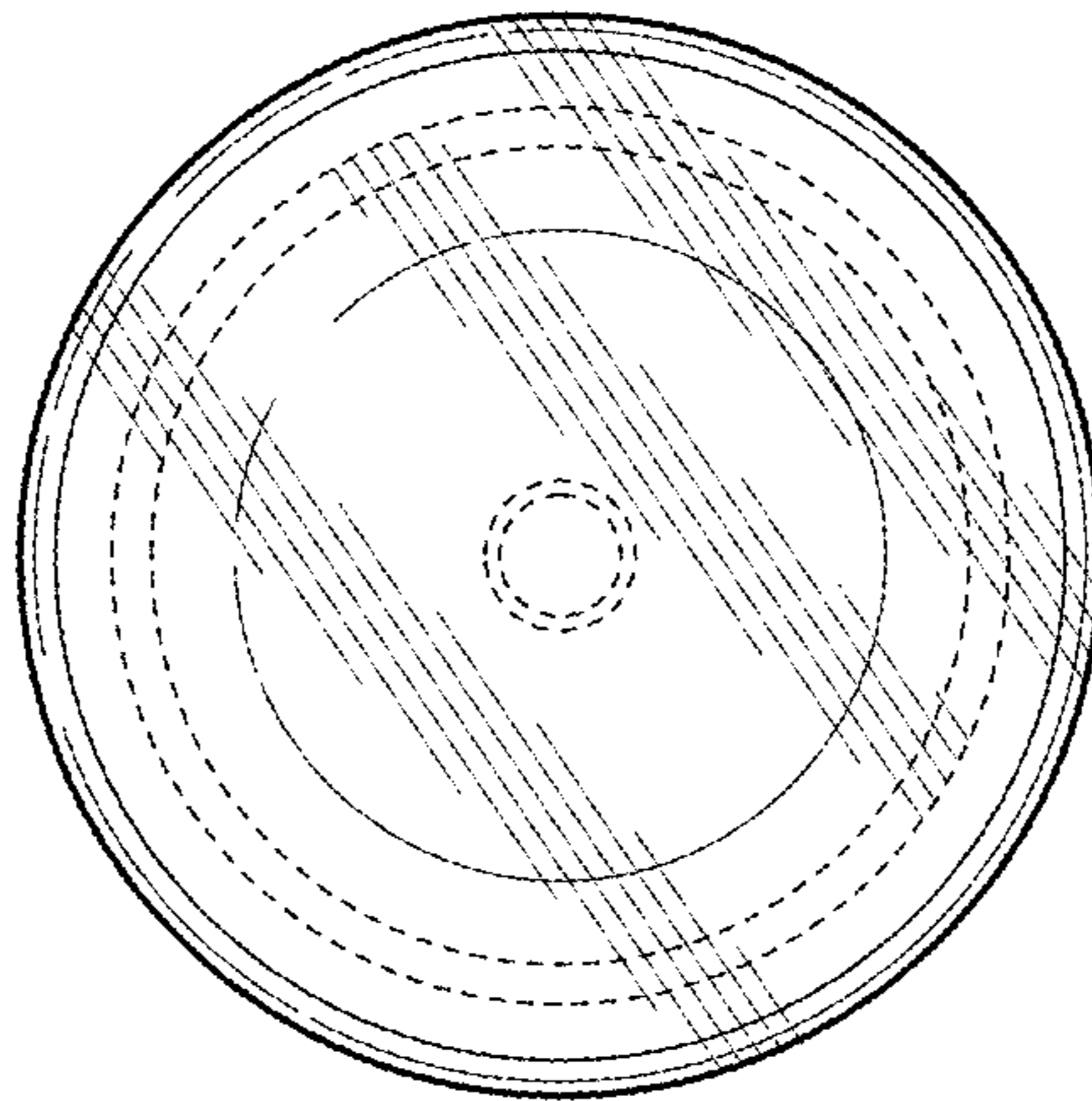


FIG. 5

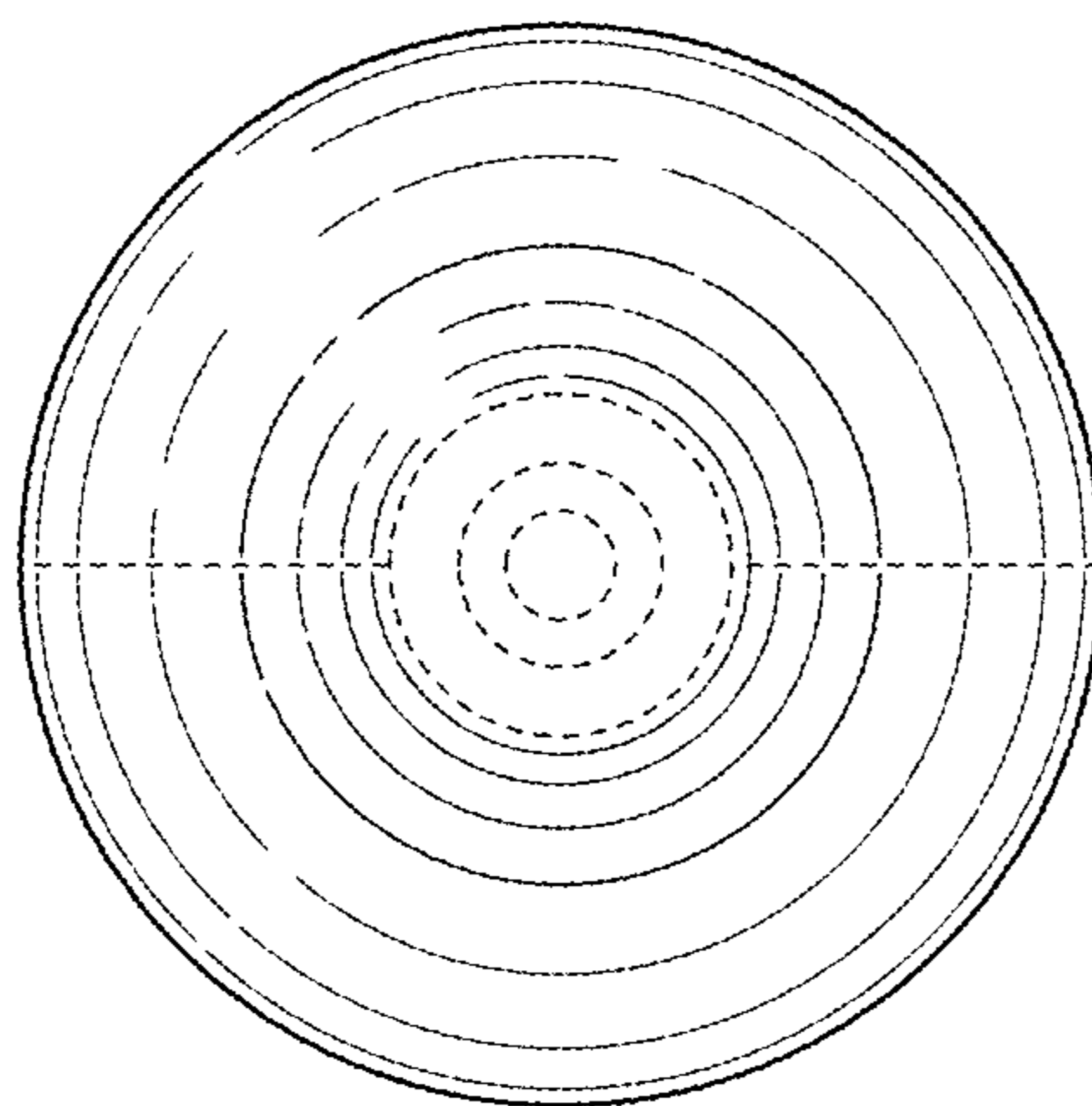


FIG. 6

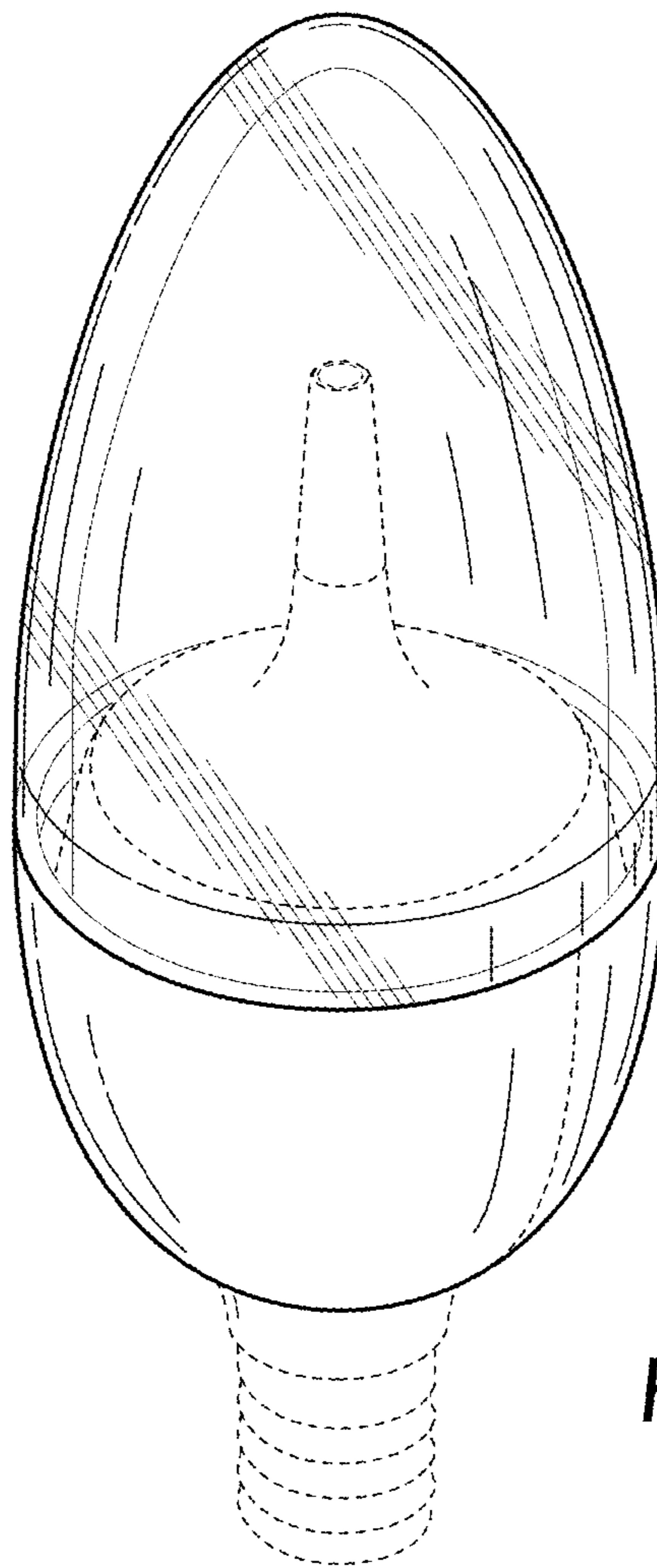


FIG. 7