



US00D76888S

(12) **United States Design Patent**  
**Tan et al.**

(10) **Patent No.:** **US D768,888 S**  
(45) **Date of Patent:** **\*\* Oct. 11, 2016**

(54) **LED LIGHTING MODULE**  
(71) Applicant: **OSRAM GmbH**, Munich (DE)  
(72) Inventors: **Jie Tan**, Shenzhen (CN); **HongWei Zhang**, Shenzhen (CN)  
(73) Assignee: **OSRAM GMBH**, Munich (DE)  
(\*\*) Term: **15 Years**

D715,461 S \* 10/2014 Chen ..... D26/1  
8,931,934 B2 \* 1/2015 Lin ..... F21V 29/225  
362/294  
9,028,097 B2 \* 5/2015 Wilcox ..... F21V 3/00  
362/236  
9,188,314 B2 \* 11/2015 Wu ..... F21V 15/01  
D754,618 S \* 4/2016 Freeman ..... D13/180  
2006/0092637 A1 \* 5/2006 Yeh ..... F21K 9/00  
362/249.01  
2008/0170367 A1 \* 7/2008 Lai ..... F21K 9/00  
361/700

(Continued)

(21) Appl. No.: **29/548,052**  
(22) Filed: **Dec. 10, 2015**  
(30) **Foreign Application Priority Data**

FOREIGN PATENT DOCUMENTS

CN 303234329 S 6/2015  
CN 303250380 S 6/2015

(Continued)

Jun. 11, 2015 (EM) ..... 002717462  
(51) **LOC (10) Cl.** ..... **26-04**  
(52) **U.S. Cl.**  
USPC ..... **D26/1; D13/180**  
(58) **Field of Classification Search**  
USPC ..... D13/180; D26/1-4, 24, 120  
CPC ..... F21K 9/00; F21K 9/13; F21S 4/20;  
F21V 5/007; F21V 5/02; F21V 5/04; F21V  
19/003; F21V 31/04; F21V 23/005  
See application file for complete search history.

OTHER PUBLICATIONS

Design U.S. Appl. No. 29/508,149 (not yet published) corresponds to Foreign Patent Documents Nos. 3 and 4.

(Continued)

*Primary Examiner* — Selina Sikder  
(74) *Attorney, Agent, or Firm* — Viering, Jentschura & Partner mbB

(56) **References Cited**

(57) **CLAIM**

U.S. PATENT DOCUMENTS

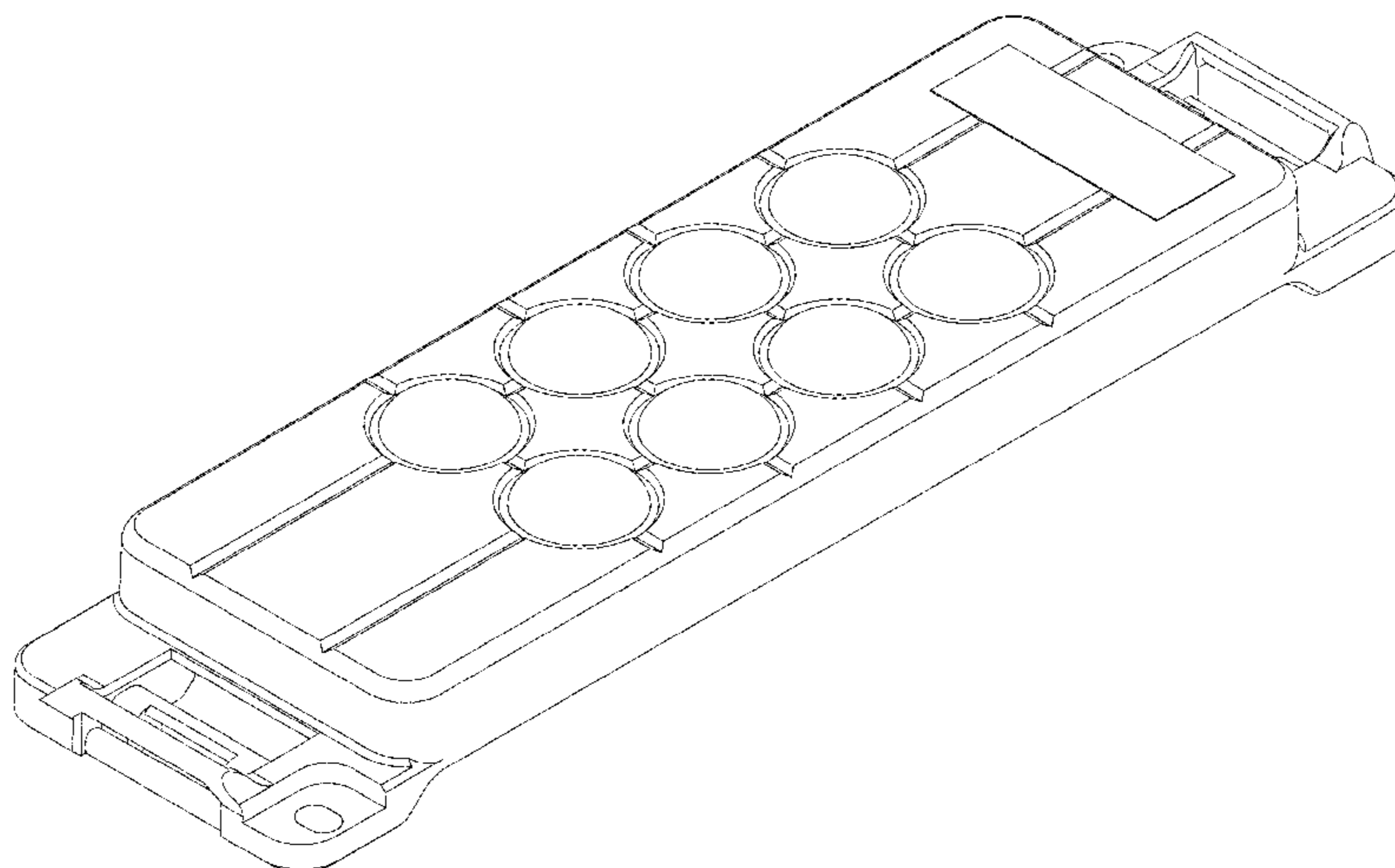
The ornamental design for an LED lighting module, as shown and described.

D578,492 S \* 10/2008 Xu ..... D13/180  
7,614,766 B2 \* 11/2009 Wang ..... F21V 14/02  
248/183.1  
7,887,218 B2 \* 2/2011 Wang ..... F21V 21/0808  
362/240  
8,136,977 B2 \* 3/2012 Chiang ..... F21V 5/02  
362/391  
D663,048 S \* 7/2012 Chen ..... D26/1  
8,545,049 B2 \* 10/2013 Davis ..... B29C 45/14467  
362/244  
D696,801 S \* 12/2013 He ..... D26/24  
8,764,245 B2 \* 7/2014 Chen ..... F21S 4/28  
362/218

**DESCRIPTION**

FIG. 1 is a perspective view of the lighting module;  
FIG. 2 is a front view of the lighting module;  
FIG. 3 is a back view of the lighting module;  
FIG. 4 is a right side view of the lighting module;  
FIG. 5 is a left side view of the lighting module; and,  
FIG. 6 is a top view of the lighting module.

**1 Claim, 6 Drawing Sheets**



(56)

**References Cited**

U.S. PATENT DOCUMENTS

2009/0290345 A1\* 11/2009 Shaner ..... F21K 9/00  
362/249.01  
2013/0020462 A1\* 1/2013 Kim ..... F21K 9/13  
250/205  
2013/0039054 A1\* 2/2013 Yang ..... F21V 5/04  
362/234  
2014/0049962 A1\* 2/2014 Holder ..... F21K 9/00  
362/244  
2015/0138770 A1\* 5/2015 Kwak ..... F21K 9/10  
362/244  
2015/0153033 A1\* 6/2015 Kuo ..... F21V 29/24  
362/311.02

2015/0262518 A1\* 9/2015 Freeman ..... F21V 5/04  
362/311.02  
2015/0276144 A1\* 10/2015 Tudhope ..... F21V 23/005  
362/294

FOREIGN PATENT DOCUMENTS

EM 002469023-0001 5/2014  
EM 002473637-0001 6/2014

OTHER PUBLICATIONS

Design U.S. Appl. No. 29/506,569 (not yet published) corresponds to Foreign Patent Documents Nos. 1 and 2.

\* cited by examiner

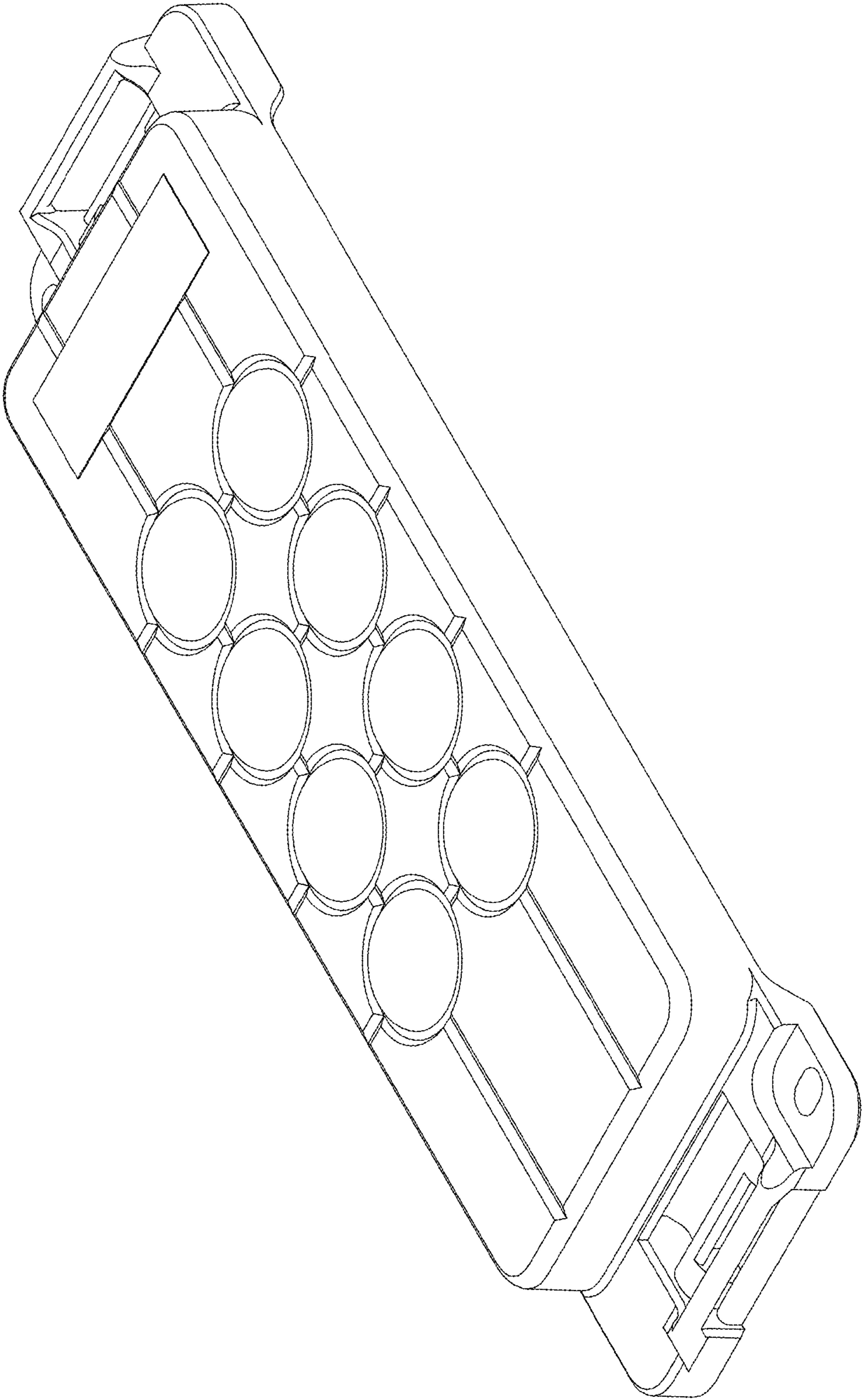


FIG. 1

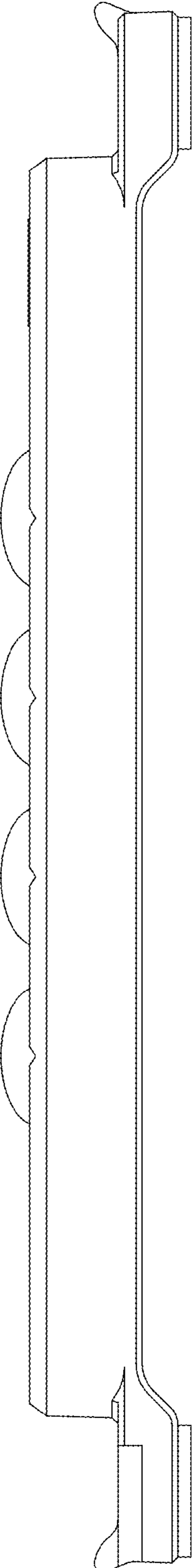


FIG. 2

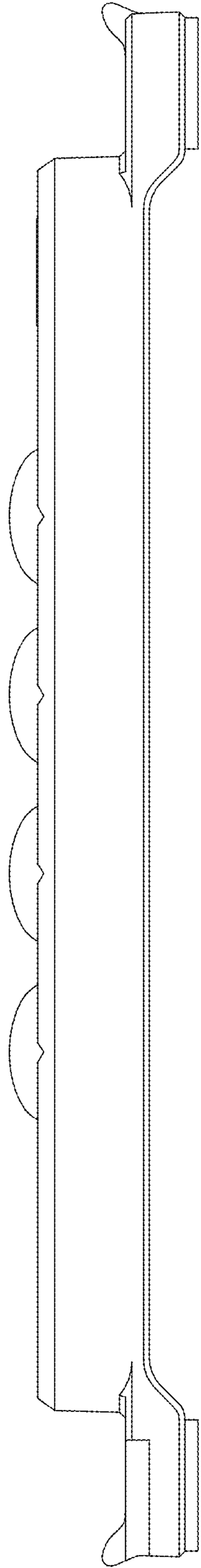


FIG. 3

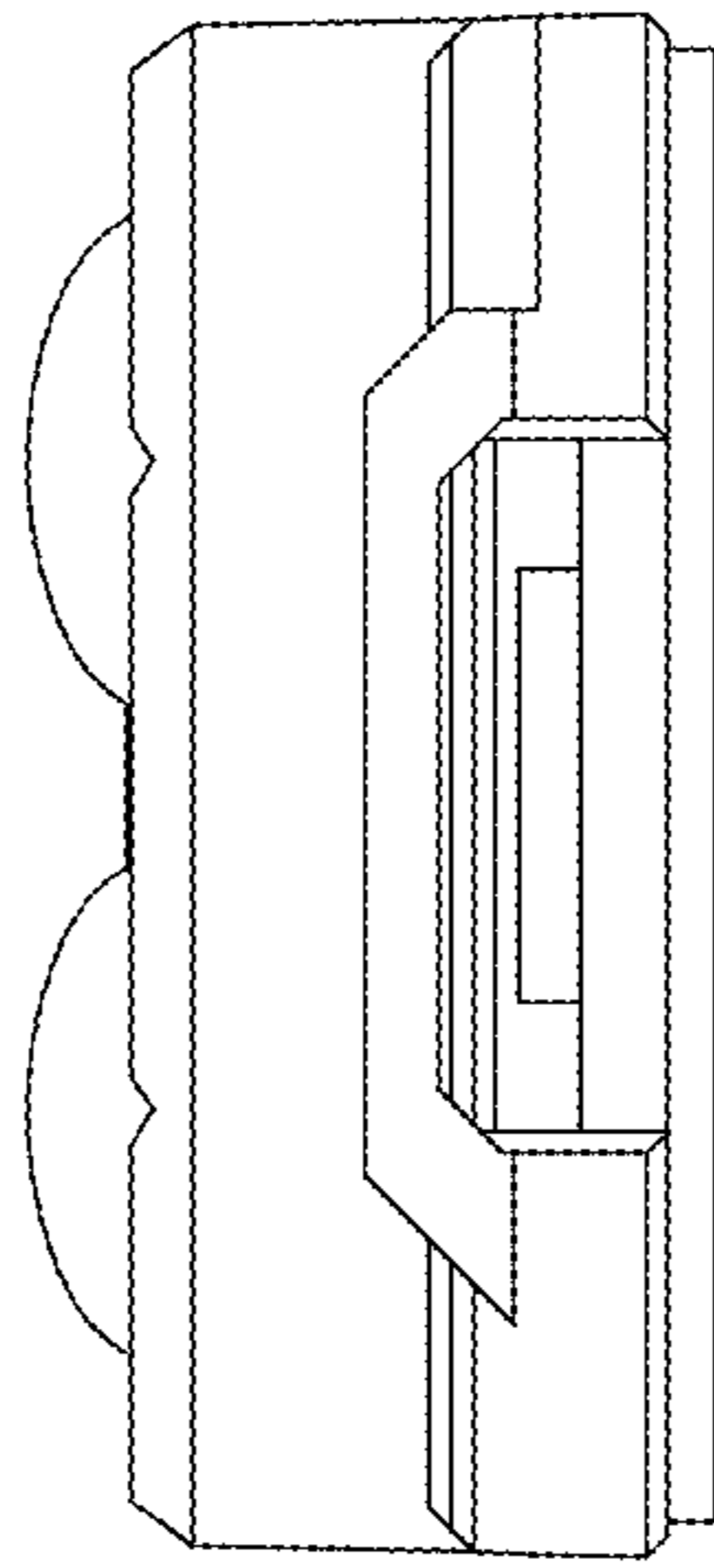


FIG. 4

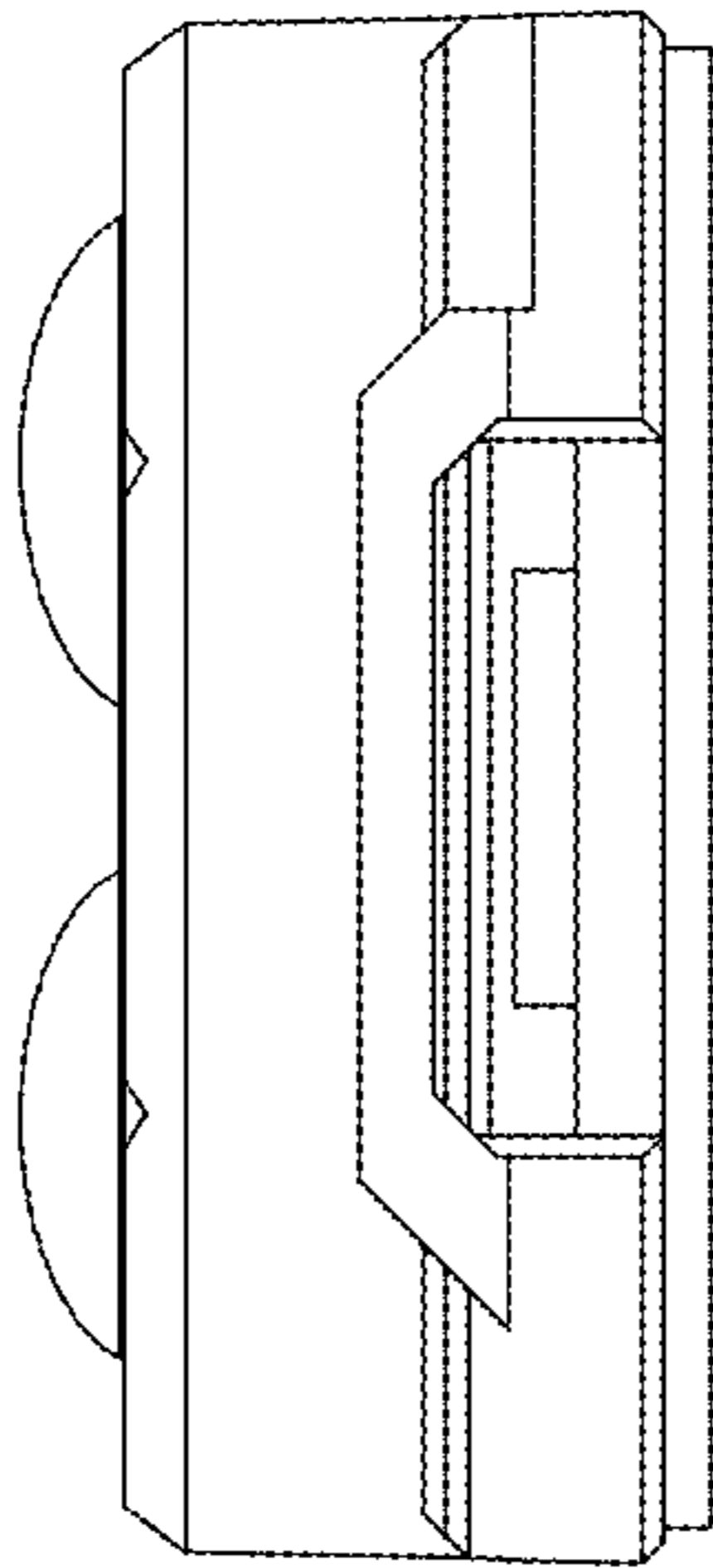


FIG. 5



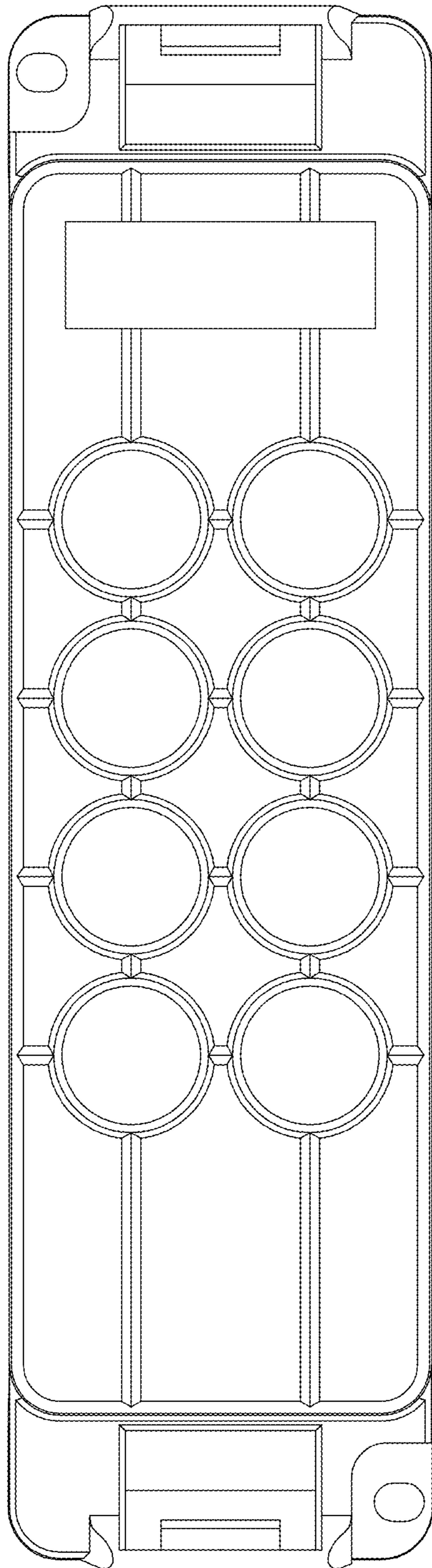


FIG. 6