



US00D768884S

(12) **United States Design Patent**
Kim

(10) **Patent No.:** **US D768,884 S**

(45) **Date of Patent:** **** Oct. 11, 2016**

(54) **PHOTOCATALYTIC UV LAMP MODULE**

D600,836 S * 9/2009 Hanley D26/1
D625,847 S * 10/2010 Maglica D26/1
D626,255 S * 10/2010 Hiratsuka D26/1

(71) Applicant: **Halla Visteon Climate Control Corp.**,
Daedeok-gu, Daejeon (KR)

* cited by examiner

(72) Inventor: **Jae Ho Kim**, Daejeon (KR)

Primary Examiner — Marcus Jackson

(73) Assignee: **HANON SYSTEMS**, Daejeon (KR)

(74) *Attorney, Agent, or Firm* — Dickinson Wright PLLC

(**) Term: **15 Years**

(21) Appl. No.: **29/528,335**

(57) **CLAIM**

I claim the ornamental design for a photocatalytic UV lamp module, as shown herein.

(22) Filed: **May 28, 2015**

(30) **Foreign Application Priority Data**

DESCRIPTION

Apr. 27, 2015 (KR) 30-2015-0021369

(51) **LOC (10) Cl.** **26-04**

(52) **U.S. Cl.**
USPC **D26/1**

(58) **Field of Classification Search**
USPC D26/1-4; 313/313, 315, 316, 317, 318,
313/493; 315/52, 53, 56, 57, 58
CPC H01J 5/48; H01J 5/50; H01J 19/54;
F21V 5/00
See application file for complete search history.

FIG. 1 is a perspective view of a photocatalytic UV lamp module according to the present design;
FIG. 2 is a front view of the photocatalytic UV lamp module according to the present design;
FIG. 3 is a rear view of the photocatalytic UV lamp module according to the present design;
FIG. 4 is a left side view of the photocatalytic UV lamp module according to the present design;
FIG. 5 is a right side view of the photocatalytic UV lamp module according to the present design;
FIG. 6 is a plan view of the photocatalytic UV lamp module according to the present design; and,
FIG. 7 is a bottom view of the photocatalytic UV lamp module according to the present design.

(56) **References Cited**

U.S. PATENT DOCUMENTS

D508,291 S * 8/2005 Janssen D26/1
D548,857 S * 8/2007 Egawa D26/1

1 Claim, 4 Drawing Sheets

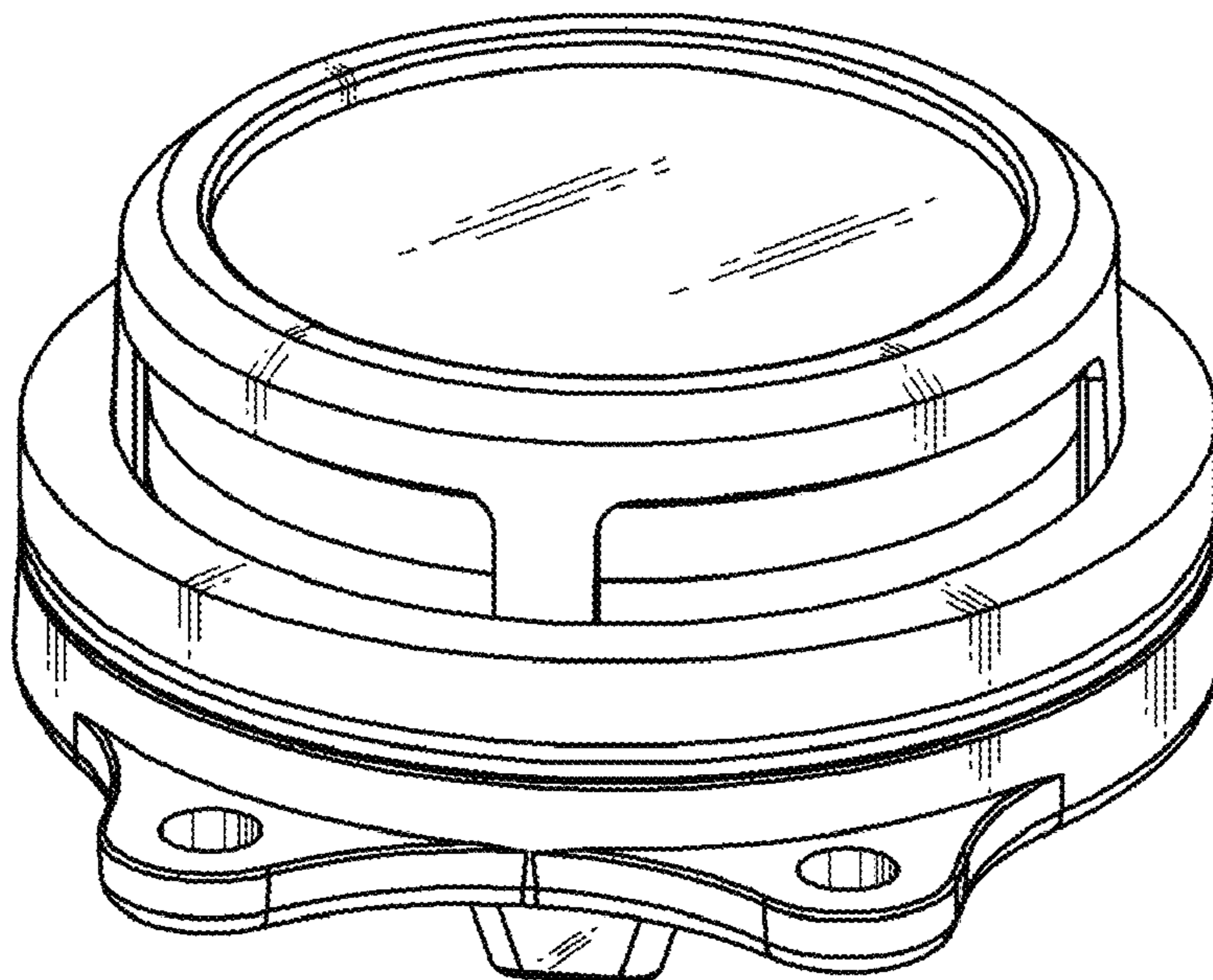


Fig. 1

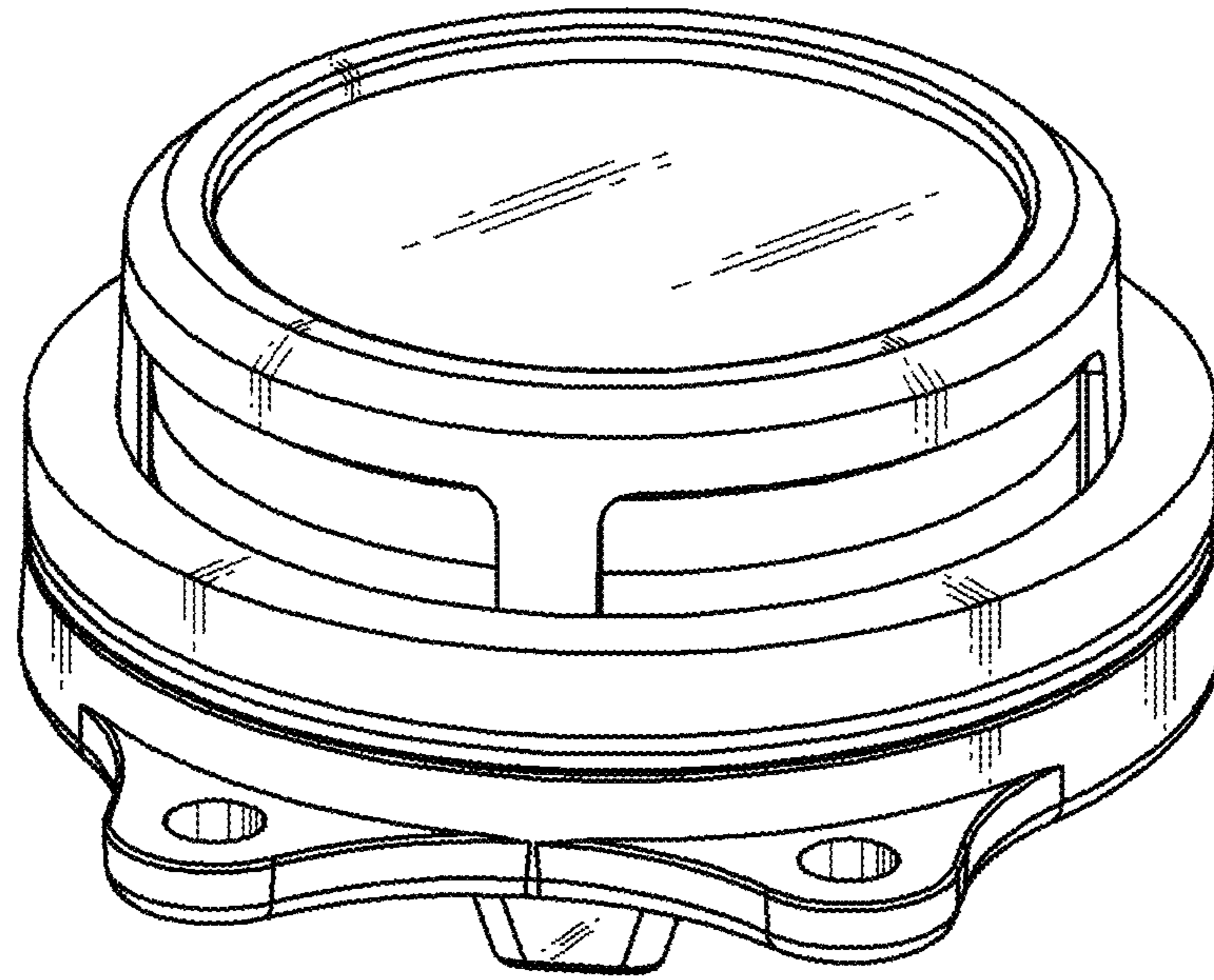


Fig. 2

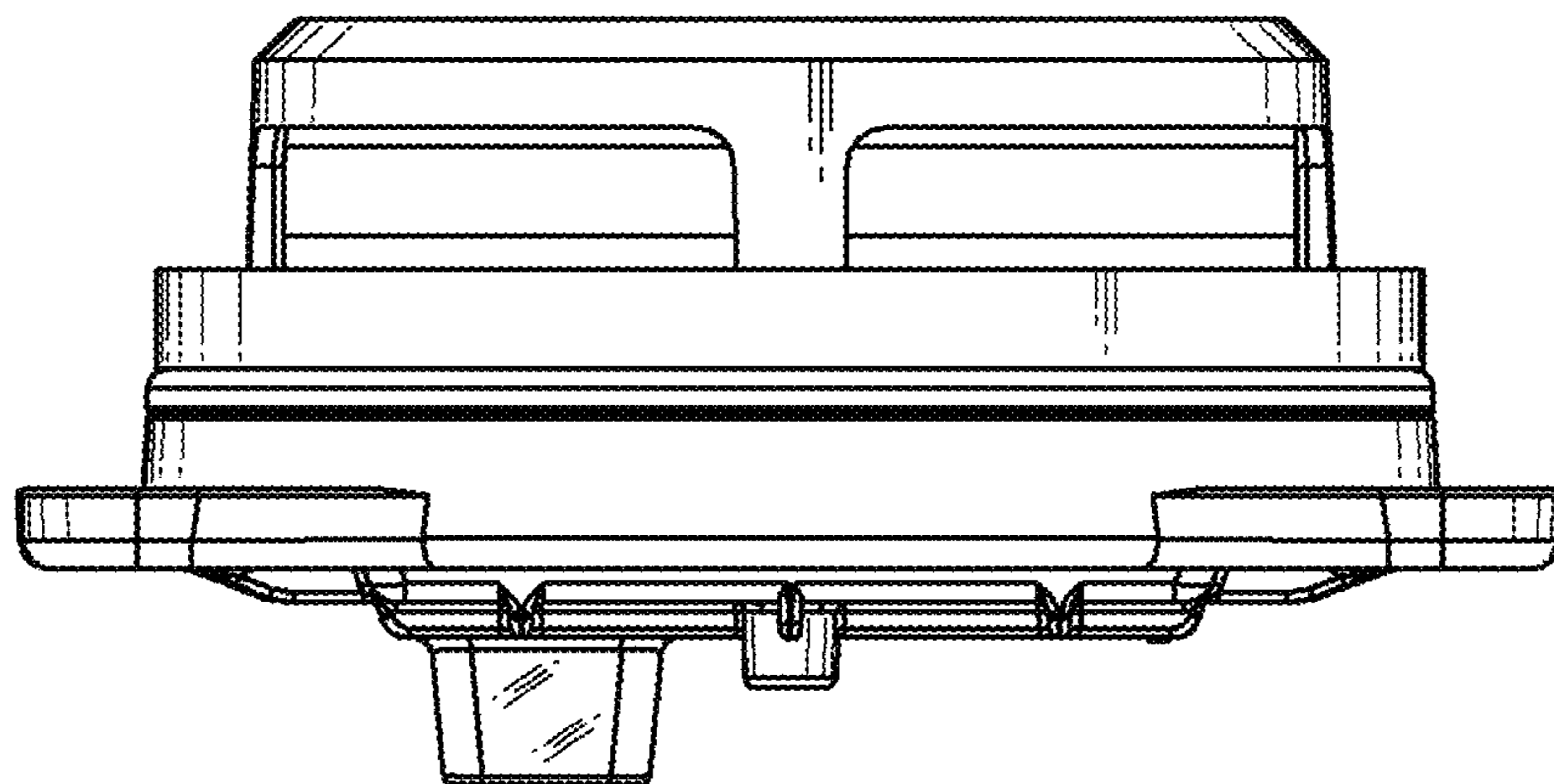


Fig. 3

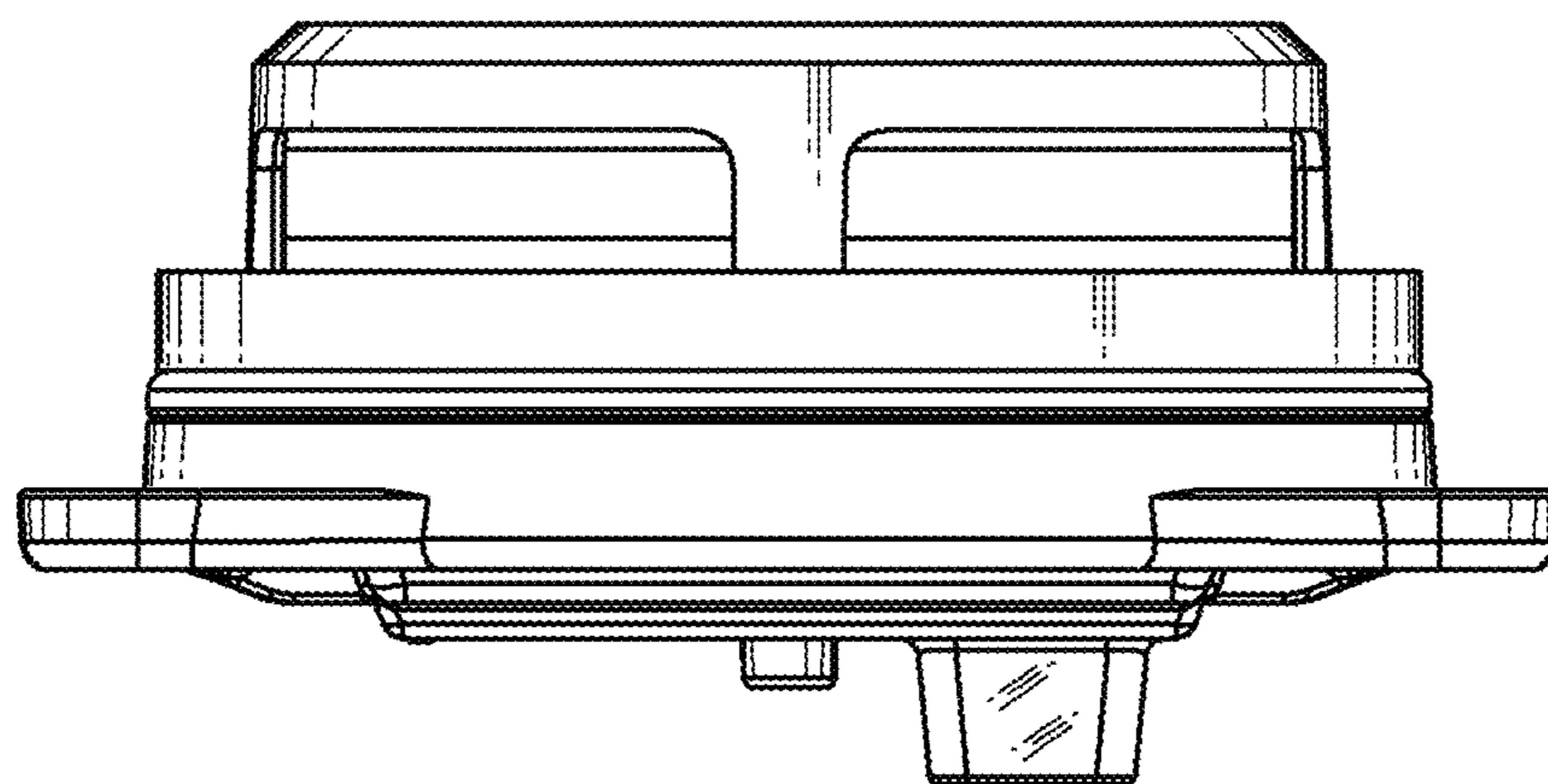


Fig. 4

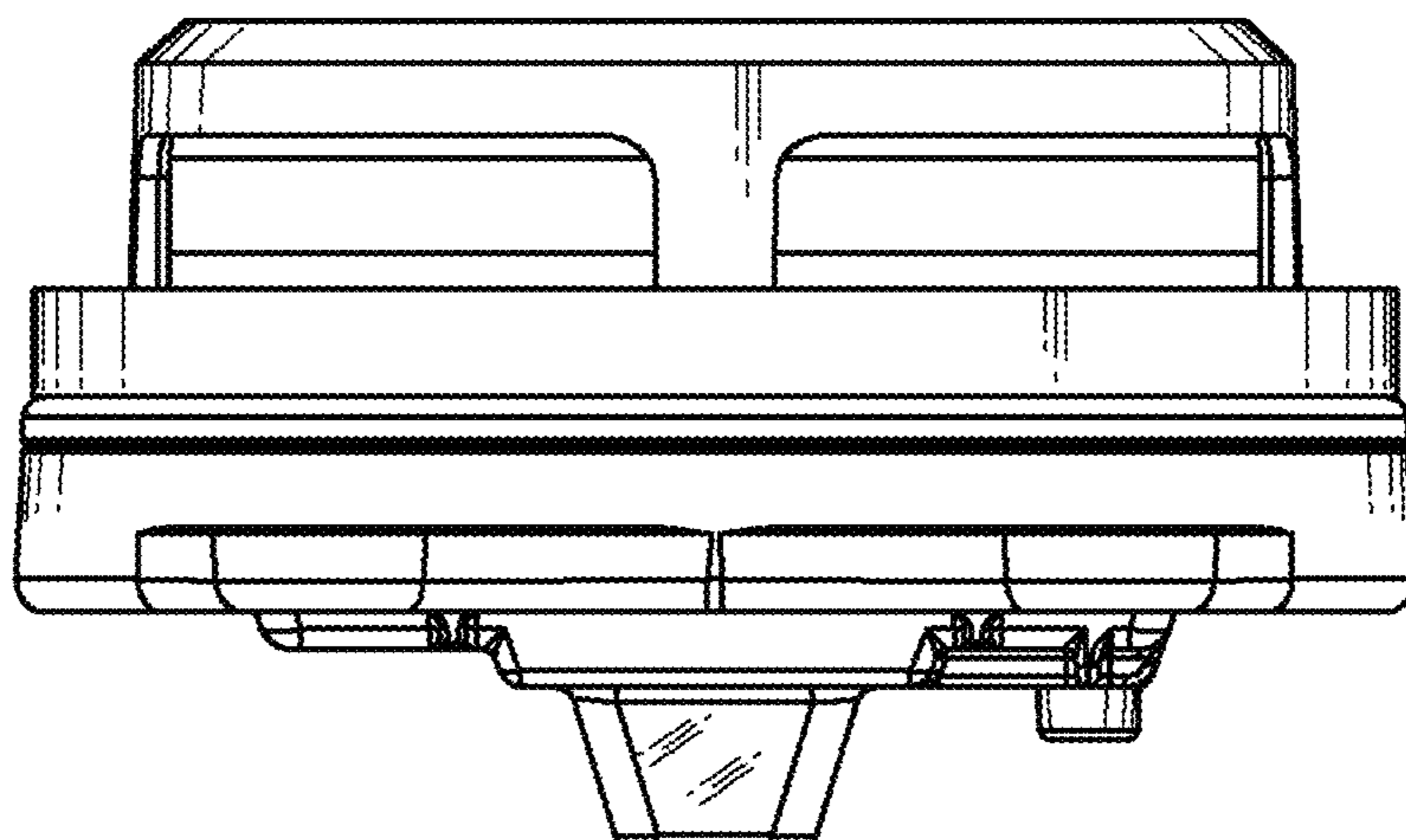


Fig. 5

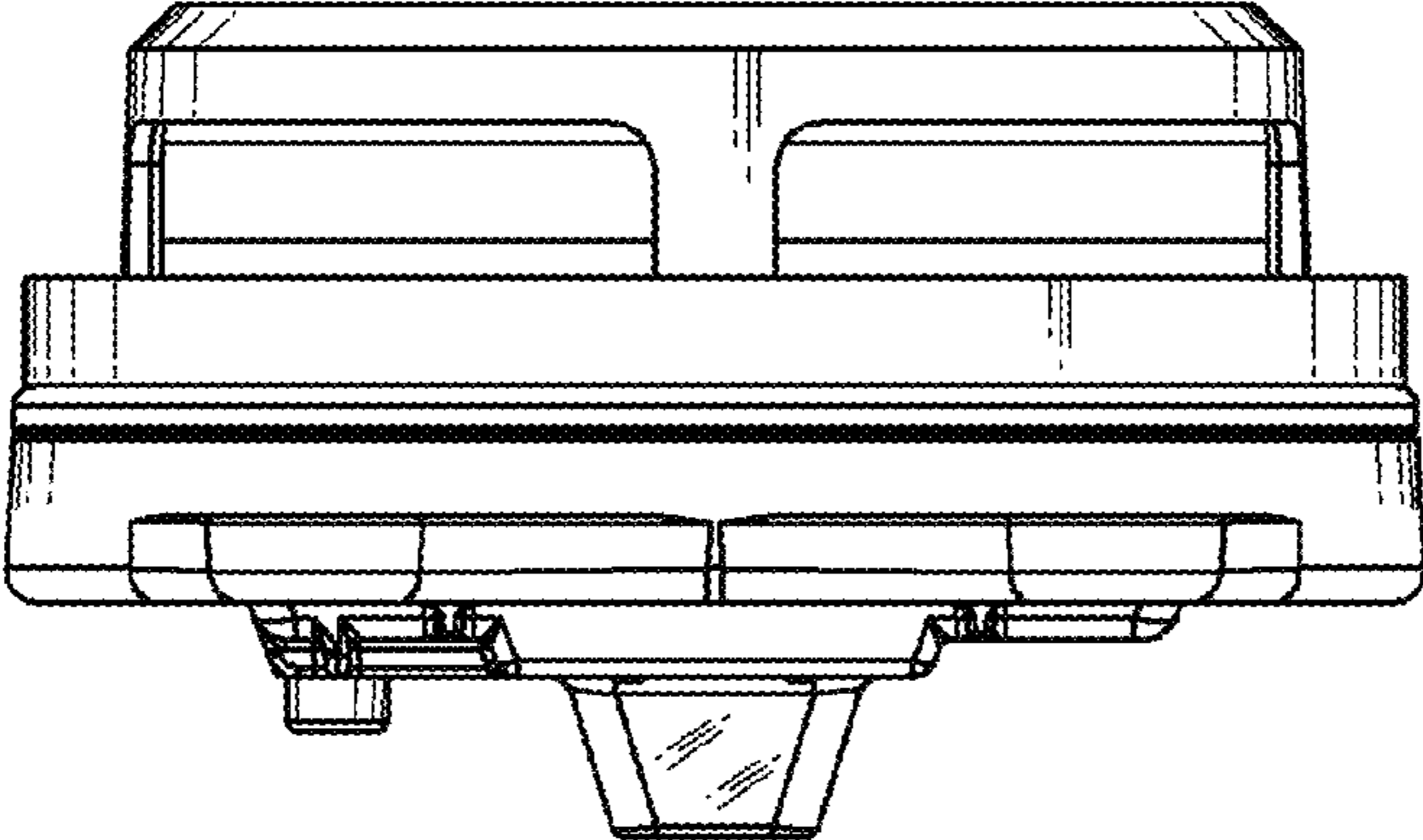


Fig. 6

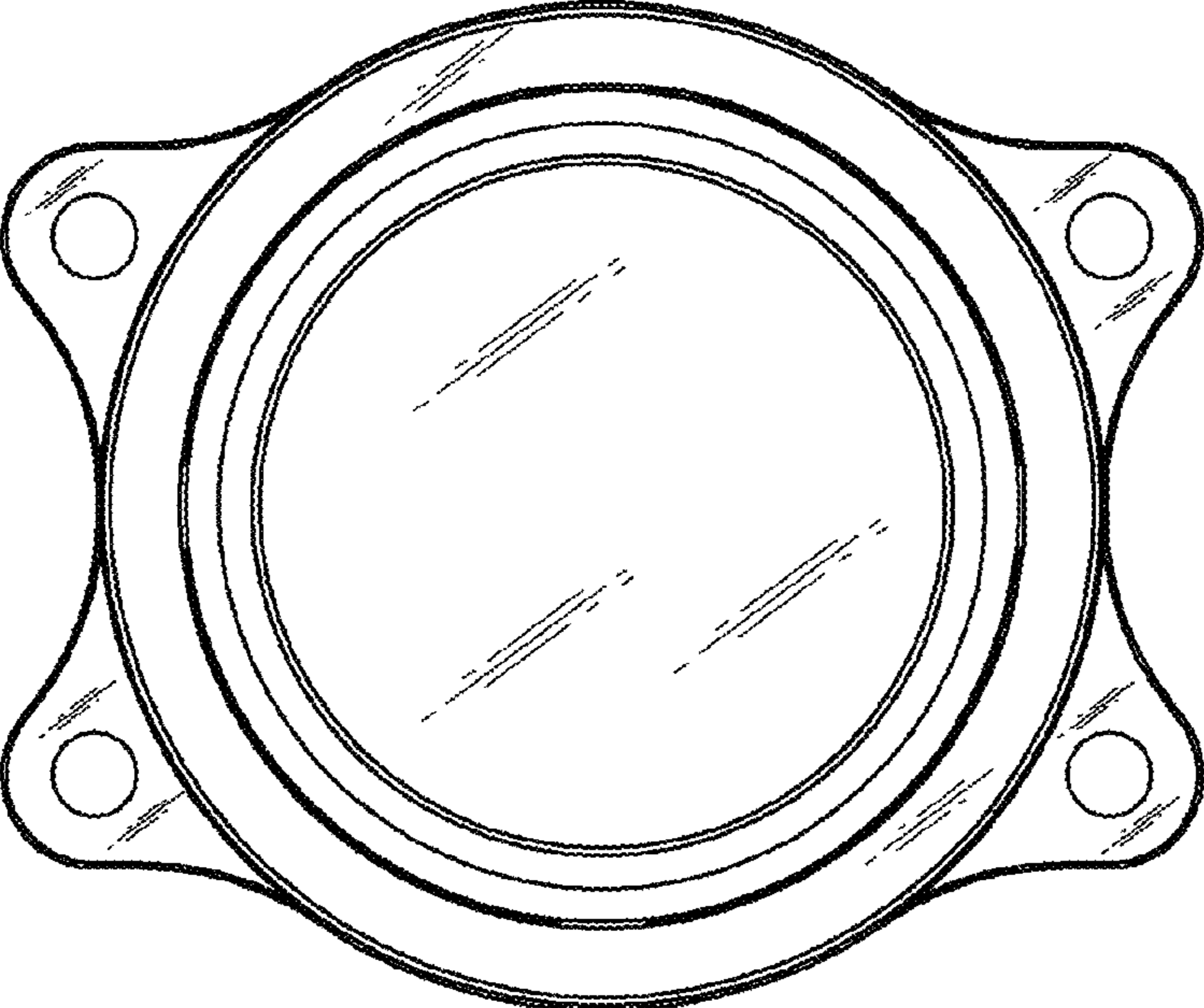


Fig. 7

