



US00D768879S

(12) **United States Design Patent**  
**Mumford, Sr.**

(10) **Patent No.:** **US D768,879 S**  
(45) **Date of Patent:** **\*\* Oct. 11, 2016**

(54) **TILE TRIM**

(71) Applicant: **Drew Donald Mumford, Sr.**, Newport Coast, CA (US)

(72) Inventor: **Drew Donald Mumford, Sr.**, Newport Coast, CA (US)

(73) Assignee: **Columbia Aluminum Products, LLC**, City of Commerce, CA (US)

(\*\*) Term: **15 Years**

(21) Appl. No.: **29/532,554**

(22) Filed: **Jul. 8, 2015**

(51) **LOC (10) Cl.** ..... **25-01**

(52) **U.S. Cl.**  
USPC ..... **D25/119**

(58) **Field of Classification Search**

USPC ..... D25/119, 69, 125, 136, 123, 35, 61,  
D25/121; 52/506.06, 506.07, 716.1, 287.1,  
52/717.05, 717.06

CPC ... E04F 19/062; E04F 19/022; E04F 19/061;  
E04F 19/064; E04F 19/065; E04B 9/008

See application file for complete search history.

(56) **References Cited**

**U.S. PATENT DOCUMENTS**

D275,036 S *	8/1984	Lloyd-Jones	.....	D25/119
6,238,773 B1	5/2001	Schluter		
6,357,192 B1	3/2002	Schluter		
D513,535 S *	1/2006	Fischer	.....	D25/119
D529,630 S *	10/2006	Zarb	.....	D25/119
D563,567 S *	3/2008	Fischer	.....	D25/119
D711,554 S *	8/2014	Singh	.....	D25/119
D711,556 S *	8/2014	Singh	.....	D25/119
D742,546 S *	11/2015	Singh	.....	D25/119
D742,547 S *	11/2015	Singh	.....	D25/119
D750,806 S *	3/2016	Singh	.....	D25/119
2001/0017015 A1	8/2001	Schluter		

\* cited by examiner

*Primary Examiner* — Cynthia Ramirez

*Assistant Examiner* — Gino Colan

(74) *Attorney, Agent, or Firm* — Hankin Patent Law APC; Jimmy Sauz; Kevin Schraven

(57) **CLAIM**

The ornamental design for a tile trim, as shown and described.

**DESCRIPTION**

FIG. 1 is a top perspective view of a first embodiment of a tile trim, showing my new design.

FIG. 2 is a front elevational view thereof.

FIG. 3 is a rear elevational view thereof.

FIG. 4 is a left side elevational view thereof.

FIG. 5 is a right side elevational view thereof.

FIG. 6 is a top plan view thereof.

FIG. 7 is a bottom plan view thereof.

FIG. 8 is a top perspective view of a second embodiment of a tile trim, showing my new design.

FIG. 9 is a front elevational view thereof.

FIG. 10 is a rear elevational view thereof.

FIG. 11 is a left side elevational view thereof.

FIG. 12 is a right side elevational view thereof.

FIG. 13 is a top plan view thereof; and,

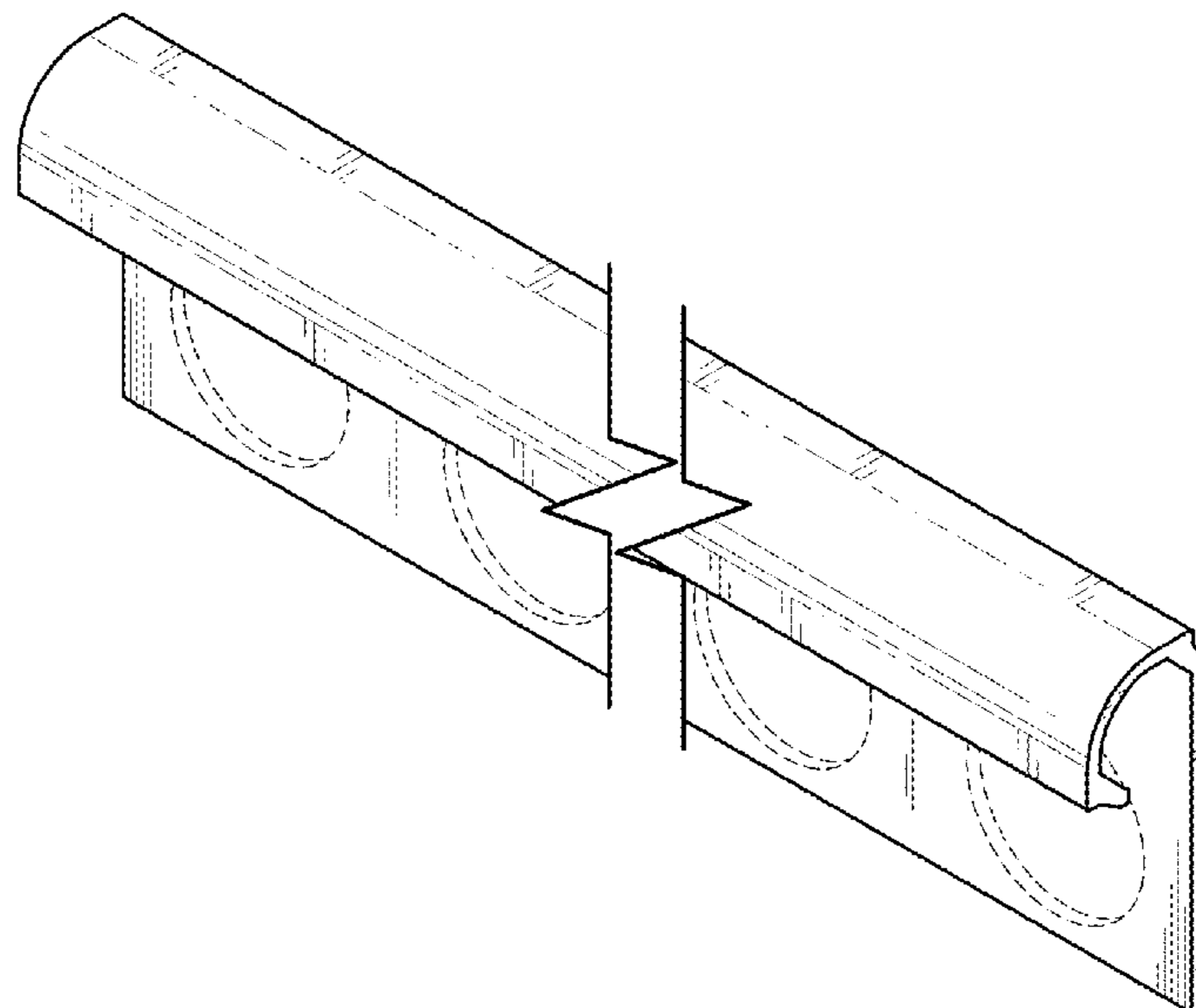
FIG. 14 is a bottom plan view thereof.

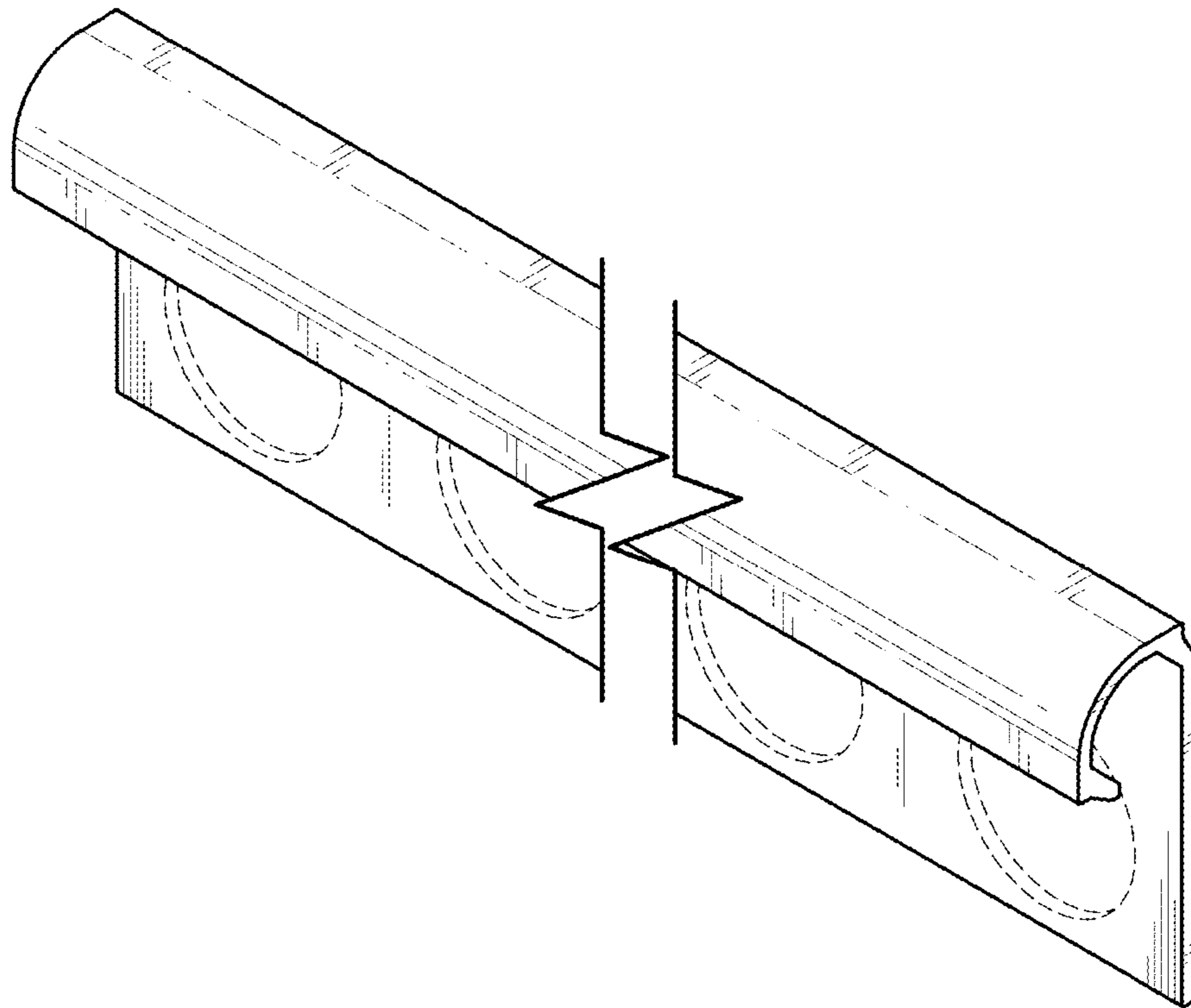
The broken lines showing holes in the tile trim are for the purpose of illustrating environmental structure and unclaimed subject matter and form no part of the claimed design.

The tile trim is shown with a symbolic break in its length.

The appearance of any portion of the article between the break lines forms no part of the claimed design.

**1 Claim, 6 Drawing Sheets**





*FIG. 1*

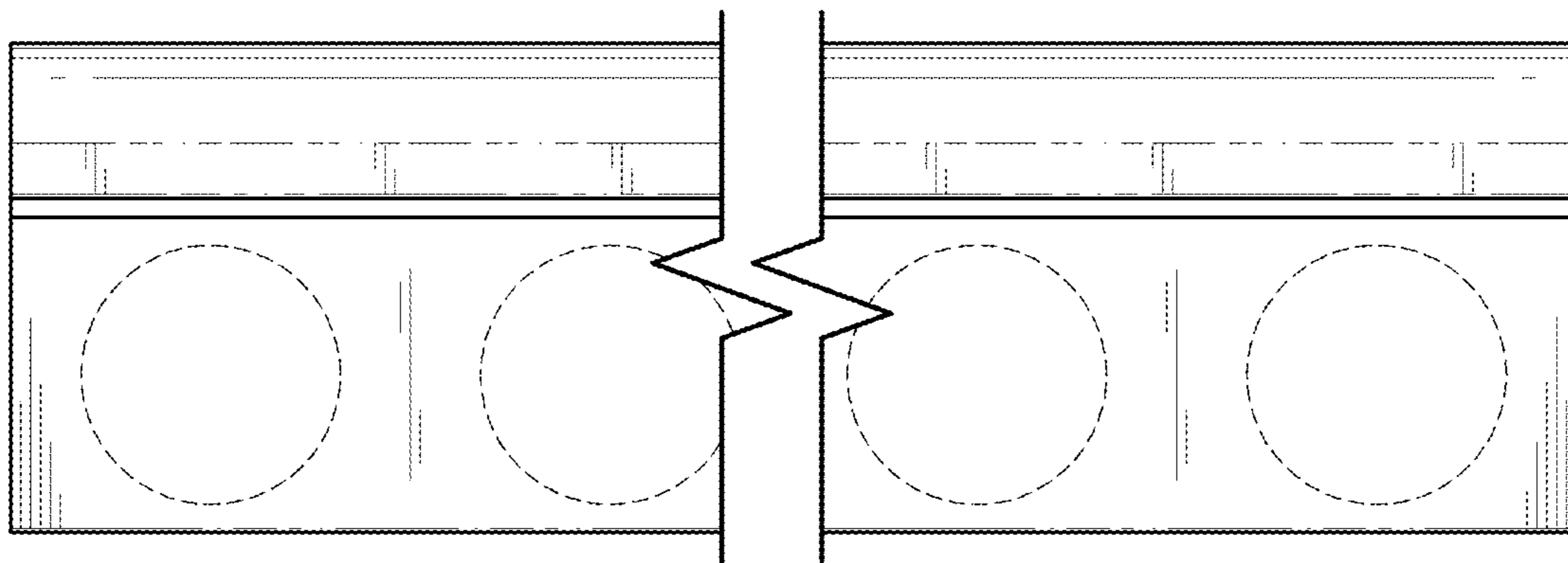
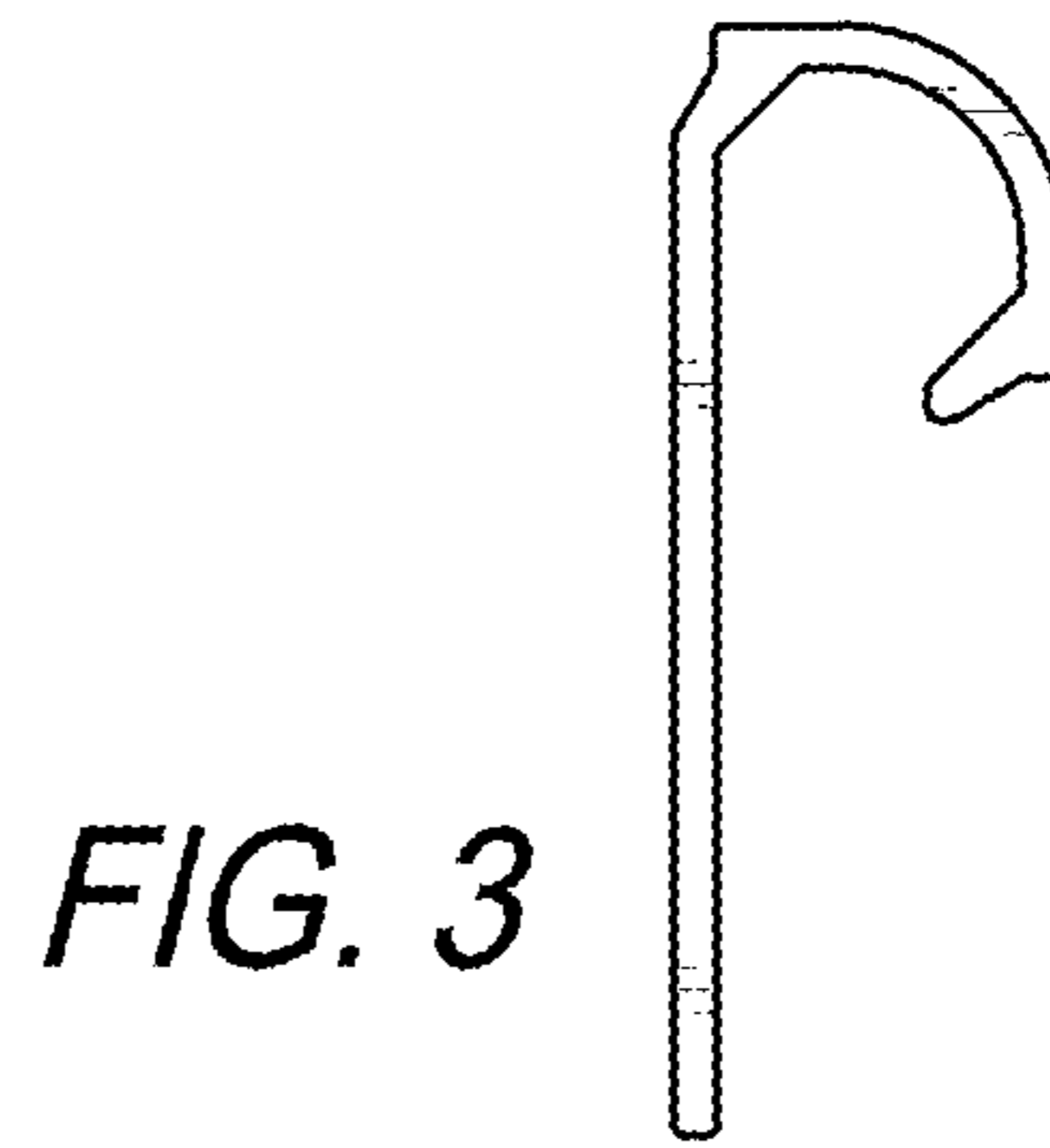
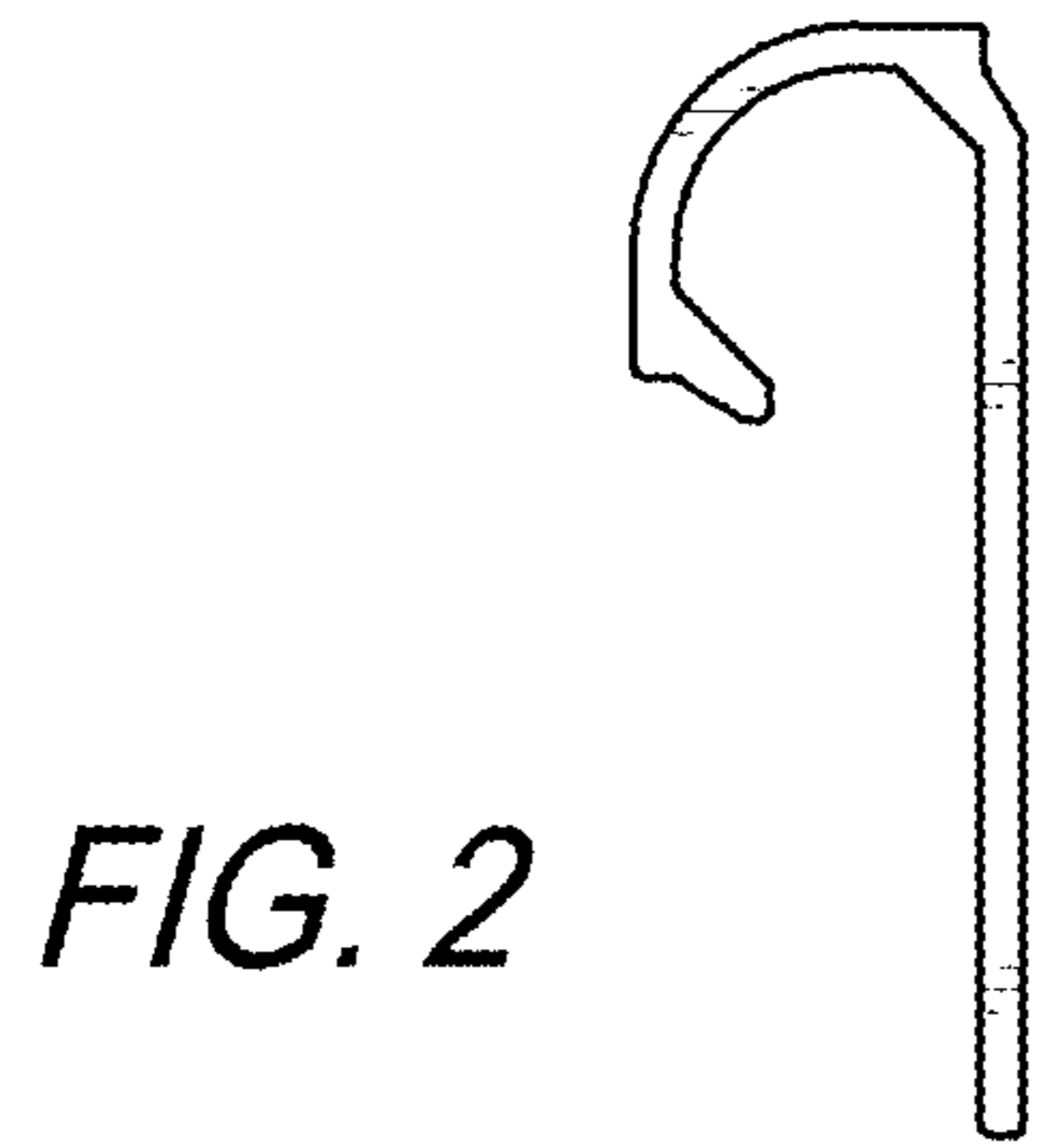


FIG. 4

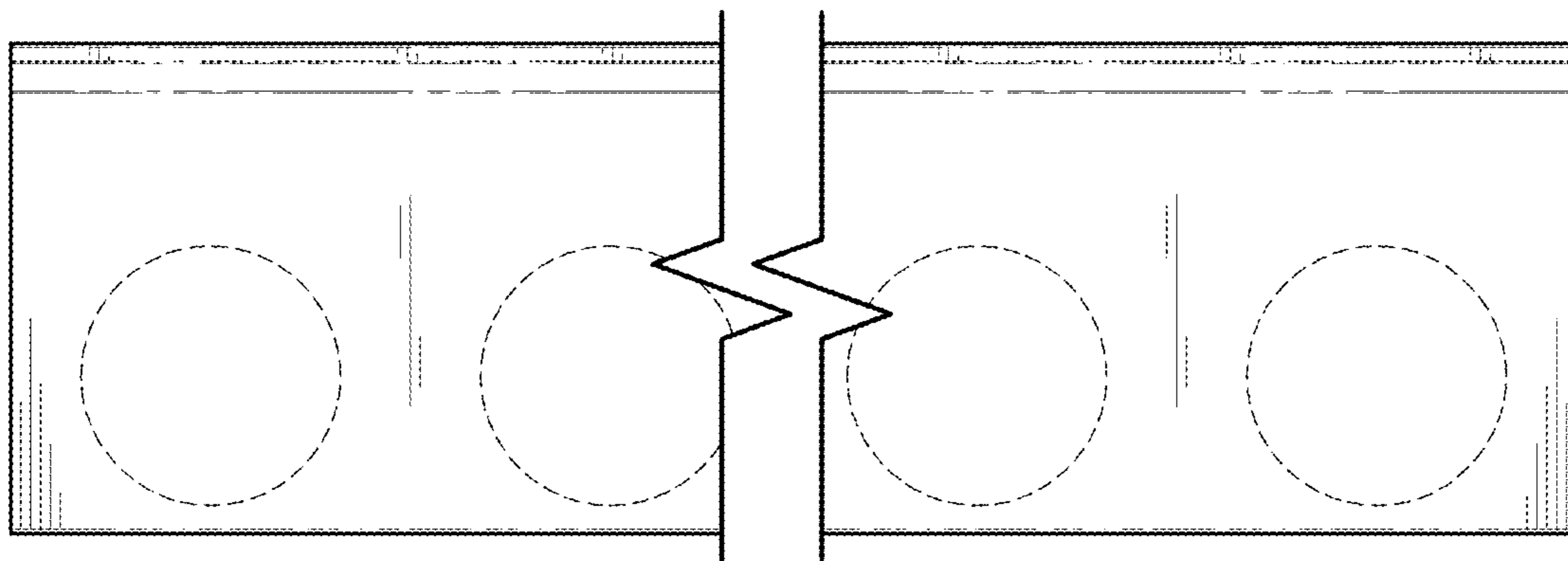
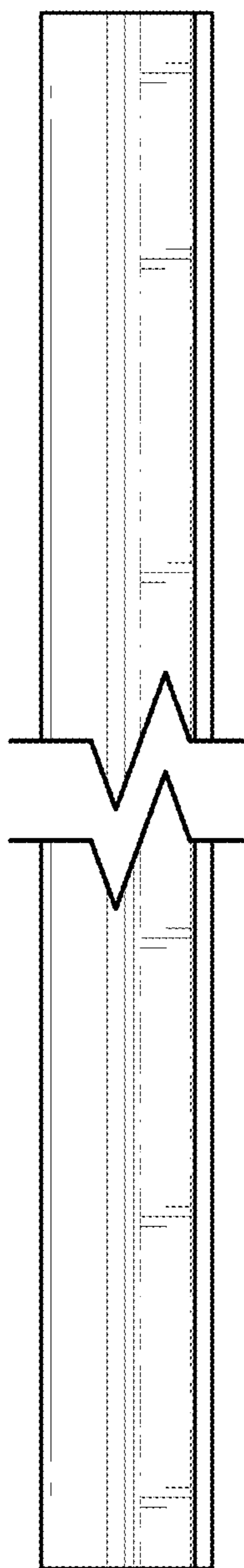
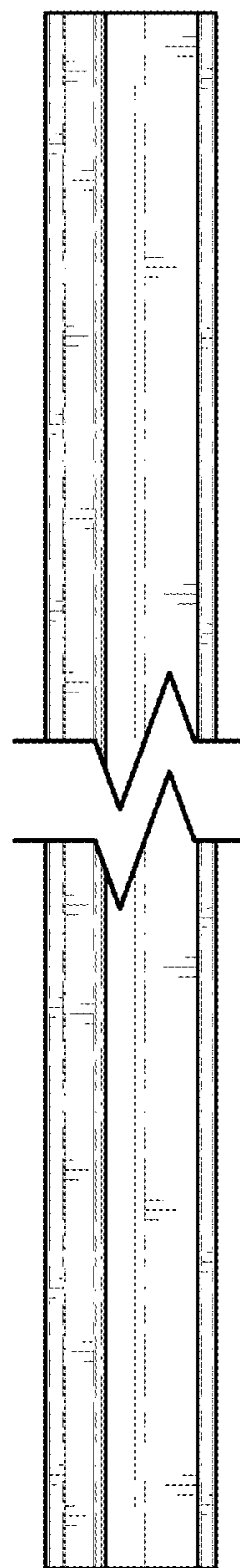


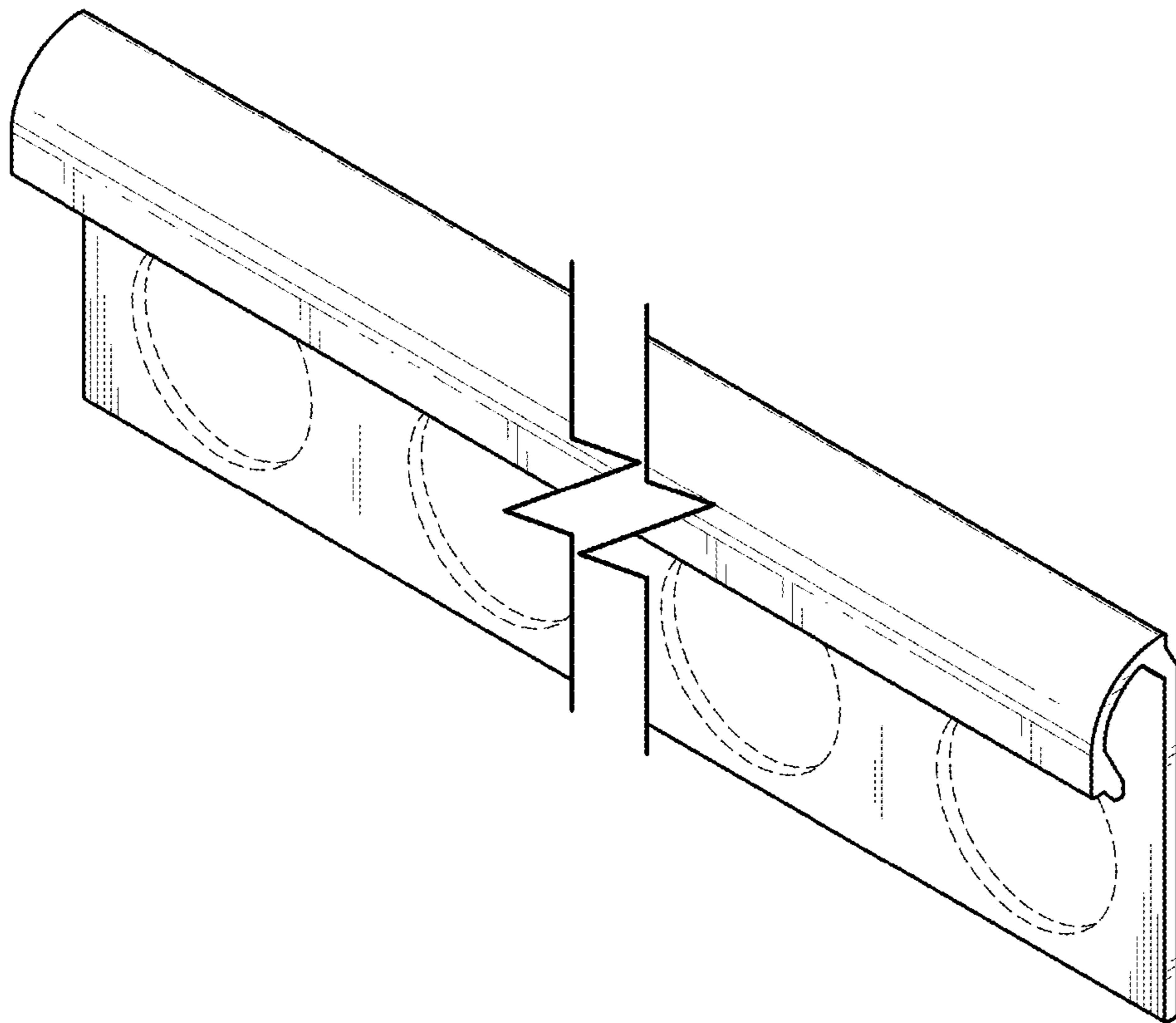
FIG. 5



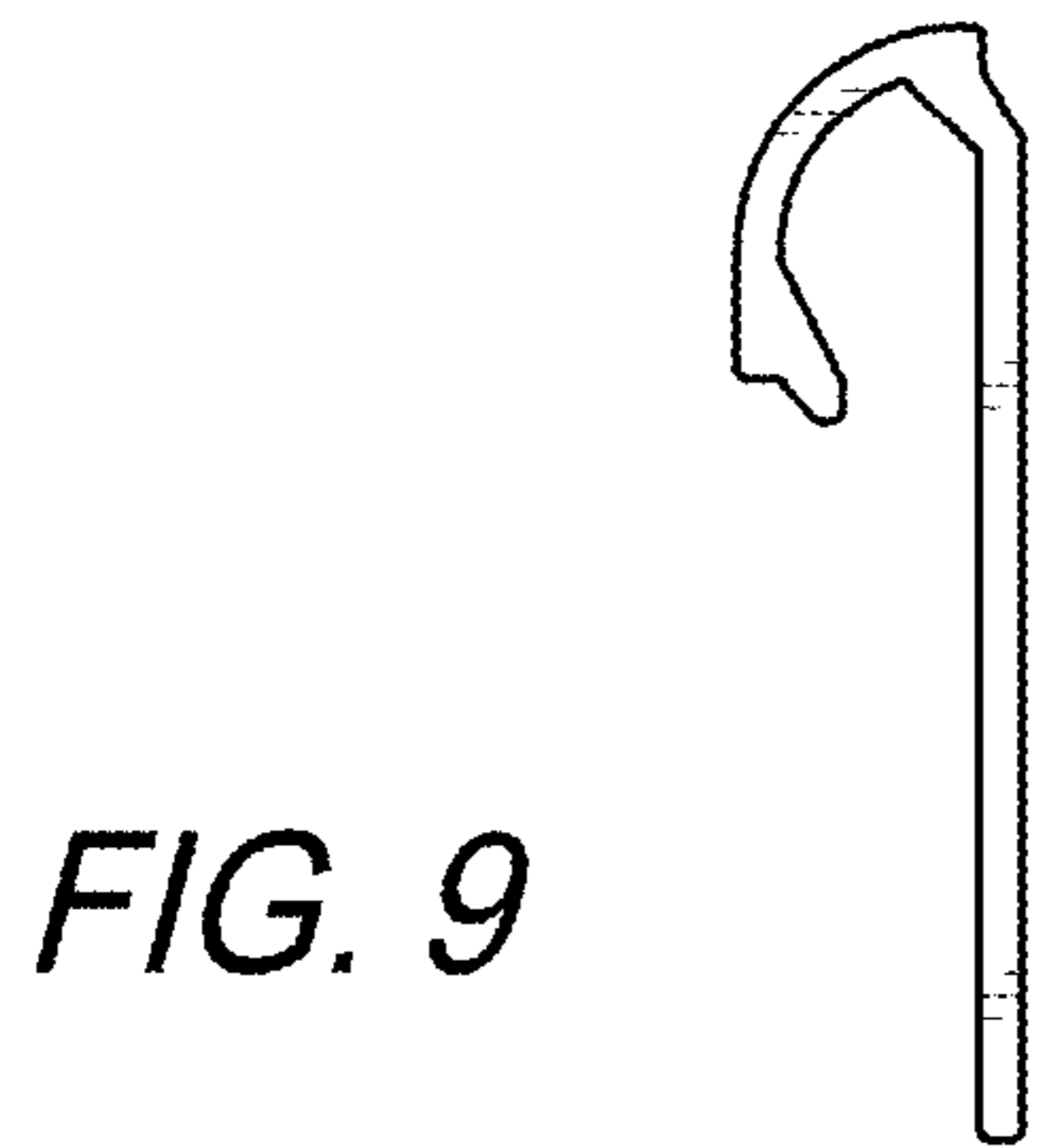
*FIG. 6*



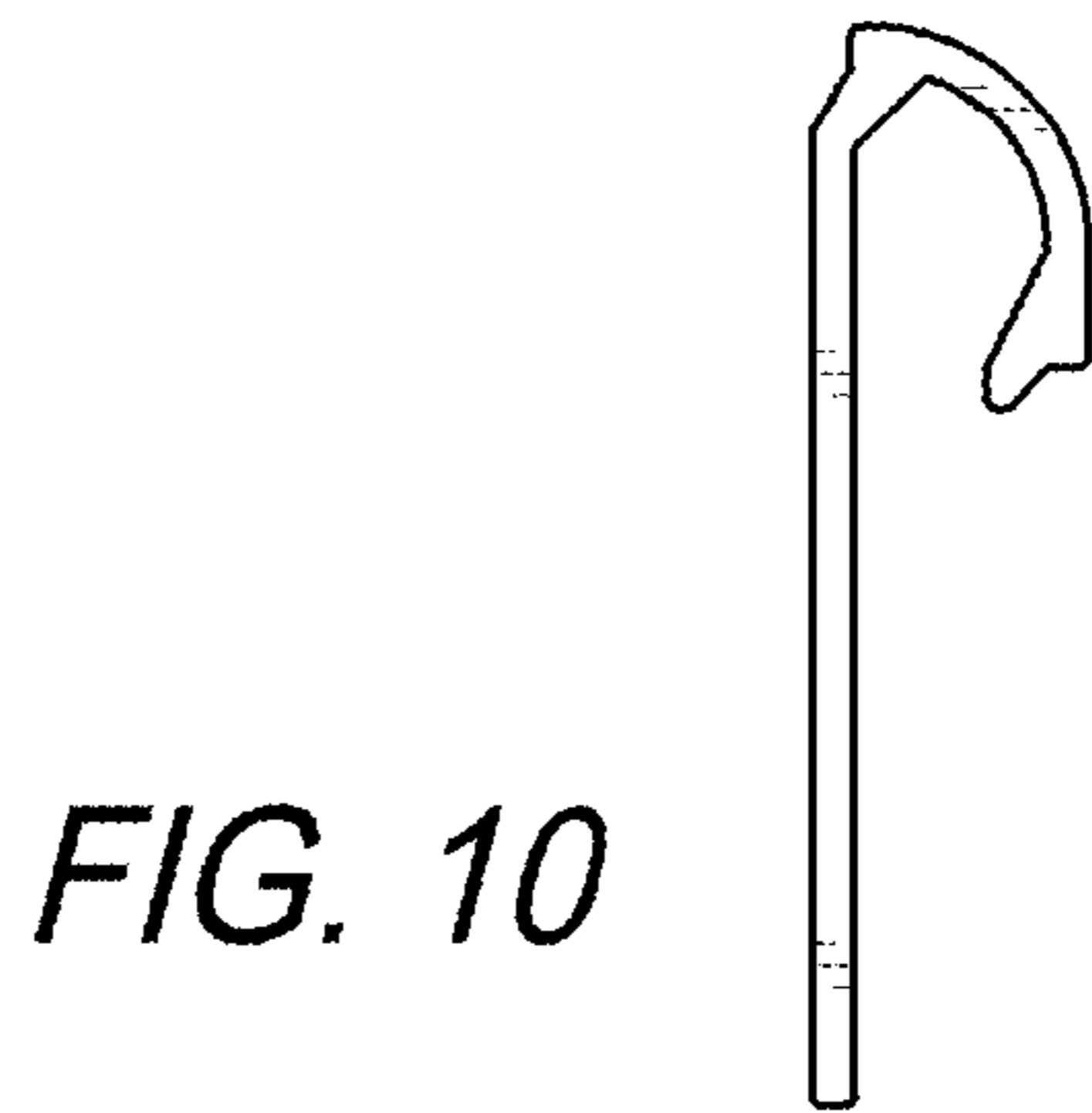
*FIG. 7*



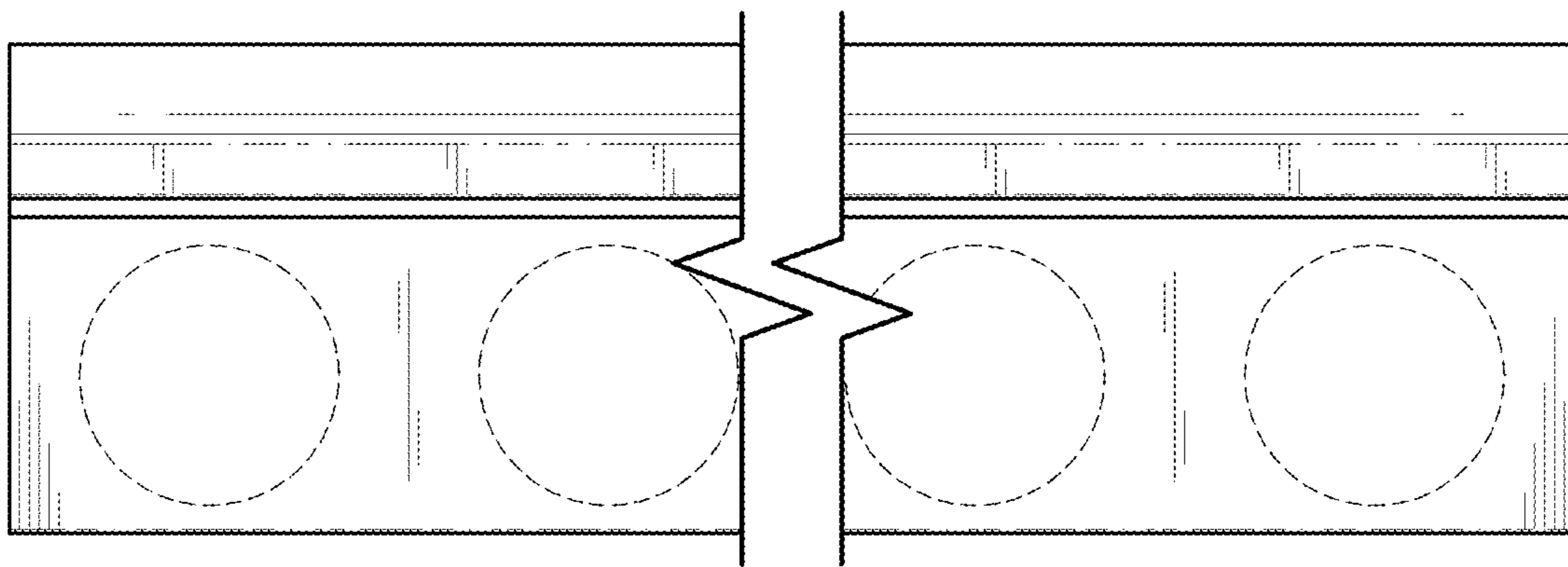
*FIG. 8*



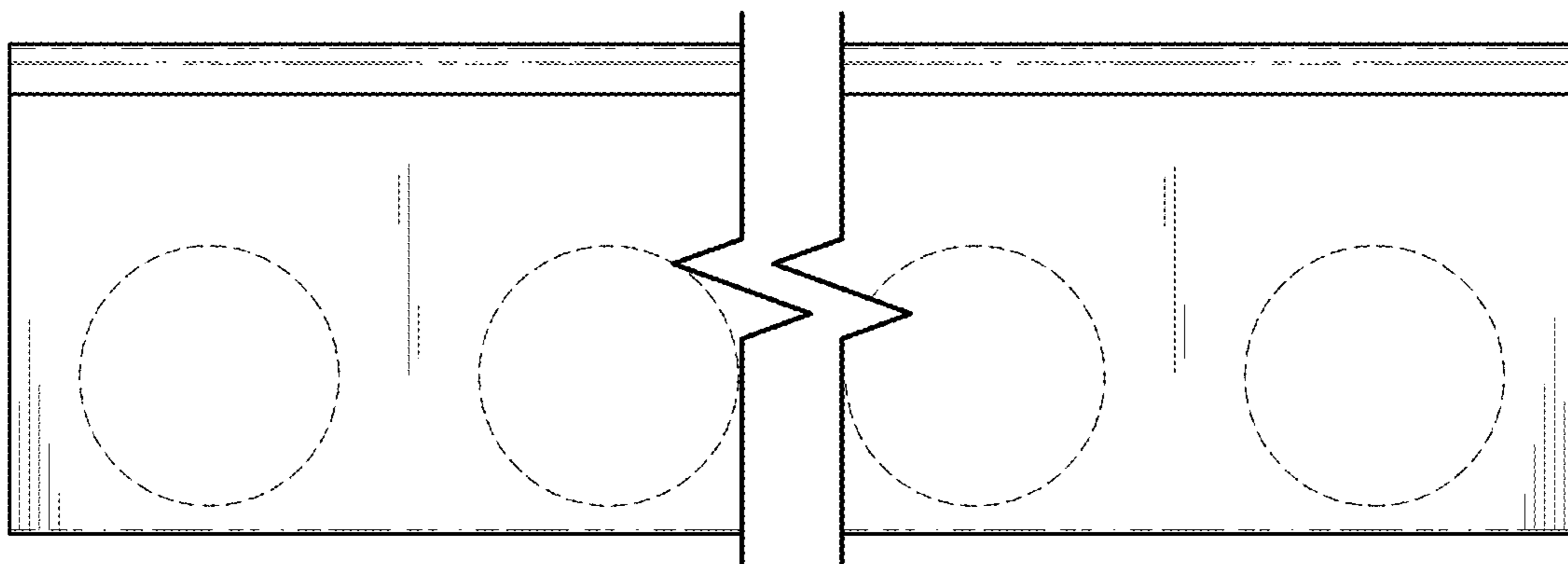
*FIG. 9*



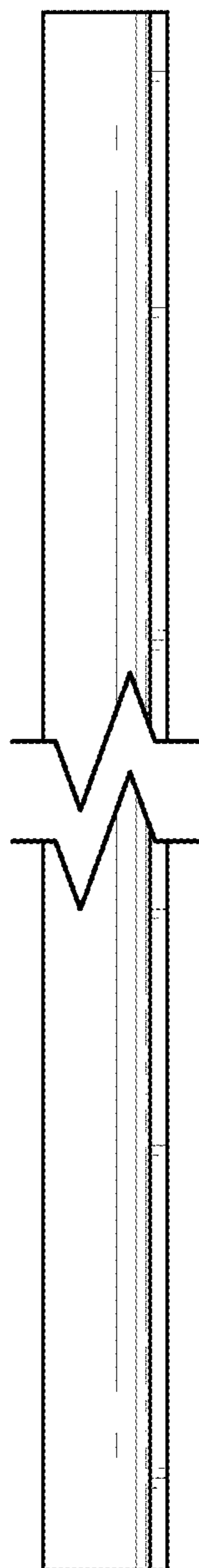
*FIG. 10*



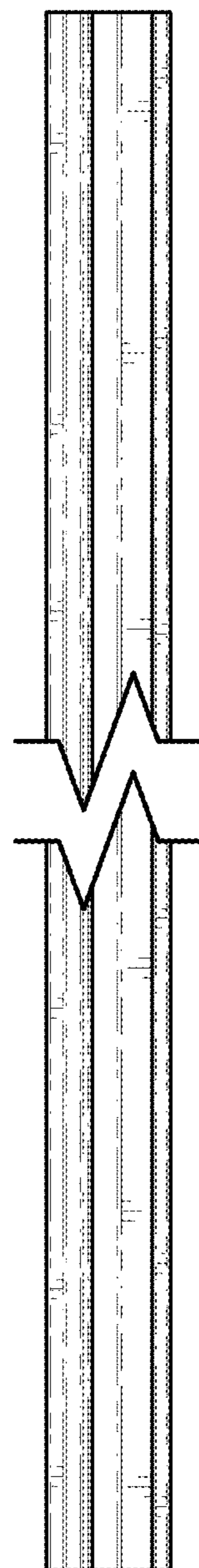
*FIG. 11*



*FIG. 12*



*FIG. 13*



*FIG. 14*