

US00D768878S

(12) **United States Design Patent** (10) **Patent No.:** **US D768,878 S**  
**Mumford, Sr.** (45) **Date of Patent:** **\*\* Oct. 11, 2016**

(54) **TILE TRIM**  
(71) Applicant: **Drew Donald Mumford, Sr.**, Newport Coast, CA (US)  
(72) Inventor: **Drew Donald Mumford, Sr.**, Newport Coast, CA (US)

(73) Assignee: **Columbia Aluminum Products, LLC**, City of Commerce, CA (US)

(\*\*) Term: **15 Years**

(21) Appl. No.: **29/532,547**

(22) Filed: **Jul. 8, 2015**

(51) **LOC (10) Cl.** ..... **25-01**

(52) **U.S. Cl.**  
USPC ..... **D25/119**

(58) **Field of Classification Search**  
USPC ..... D25/119, 69, 125, 136, 123, 35, 61, D25/121; 52/506.06, 506.07, 716.1, 287.1, 52/717.05, 717.06  
CPC ... E04F 19/062; E04F 19/022; E04F 19/061; E04F 19/064; E04F 19/065; E04B 9/008  
See application file for complete search history.

(56) **References Cited**

**U.S. PATENT DOCUMENTS**

D47,727 S \* 8/1915 Heulings ..... D25/119  
D47,728 S \* 8/1915 Heulings ..... D25/119  
D47,729 S \* 8/1915 Heulings ..... D25/119  
D110,435 S \* 7/1938 Lowry ..... D25/119  
6,238,773 B1 5/2001 Schluter  
6,357,192 B1 3/2002 Schluter  
D462,787 S \* 9/2002 Scalzott ..... D25/119  
D518,186 S \* 3/2006 Zarb ..... D25/119

7,578,106 B2 \* 8/2009 Burns ..... E04B 9/30  
52/506.06  
D668,352 S \* 10/2012 Field ..... D25/119  
D693,483 S \* 11/2013 Krieger ..... D25/119  
2001/0017015 A1 8/2001 Schluter  
2015/0000219 A1\* 1/2015 Yarmo ..... E04F 13/0733  
52/309.4

\* cited by examiner

*Primary Examiner* — Cynthia Ramirez

*Assistant Examiner* — Gino Colan

(74) *Attorney, Agent, or Firm* — Hankin Patent Law APC; Jimmy Sauz; Kevin Schraven

(57) **CLAIM**

The ornamental design for a tile trim, as shown and described.

**DESCRIPTION**

FIG. 1 is a top perspective view of a tile trim, showing my new design.

FIG. 2 is a front elevational view thereof.

FIG. 3 is a rear elevational view thereof.

FIG. 4 is a left side elevational view thereof.

FIG. 5 is a right side elevational view thereof.

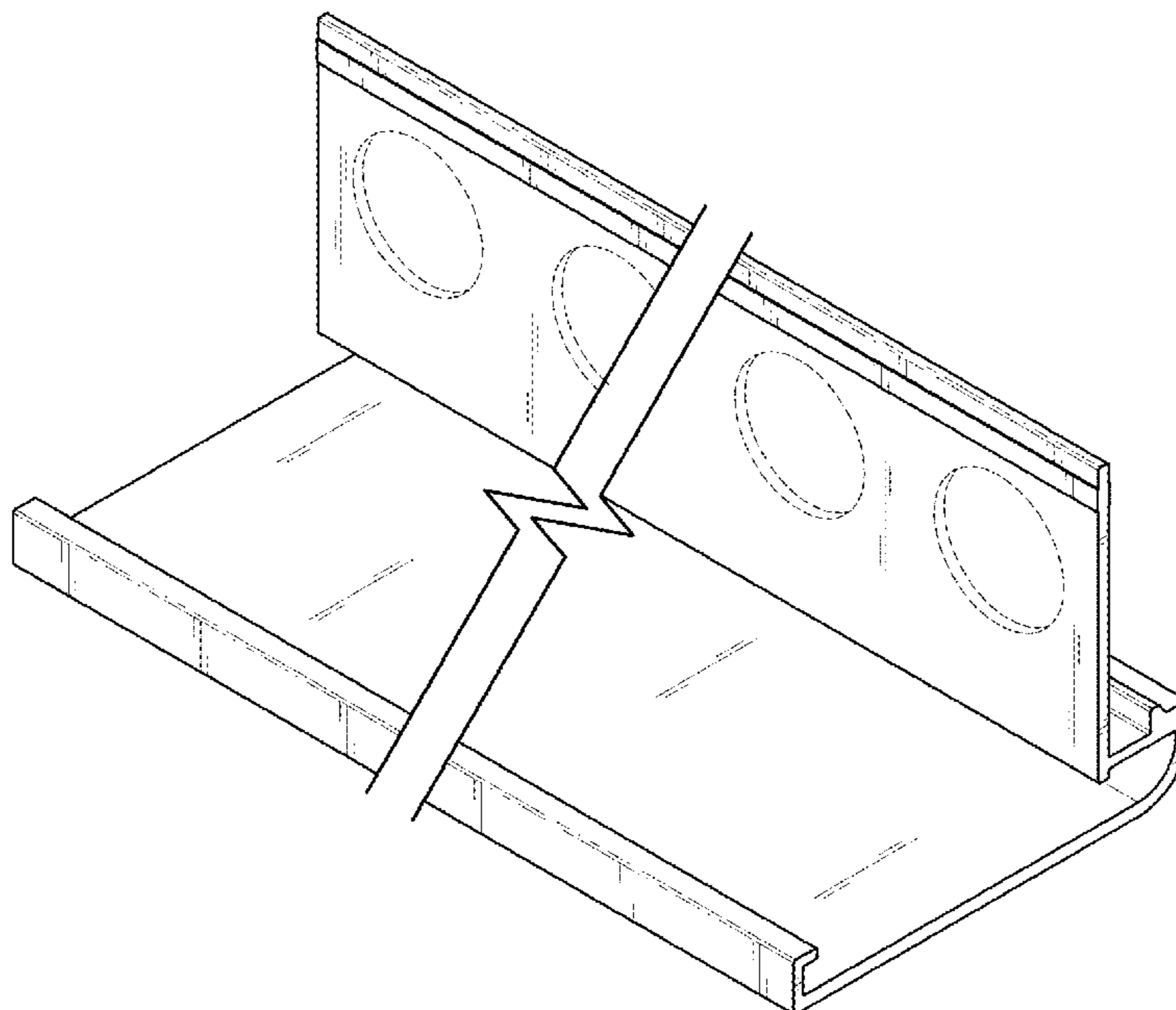
FIG. 6 is a top plan view thereof; and,

FIG. 7 is a bottom plan view thereof.

The broken lines showing holes in the tile trim are for the purpose of illustrating environmental structure and unclaimed subject matter and form no part of the claimed design.

The tile trim is shown with a symbolic break in its length. The appearance of any portion of the article between the break lines forms no part of the claimed design.

**1 Claim, 4 Drawing Sheets**



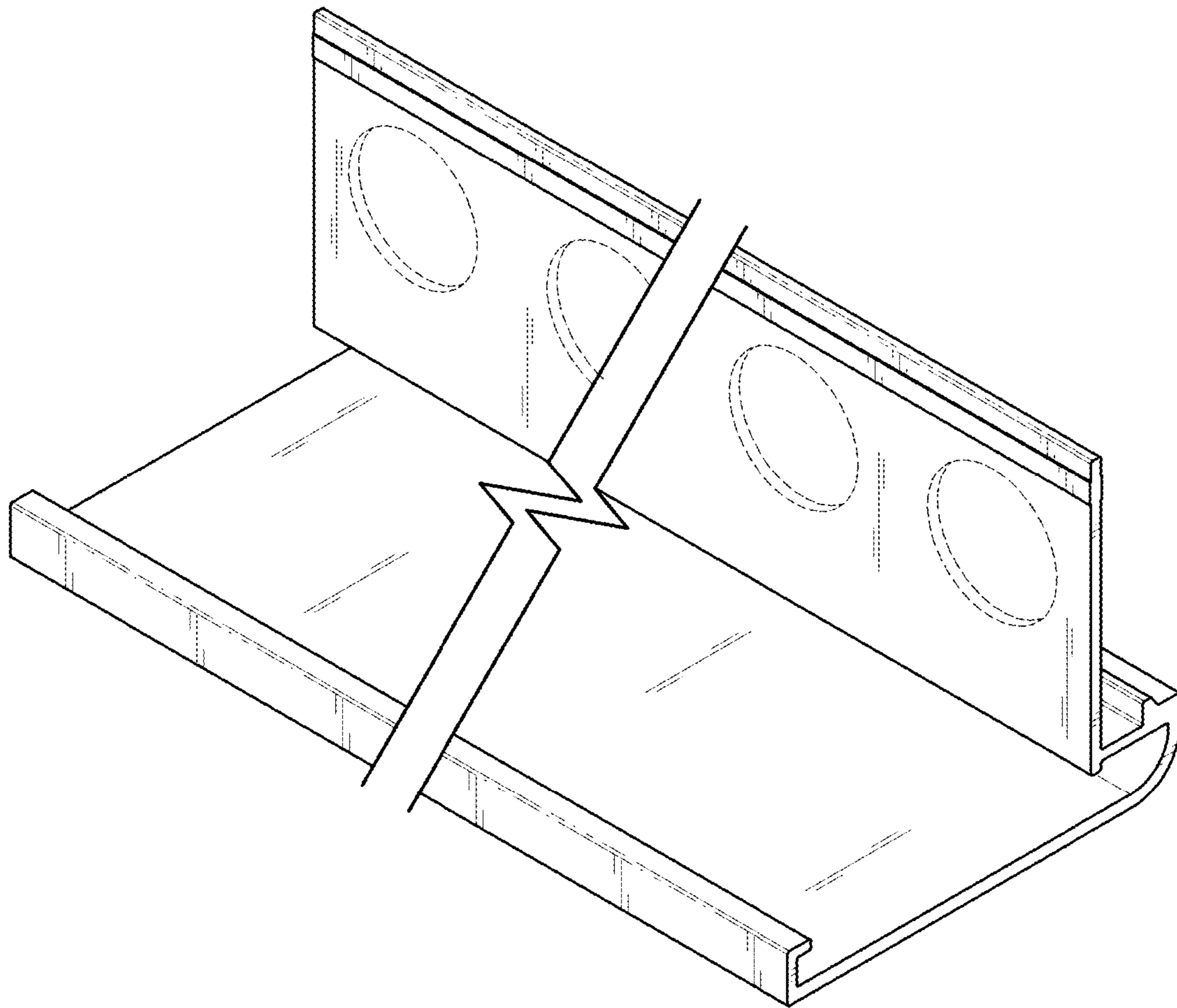
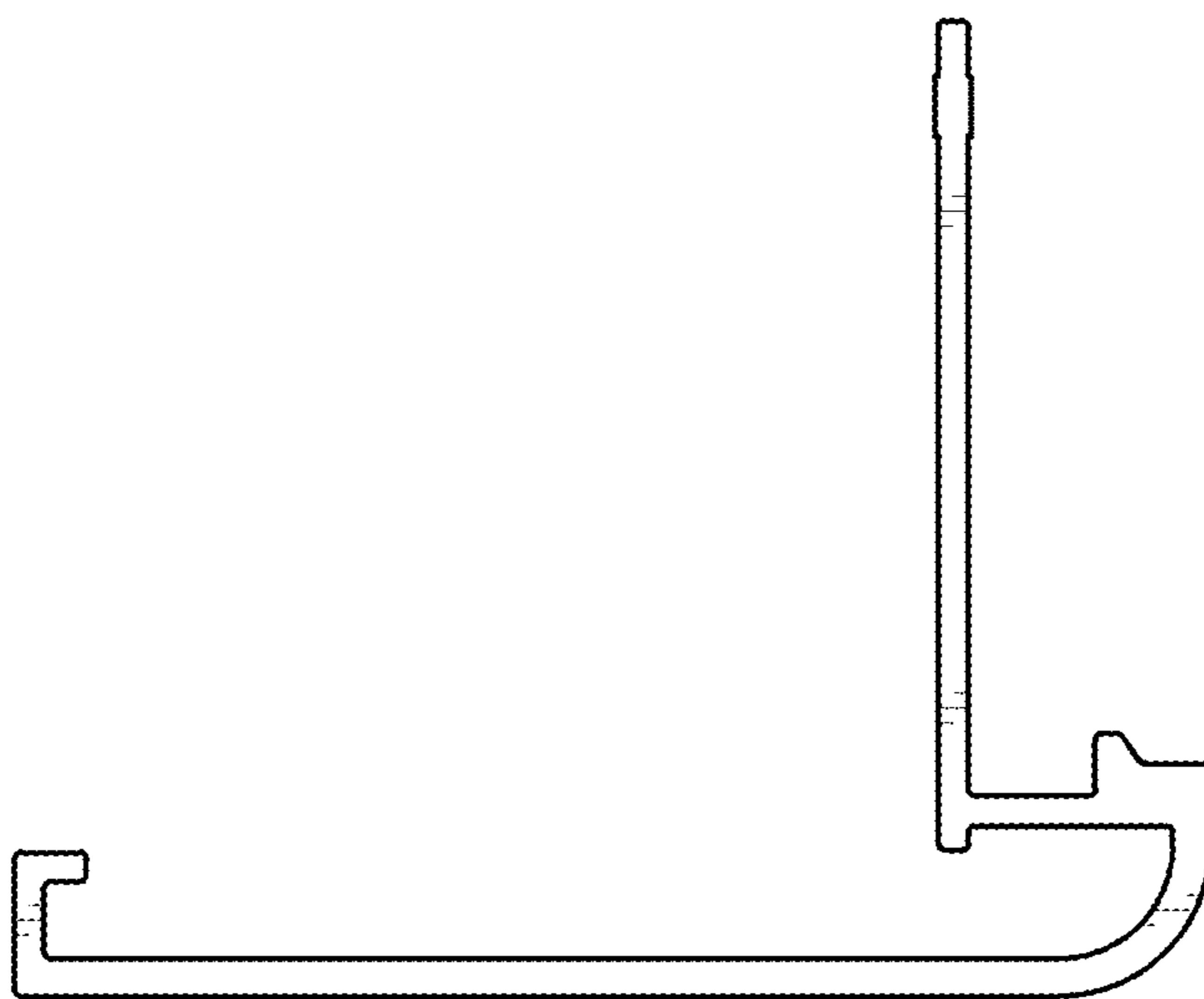
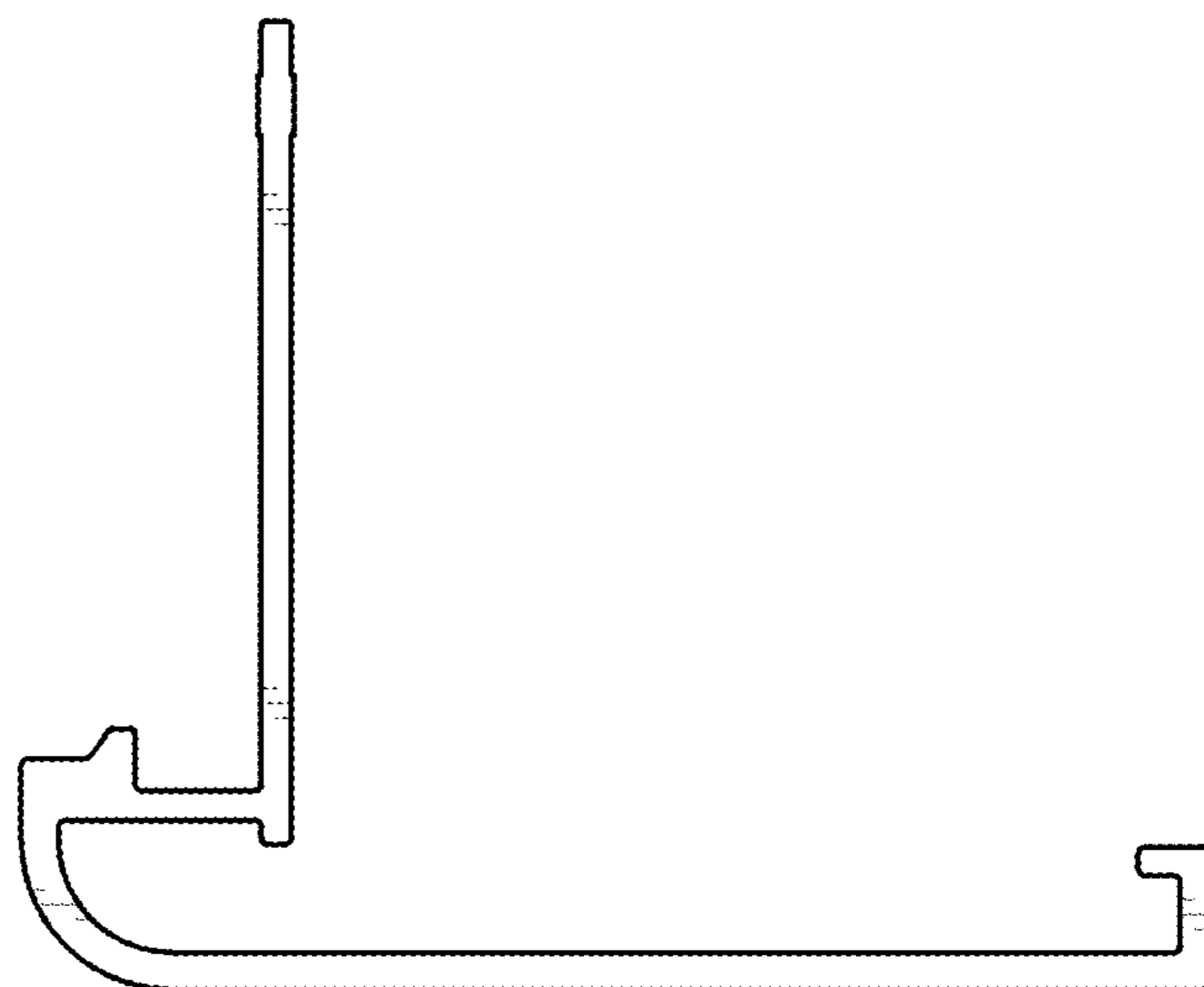


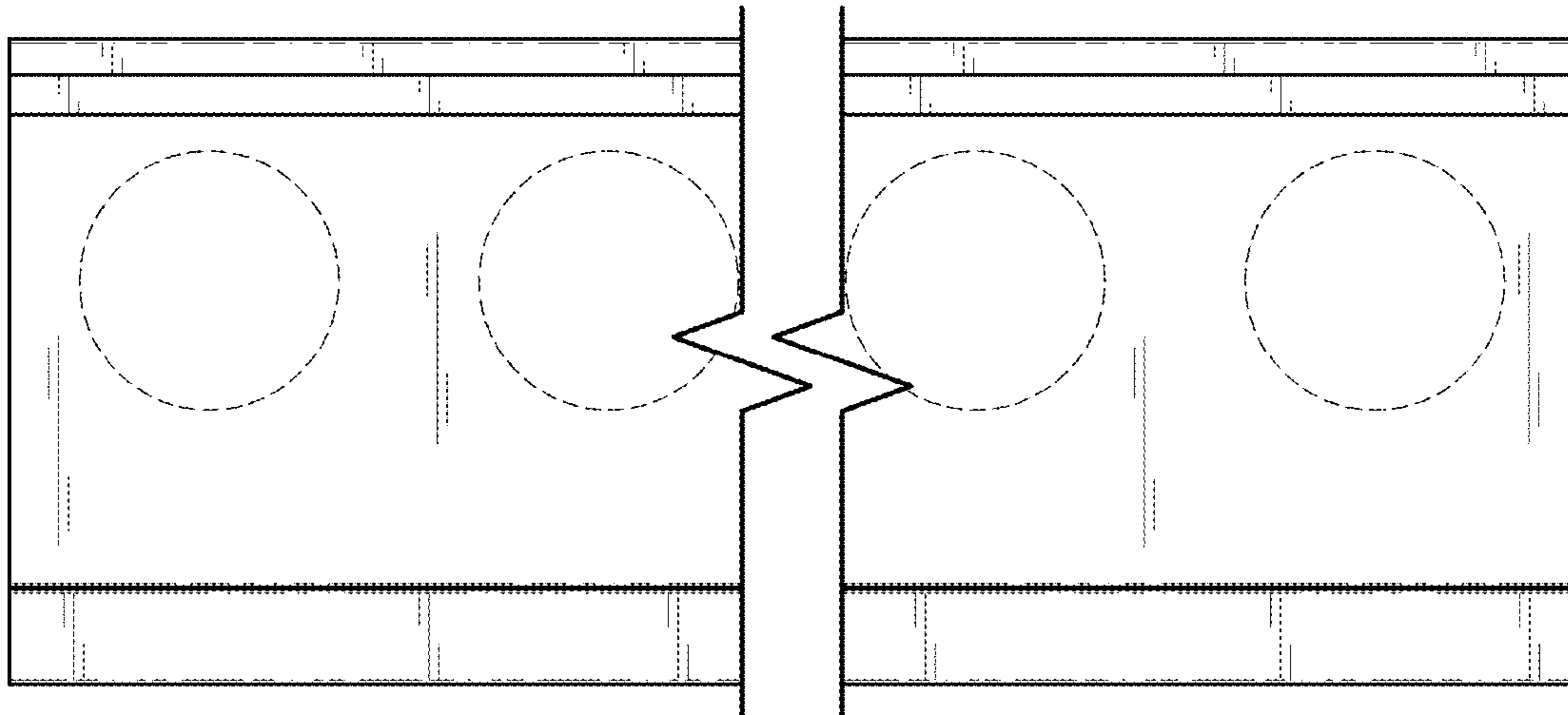
FIG. 1



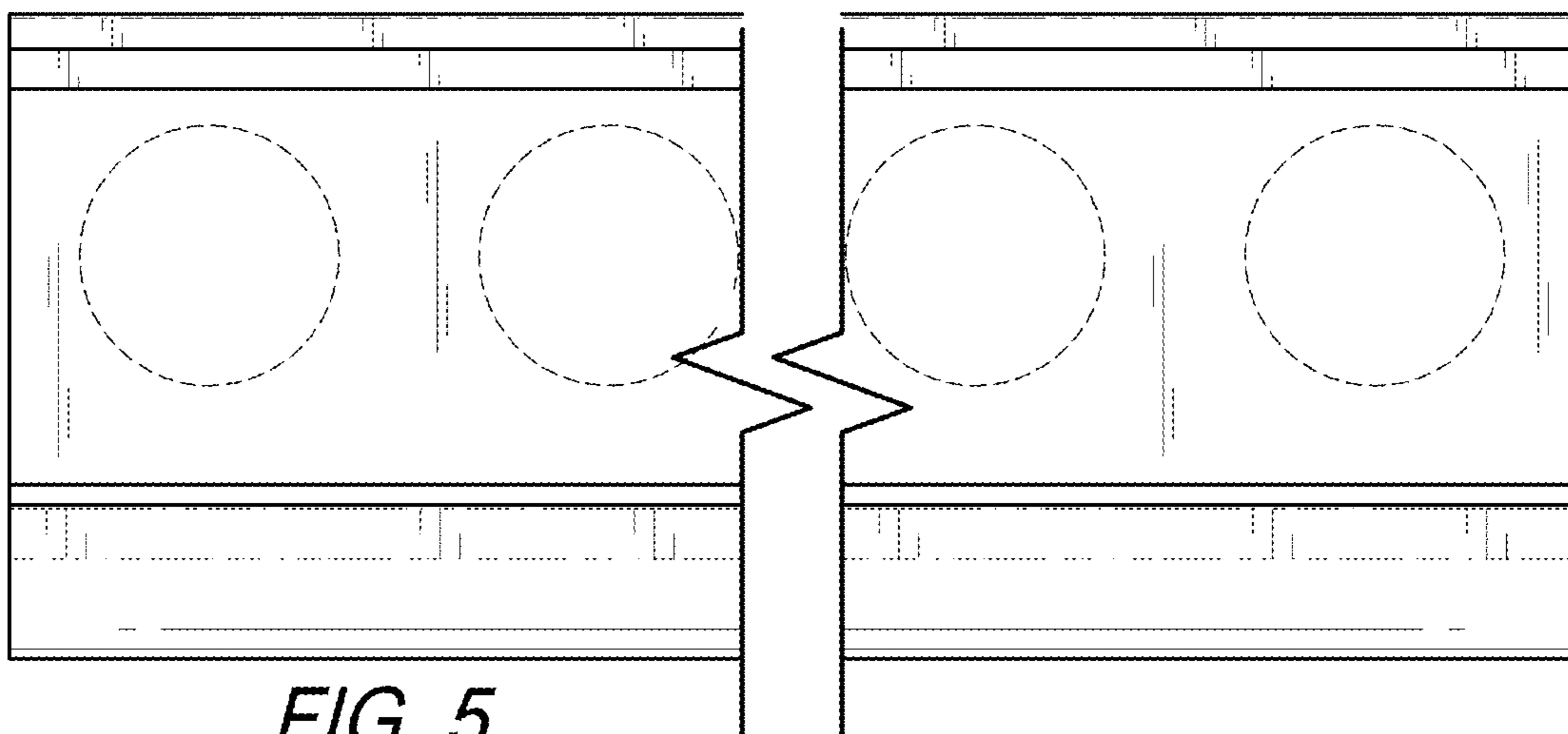
*FIG. 2*



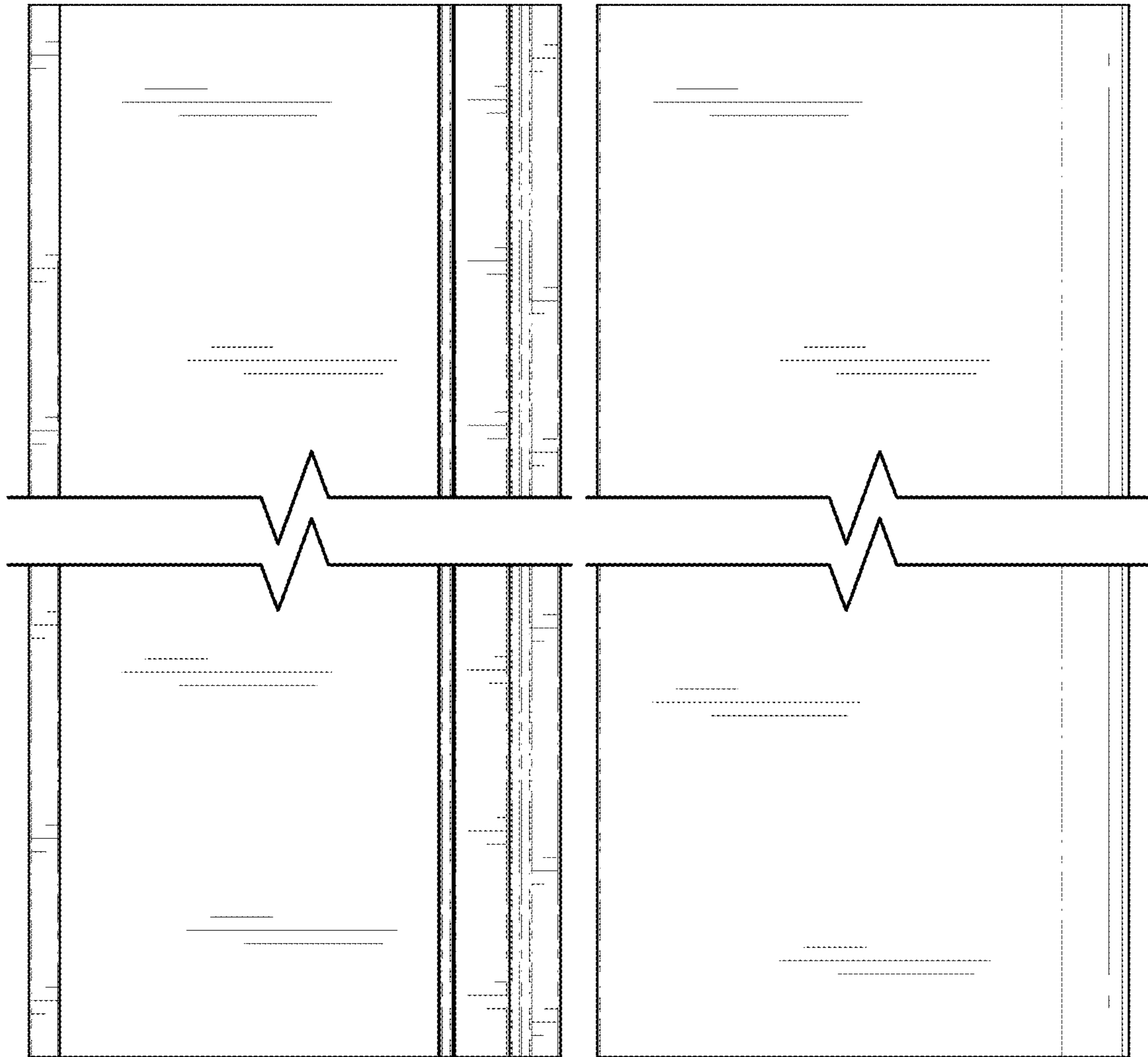
*FIG. 3*



*FIG. 4*



*FIG. 5*



*FIG. 6*

*FIG. 7*