



US00D768876S

(12) **United States Design Patent** (10) **Patent No.:** **US D768,876 S**
Lindberg et al. (45) **Date of Patent:** **** Oct. 11, 2016**

- (54) **VENEER BLOCK**
- (71) Applicant: **E.P. Henry Corporation**, Woodbury, NJ (US)
- (72) Inventors: **John J. Lindberg**, Pottstown, PA (US);
John E. Ravelli, Dorothy, NJ (US);
Eric Y. Long, Sewell, NJ (US)
- (73) Assignee: **E.P. Henry Corporation**, Woodbury, NJ (US)
- (**) Term: **14 Years**
- (21) Appl. No.: **29/502,826**
- (22) Filed: **Sep. 19, 2014**
- (51) **LOC (10) Cl.** **25-01**
- (52) **U.S. Cl.**
USPC **D25/113**
- (58) **Field of Classification Search**
USPC D25/113-118, 138, 152-162, 164, 199;
405/16, 284, 286; 52/604, 608; 404/41,
404/34; D8/1
CPC E04C 1/00; E04C 1/395; E04B 1/02
See application file for complete search history.

7,637,737 B2	12/2009	Furner et al.	
D611,164 S	3/2010	Mugge et al.	
D639,455 S	6/2011	Mugge et al.	
7,976,963 B2	7/2011	Olson, III et al.	
D644,744 S	9/2011	Meadows	
D644,745 S	9/2011	Meadows	
D644,746 S	9/2011	Meadows	
D644,747 S	9/2011	Meadows	
D644,748 S	9/2011	Meadows	
D644,749 S	9/2011	Meadows	
D645,165 S	9/2011	Wolter et al.	
D646,402 S	10/2011	Mugge	
D674,512 S	1/2013	Manthei	
D679,029 S	3/2013	Mugge et al.	
D685,923 S	7/2013	Mugge et al.	
D690,837 S	10/2013	Mugge et al.	
D696,425 S	12/2013	Mugge et al.	
D698,942 S	2/2014	Mugge et al.	
D699,866 S	2/2014	Mugge et al.	
D703,346 S	4/2014	Johnson et al.	
2010/0018146 A1 *	1/2010	Aube et al.	52/562
2011/0203211 A1	8/2011	Metten	
2011/0217127 A1 *	9/2011	MacDonald	405/284
2012/0256351 A1 *	10/2012	Chen	264/336

FOREIGN PATENT DOCUMENTS

CA	147346	9/2013
JP	2002/097773	4/2002
WO	WO 2012/059757	5/2012

OTHER PUBLICATIONS

Canadian Patent Application No. 161595: Examiner's Report dated Jan. 26, 2016, 1 page.

* cited by examiner

Primary Examiner — Anhdao Doan
(74) *Attorney, Agent, or Firm* — Baker & Hostetler LLP

(57) **CLAIM**
We claim the ornamental design for a veneer block, as shown and described.

DESCRIPTION

FIG. 1 is a top, left, front perspective view of one embodiment of a veneer block according to our design;

(56) **References Cited**

U.S. PATENT DOCUMENTS

1,411,005 A *	3/1922	Dula	52/596
2,002,311 A	5/1935	David	
2,238,787 A	4/1941	Aberson	
2,482,556 A	9/1949	Petras	
3,290,849 A	12/1966	Wright	
4,590,726 A	5/1986	Salazar	
5,465,544 A	11/1995	Ghahary	
6,000,183 A	12/1999	Newman	
6,062,772 A	5/2000	Perkins	
D466,619 S	12/2002	Britton	
D467,009 S *	12/2002	Agee	D25/113
D468,449 S	1/2003	Britton	
D530,831 S	10/2006	Mugge et al.	
7,175,414 B2 *	2/2007	Ness et al.	425/441
D551,358 S *	9/2007	Deragon	D25/113
D584,423 S	1/2009	Mugge et al.	
7,490,444 B2	2/2009	Nowack	

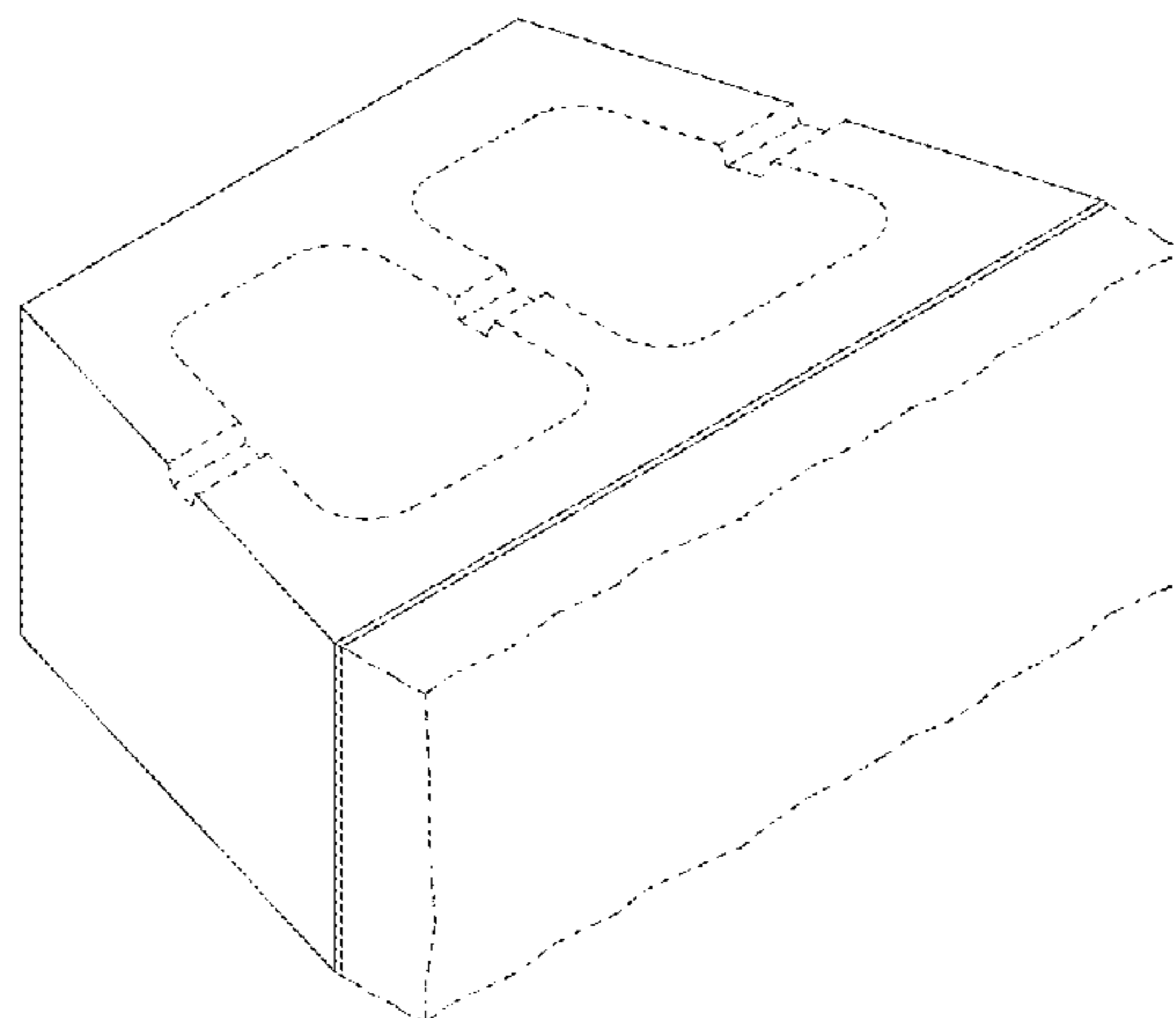


FIG. 2 is a top plan view of the veneer block illustrated in FIG. 1;

FIG. 3 is a bottom plan view of the veneer block illustrated in FIG. 1;

FIG. 4 is a left side elevation view of the veneer block illustrated in FIG. 1;

FIG. 5 is a right side elevation view of the veneer block illustrated in FIG. 1;

FIG. 6 is a rear elevation view of the veneer block illustrated in FIG. 1;

FIG. 7 is a front elevation view of the veneer block illustrated in FIG. 1;

FIG. 8 is a top, left, front perspective view of another embodiment of the veneer block illustrated in FIG. 1;

FIG. 9 is a top plan view of the veneer block illustrated in FIG. 8;

FIG. 10 is a bottom plan view of the veneer block illustrated in FIG. 8;

FIG. 11 is a left side elevation view of the veneer block illustrated in FIG. 8;

FIG. 12 is a right side elevation view of the veneer block illustrated in FIG. 8;

FIG. 13 is a rear elevation view of the veneer block illustrated in FIG. 8;

FIG. 14 is a front elevation view of the veneer block illustrated in FIG. 8;

FIG. 15 is a top, left, front perspective view of another embodiment of the veneer block illustrated in FIG. 1;

FIG. 16 is a top plan view of the veneer block illustrated in FIG. 15;

FIG. 17 is a bottom plan view of the veneer block illustrated in FIG. 15;

FIG. 18 is a left side elevation view of the veneer block illustrated in FIG. 15;

FIG. 19 is a right side elevation view of the veneer block illustrated in FIG. 15;

FIG. 20 is a rear elevation view of the veneer block illustrated in FIG. 15;

FIG. 21 is a front elevation view of the veneer block illustrated in FIG. 15;

FIG. 22 is a top, left, front perspective view of another embodiment of the veneer block illustrated in FIG. 1;

FIG. 23 is a top plan view of the veneer block illustrated in FIG. 22;

FIG. 24 is a bottom plan view of the veneer block illustrated in FIG. 22;

FIG. 25 is a left side elevation view of the veneer block illustrated in FIG. 22;

FIG. 26 is a right side elevation view of the veneer block illustrated in FIG. 22;

FIG. 27 is a rear elevation view of the veneer block illustrated in FIG. 22;

FIG. 28 is a front elevation view of the veneer block illustrated in FIG. 22;

FIG. 29 is a top, left, front perspective view of another embodiment of the veneer block illustrated in FIG. 1;

FIG. 30 is a top plan view of the veneer block illustrated in FIG. 29;

FIG. 31 is a bottom plan view of the veneer block illustrated in FIG. 29;

FIG. 32 is a left side elevation view of the veneer block illustrated in FIG. 29;

FIG. 33 is a right side elevation view of the veneer block illustrated in FIG. 29;

FIG. 34 is a rear elevation view of the veneer block illustrated in FIG. 29;

FIG. 35 is a front elevation view of the veneer block illustrated in FIG. 29;

FIG. 36 is a top, left, front perspective view of another embodiment of the veneer block illustrated in FIG. 1;

FIG. 37 is a top plan view of the veneer block illustrated in FIG. 36;

FIG. 38 is a bottom plan view of the veneer block illustrated in FIG. 36;

FIG. 39 is a left side elevation view of the veneer block illustrated in FIG. 36;

FIG. 40 is a right side elevation view of the veneer block illustrated in FIG. 36;

FIG. 41 is a rear elevation view of the veneer block illustrated in FIG. 36;

FIG. 42 is a front elevation view of the veneer block illustrated in FIG. 36;

FIG. 43 is a top, left, front perspective view of another embodiment of the veneer block illustrated in FIG. 1;

FIG. 44 is a top plan view of the veneer block illustrated in FIG. 43;

FIG. 45 is a bottom plan view of the veneer block illustrated in FIG. 43;

FIG. 46 is a left side elevation view of the veneer block illustrated in FIG. 43;

FIG. 47 is a right side elevation view of the veneer block illustrated in FIG. 43;

FIG. 48 is a rear elevation view of the veneer block illustrated in FIG. 43; and,

FIG. 49 is a front elevation view of the veneer block illustrated in FIG. 43.

The broken line portion of the figure drawings is included to show unclaimed subject matter only for the purpose of illustrating environment and forms no part of the claimed design.

1 Claim, 14 Drawing Sheets

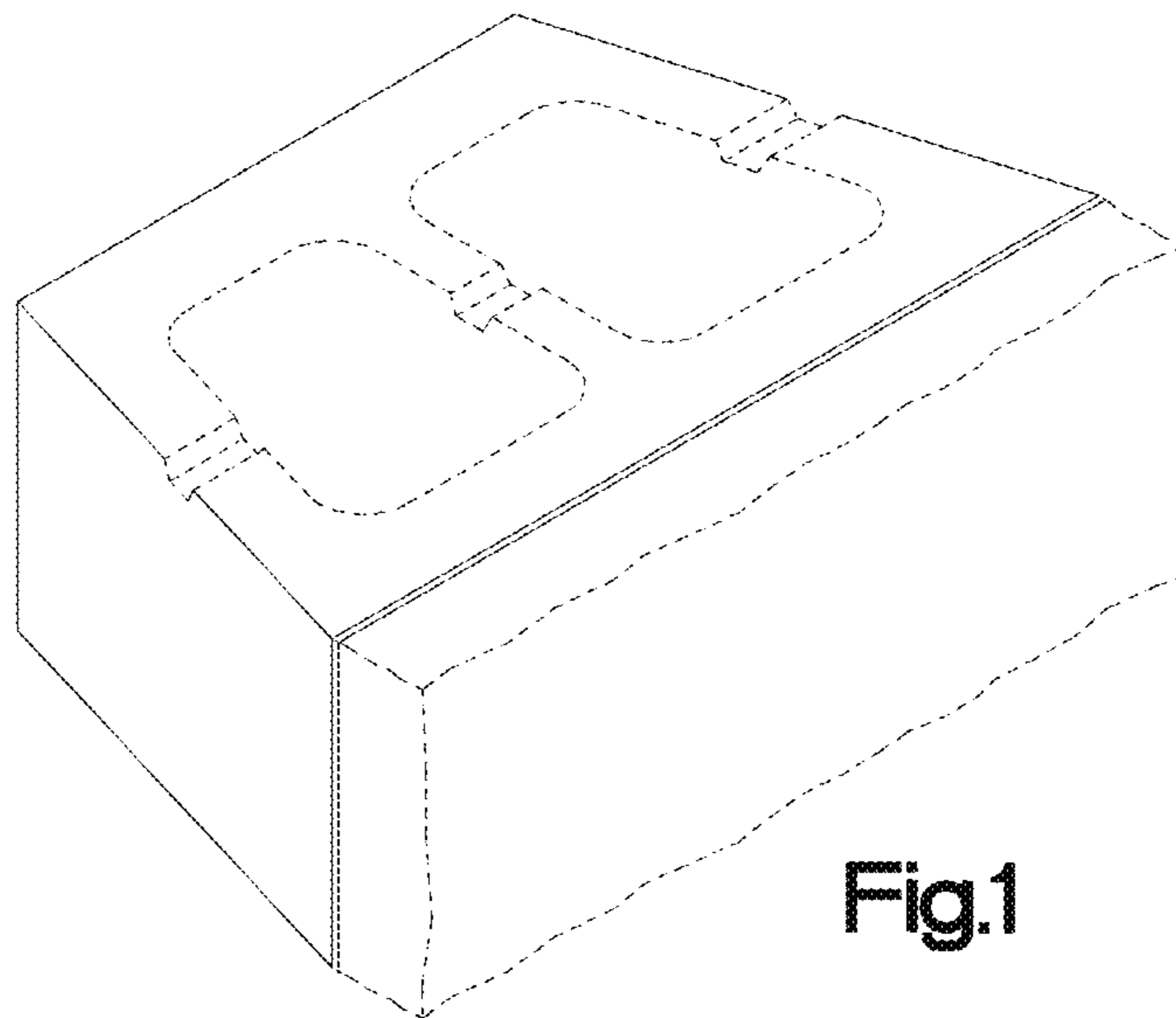


Fig.1

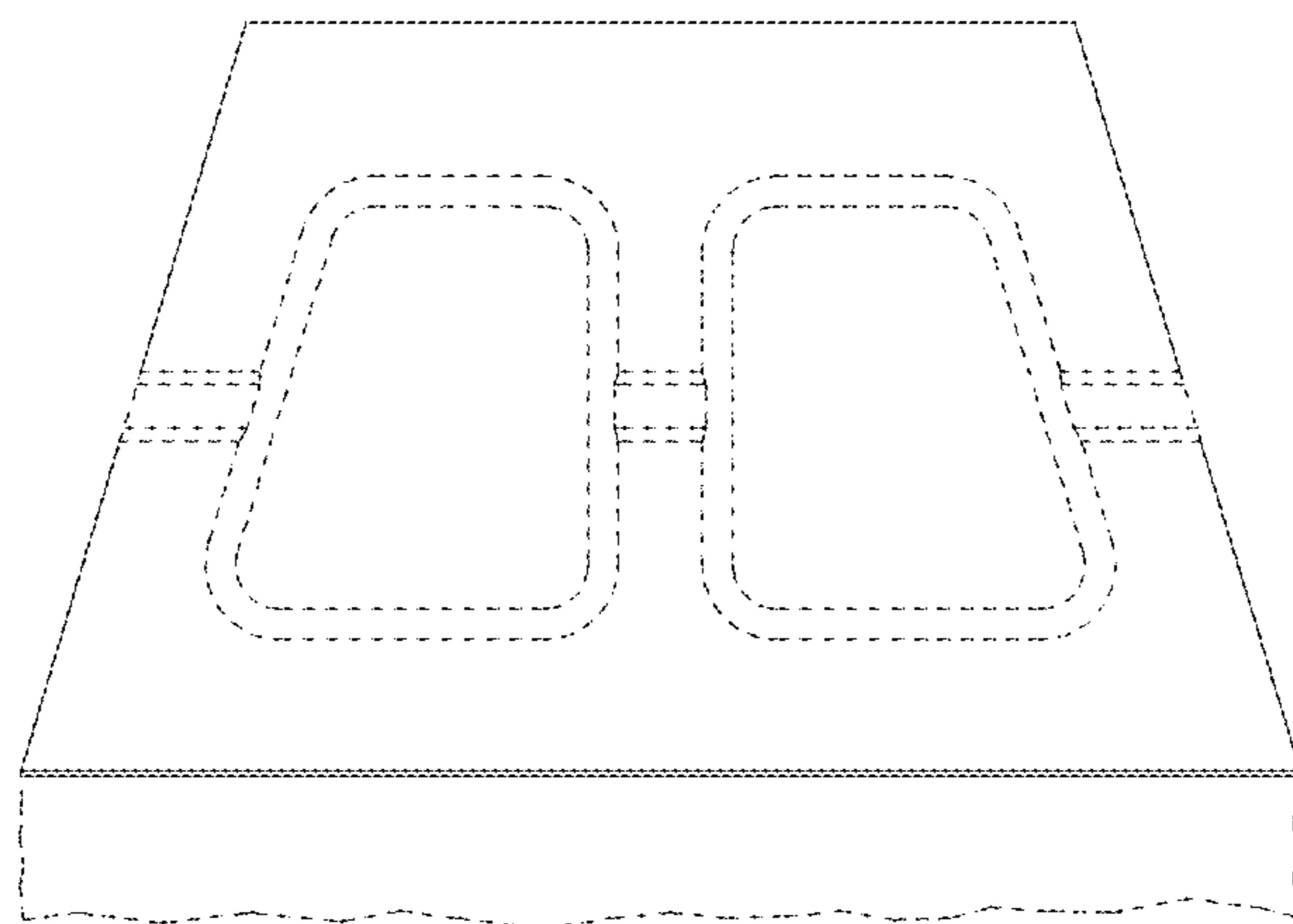


Fig.2

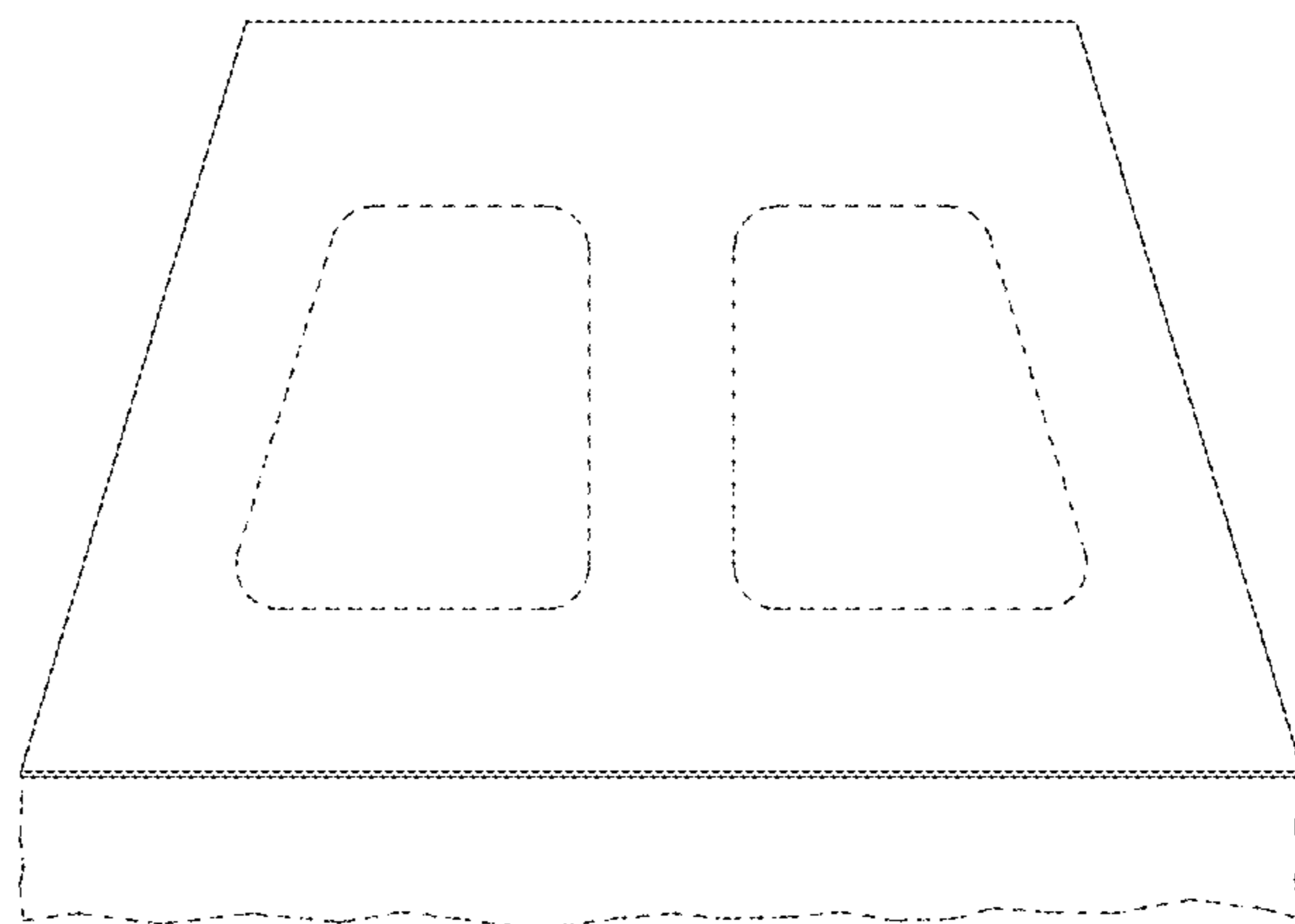


Fig.3

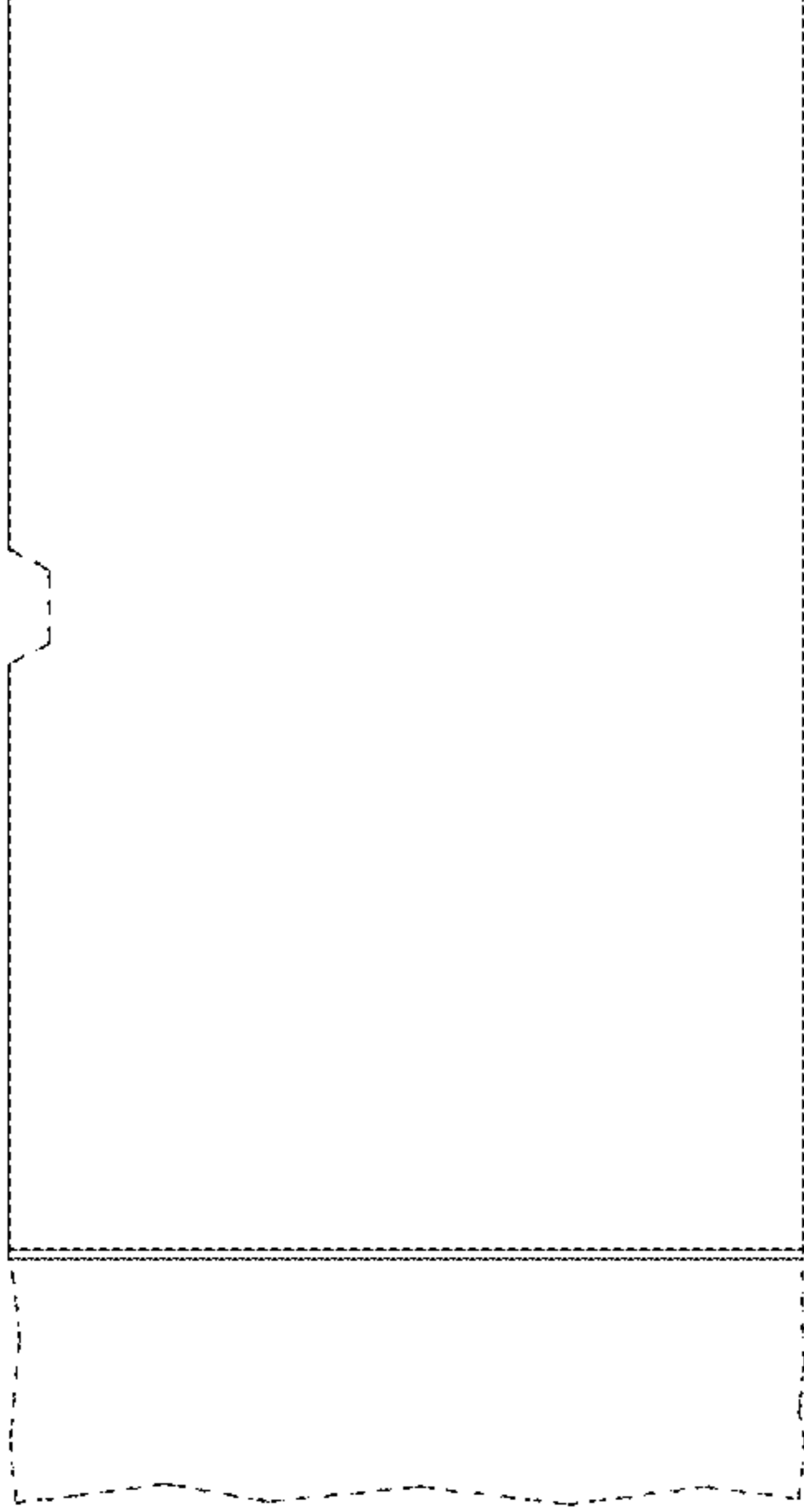


Fig.5



Fig.7

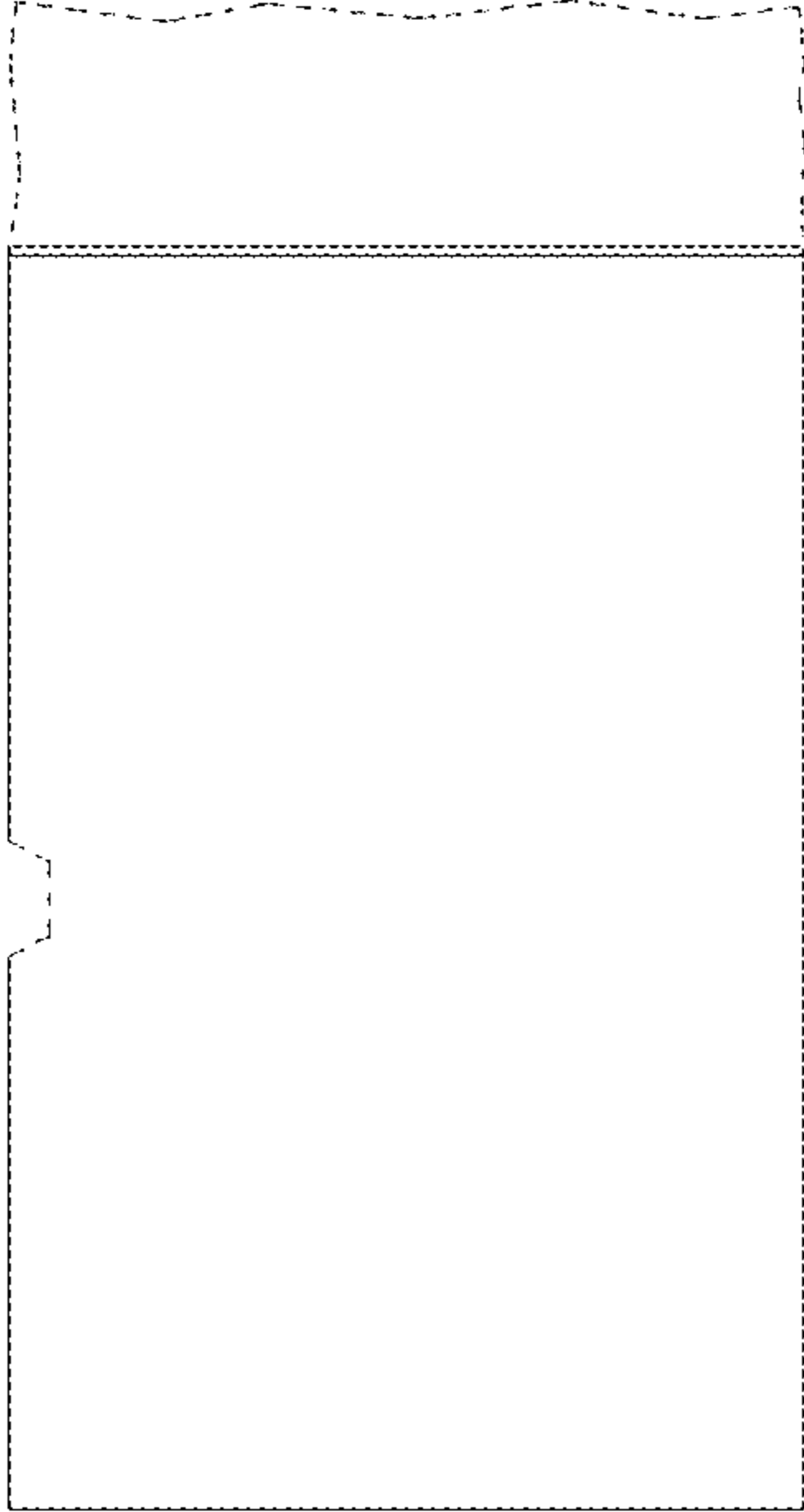


Fig.4

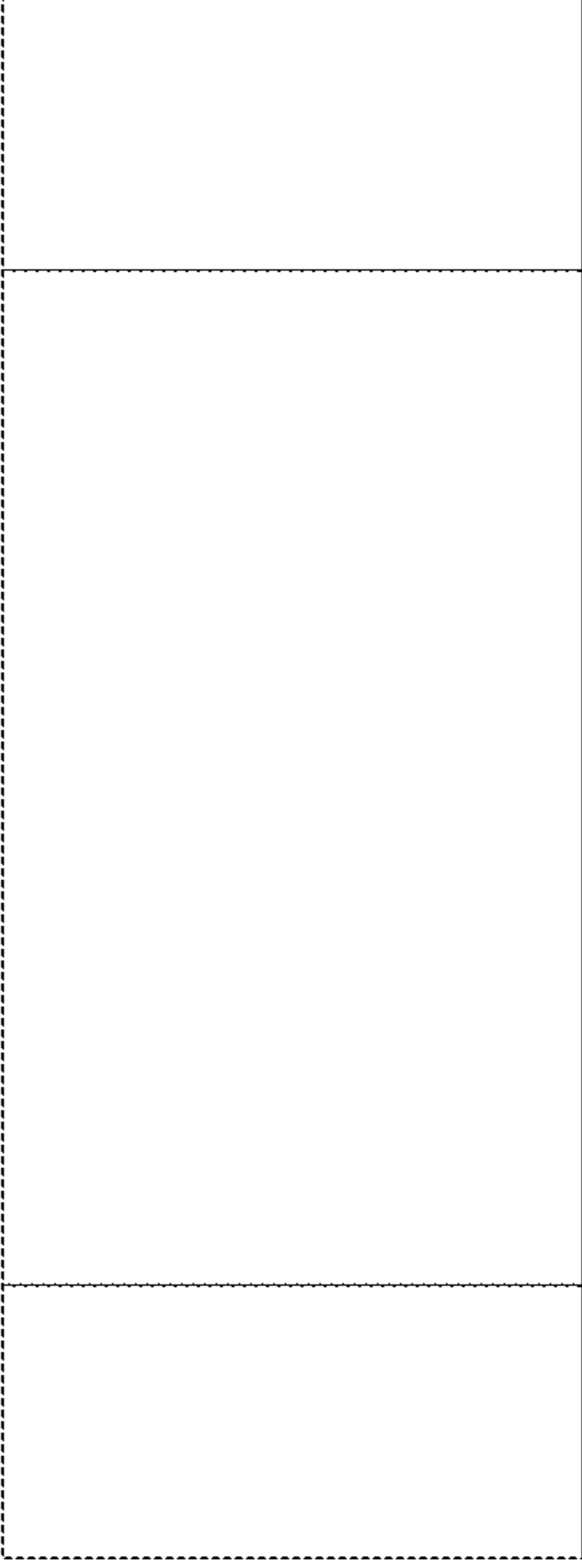


Fig.6

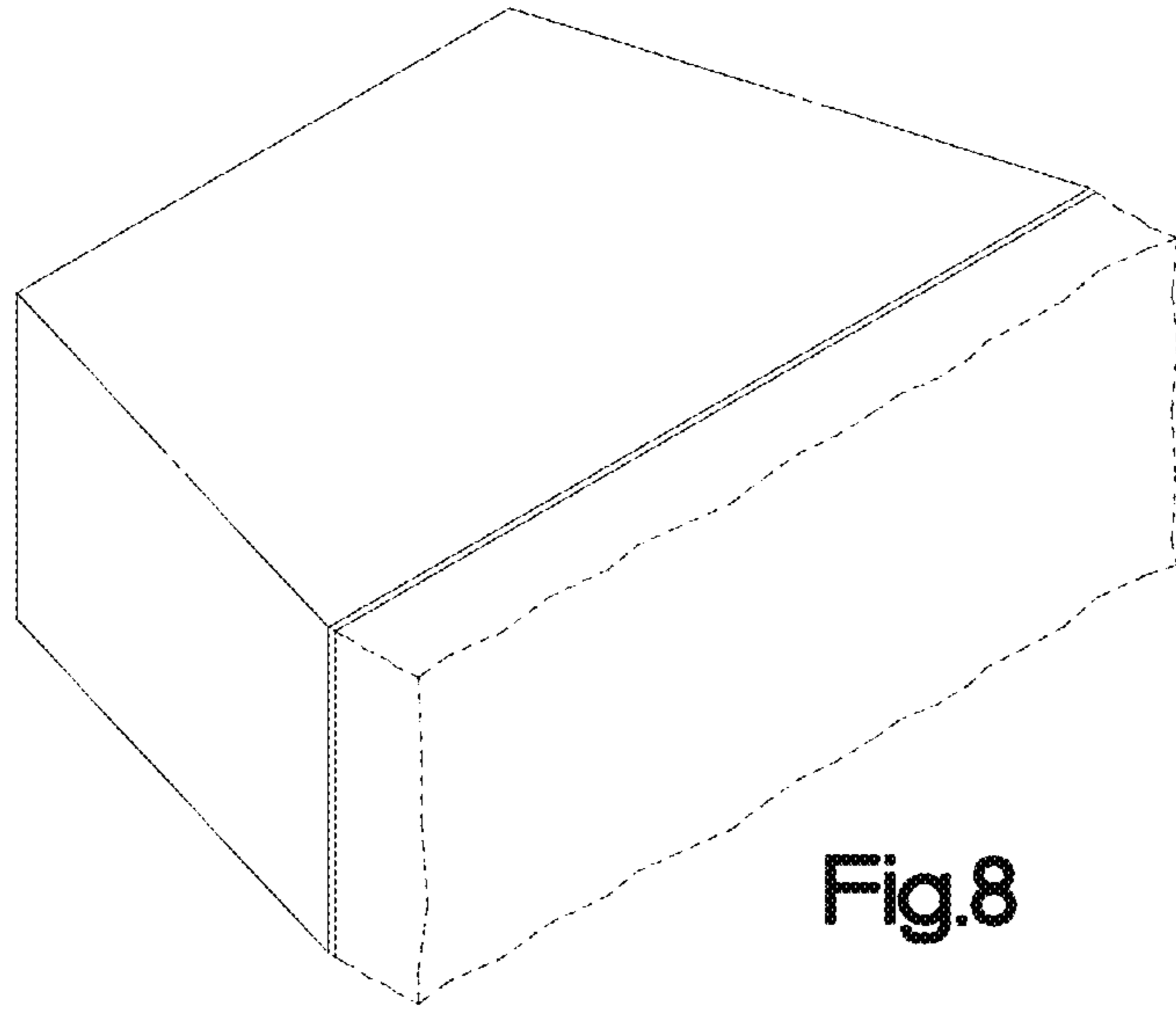


Fig.8

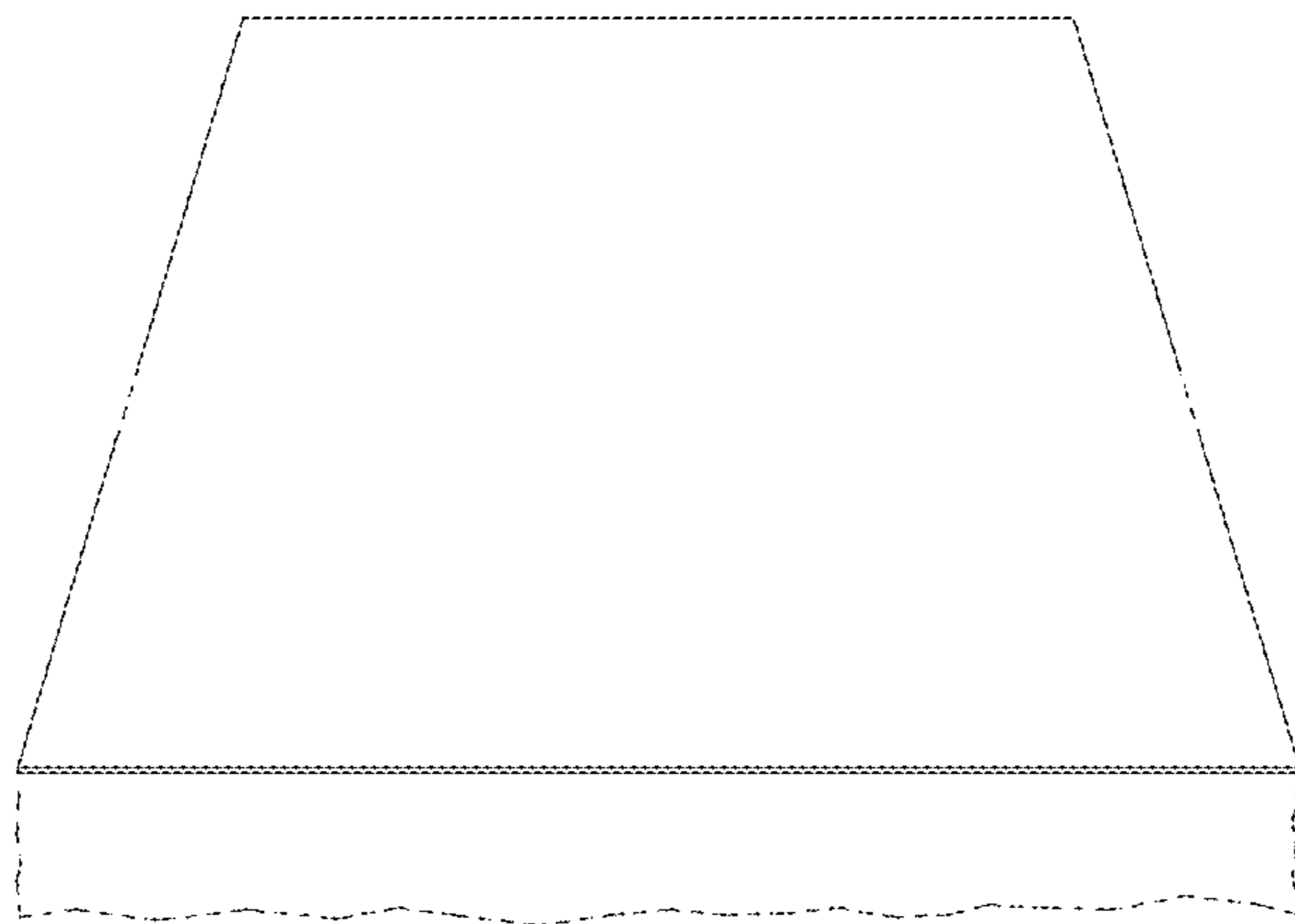


Fig.9

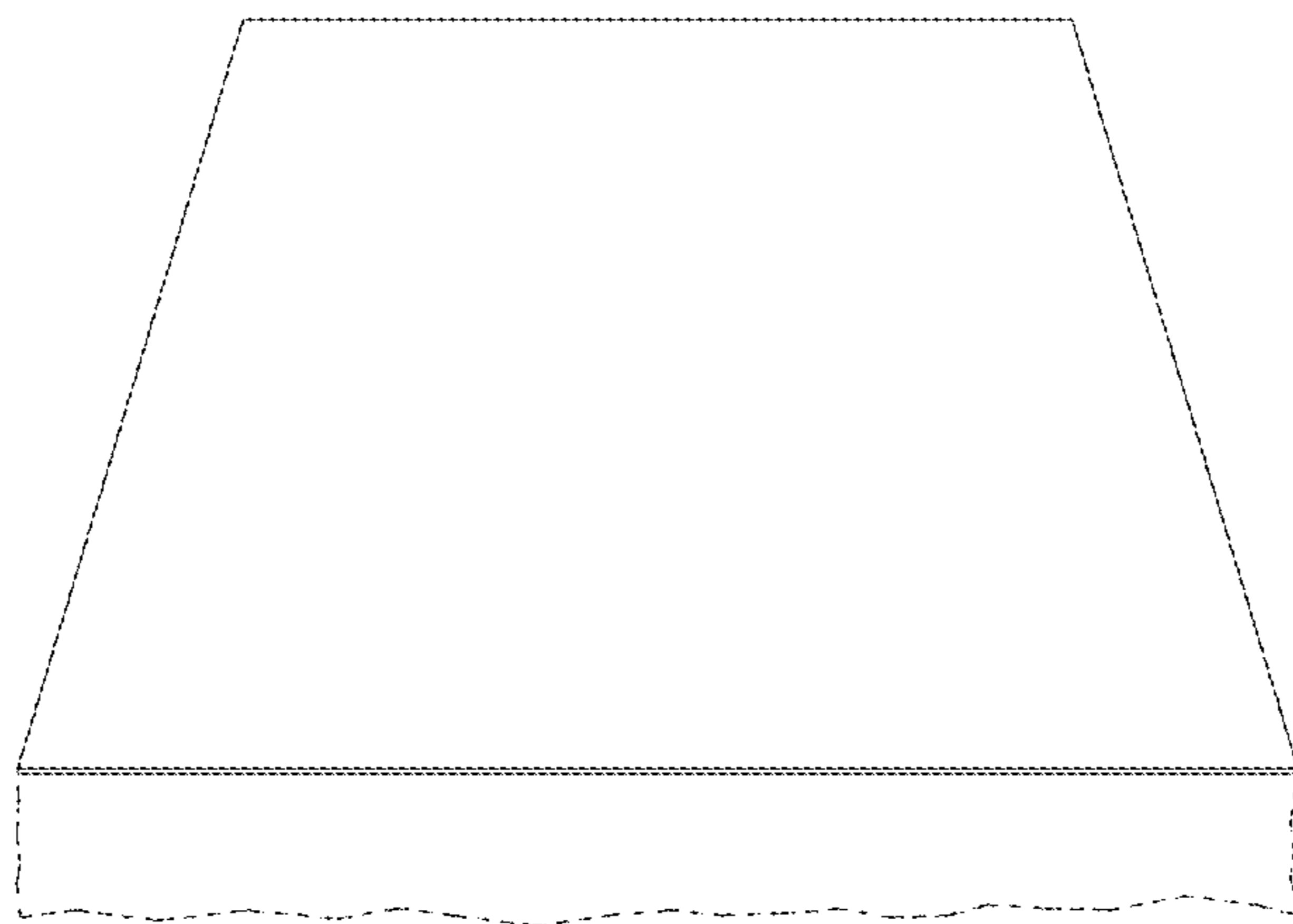


Fig.10

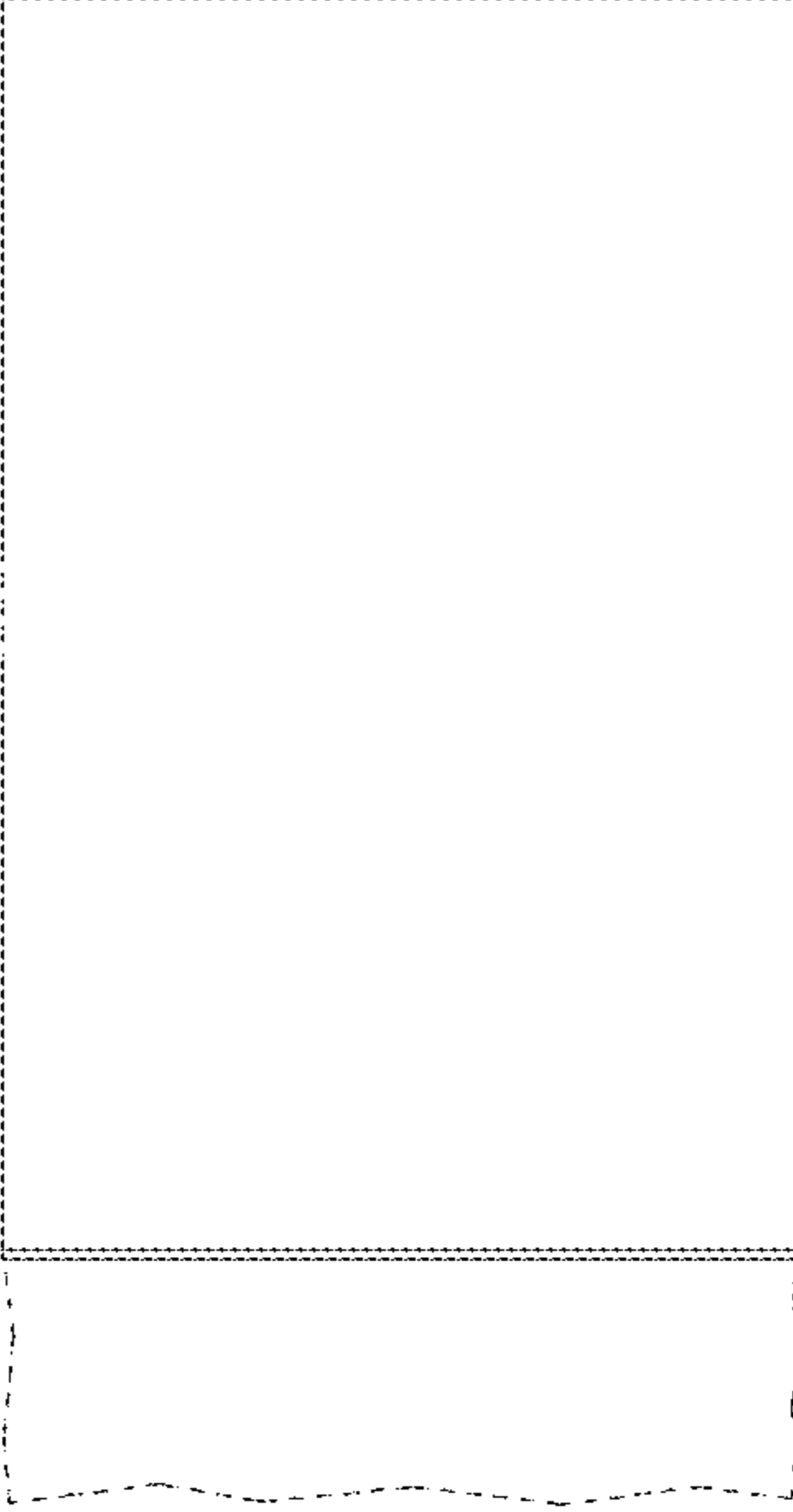


Fig.12

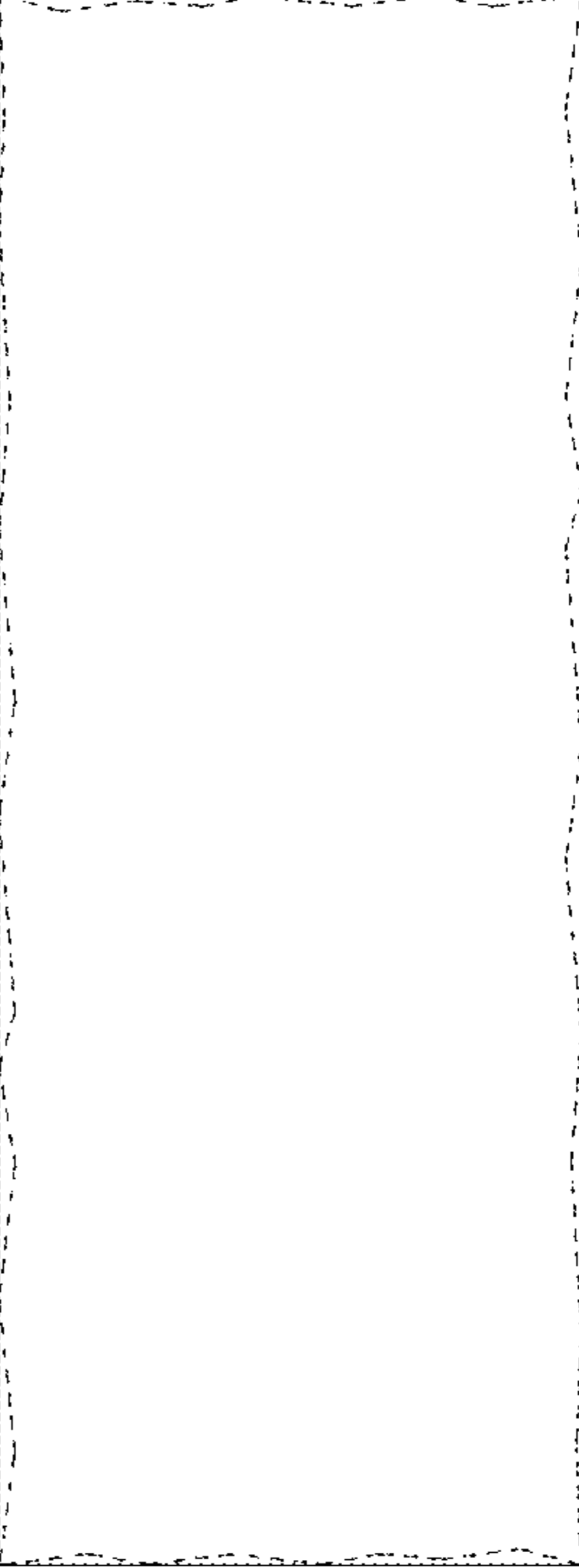


Fig.14



Fig.11



Fig.13

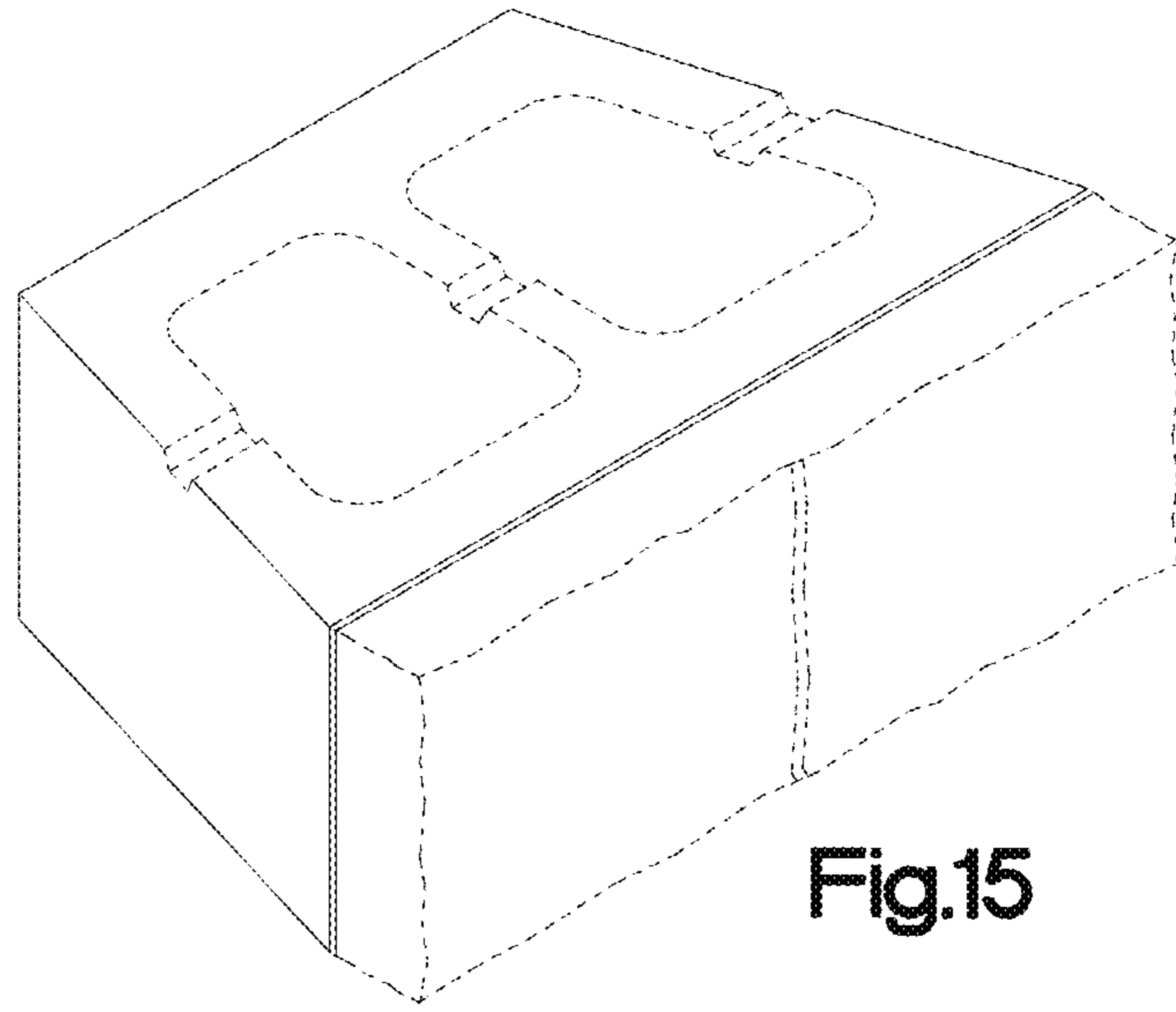


Fig.15

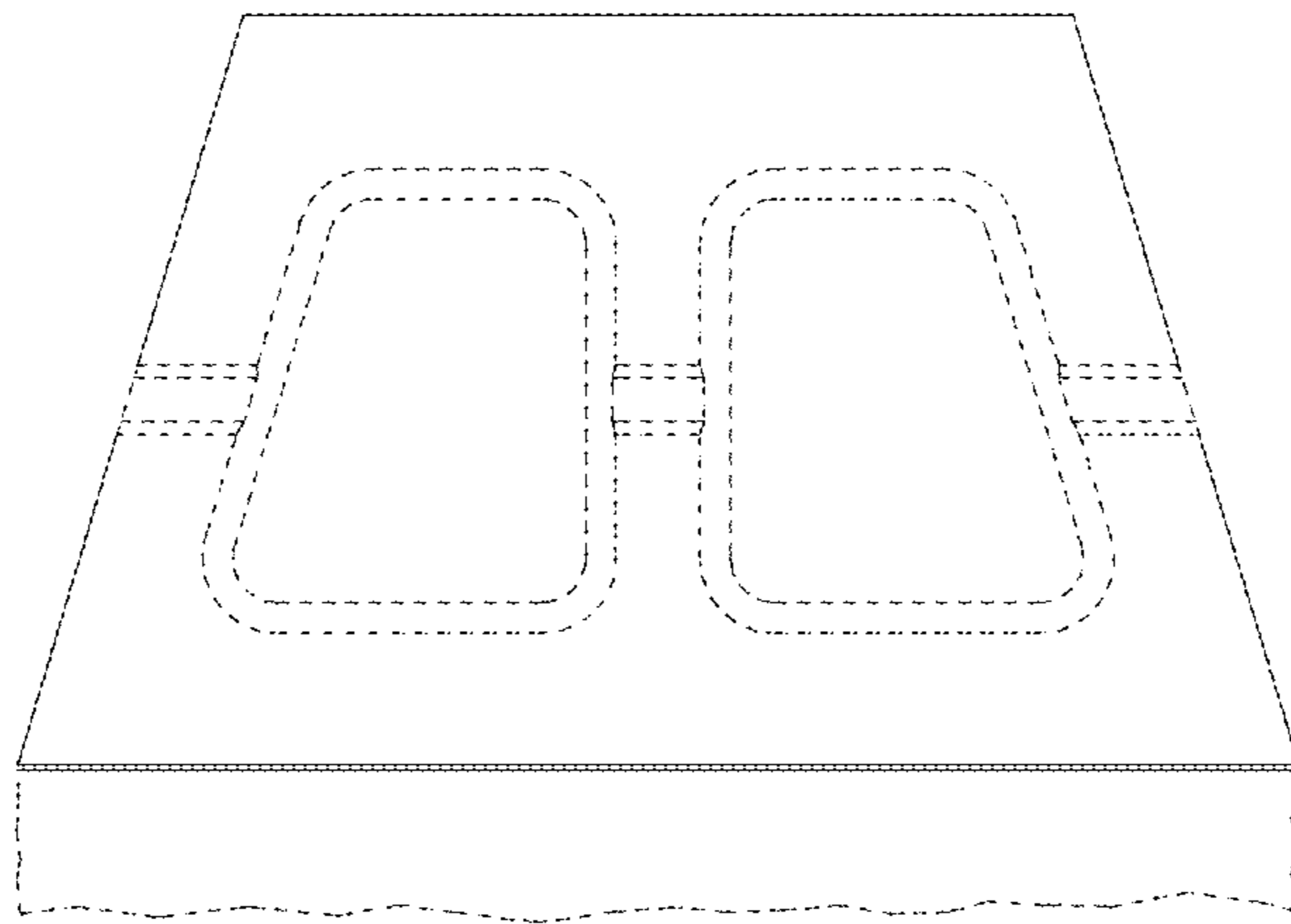


Fig.16

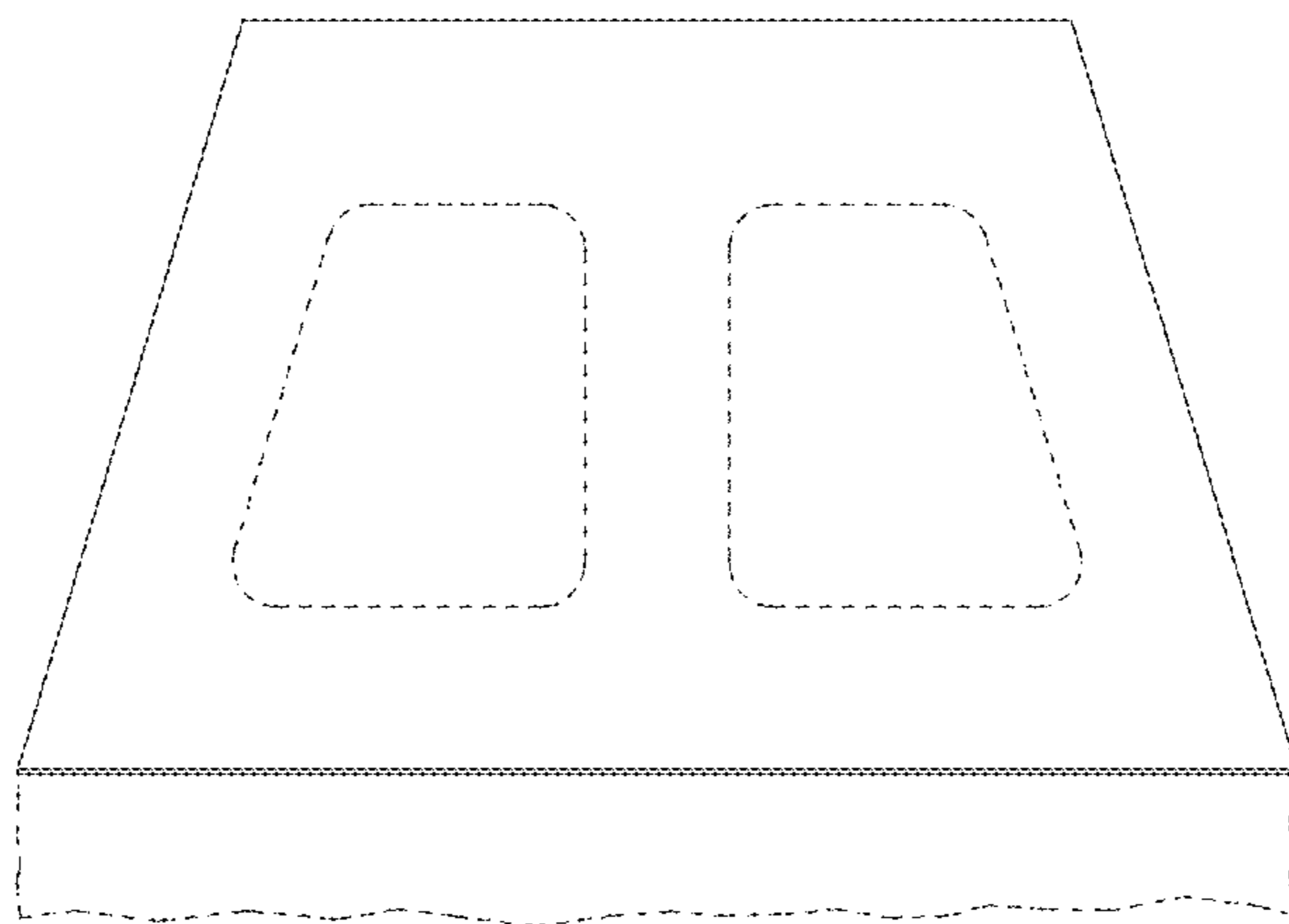


Fig.17

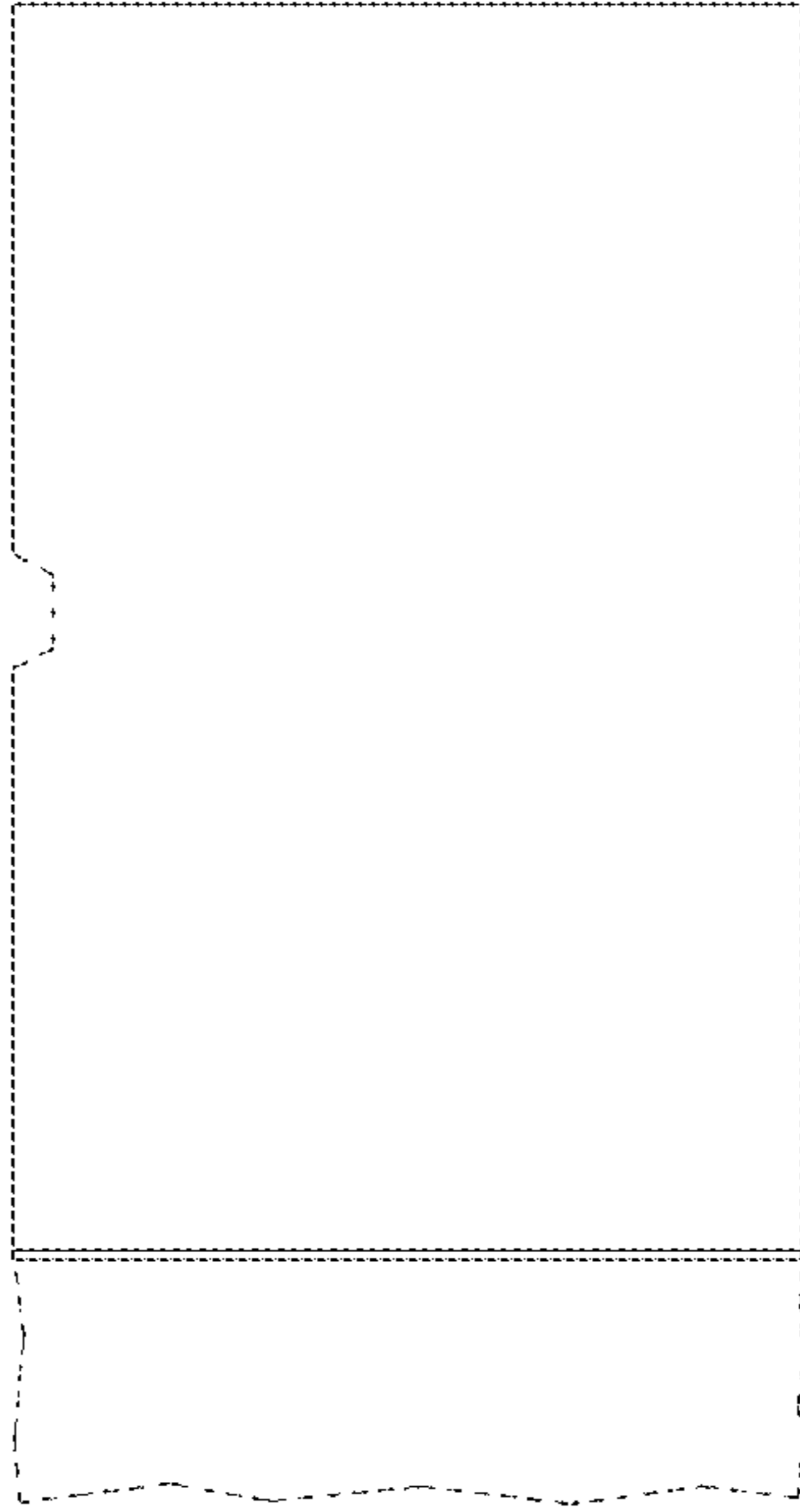


Fig.18

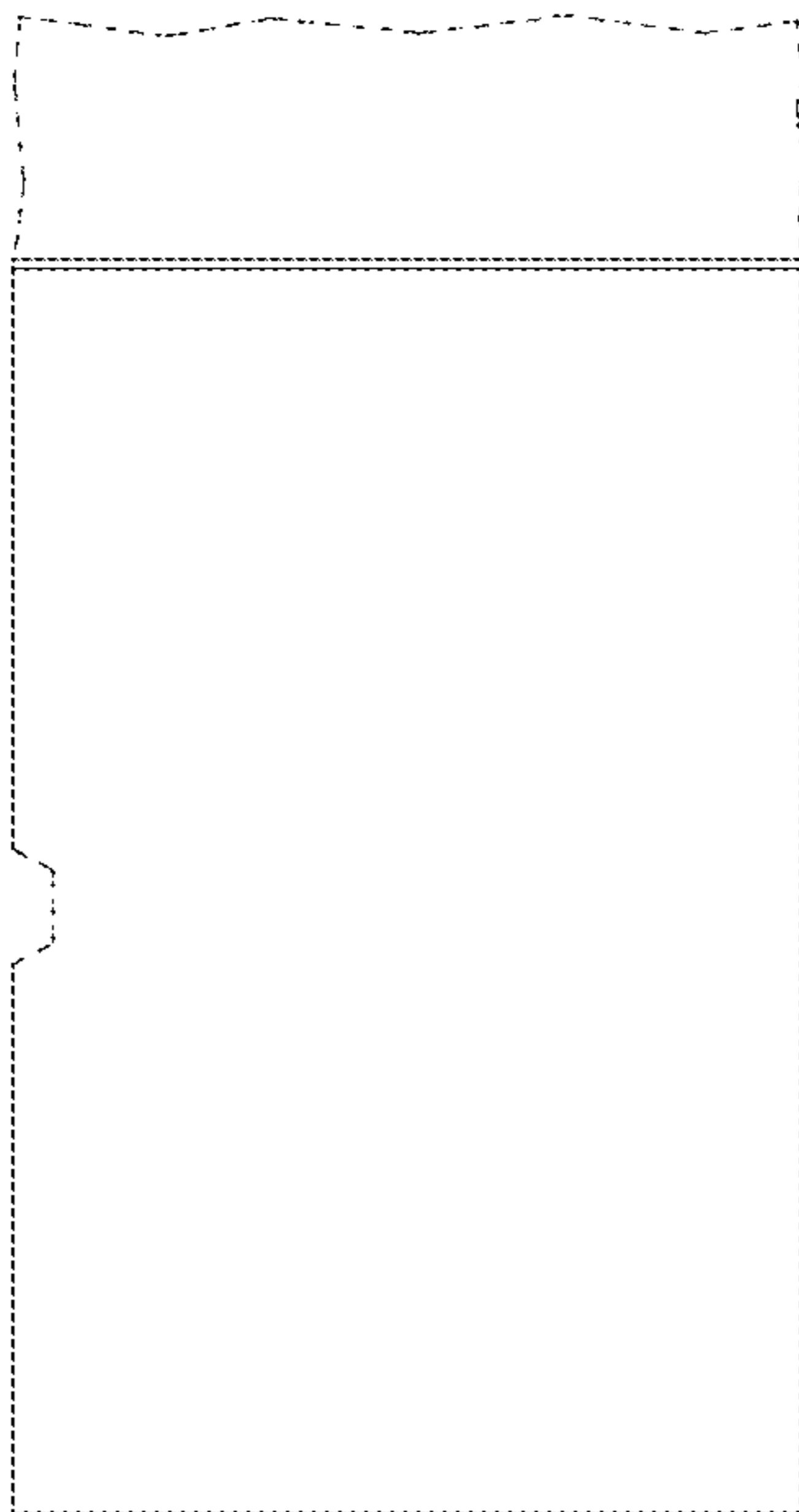


Fig.19

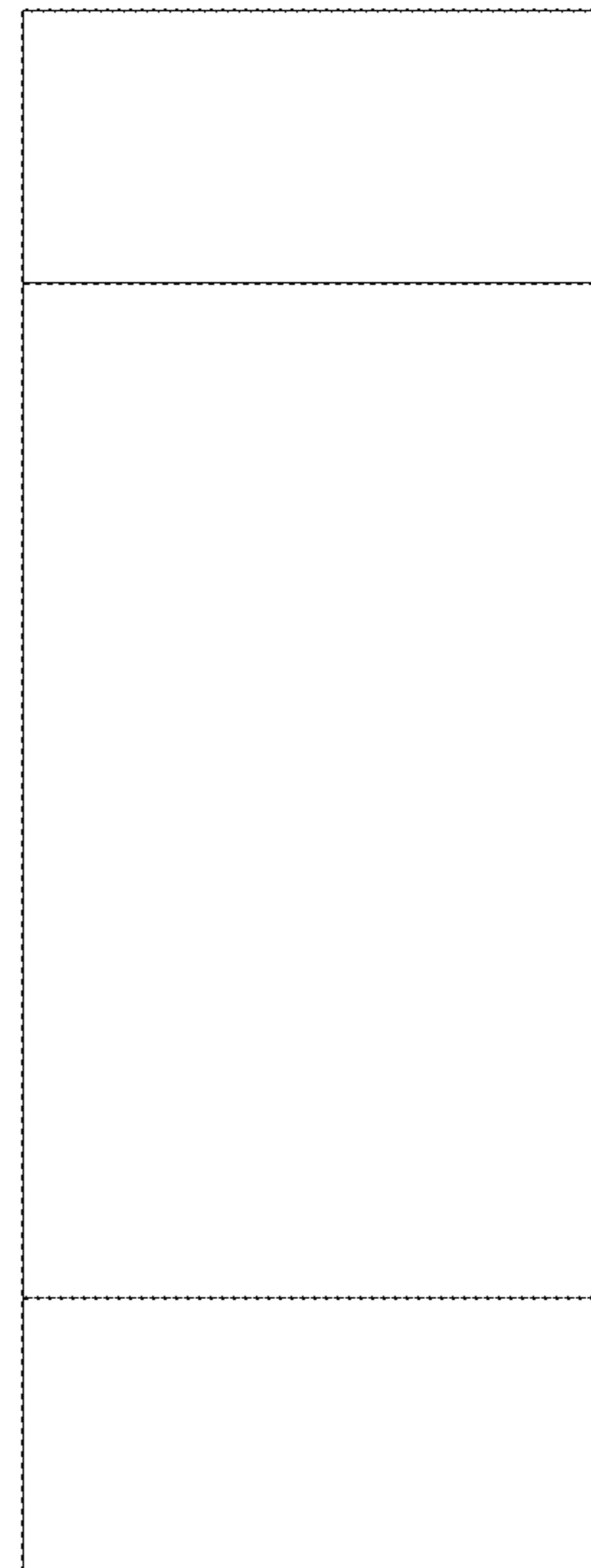


Fig.20

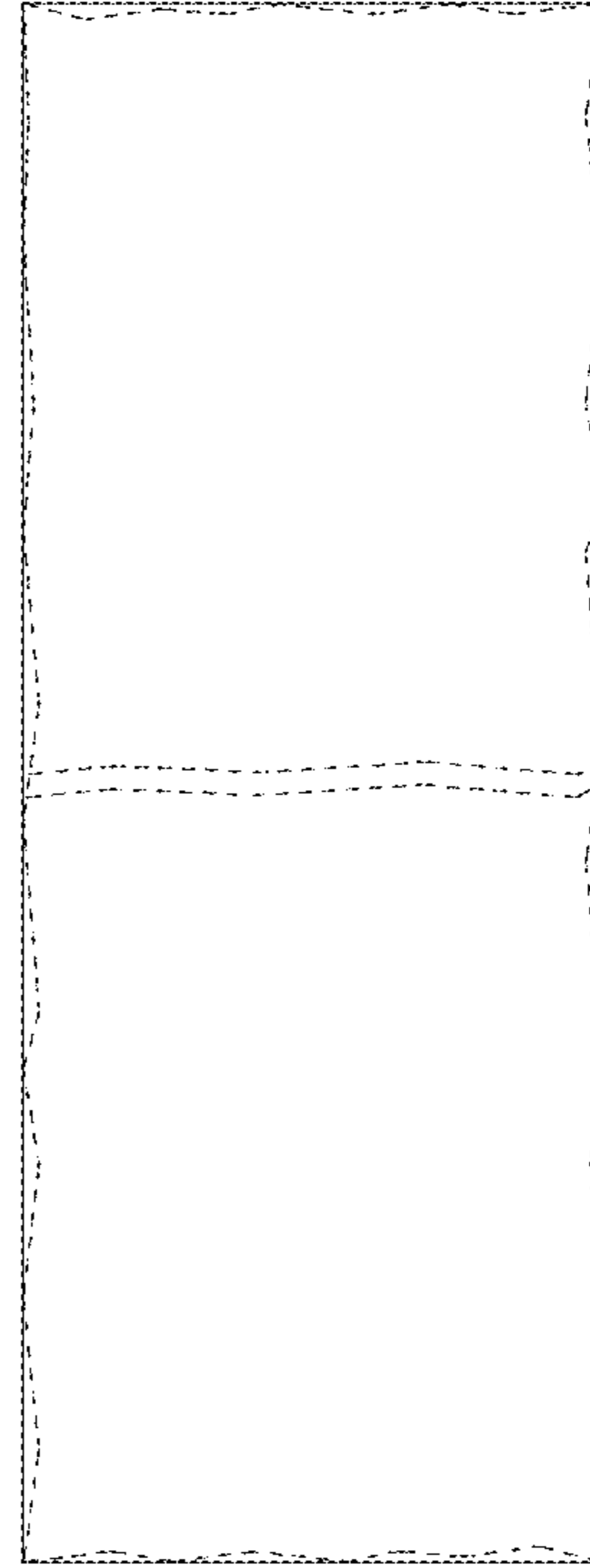


Fig.21

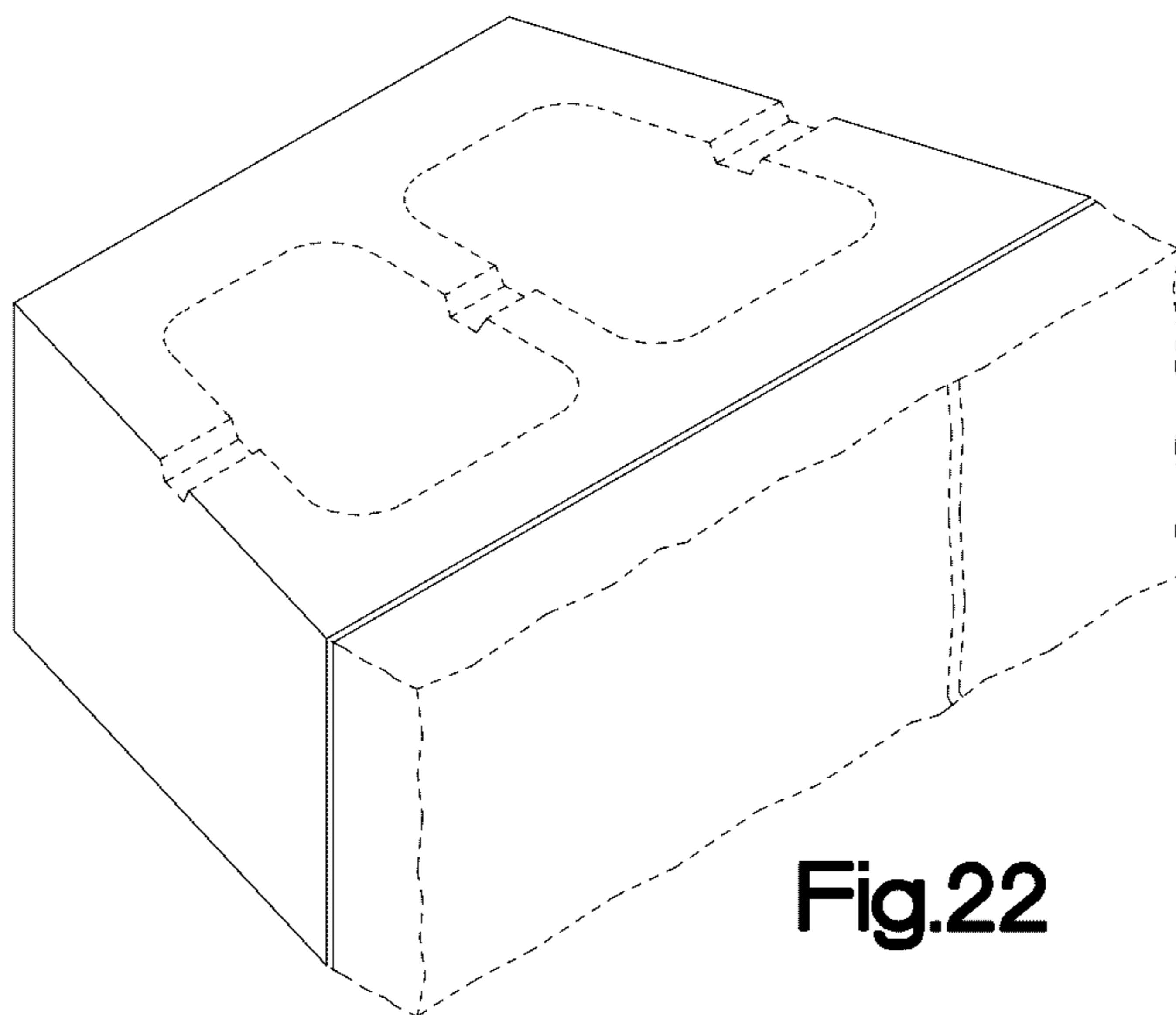


Fig.22

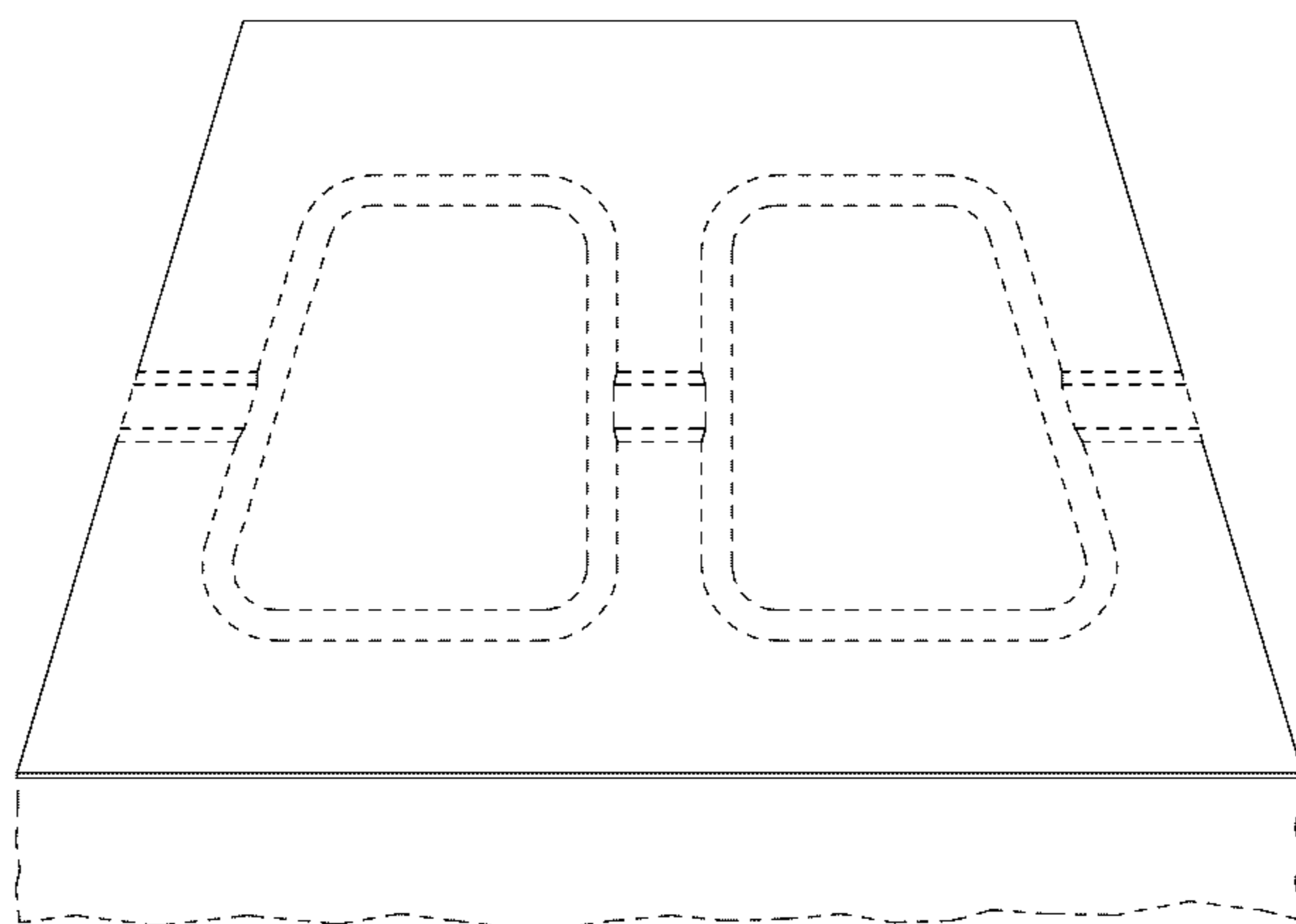


Fig.23

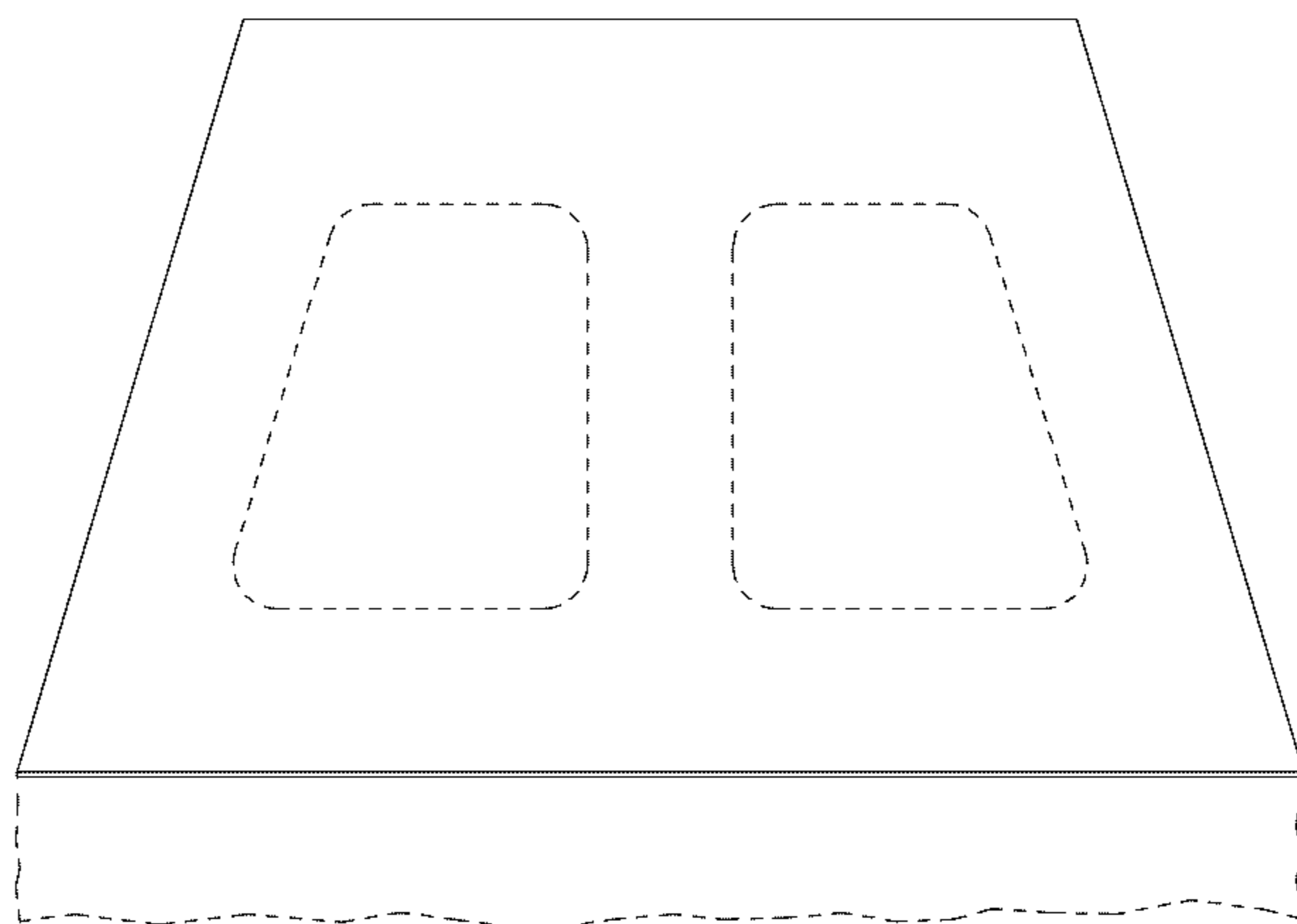


Fig.24

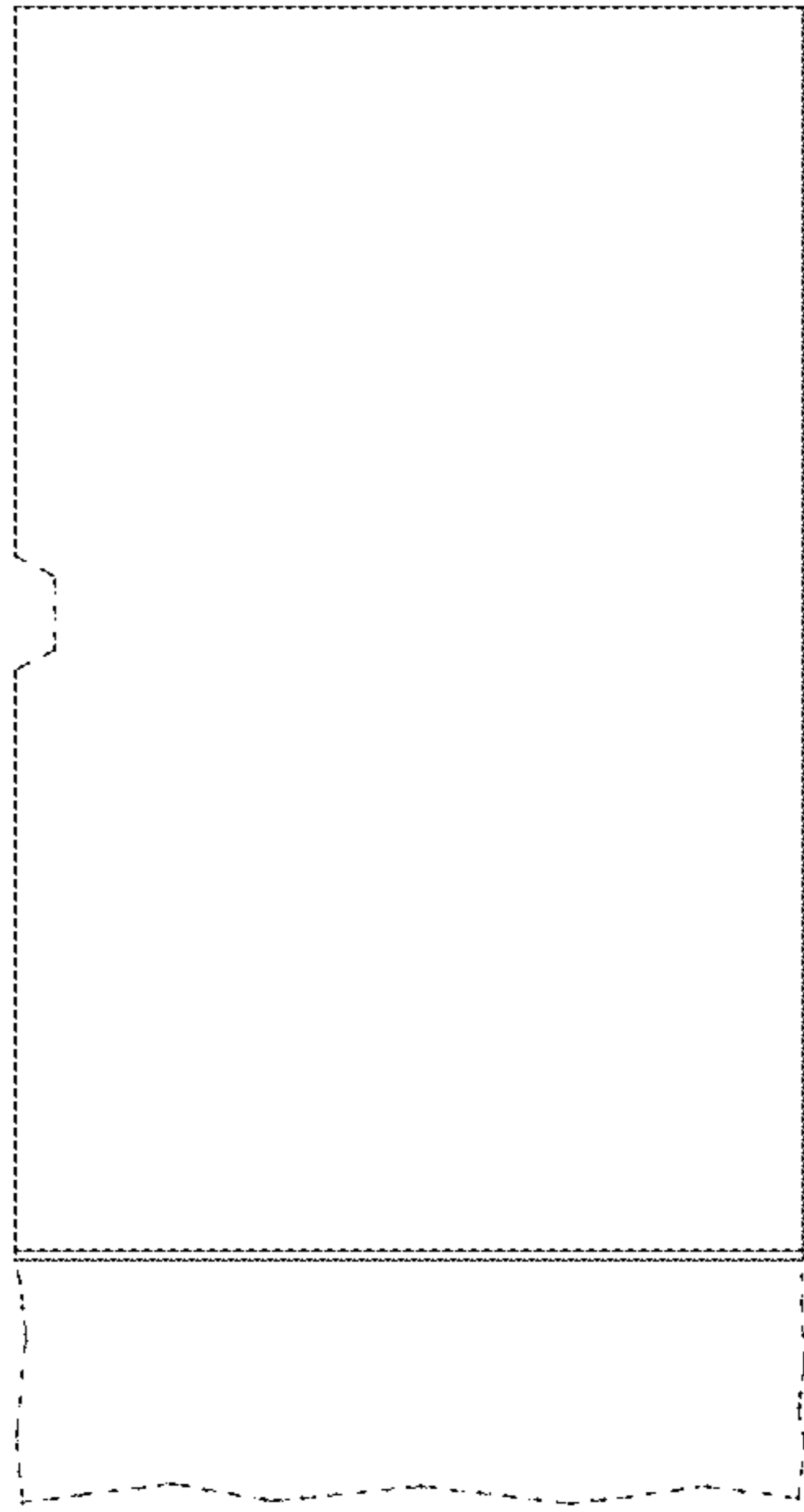


Fig.26

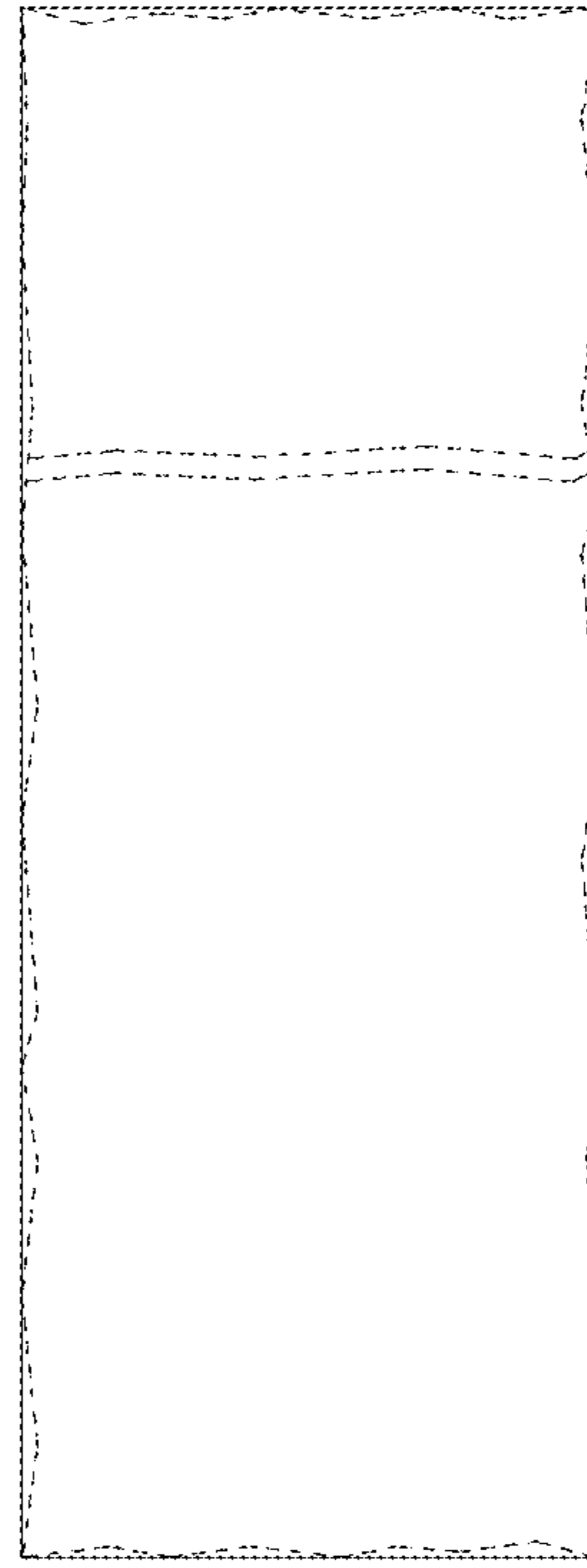


Fig.28

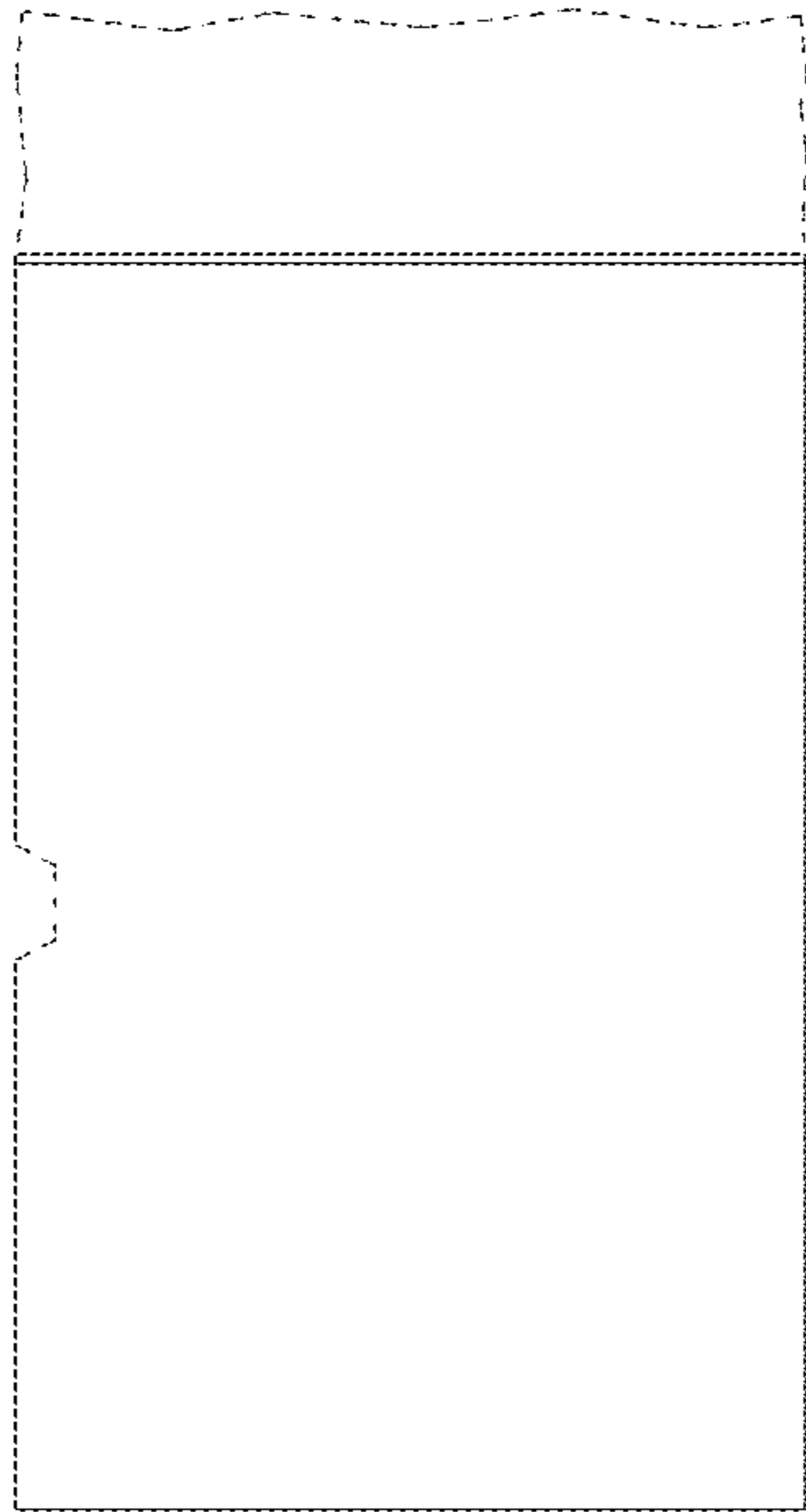
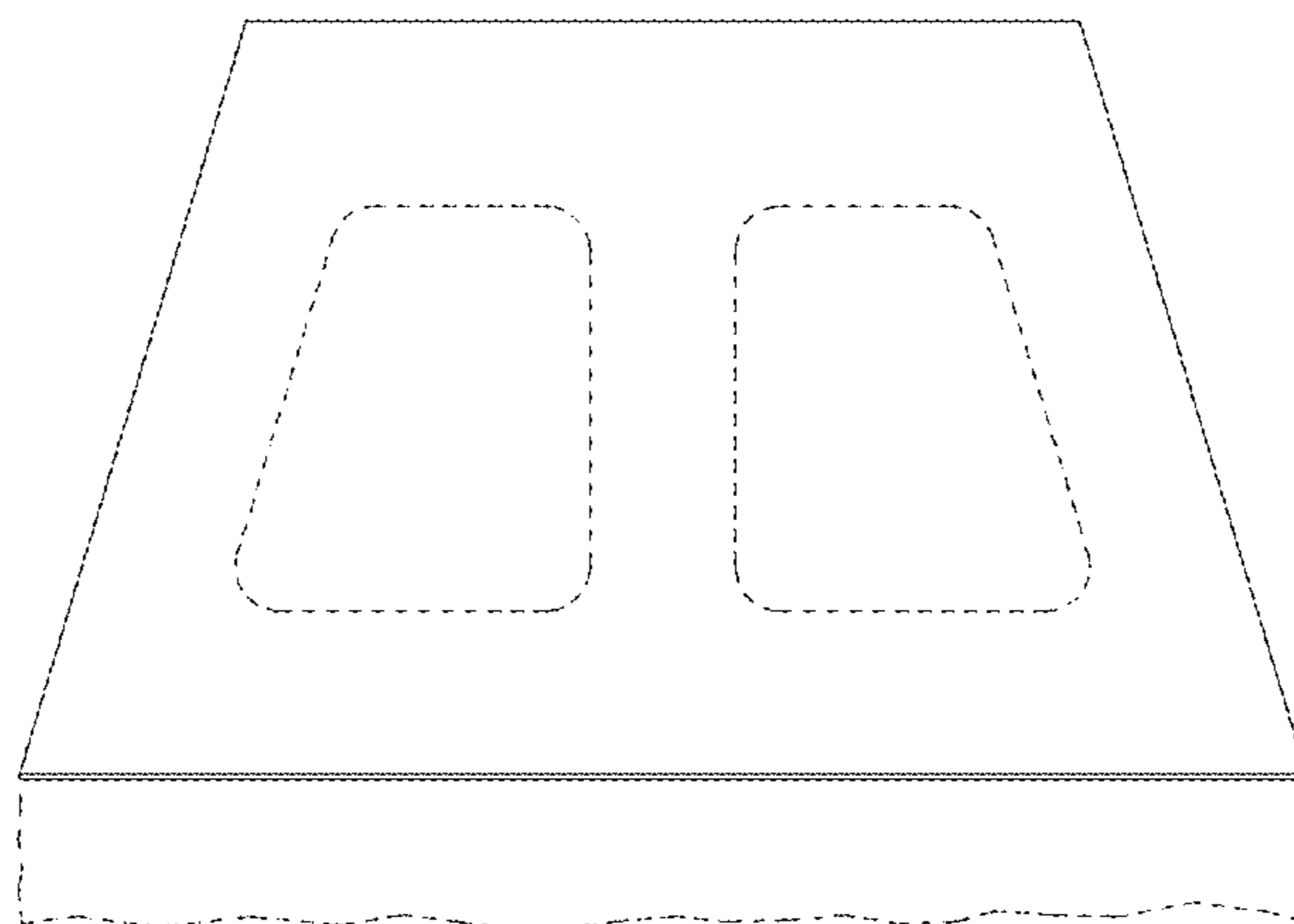
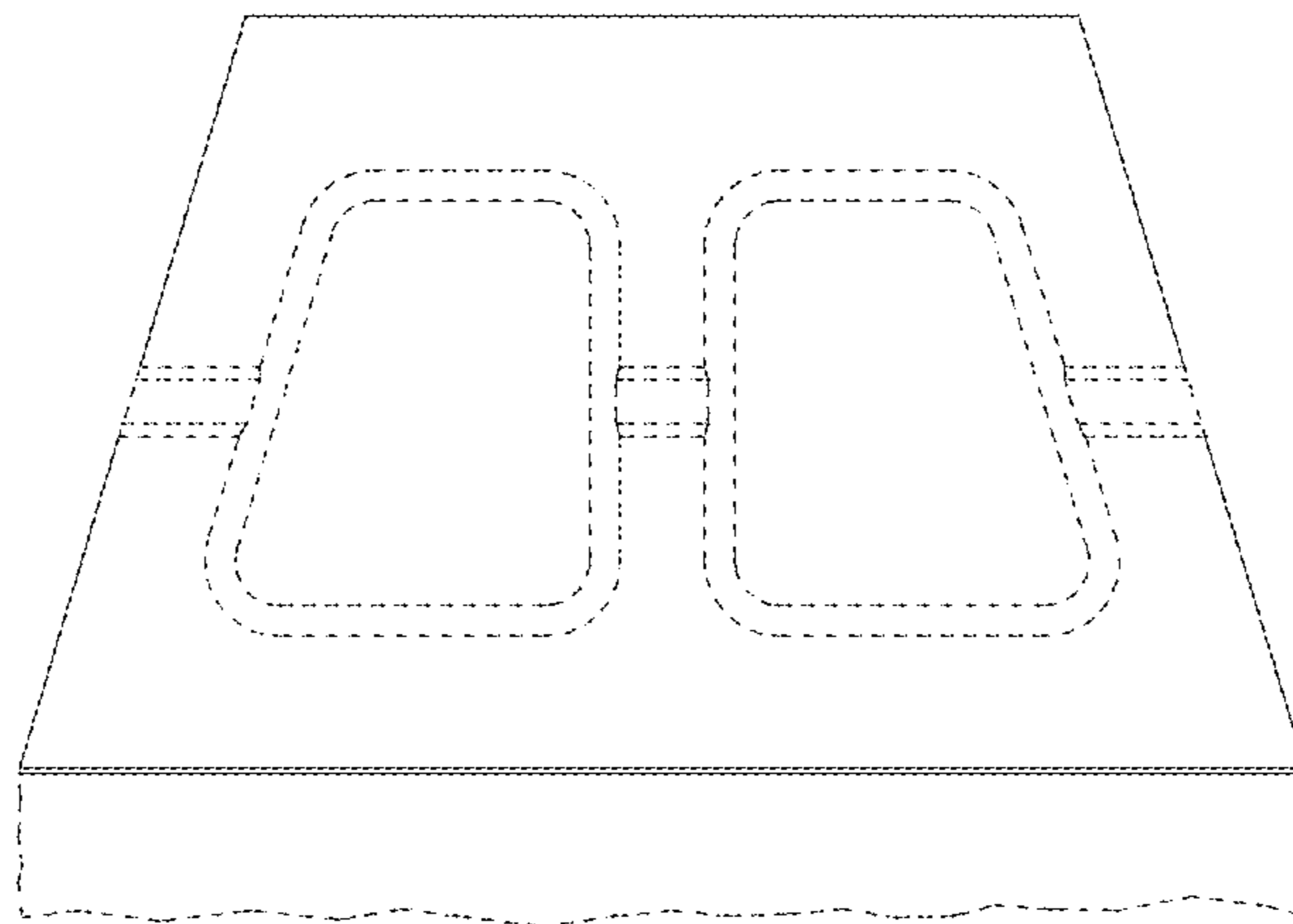
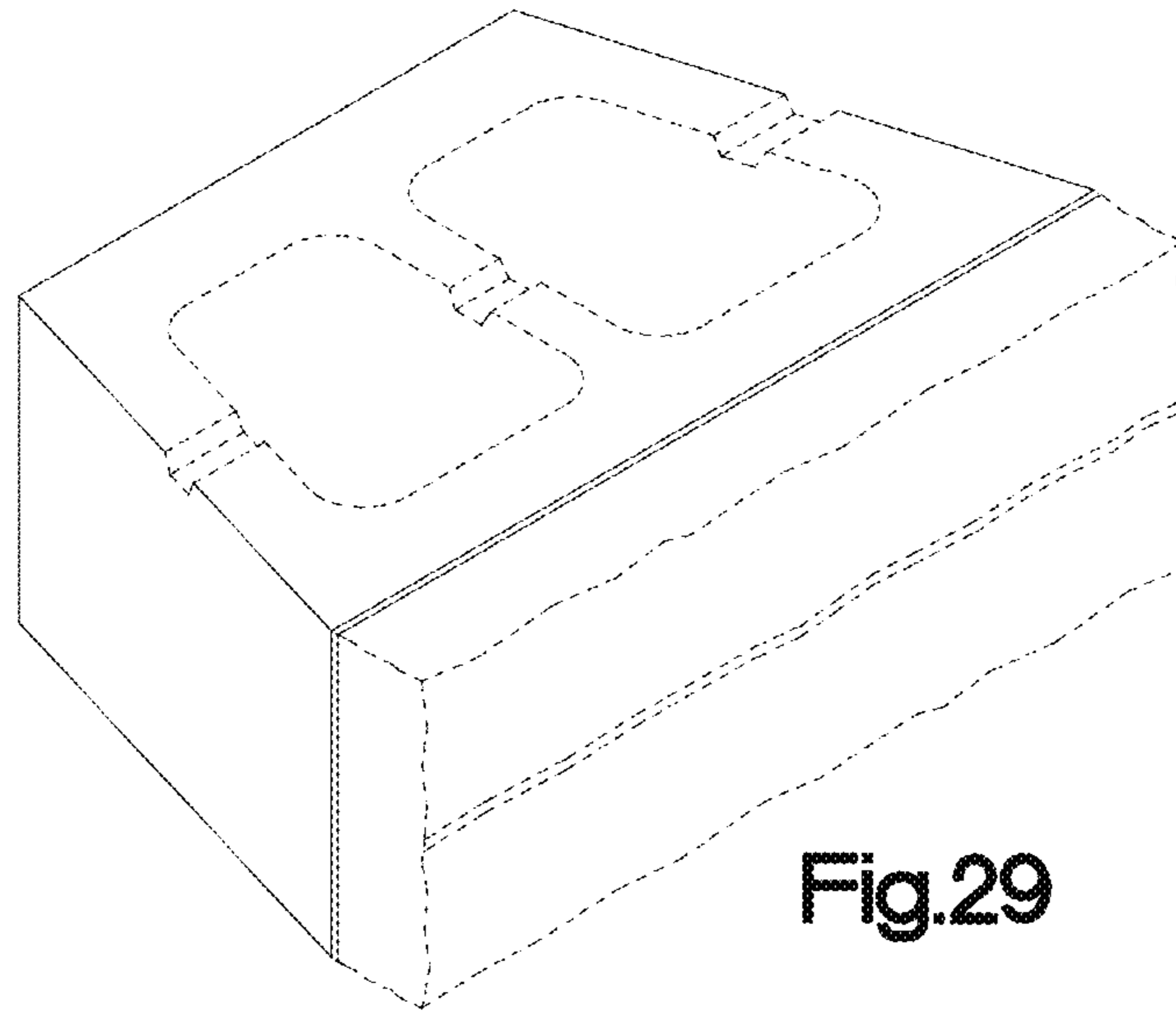


Fig.25



Fig.27



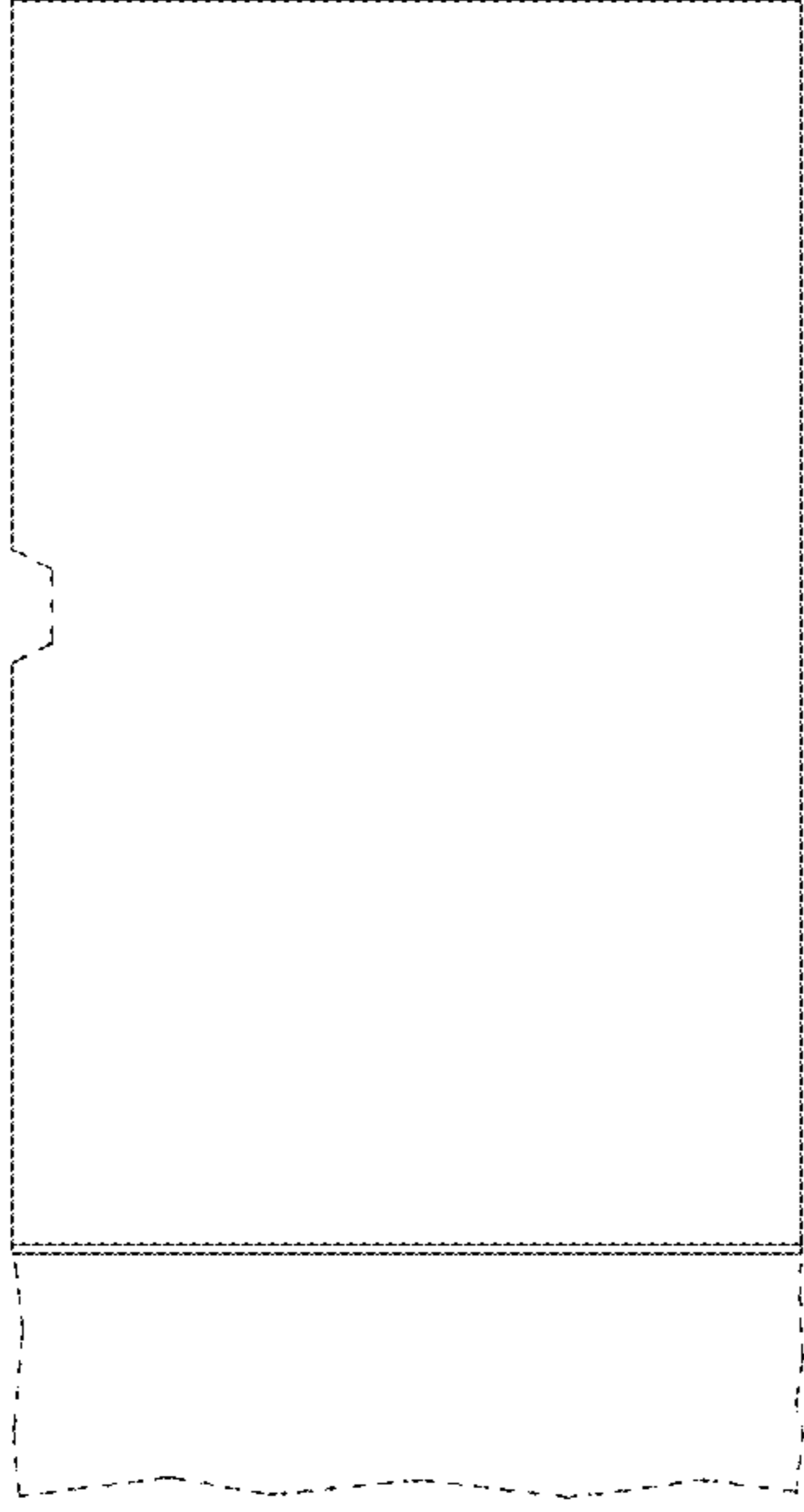


Fig.33

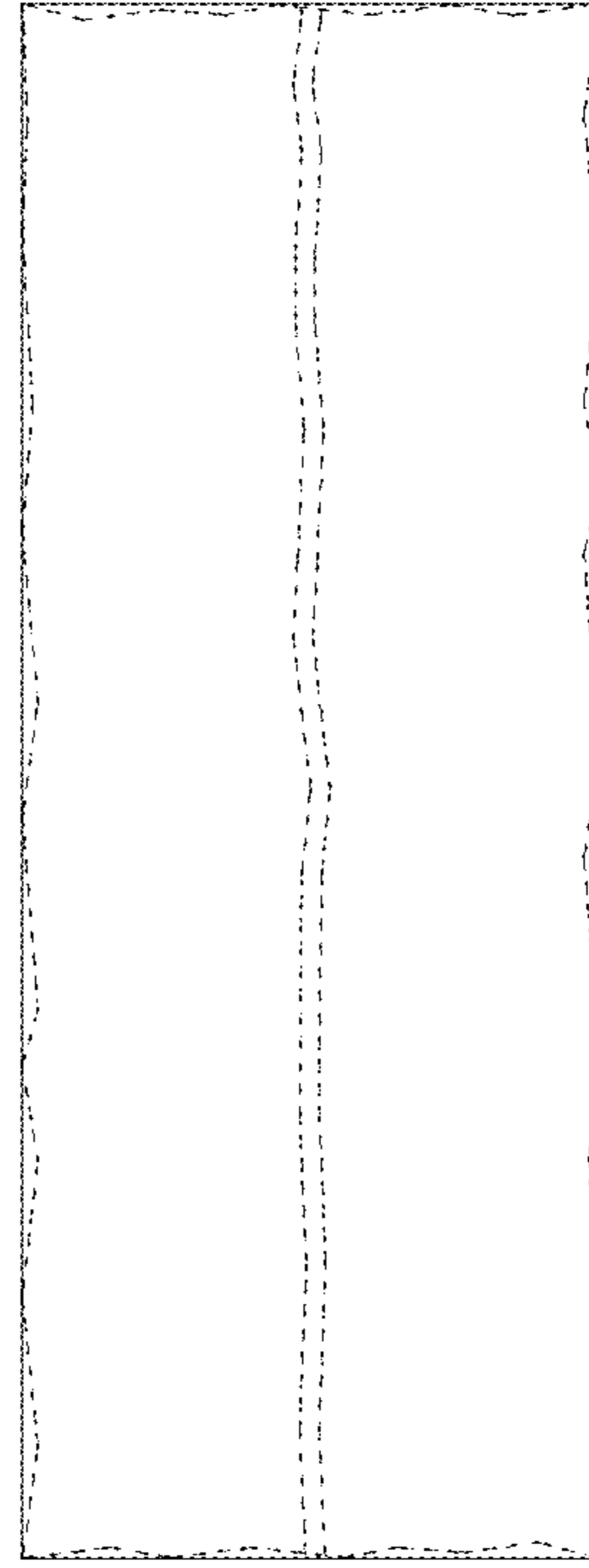


Fig.35

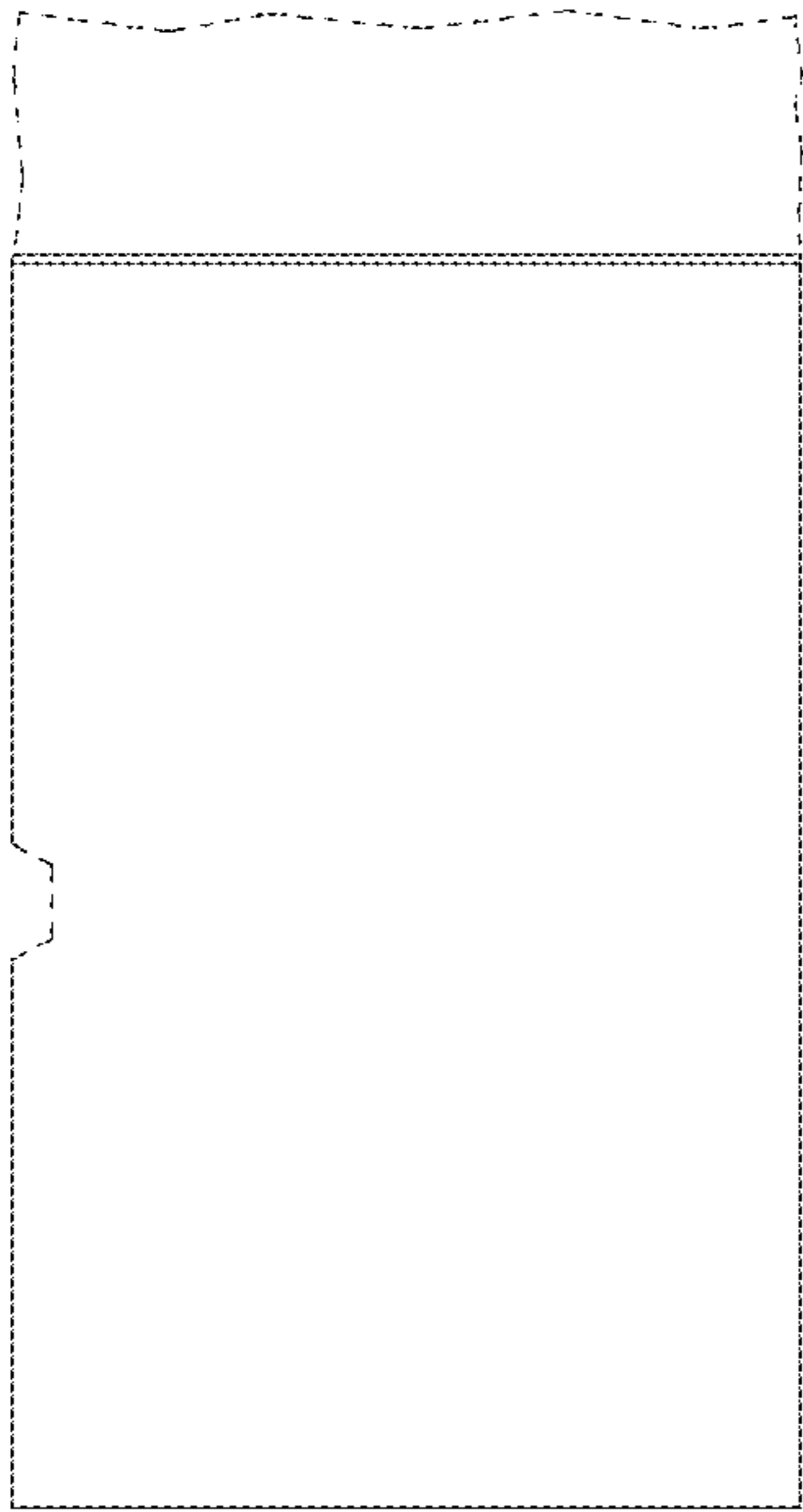


Fig.32

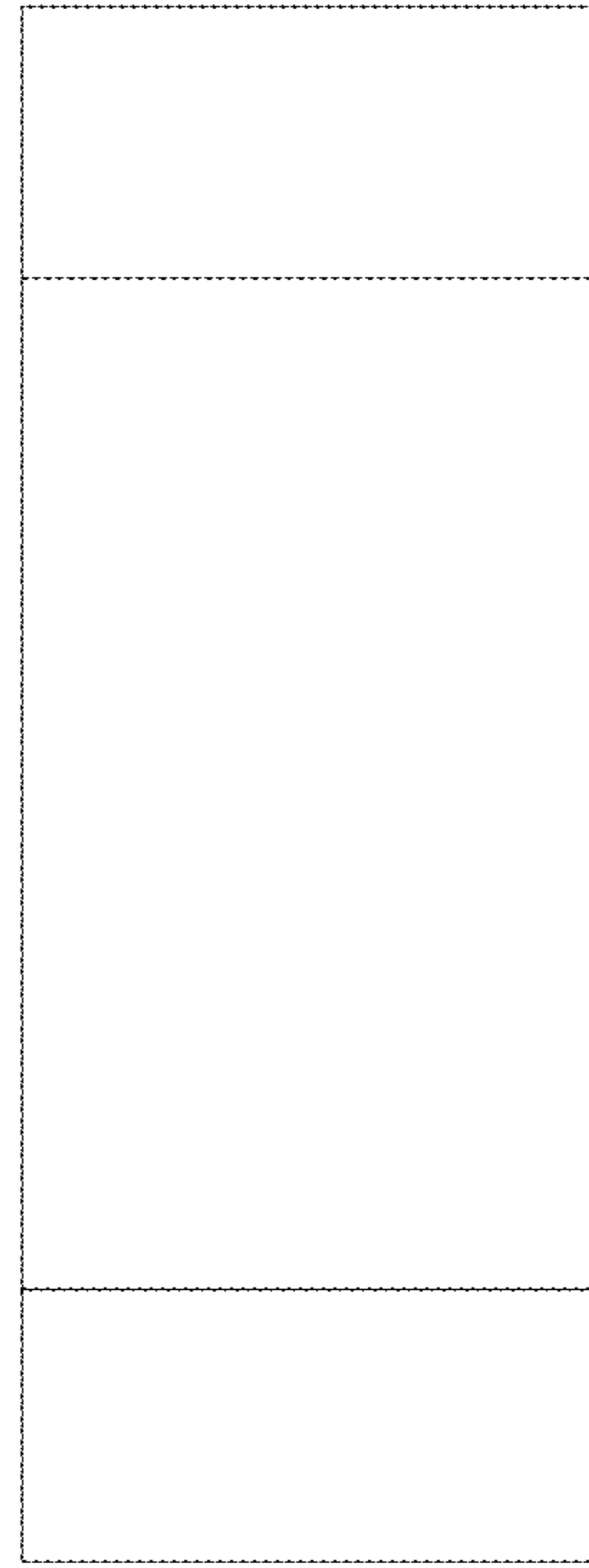


Fig.34

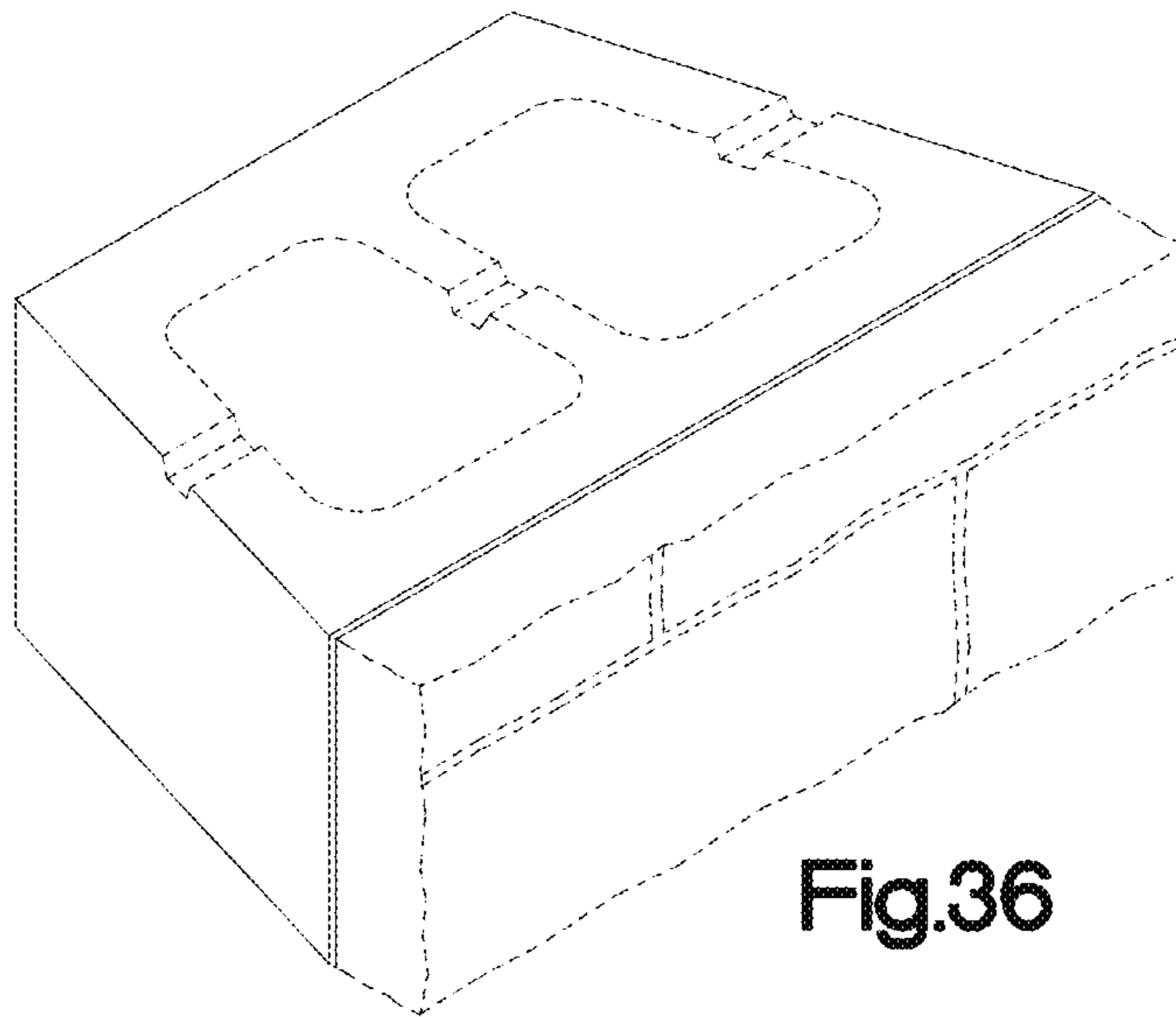


Fig.36

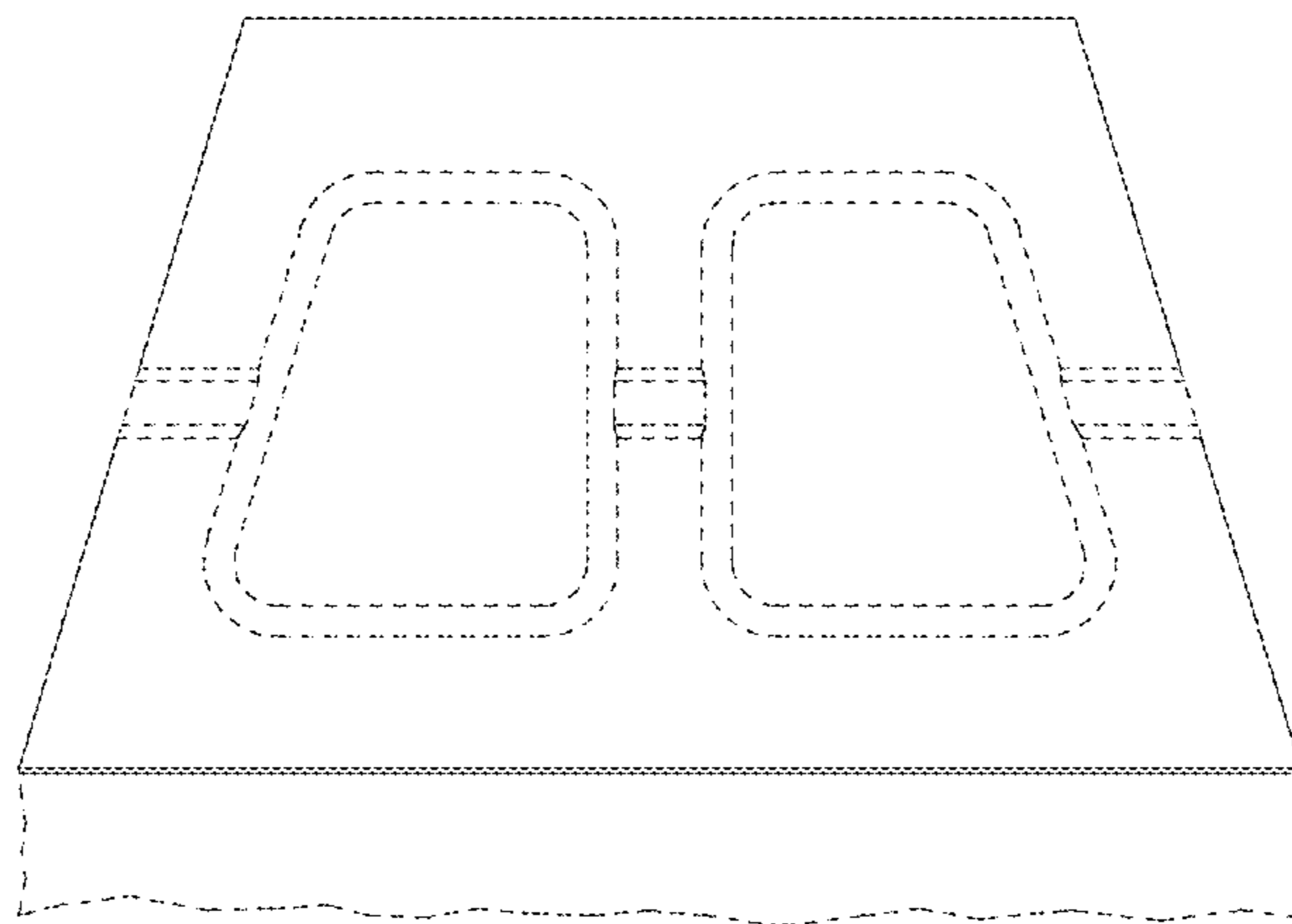


Fig.37

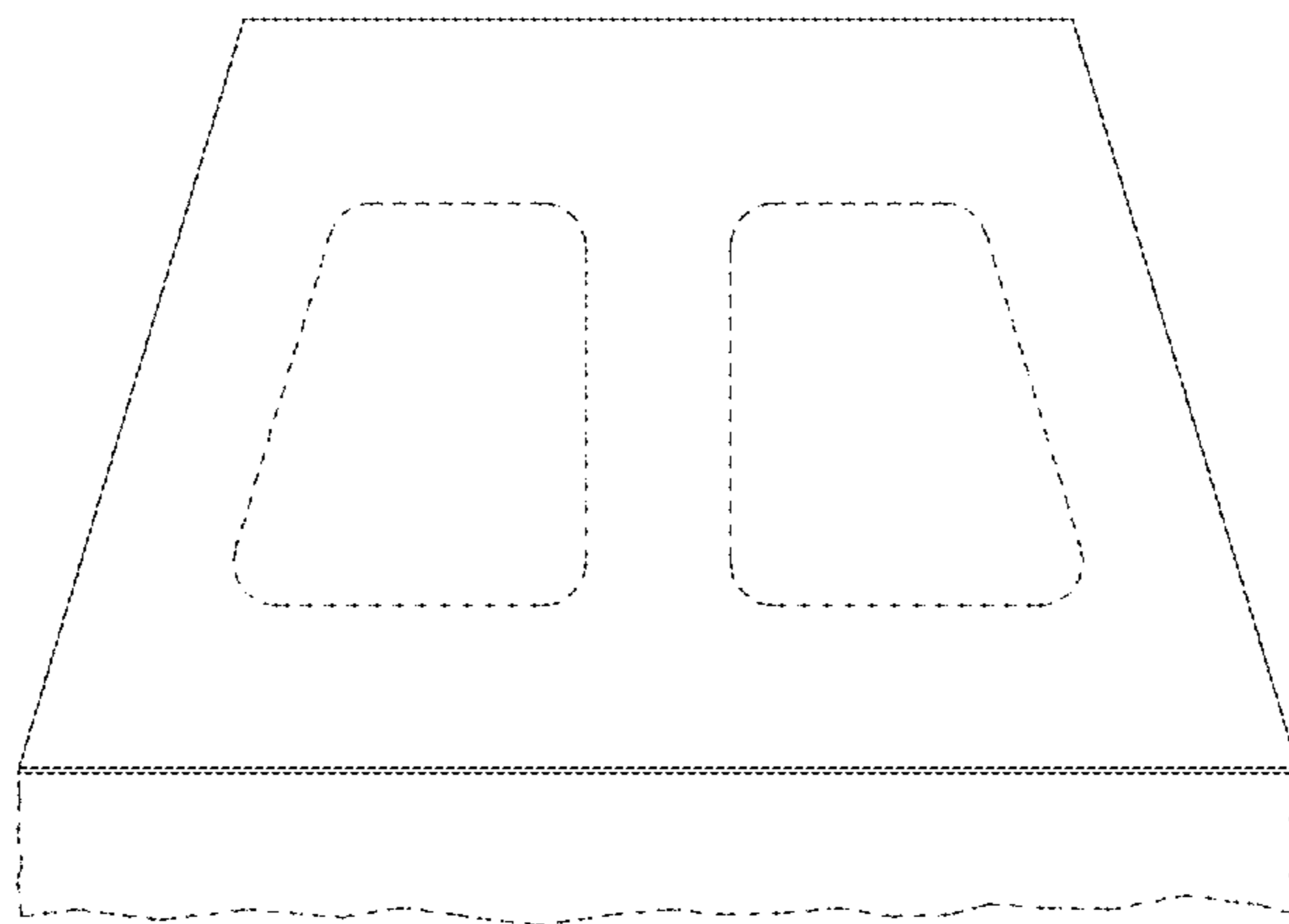


Fig.38

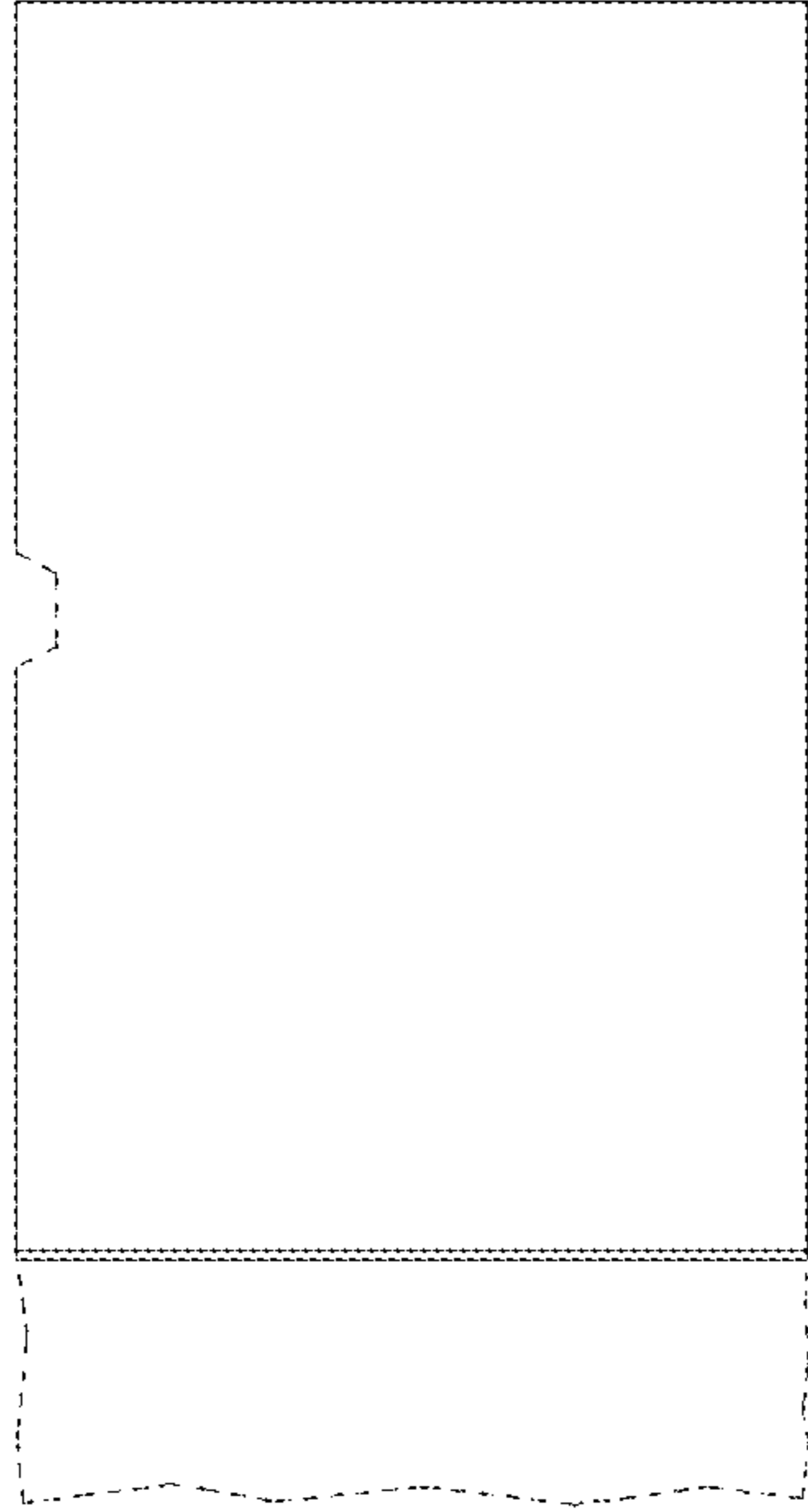


Fig.40

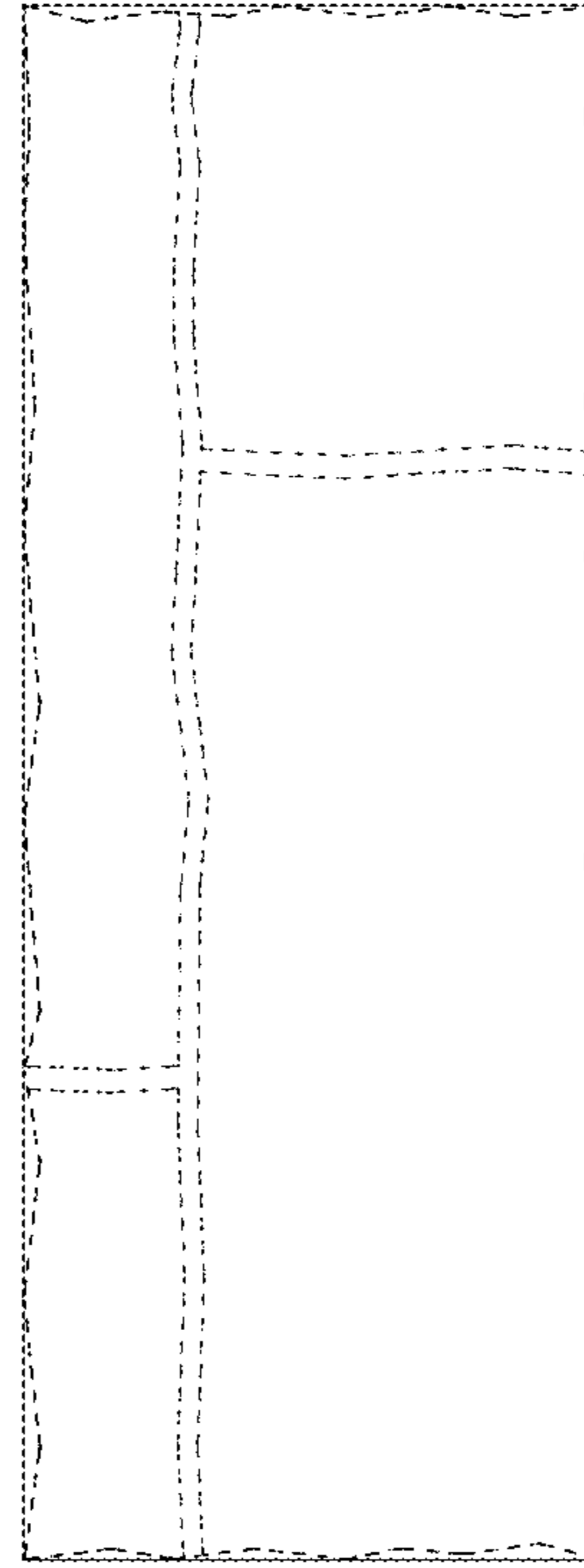


Fig.42

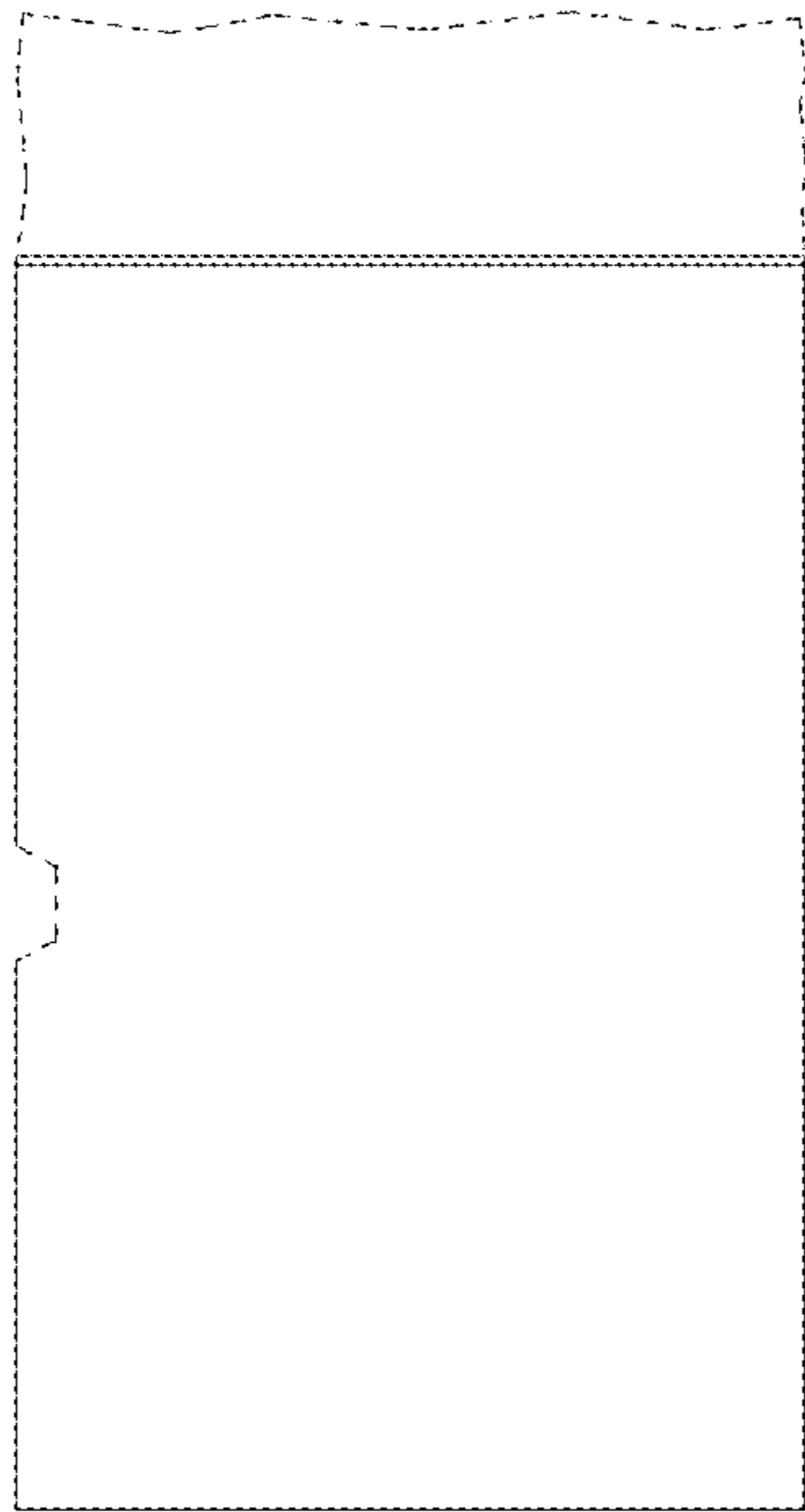


Fig.39



Fig.41

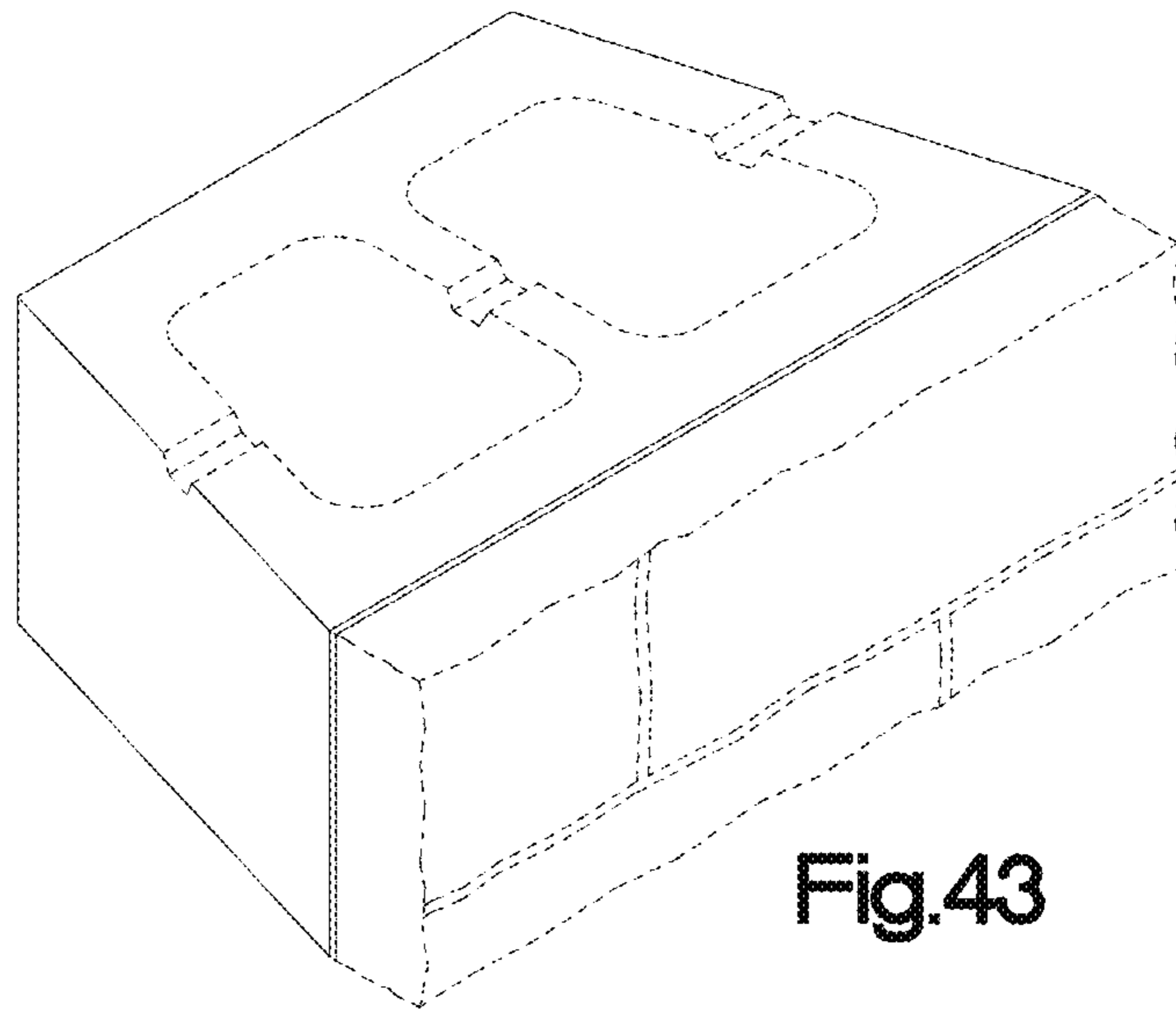


Fig.43

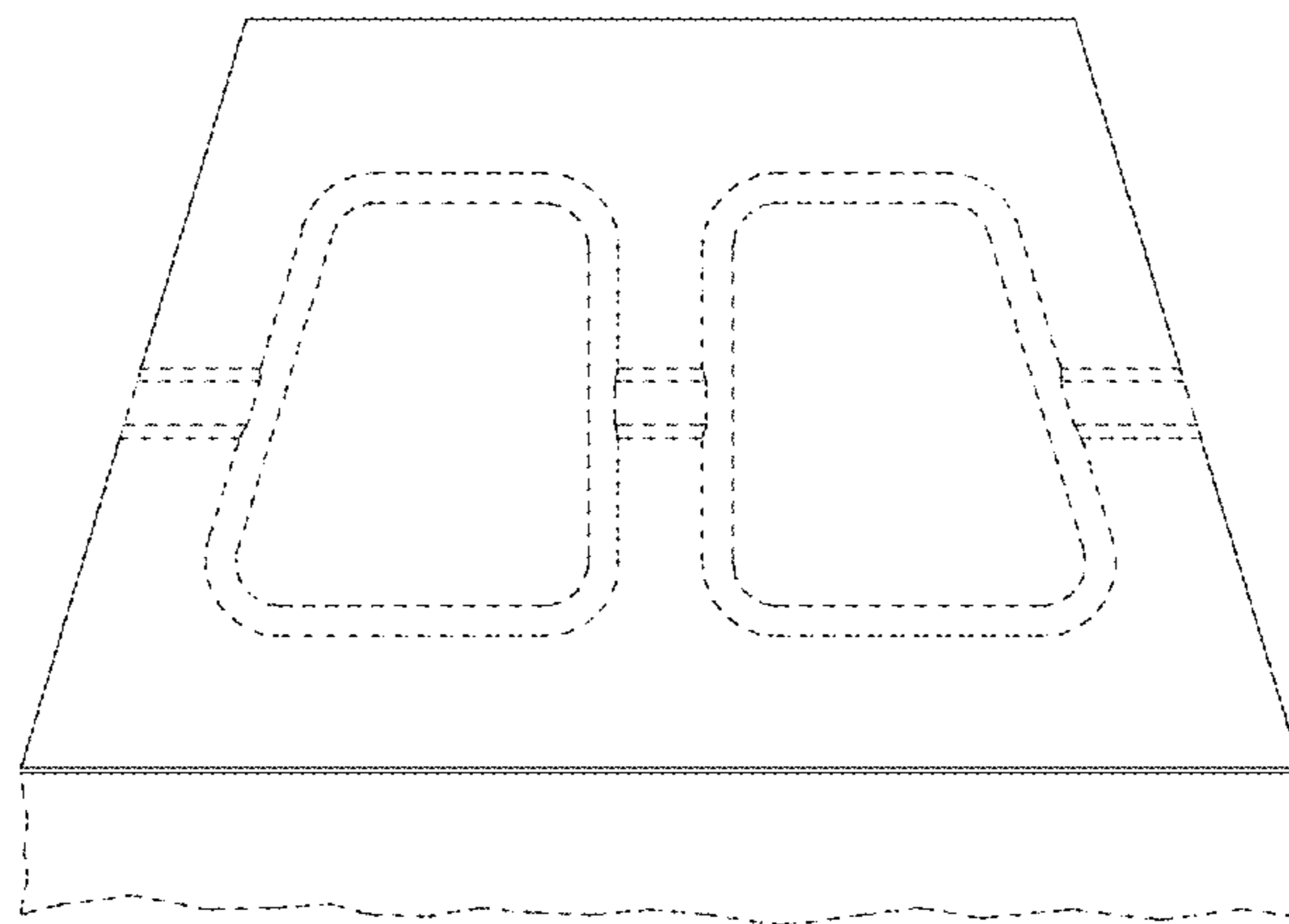


Fig.44

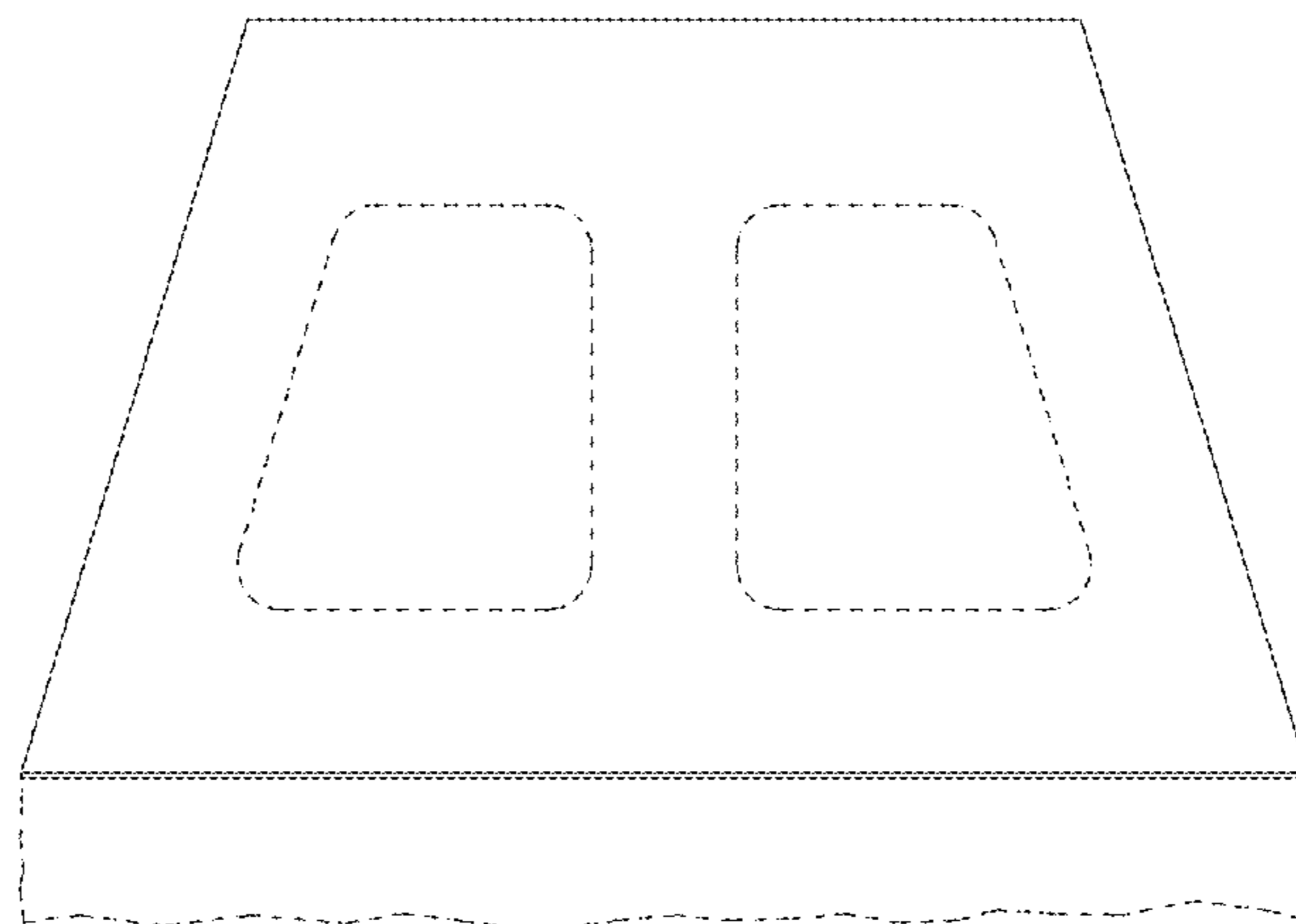


Fig.45

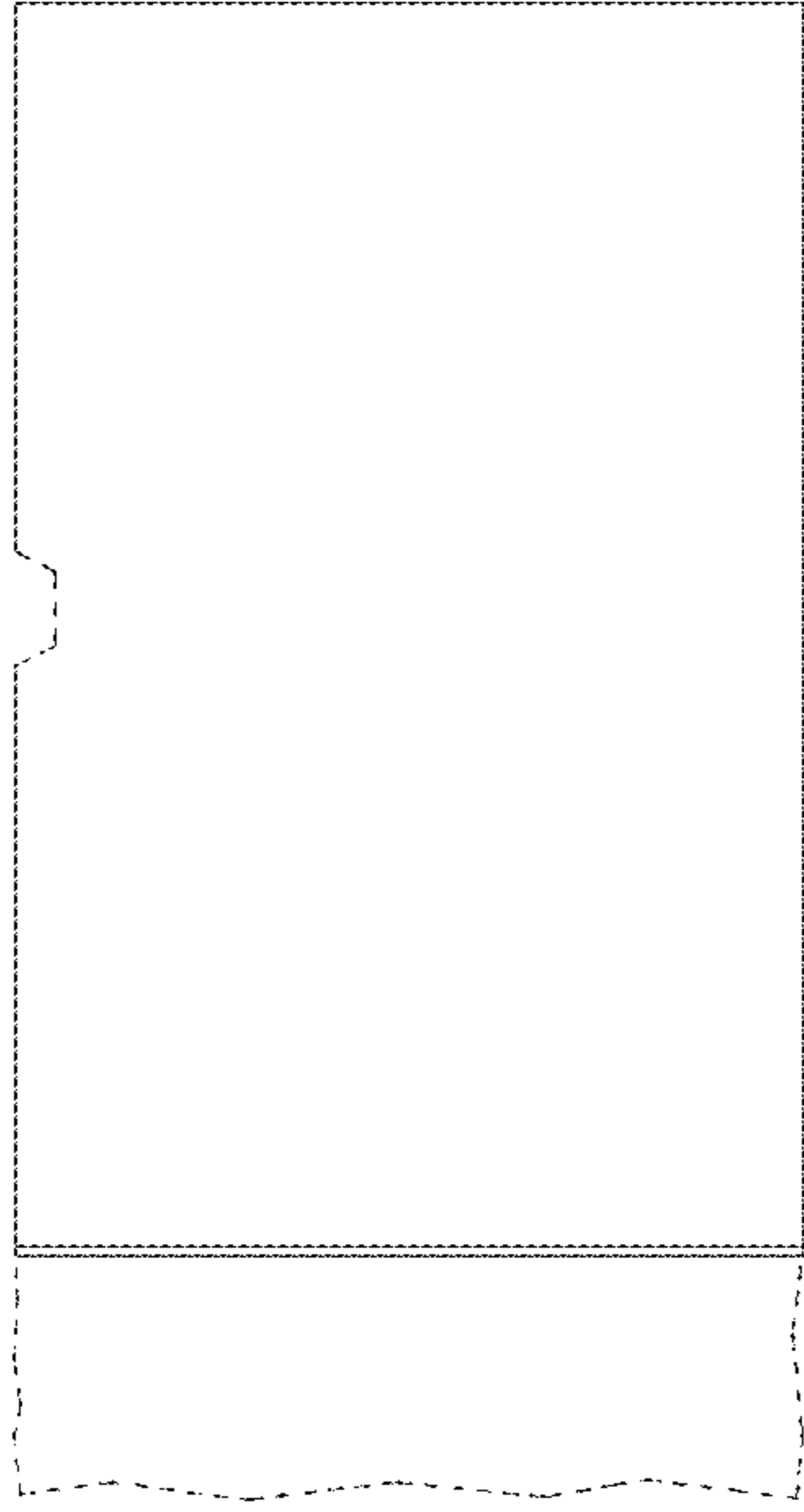


Fig.47

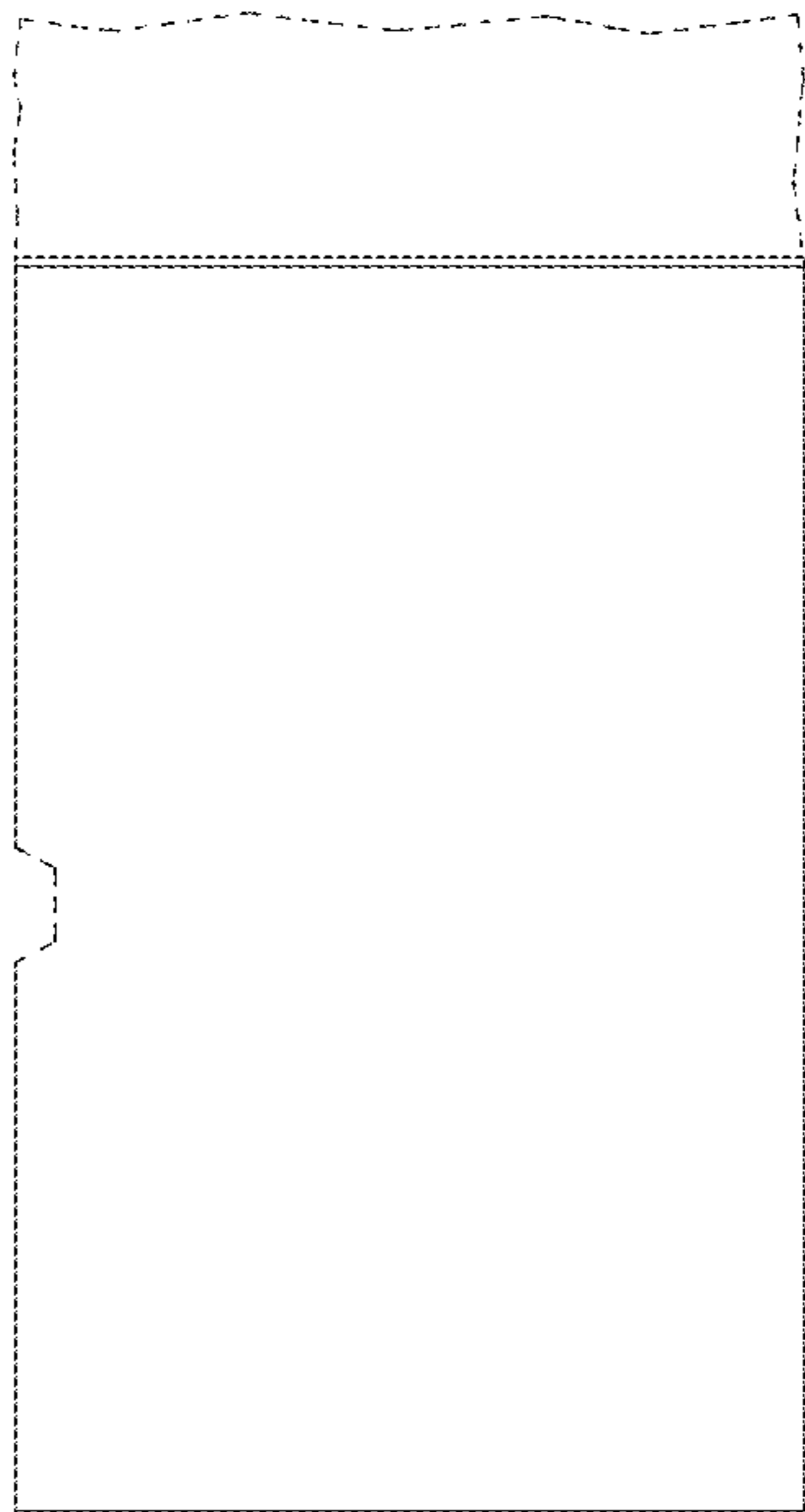


Fig.46

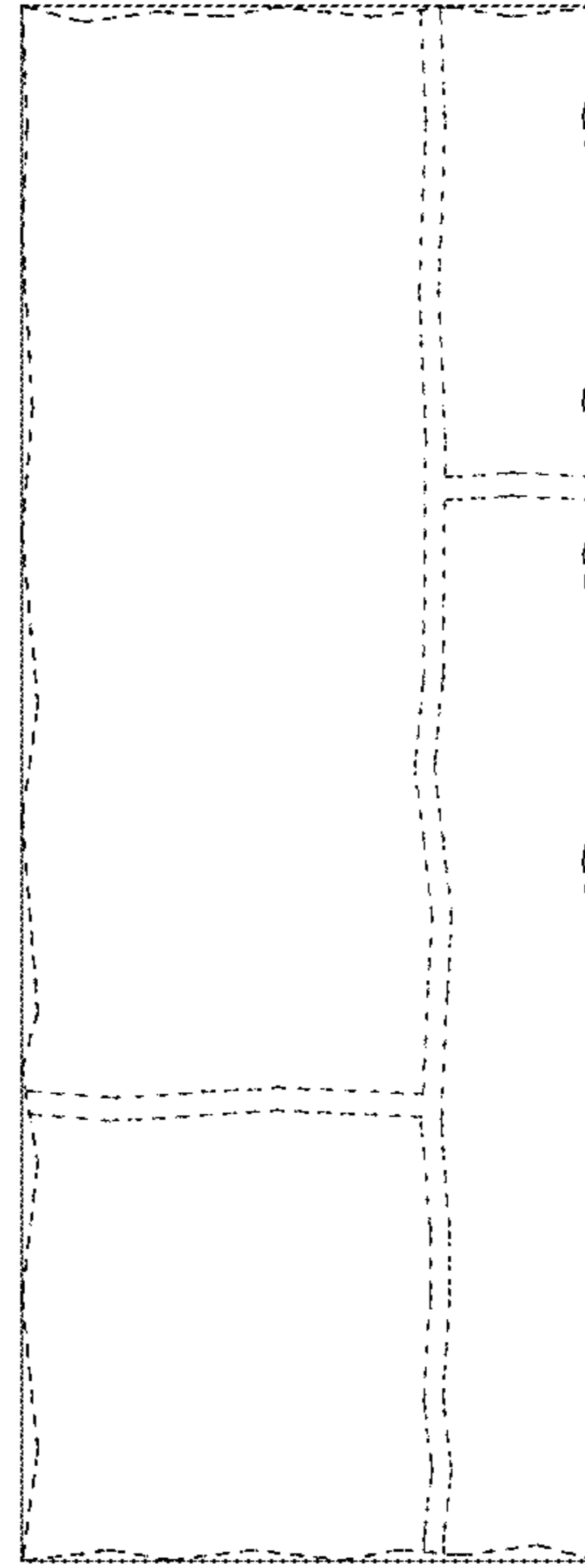


Fig.49

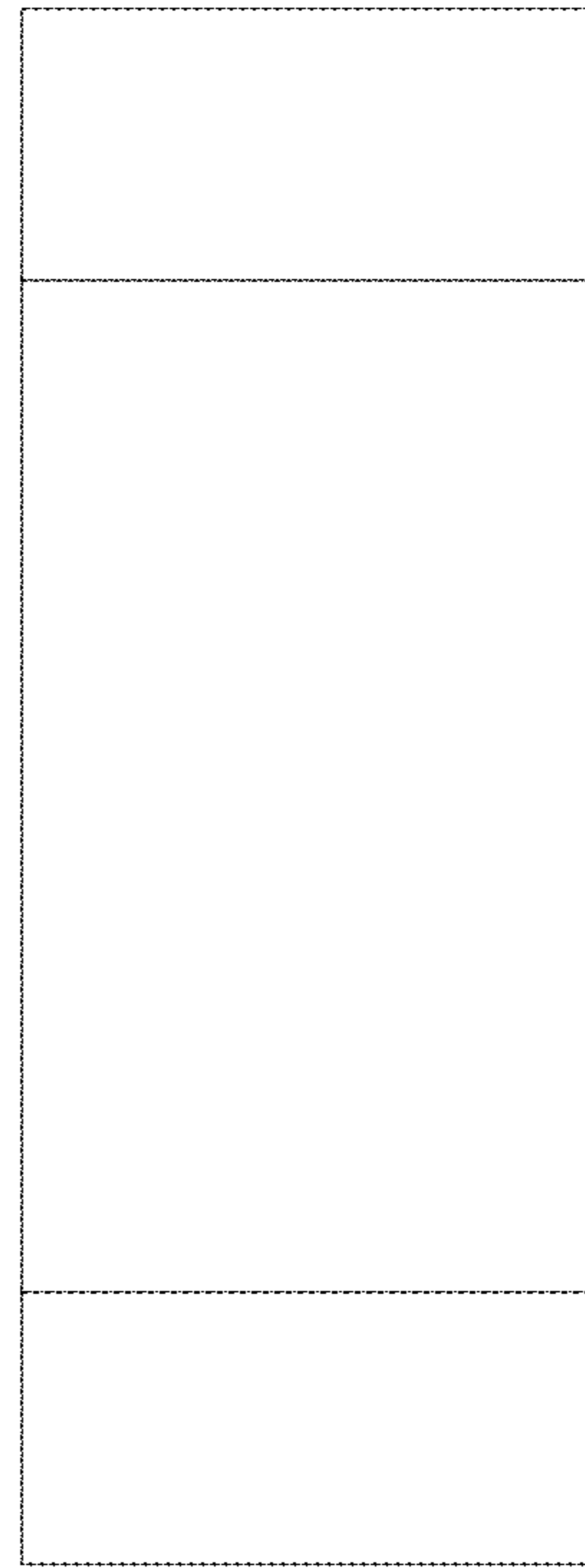


Fig.48