



US00D768873S

(12) **United States Design Patent**
Stedman et al.

(10) **Patent No.:** **US D768,873 S**

(45) **Date of Patent:** **** Oct. 11, 2016**

(54) **MULTIPLE CARTRIDGE CASE GAUGE**

(71) Applicants: **Roy William Stedman**, Austin, TX (US); **Timothy Patrick Meyers**, Austin, TX (US); **Ryan Dean Banks**, Dripping Springs, TX (US)

(72) Inventors: **Roy William Stedman**, Austin, TX (US); **Timothy Patrick Meyers**, Austin, TX (US); **Ryan Dean Banks**, Dripping Springs, TX (US)

(73) Assignee: **SHOCKBOTTLE LLC**, Austin, TX (US)

(**) Term: **14 Years**

(21) Appl. No.: **29/458,815**

(22) Filed: **Jun. 24, 2013**

(51) **LOC (10) Cl.** **24-02**

(52) **U.S. Cl.**
USPC **D24/227**

(58) **Field of Classification Search**
USPC D24/216, 224-232, 217; 422/552-553, 422/562; 211/69, 71-71, 74, 71.01, 85.18; 356/246; D28/61; 604/192; D19/37; D7/600.1

See application file for complete search history.

(56) **References Cited**

U.S. PATENT DOCUMENTS

3,356,462	A *	12/1967	Cooke	B01L 3/5085
					422/553
D246,466	S *	11/1977	Attree et al.	D24/226
D283,162	S *	3/1986	Godsey	D24/230
D302,207	S *	7/1989	Matkovich	D24/226
D369,415	S *	4/1996	Boulton et al.	D24/227
D414,271	S *	9/1999	Mendoza	D24/224
D420,142	S *	2/2000	Ballin et al.	D24/230
6,436,351	B1 *	8/2002	Gubernator	B01J 19/0046
					422/553
D464,734	S *	10/2002	Berna et al.	D24/216

D466,219	S *	11/2002	Wynschenk et al.	D24/227
D469,544	S *	1/2003	Lafond et al.	D24/224
D493,055	S *	7/2004	Ferretti	D6/552
D529,622	S *	10/2006	Hadjis et al.	D24/229
7,128,878	B2 *	10/2006	Muser	422/552
D533,948	S *	12/2006	Schaub et al.	D24/229
D574,505	S *	8/2008	Muller-Cohn et al.	D24/216
D574,506	S *	8/2008	Monks	D24/226
D622,860	S *	8/2010	Karpiloff	D24/230
D628,306	S *	11/2010	Blanc et al.	D24/230
D632,404	S *	2/2011	Karpiloff	D24/230
D639,447	S *	6/2011	Karpiloff	D24/230
D653,767	S *	2/2012	Lovshe	D24/230
8,142,740	B2 *	3/2012	Self	B01L 9/06
					422/562
D673,294	S *	12/2012	Motadel	D24/227
8,430,251	B2 *	4/2013	Fry et al.	211/85.18
D699,371	S *	2/2014	Williams et al.	D24/230
D712,205	S *	9/2014	Yoder	D7/600.1
2003/0211595	A1 *	11/2003	Lee	B01L 9/06
					211/74
2007/0262038	A1 *	11/2007	Harbison	A47F 5/0807
					211/162

* cited by examiner

Primary Examiner — T. Chase Nelson

Assistant Examiner — Mark Cavanna

(57) **CLAIM**

The ornamental design for a multiple cartridge case gauge, as shown.

DESCRIPTION

FIG. 1 is a perspective view of a multiple cartridge case gauge;

FIG. 2 is a front elevational view thereof;

FIG. 3 is a slightly enlarged rear elevational view thereof;

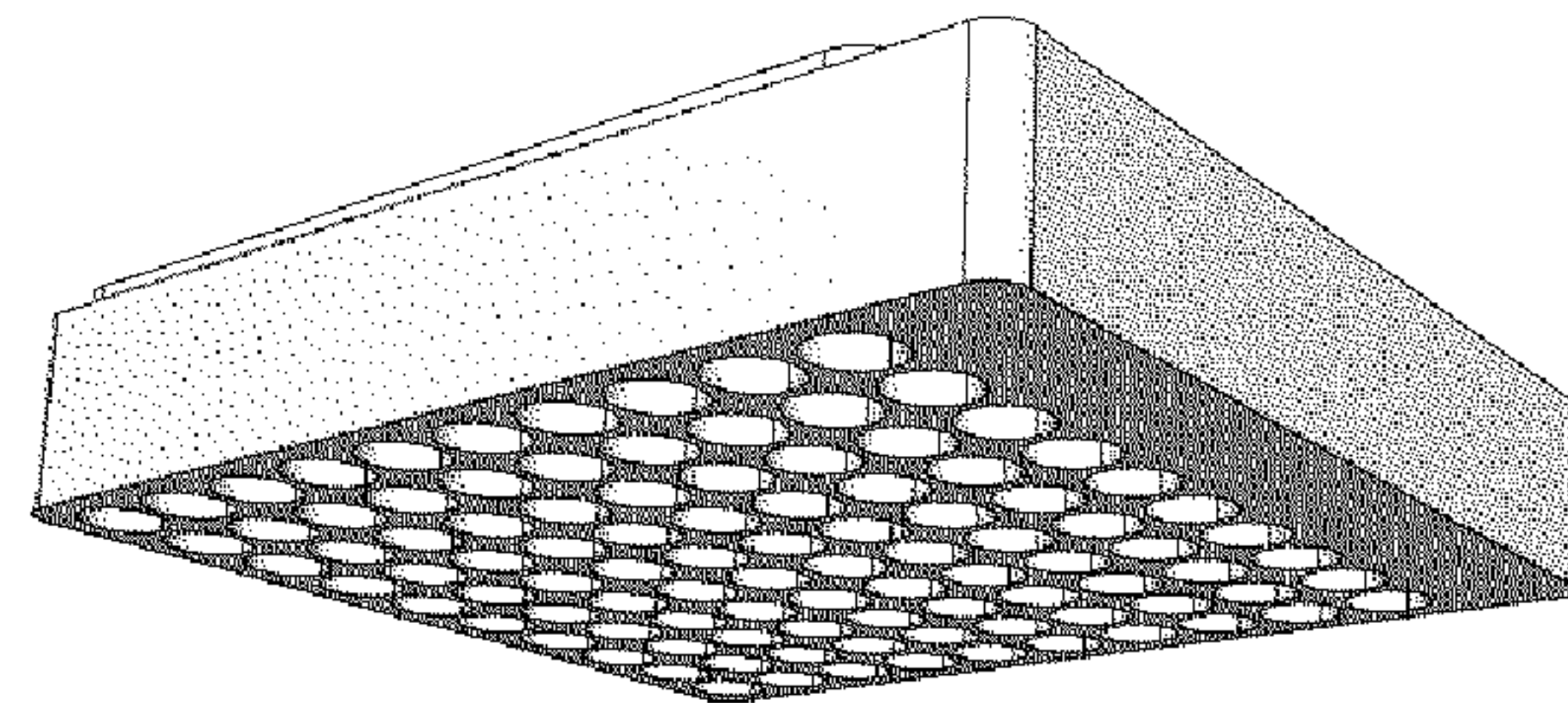
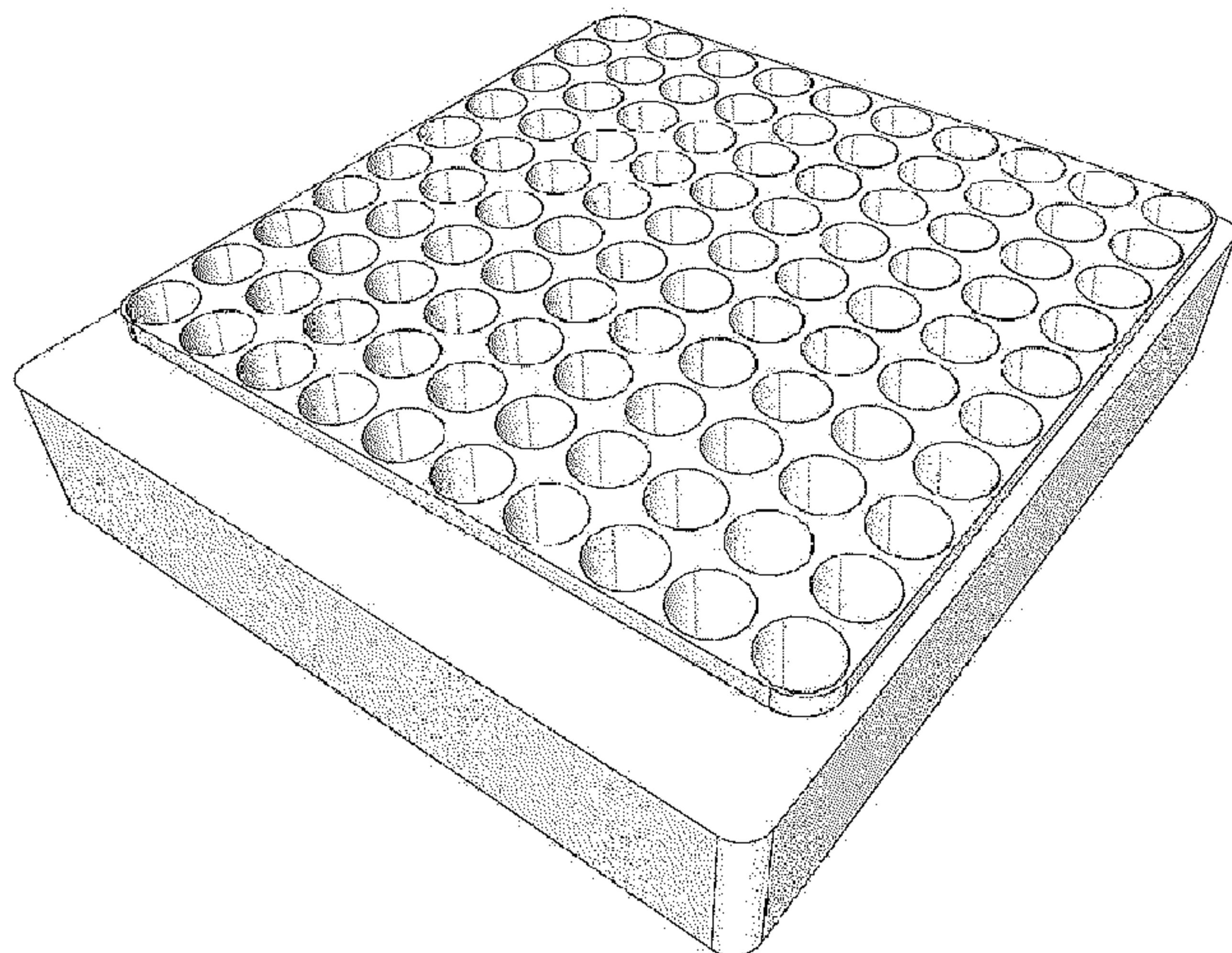
FIG. 4 is a side elevational view, the opposite side being a mirror image thereof;

FIG. 5 is a top rear perspective view thereof; and,

FIG. 6 is a reduced bottom perspective view thereof.

Stippling in the figures shows contour and not surface ornamentation.

1 Claim, 3 Drawing Sheets



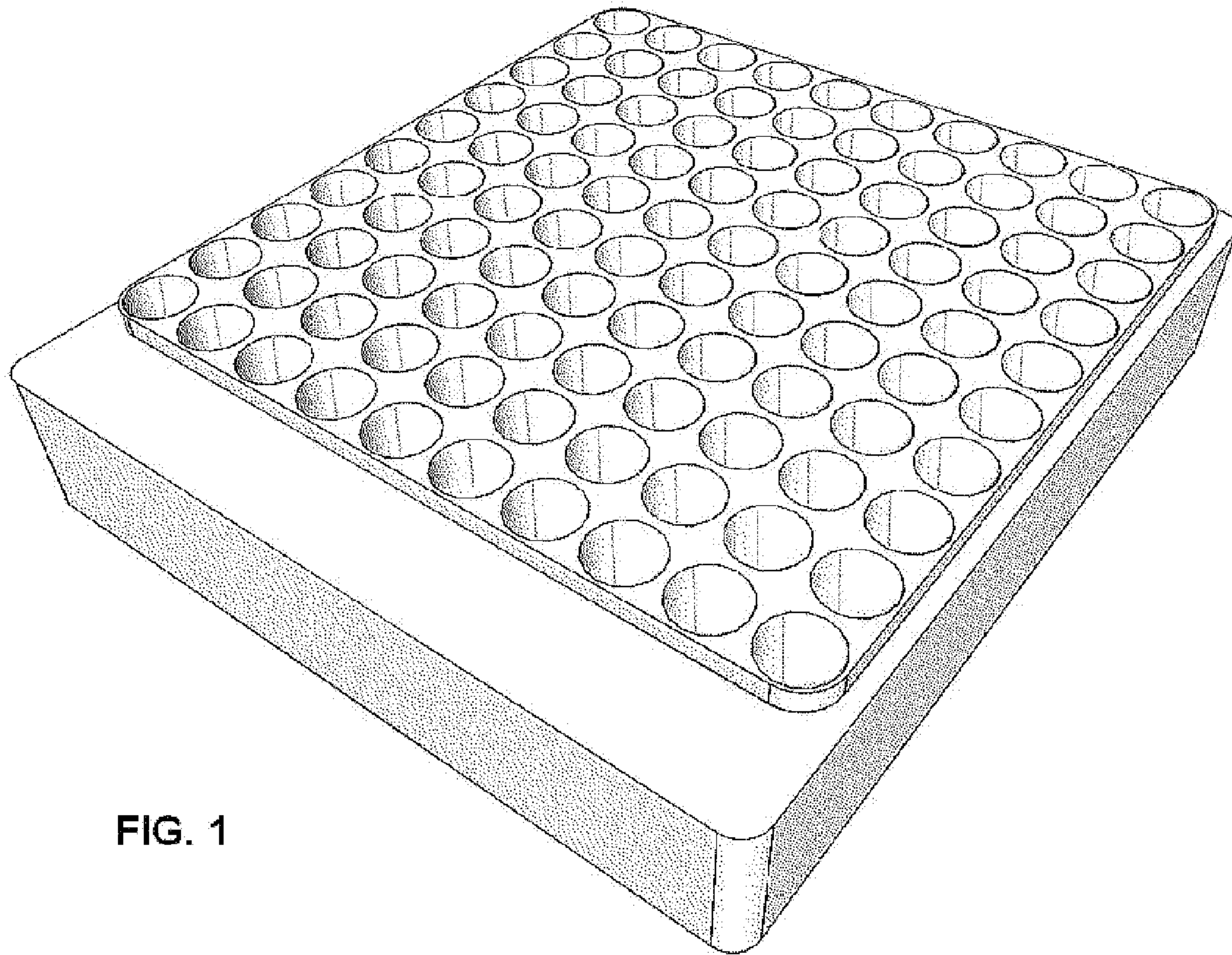


FIG. 1

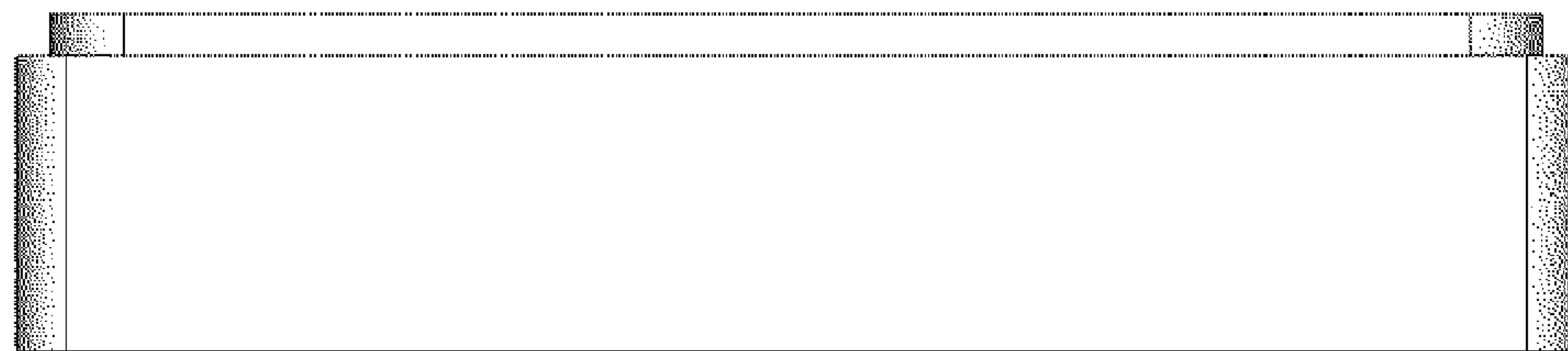


FIG. 2

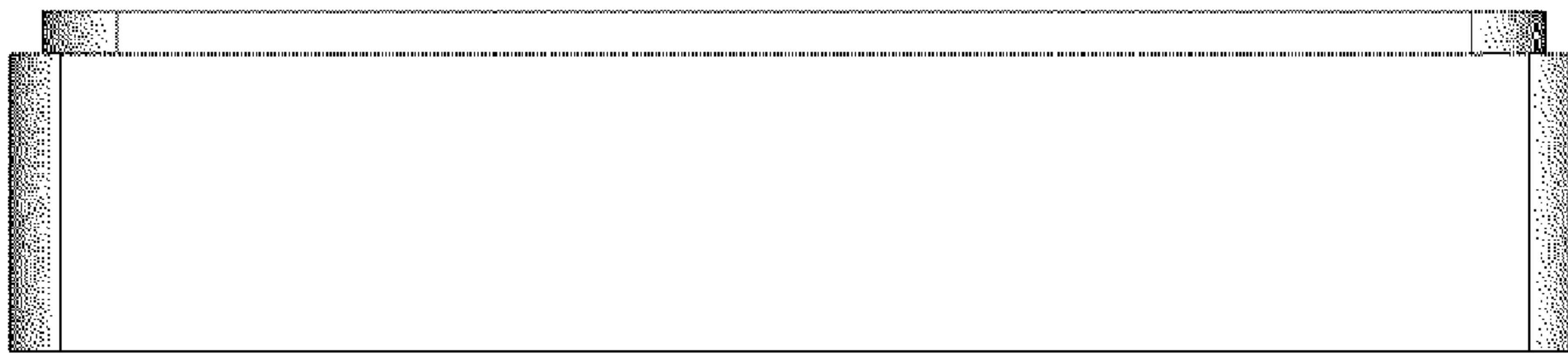


FIG. 3

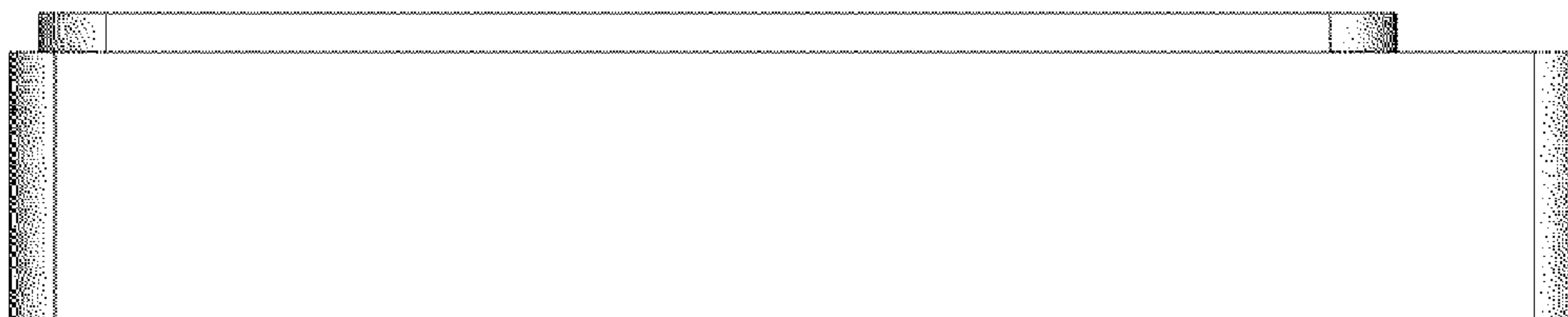


FIG. 4

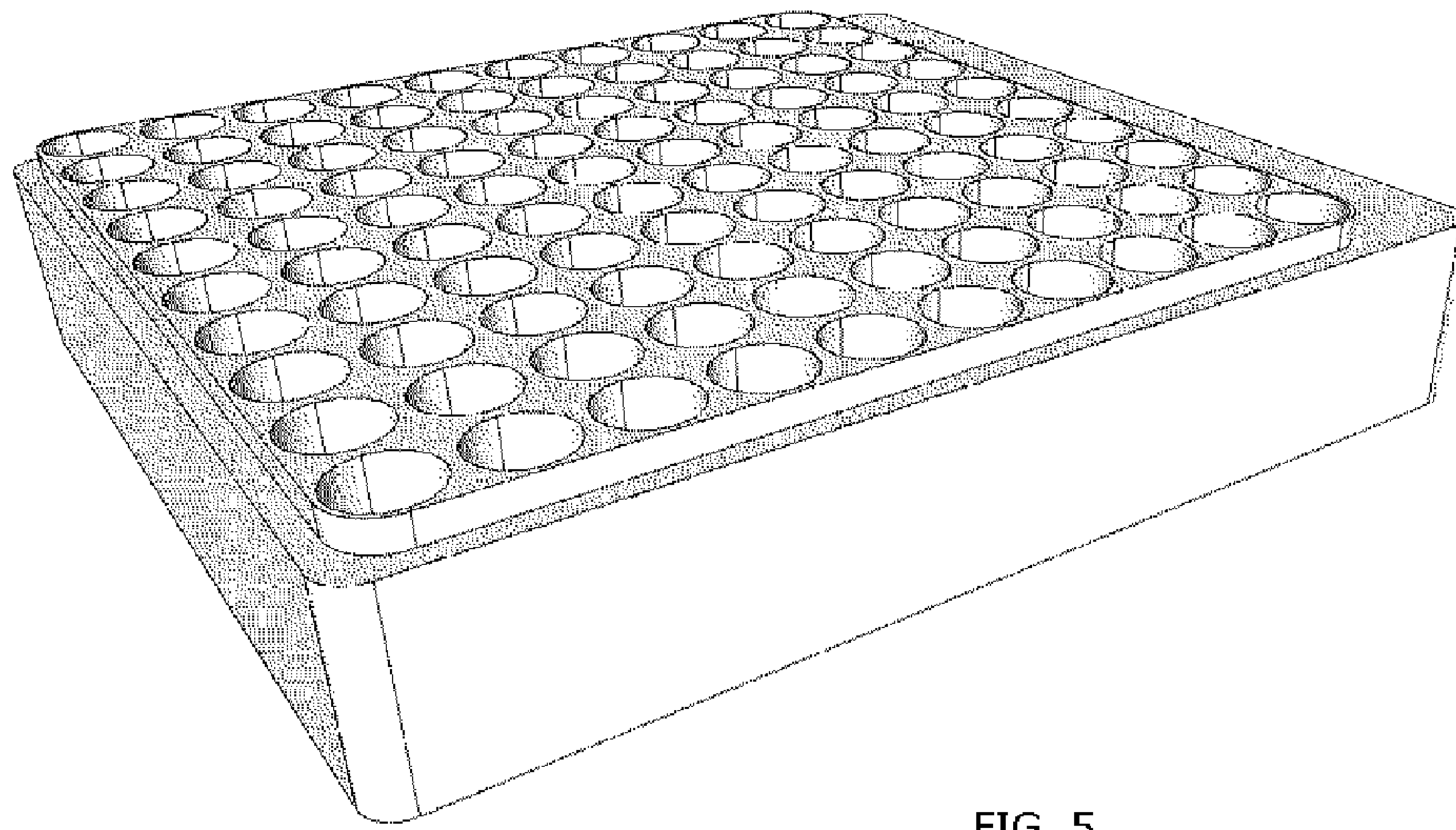


FIG. 5

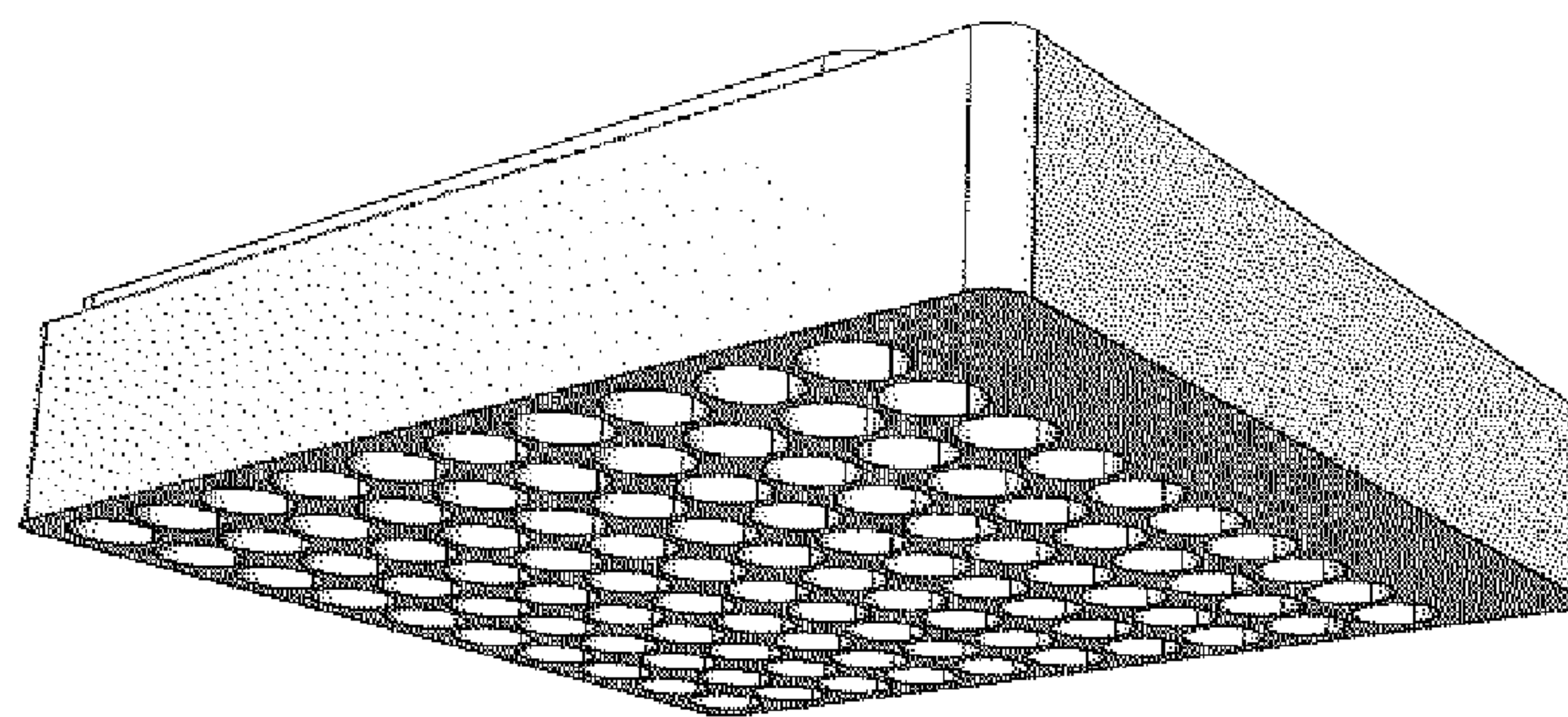


FIG. 6