



US00D768872S

(12) **United States Design Patent** (10) **Patent No.:** **US D768,872 S**
Huhta et al. (45) **Date of Patent:** **** *Oct. 11, 2016**

(54) **CUVETTE FOR A WATER ANALYSIS INSTRUMENT**

(71) Applicant: **Hach Company**, Loveland, CO (US)

(72) Inventors: **Jeffrey Huhta**, Loveland, CO (US);
Steven J. Takacs, Evans, CO (US);
Robert Stoughton, Boulder, CO (US);
Rainer Frömel, Troisdorf (DE);
Markus Lenhard, Viersen (DE); **Isabel Hünig**, Düsseldorf (DE); **Ulrich Lundgreen**, Gütersloh (DE); **Aria Farjam**, Düsseldorf (DE)

(73) Assignee: **Hach Company**, Loveland, CO (US)

(*) Notice: This patent is subject to a terminal disclaimer.

(**) Term: **14 Years**

(21) Appl. No.: **29/497,679**

(22) Filed: **Jul. 28, 2014**

Related U.S. Application Data

(63) Continuation of application No. 29/439,569, filed on Dec. 12, 2012, now abandoned.

(51) **LOC (10) Cl.** **24-01**

(52) **U.S. Cl.**

USPC **D24/225**

(58) **Field of Classification Search**

USPC D24/169, 186, 216, 223–226, 231, 232;
D10/81; 436/165, 169; 422/68.1, 82.1,
422/400, 401, 402, 403, 554, 565

See application file for complete search history.

(56) **References Cited**

U.S. PATENT DOCUMENTS

5,234,813 A 8/1993 Mcgeehan
5,250,259 A 10/1993 Suda

5,277,871 A 1/1994 Fujii
5,290,678 A 3/1994 Jackowski
5,304,487 A 4/1994 Wilding
5,338,689 A 8/1994 Yves
5,372,948 A 12/1994 Yip
5,399,486 A 3/1995 Cathey
5,427,739 A 6/1995 Meserol
5,478,751 A 12/1995 Oosta
5,498,392 A 3/1996 Wilding
5,503,985 A 4/1996 Cathey
5,504,411 A 4/1996 McCaleb
5,534,226 A 7/1996 Gavin

(Continued)

FOREIGN PATENT DOCUMENTS

AU 2003262455 A1 12/2003
AU 2014202724 A1 6/2004

(Continued)

Primary Examiner — Anhdao Doan

(74) *Attorney, Agent, or Firm* — Ference & Associates LLC

(57) **CLAIM**

The ornamental design for a cuvette for a water analysis instrument, as shown and described.

DESCRIPTION

FIG. 1 is a perspective view of the ornamental design for a cuvette for a water analysis instrument.

FIG. 2 is a bottom view thereof.

FIG. 3 is a top view thereof.

FIG. 4 is a front view thereof.

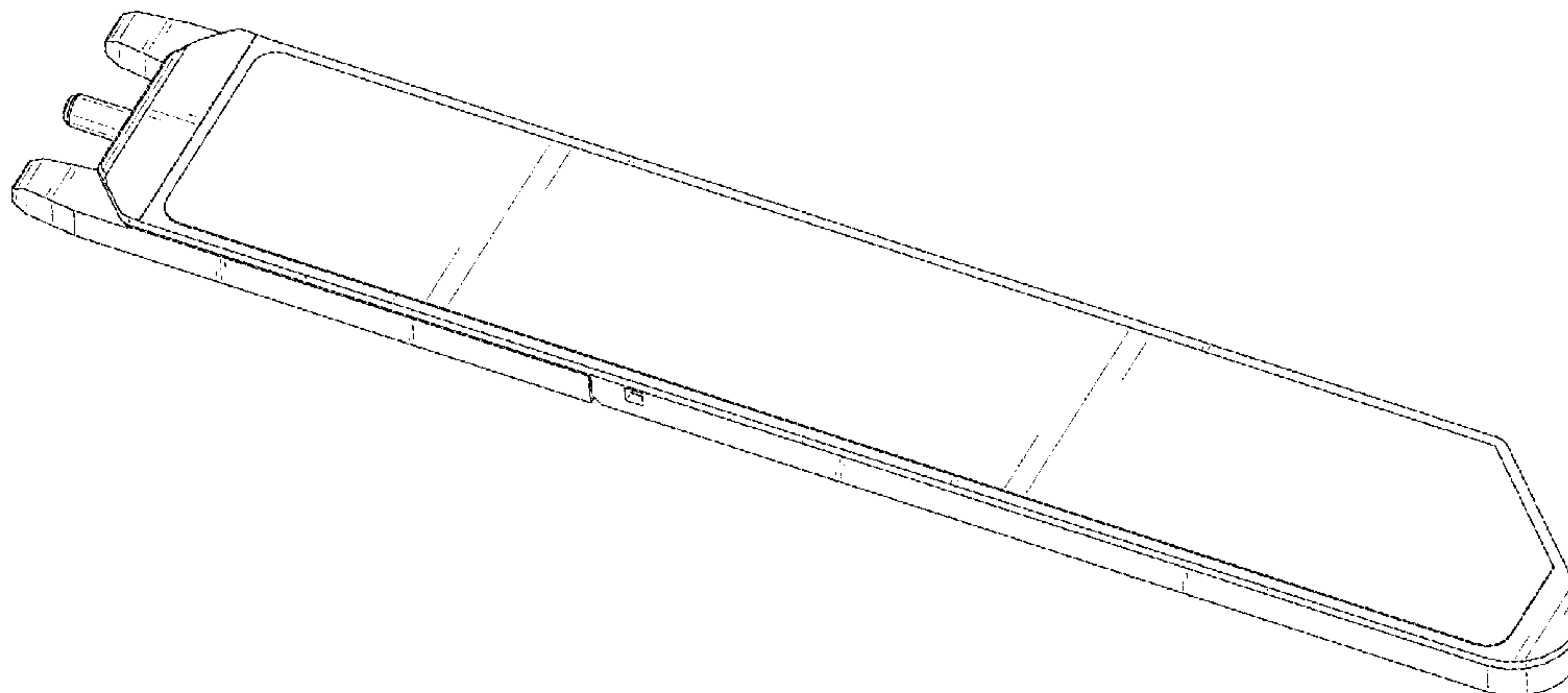
FIG. 5 is a back view thereof.

FIG. 6 is a right view thereof; and,

FIG. 7 is a left view thereof.

The portion of the cuvette shown in broken lines form no part of the claimed design.

1 Claim, 5 Drawing Sheets



(56)

References Cited

U.S. PATENT DOCUMENTS

5,580,794	A	12/1996	Allen	7,604,938	B2	10/2009	Takahashi
5,591,403	A	1/1997	Gavin	7,604,965	B2	10/2009	McBride
5,599,503	A	2/1997	Manz	7,776,267	B2	8/2010	Lee
5,633,168	A	5/1997	Glasscock	D626,249	S *	10/2010	Wang et al. D24/223
D379,662	S *	6/1997	Pearson et al. D24/223	7,811,811	B2	10/2010	Niehaus
5,635,358	A	6/1997	Wilding	7,820,109	B2	10/2010	Nakajima
5,637,469	A	6/1997	Wilding	7,824,879	B2	11/2010	Khan
5,645,798	A	7/1997	Schreiber	7,829,023	B2	11/2010	Burke
5,652,149	A	7/1997	Mileaf	7,833,711	B2	11/2010	Woudenberg
5,660,993	A	8/1997	Cathey	7,871,781	B2	1/2011	Rundstrom
5,698,406	A	12/1997	Cathey	D634,023	S *	3/2011	Wei D24/223
5,707,799	A	1/1998	Hansmann	7,897,398	B2	3/2011	Saiki
D391,373	S *	2/1998	Shartle D24/224	7,910,381	B2	3/2011	Ford
5,716,852	A	2/1998	Yager	7,964,370	B2	6/2011	Wu
5,726,026	A	3/1998	Wilding	7,981,689	B2	7/2011	Matsumoto
5,731,212	A	3/1998	Gavin	8,008,091	B2	8/2011	Higashino
5,736,404	A	4/1998	Yassinzadeh	8,012,744	B2	9/2011	Gibbons
5,798,215	A	8/1998	Cathey	8,062,883	B2	11/2011	Woudenberg
5,844,686	A	12/1998	Treptow	8,067,226	B2	11/2011	Woudenberg
5,866,345	A	2/1999	Wilding	8,163,492	B2	4/2012	Unger
5,874,219	A	2/1999	Rava	8,163,538	B2	4/2012	Woudenberg
5,921,678	A	7/1999	Desai	8,168,139	B2	5/2012	Manger
D412,990	S *	8/1999	Woolston et al. D24/223	8,168,442	B2	5/2012	Petersen
5,948,231	A	9/1999	Fuchs et al.	8,169,600	B2	5/2012	Knutson
5,948,673	A	9/1999	Cottingham	8,247,219	B2	8/2012	Woudenberg
5,948,684	A	9/1999	Weigl	D678,545	S *	3/2013	Caillouette D24/223
5,952,173	A	9/1999	Hansmann	8,394,336	B2	3/2013	Curcio
5,972,710	A	10/1999	Weigl	8,409,877	B2	4/2013	Liu
D426,313	S *	6/2000	Woolston et al. D24/223	8,436,993	B2	5/2013	Kaduchak
6,084,660	A	7/2000	Shartle	8,557,198	B2	10/2013	Saltsman
6,086,824	A	7/2000	Fanning	8,697,009	B2	4/2014	Saltsman
6,104,485	A	8/2000	Wang	8,747,779	B2	6/2014	Sprague
6,124,138	A	9/2000	Woudenberg	2001/0039059	A1	11/2001	Freitag
6,153,148	A	11/2000	Thomas	2001/0046453	A1	11/2001	Weigl
6,171,870	B1	1/2001	Freitag	2002/0019059	A1	2/2002	Chow
6,176,119	B1	1/2001	Kintzig	2002/0031821	A1	3/2002	Parce
6,197,256	B1	3/2001	Siepmann	2002/0039751	A1	4/2002	Parce
6,214,629	B1	4/2001	Freitag	2002/0076350	A1	6/2002	Weigl
6,249,345	B1	6/2001	Kraack	2002/0076697	A1	6/2002	Nikiforov
6,267,858	B1	7/2001	Parce et al.	2002/0090665	A1	7/2002	Parce
6,410,341	B1	6/2002	Freitag	2002/0102742	A1	8/2002	Parce
6,472,141	B2	10/2002	Nikiforov	2002/0146845	A1	10/2002	Parce
6,488,892	B1	12/2002	Burton	2002/0168688	A1	11/2002	Parce
6,632,619	B1	10/2003	Harrison	2002/0172980	A1	11/2002	Phan
6,632,656	B1	10/2003	Thomas	2002/0187074	A1	12/2002	O'Connor
6,652,811	B1	11/2003	Pooch	2003/0021727	A1 *	1/2003	Weyker et al. 422/58
D483,496	S *	12/2003	Kjendlie D24/223	2003/0022380	A1	1/2003	Jakubowicz
6,673,628	B2	1/2004	Freitag et al.	2003/0054425	A1	3/2003	Parce
6,709,869	B2	3/2004	Mian	2003/0077634	A1	4/2003	Parce
6,750,053	B1	6/2004	Widrig Opalsky	2003/0082568	A1	5/2003	Phan
D493,893	S *	8/2004	Wang D24/223	2003/0124623	A1	7/2003	Yager
6,787,106	B2	9/2004	Keeping	2003/0134431	A1	7/2003	Parce
6,818,185	B1	11/2004	Petersen	2003/0209653	A1	11/2003	Feldsine
6,818,455	B2	11/2004	May	2004/0081581	A1	4/2004	Mount
6,836,332	B2	12/2004	Mosley	2005/0106713	A1	5/2005	Phan
6,844,934	B2	1/2005	Retzlaff	2005/0130294	A1	6/2005	Randall
6,852,284	B1	2/2005	Holl et al.	2005/0214161	A1	9/2005	Gupta
6,900,021	B1	5/2005	Harrison	2005/0214737	A1	9/2005	Dejneka
7,001,716	B2	2/2006	Chan	2005/0252773	A1	11/2005	Mcbride
7,008,799	B1	3/2006	Zimmer	2006/0073599	A1	4/2006	Weigl
7,015,043	B2	3/2006	Roos	2006/0205086	A1	9/2006	Hu
7,026,131	B2	4/2006	Hurt	2006/0216195	A1	9/2006	Blankenstein
7,060,225	B2	6/2006	Niehaus	2006/0246513	A1	11/2006	Bohannon
7,087,203	B2	8/2006	Gordon	2007/0102362	A1	5/2007	Iida
D537,531	S *	2/2007	Sigel et al. D24/223	2007/0224084	A1	9/2007	Holmes
7,220,597	B2	5/2007	Zin	2007/0281288	A1	12/2007	Belkin
7,256,053	B2	8/2007	Hu	2008/0031778	A1	2/2008	Kramer
7,258,837	B2	8/2007	Yager	2008/0206849	A1	8/2008	Zak
7,276,330	B2	10/2007	Chow et al.	2008/0241962	A1	10/2008	Wang
7,283,245	B2	10/2007	Xiao	2008/0243309	A2	10/2008	Hong
7,381,571	B2	6/2008	Woudenberg	2008/0248590	A1	10/2008	Gulliksen
D575,877	S *	8/2008	Laverack D24/225	2008/0253933	A1	10/2008	Redfern
7,419,638	B2	9/2008	Saltsman	2008/0262321	A1	10/2008	Erad
7,459,713	B2	12/2008	Coates	2008/0265146	A1	10/2008	Coates
7,491,366	B2	2/2009	Tokhtuev	2008/0280285	A1	11/2008	Chen
				2008/0318323	A1	12/2008	Shintani
				2009/0042737	A1	2/2009	Katz
				2009/0093012	A1	4/2009	Bae
				2009/0098022	A1	4/2009	Tokhtuev

(56)

References Cited

U.S. PATENT DOCUMENTS

2009/0155923	A1	6/2009	Bonecker
2009/0311796	A1	12/2009	Griss
2010/0028207	A1	2/2010	Colella
2010/0062414	A1	3/2010	Yamamoto
2010/0136698	A1	6/2010	Dadic
2010/0136699	A1	6/2010	Drese
2010/0178708	A1	7/2010	Usui
2011/0026009	A1	2/2011	Knutson et al.
2011/0053289	A1	3/2011	Lowe et al.
2011/0097788	A1	4/2011	Farrow
2011/0136258	A1	6/2011	Sambursky
2011/0212538	A1*	9/2011	Lundgreen et al. 436/164
2011/0287976	A1	11/2011	Wang
2011/0318840	A1	12/2011	Ziglioli
2012/0040470	A1	2/2012	Dorn
2012/0322086	A1	12/2012	Garnier
2012/0322683	A1	12/2012	Liu
2013/0017126	A1	1/2013	Colella
2013/0089858	A1	4/2013	Wong, Jr.
2013/0149775	A1	6/2013	Williams
2013/0164773	A1	6/2013	Bardell
2013/0164779	A1	6/2013	Kelley

FOREIGN PATENT DOCUMENTS

AU	2004317007	A1	4/2006
AU	2005268639	A1	2/2007
AU	2007231030	B2	10/2008
AU	2008269485	B2	1/2010
CA	1330197	C	6/1994
CA	2261740	A1	2/1998
CA	2320296	A1	11/1999
CA	2339599	A1	2/2000
CA	2170402	C	7/2000
CA	2357761	A1	8/2000
CA	2018323	C	1/2001
CA	2468674	A1	6/2003
CA	2482645	A1	11/2003
CA	2258489	C	1/2004
CA	2501124	A1	5/2004
CA	2537796	A1	9/2005
CA	2599569	A1	9/2006
CA	2603209	A1	10/2006
CA	2645622	A1	10/2007
CA	2684095	A1	11/2008
CA	2691568	A1	12/2008
CA	2691572	A1	12/2008
CA	2780751	A1	6/2011
EP	1450159	A2	8/2004
EP	1301791	B1	6/2007
EP	1870713	A1	12/2007
EP	1873533	A1	1/2008
EP	2008716	A1	12/2008
EP	2009423	A1	12/2008
EP	1012599	B1	1/2009

EP	2047909	A2	4/2009
EP	1792184	B1	7/2009
EP	2089159	A2	8/2009
EP	2133149	A1	12/2009
EP	2133150	A1	12/2009
EP	2178641	A1	4/2010
EP	2196806	A1	6/2010
EP	2126587	B1	9/2010
EP	1871903	B1	12/2011
EP	1868725	B1	1/2012
EP	2441520	A1	4/2012
EP	2040072	B1	1/2013
GB	2446309	A	8/2008
WO	WO9212428	A1	7/1992
WO	WO9322053	A1	11/1993
WO	WO9322421	A1	11/1993
WO	WO9731268	A1	8/1997
WO	WO9739338	A1	10/1997
WO	WO9852691	A1	11/1998
WO	WO9952633	A1	10/1999
WO	WO0017401	A2	3/2000
WO	WO0022434	A1	4/2000
WO	WO0136073	A1	5/2001
WO	WO0168238	A2	9/2001
WO	WO03048736	A2	6/2003
WO	WO03085379	A2	10/2003
WO	WO03091714	A1	11/2003
WO	WO2005084534	A1	9/2005
WO	WO2005095262	A1	10/2005
WO	WO2005102528	A1	11/2005
WO	WO2005102528A1	A1	11/2005
WO	WO2005111629	A1	11/2005
WO	WO2006013329	A1	2/2006
WO	WO2006056787	A1	6/2006
WO	WO2006105110	A2	10/2006
WO	WO2007035350	A2	3/2007
WO	WO2007110779	A2	10/2007
WO	WO2007111651	A2	10/2007
WO	WO2008135564	A2	11/2008
WO	WO2009001096	A1	12/2008
WO	WO2009001101	A2	12/2008
WO	WO2009021215	A1	2/2009
WO	WO2009037361	A1	3/2009
WO	WO2010009267	A1	1/2010
WO	WO2010017299	A2	2/2010
WO	WO20100017299	A2	2/2010
WO	WO2010036808	A1	4/2010
WO	WO2010112833	A1	10/2010
WO	WO2010115531	A1	10/2010
WO	WO2011035385	A1	3/2011
WO	WO2011069029	A2	6/2011
WO	WO2011069031	A2	6/2011
WO	WO2011100708	A2	8/2011
WO	WO2012032294	A1	3/2012
WO	WO2012049066	A2	4/2012
WO	WO2013040435	A2	3/2013
WO	WO2013090394	A1	6/2013
WO	WO2013096804	A2	6/2013

* cited by examiner

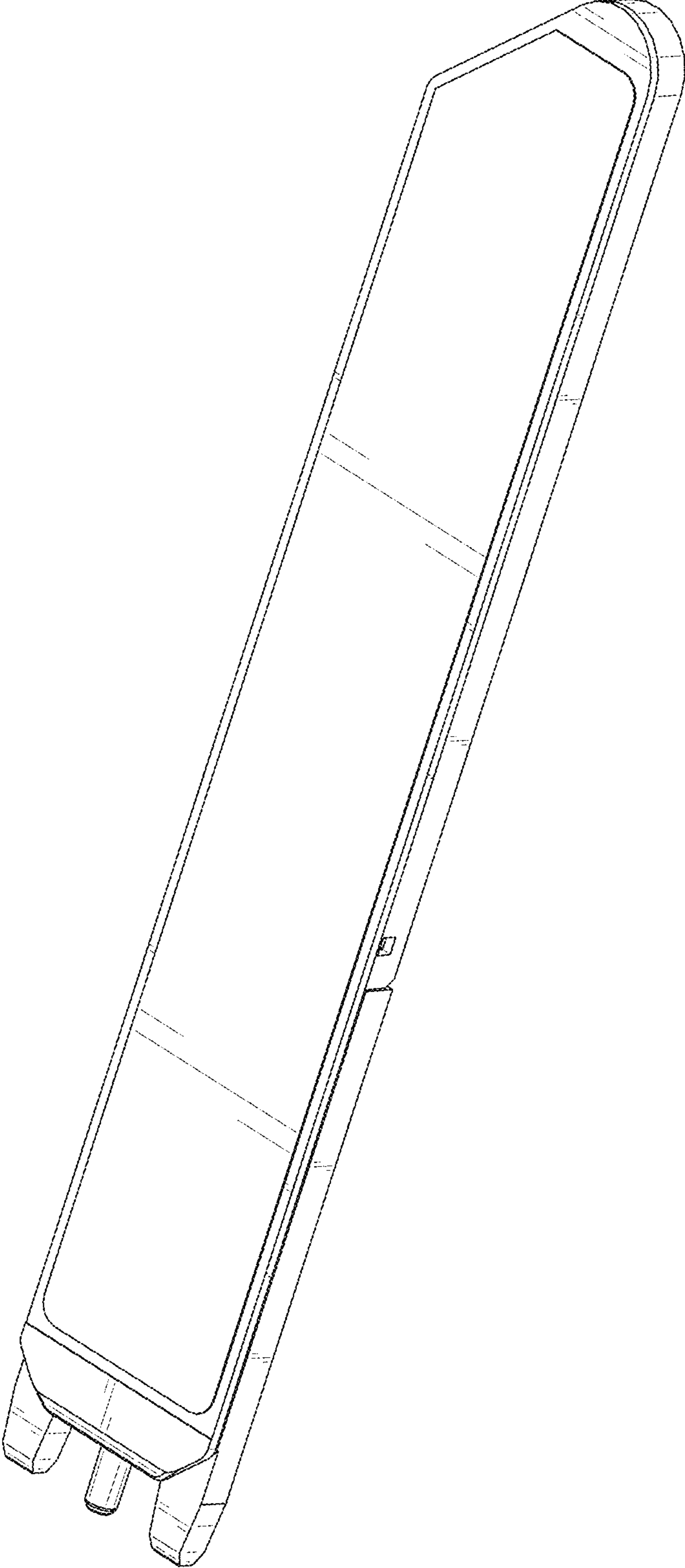


FIG. 1

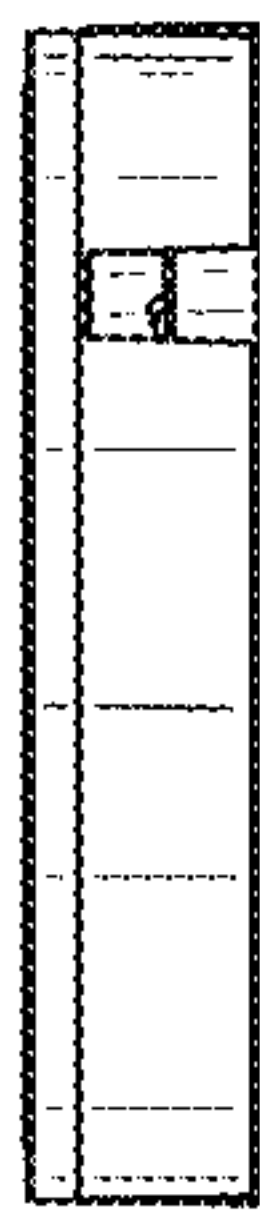


FIG. 2



FIG. 3

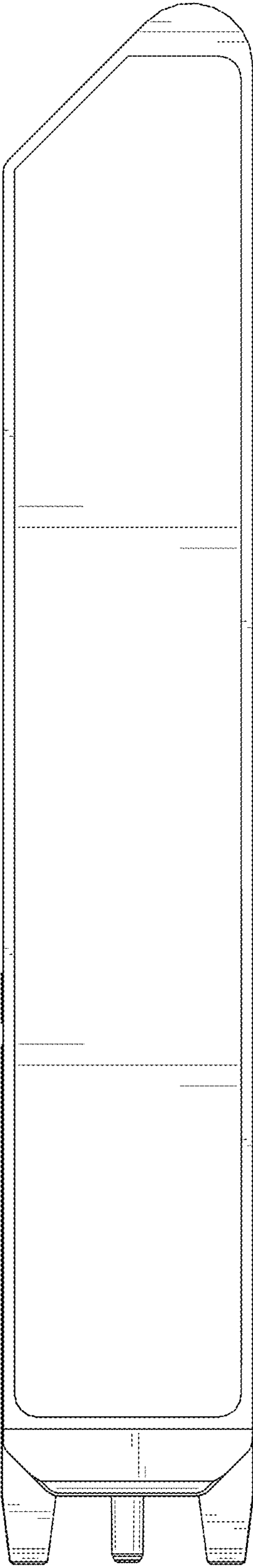


FIG. 4

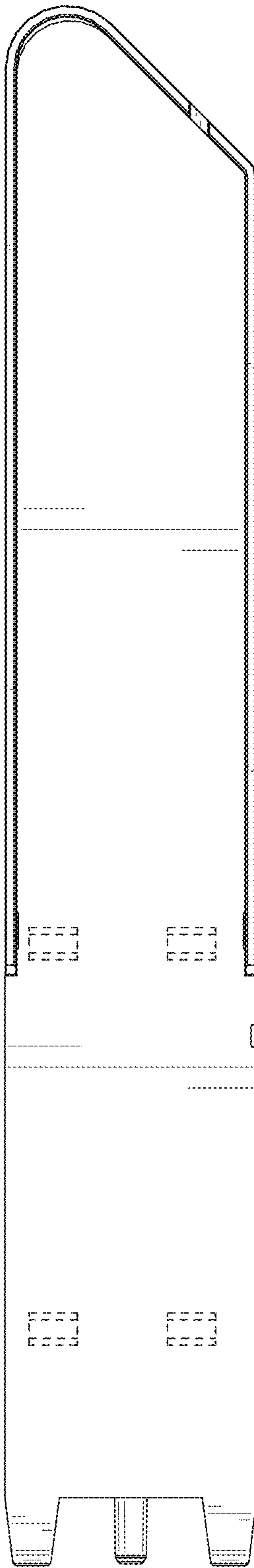


FIG. 5



FIG. 6

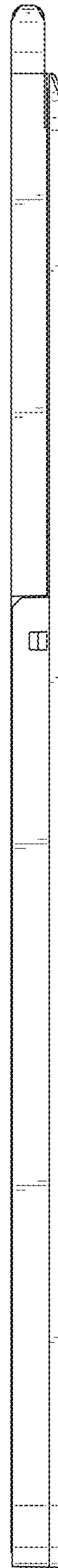


FIG. 7