



US00D768871S

(12) **United States Design Patent**
Onishi et al.

(10) **Patent No.:** **US D768,871 S**
(45) **Date of Patent:** **** Oct. 11, 2016**

(54) **BOTTLE**

(71) Applicant: **Beckman Coulter, Inc.**, Brea, CA (US)

(72) Inventors: **Hiroyuki Onishi**, Shizuoka (JP);
Masato Kayahara, Shizuoka (JP);
Hiroshi Suzuki, Shizuoka (JP);
Ryusuke Furuya, Shizuoka (JP); **Naoki Mukaiyama**, Shizuoka (JP); **Michael Cooney**, County Clare (IE); **Marcus O'Neill**, County Clare (IE); **Sean O'Mahony**, County Clare (IE)

(73) Assignees: **Beckman Coulter, Inc.**, Brea, CA (US); **DHR Technologies Ireland Limited (DTIL)**, Dublin (IE)

(**) Term: **15 Years**

(21) Appl. No.: **29/547,316**

(22) Filed: **Dec. 2, 2015**

Related U.S. Application Data

(62) Division of application No. 29/491,994, filed on May 27, 2014, now Pat. No. Des. 747,813.

(51) **LOC (10) Cl.** **24-02**

(52) **U.S. Cl.**
USPC **D24/224**

(58) **Field of Classification Search**
USPC D24/216, 222-226, 231, 232, 121, 117;
D9/520-521, 523, 543, 563, 575, 530,
D9/517; 604/403; 422/400, 547, 556, 559,
422/430, 502, 550, 63; 435/288.1, 288.2,
435/288.4, 304.1, 304.2; 215/370-371,
215/375, DIG. 3

CPC ... A61J 1/10; G01N 31/22; G01N 35/00029;
B01L 2300/0816; B01L 3/50825; B01L
3/5082; B01L 3/08; B01L 3/502; B01L
3/5085; C12M 23/08; C12M 1/28; B65D
1/0223; B65D 51/002

See application file for complete search history.

(56) **References Cited**

U.S. PATENT DOCUMENTS

D258,720	S	*	3/1981	Evans	D9/520
D282,244	S	*	1/1986	Santoiemmo	D9/543
D287,638	S	*	1/1987	Moore	D24/224
D290,400	S	*	6/1987	Tong	D24/224
D291,730	S	*	9/1987	Kelln	D24/224

(Continued)

Primary Examiner — T. Chase Nelson

Assistant Examiner — Mark Cavanna

(74) *Attorney, Agent, or Firm* — K&L Gates LLP; Louis C. Cullman; Brian J. Novak

(57) **CLAIM**

The ornamental design for a bottle, as shown and described.

DESCRIPTION

FIG. 1 is a perspective view of a bottle illustrating my new design.

FIG. 2 is a rear perspective view of the bottle in FIG. 1.

FIG. 3 is a bottom rear perspective view of the bottle in FIG. 1.

FIG. 4 is a first side view of the bottle in FIG. 1.

FIG. 5 is a second side view of the bottle in FIG. 1.

FIG. 6 is a rear view of the bottle in FIG. 1.

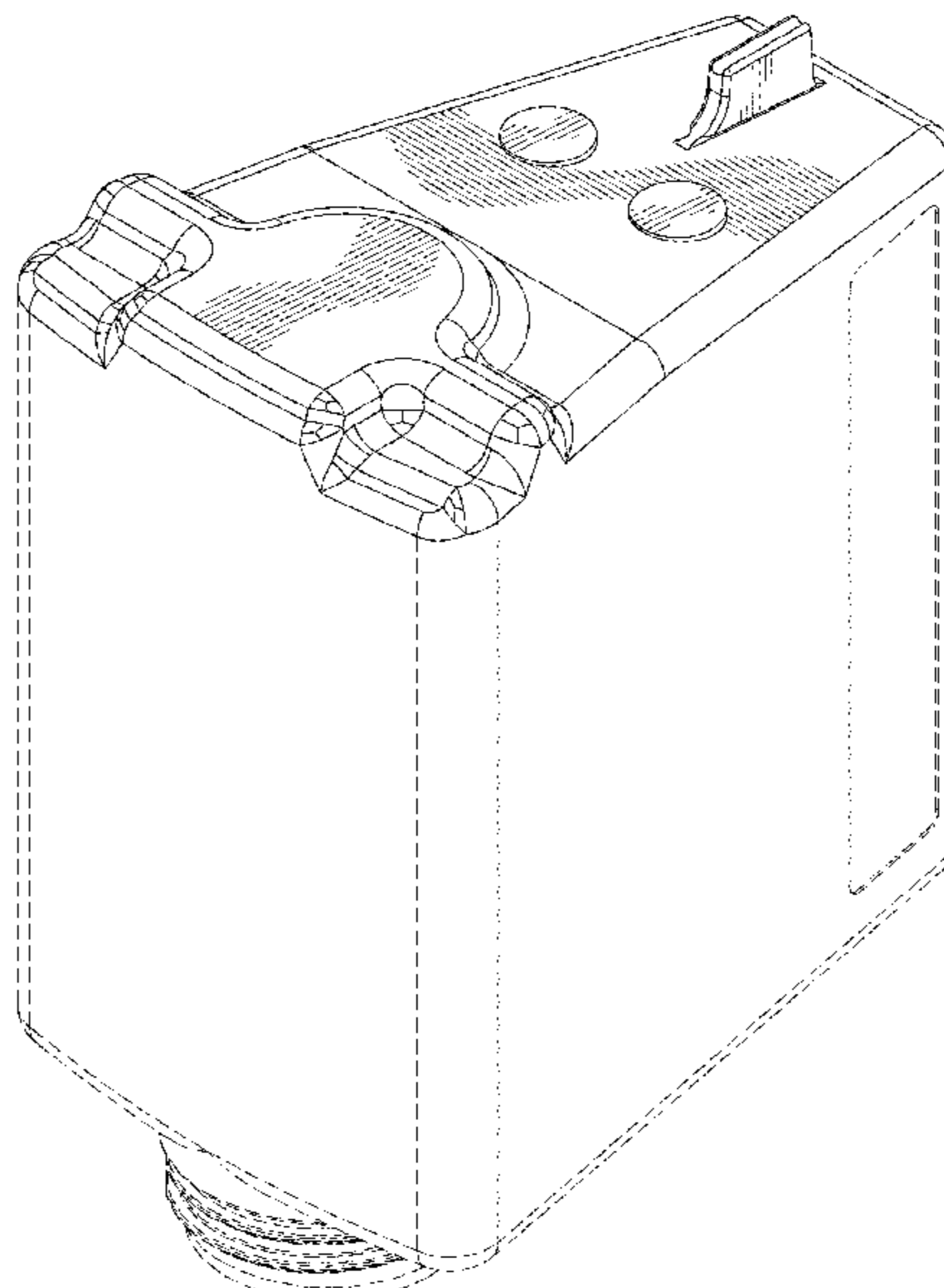
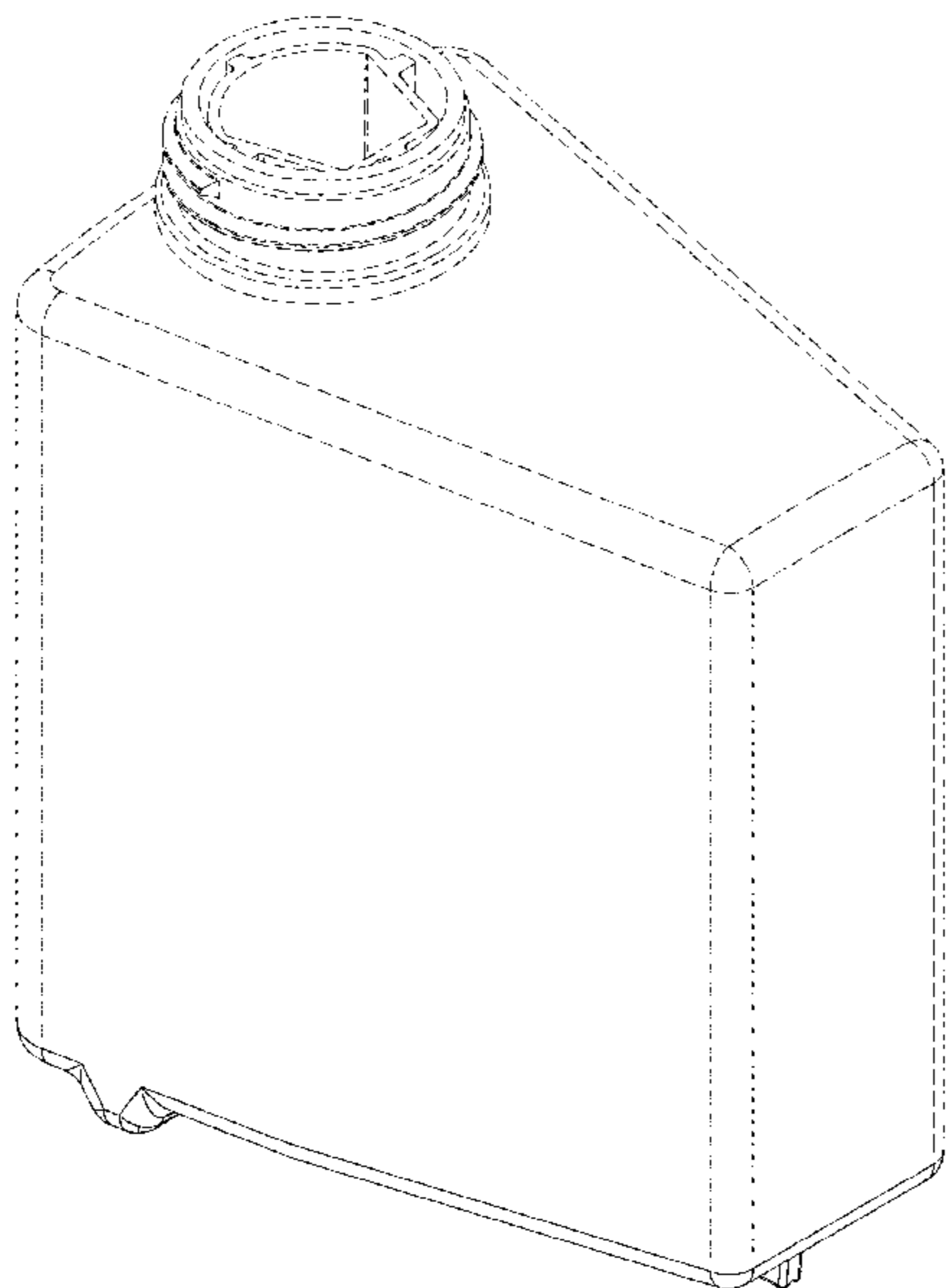
FIG. 7 is a front view of the bottle in FIG. 1.

FIG. 8 is a top view of the bottle in FIG. 1; and,

FIG. 9 is a bottom view of the bottle in FIG. 1.

Broken lines are included for the purpose of illustrating environmental structure and form no part of the currently claimed design.

1 Claim, 8 Drawing Sheets



(56)

References Cited

U.S. PATENT DOCUMENTS

D296,668 S *	7/1988	Stavish	D9/530	D433,149 S *	10/2000	Fassbind	D24/223
D309,015 S *	7/1990	Fechtner	D24/224	D502,268 S *	2/2005	Sakai	D24/223
D322,315 S *	12/1991	Ushikubo	D24/117	D544,797 S *	6/2007	Wilson, II	D9/520
5,152,965 A *	10/1992	Fisk	B01L 3/502	D566,290 S *	4/2008	Parmer	D24/224
			422/544	D577,443 S *	9/2008	Parmer	D24/224
D342,140 S *	12/1993	Sakagami	D24/224	D590,721 S *	4/2009	Martinez De San	
D353,464 S *	12/1994	Ushikubo	D24/224			Vicente	D9/520
D355,260 S *	2/1995	Tomasso	D9/517	D614,036 S *	4/2010	Gedanke	D9/520
D358,219 S *	5/1995	Ushikubo	D24/224	D632,402 S *	2/2011	Sattler	D24/224
D380,553 S *	7/1997	Riekkinen	D24/224	D642,260 S *	7/2011	Hendricks	D24/121
D404,831 S *	1/1999	Yamazaki	D24/224	D752,983 S *	4/2016	Juna	D9/520
D406,351 S *	3/1999	Yamazaki	D24/224	2005/0142040 A1 *	6/2005	Hanawa	B01L 3/08
D407,826 S *	4/1999	Yamazaki	D24/224				422/400
				2008/0103475 A1 *	5/2008	Hendricks	A61J 1/05
							604/403

* cited by examiner

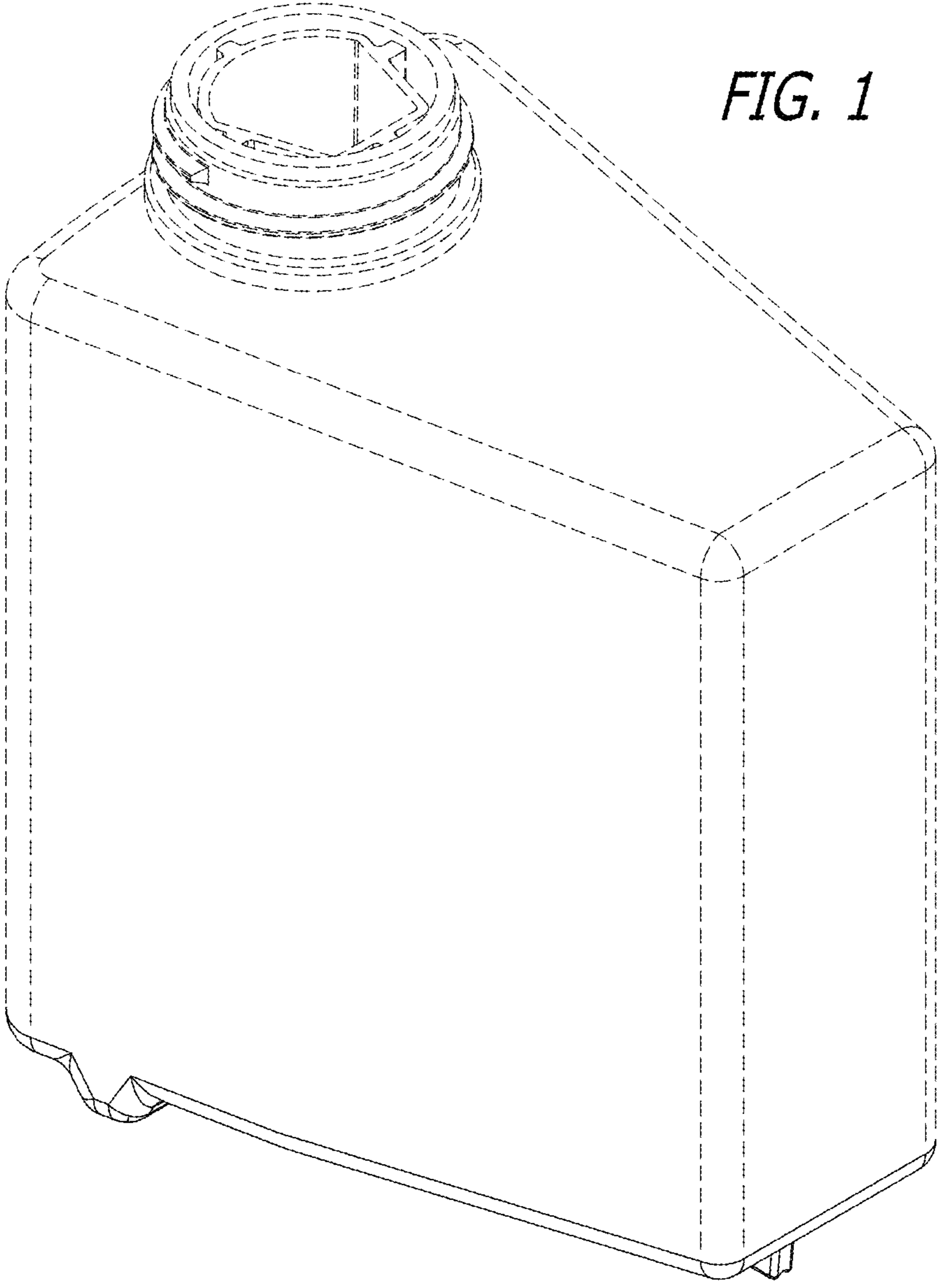


FIG. 1

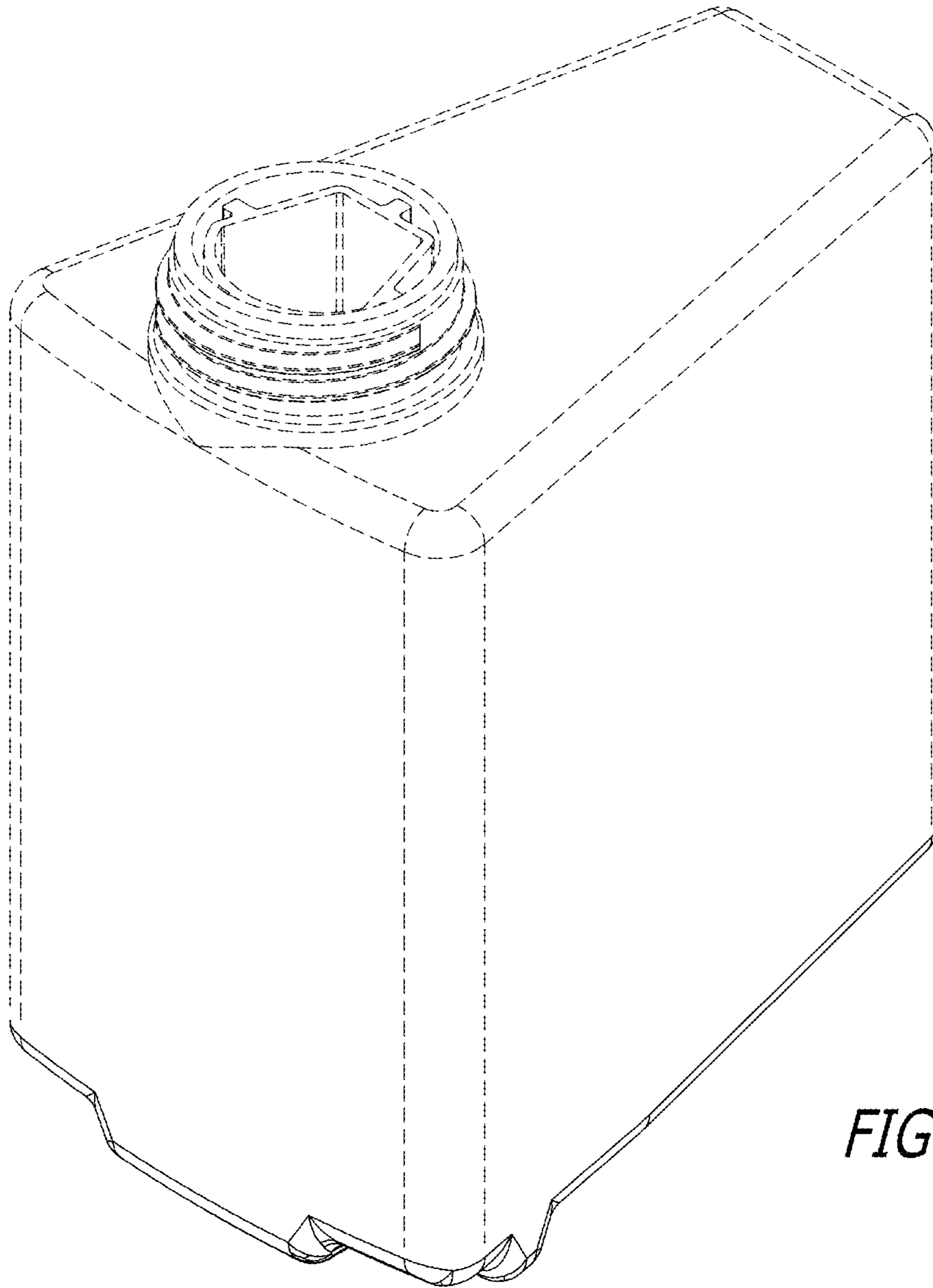


FIG. 2

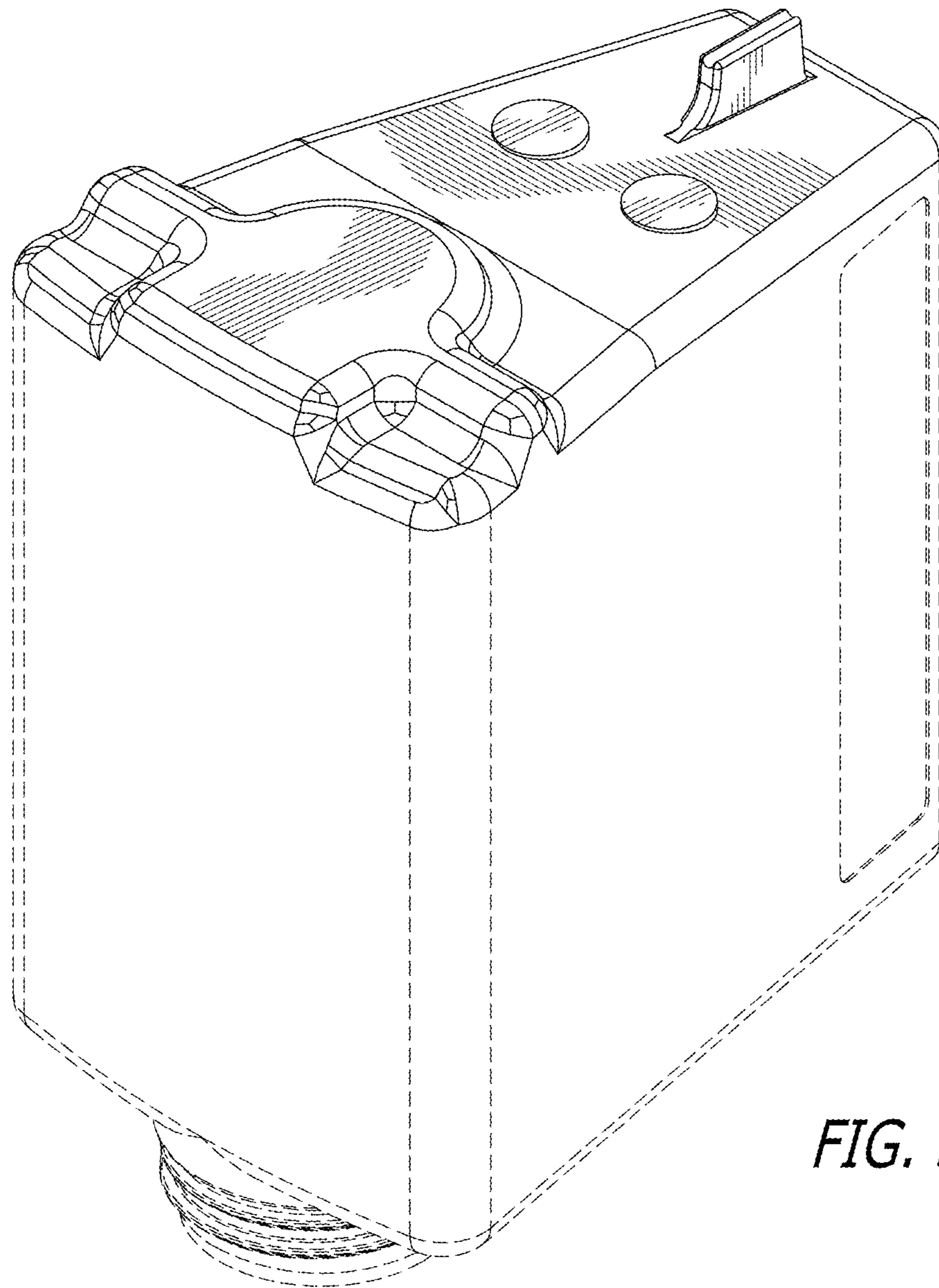


FIG. 3

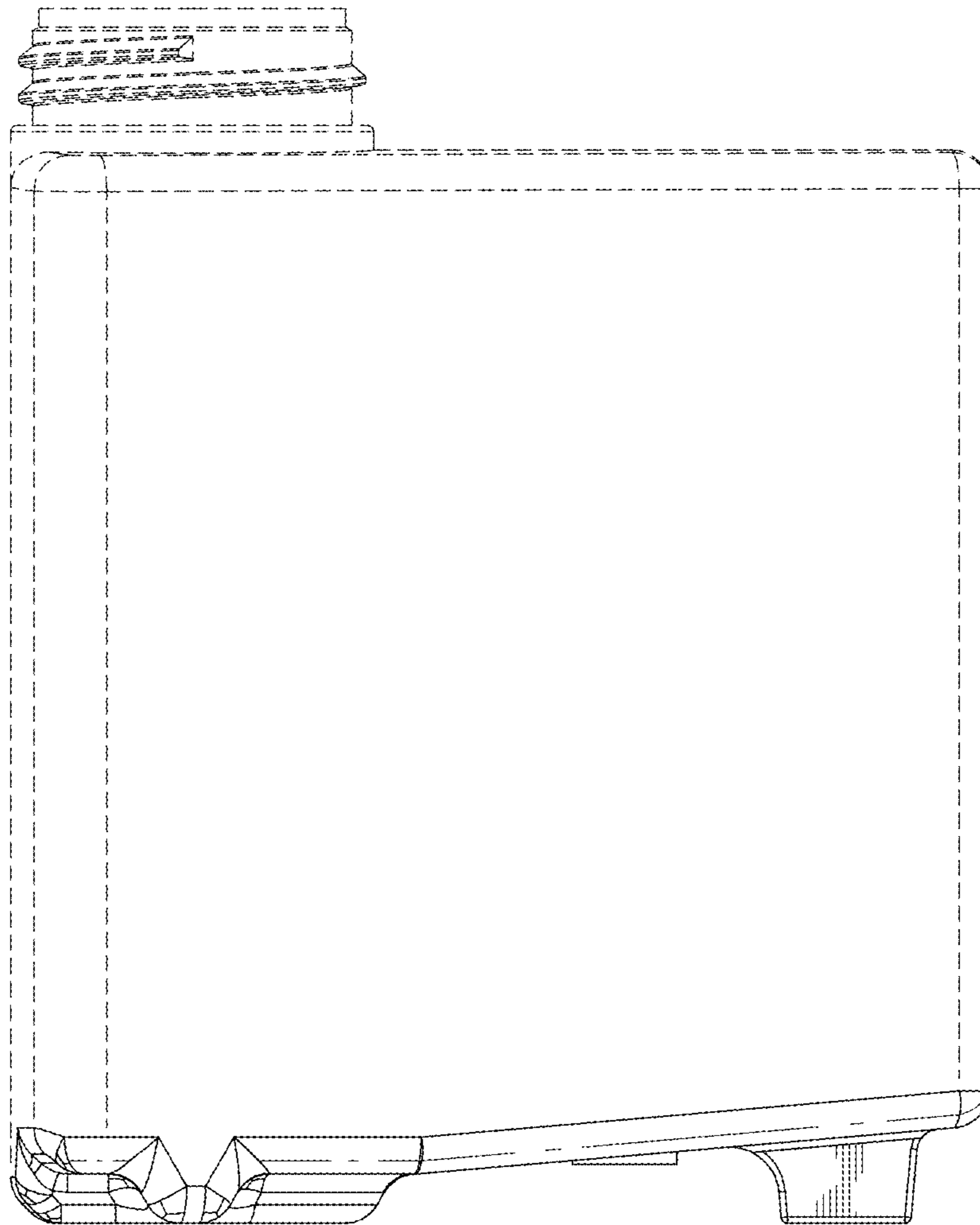


FIG. 4

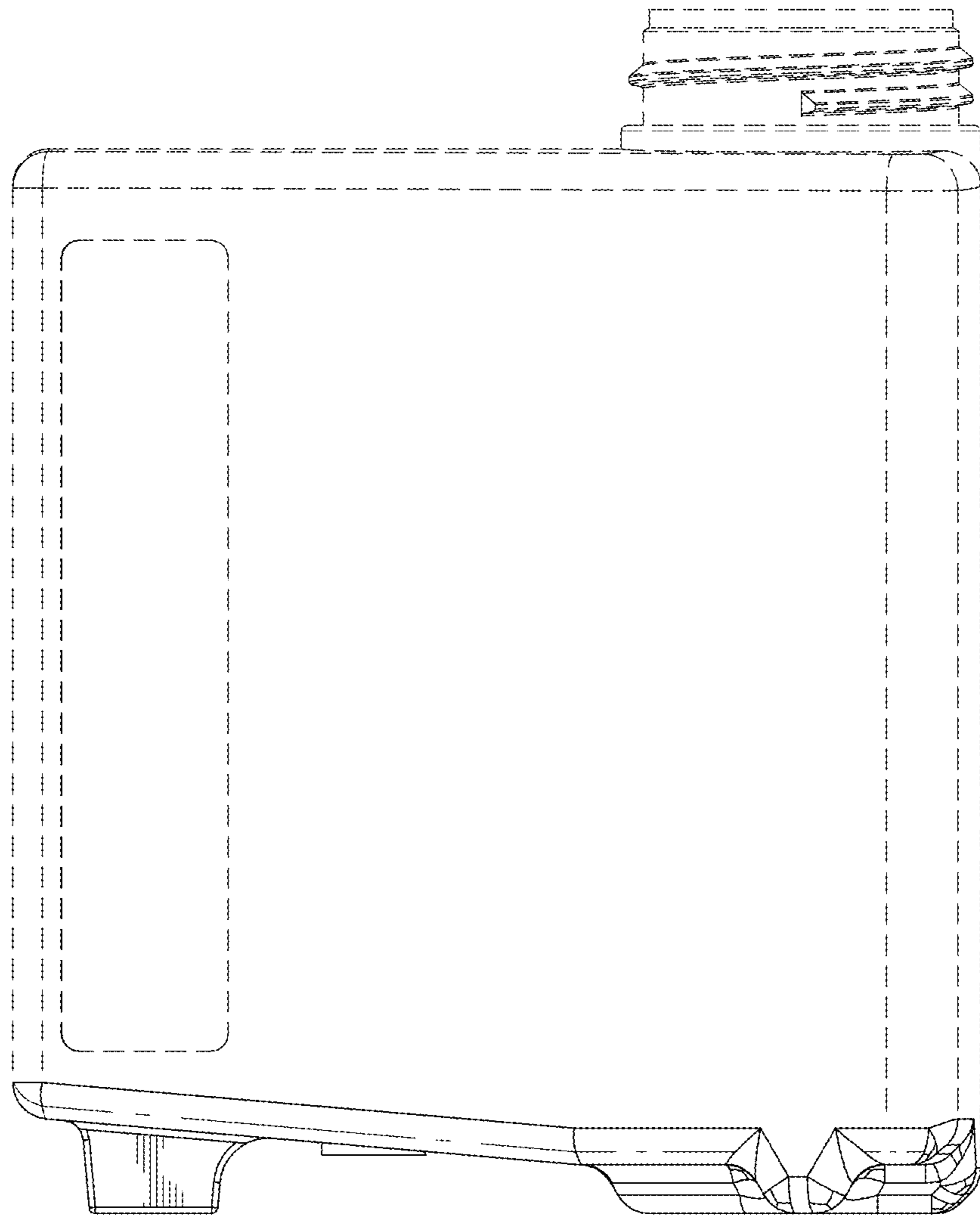


FIG. 5

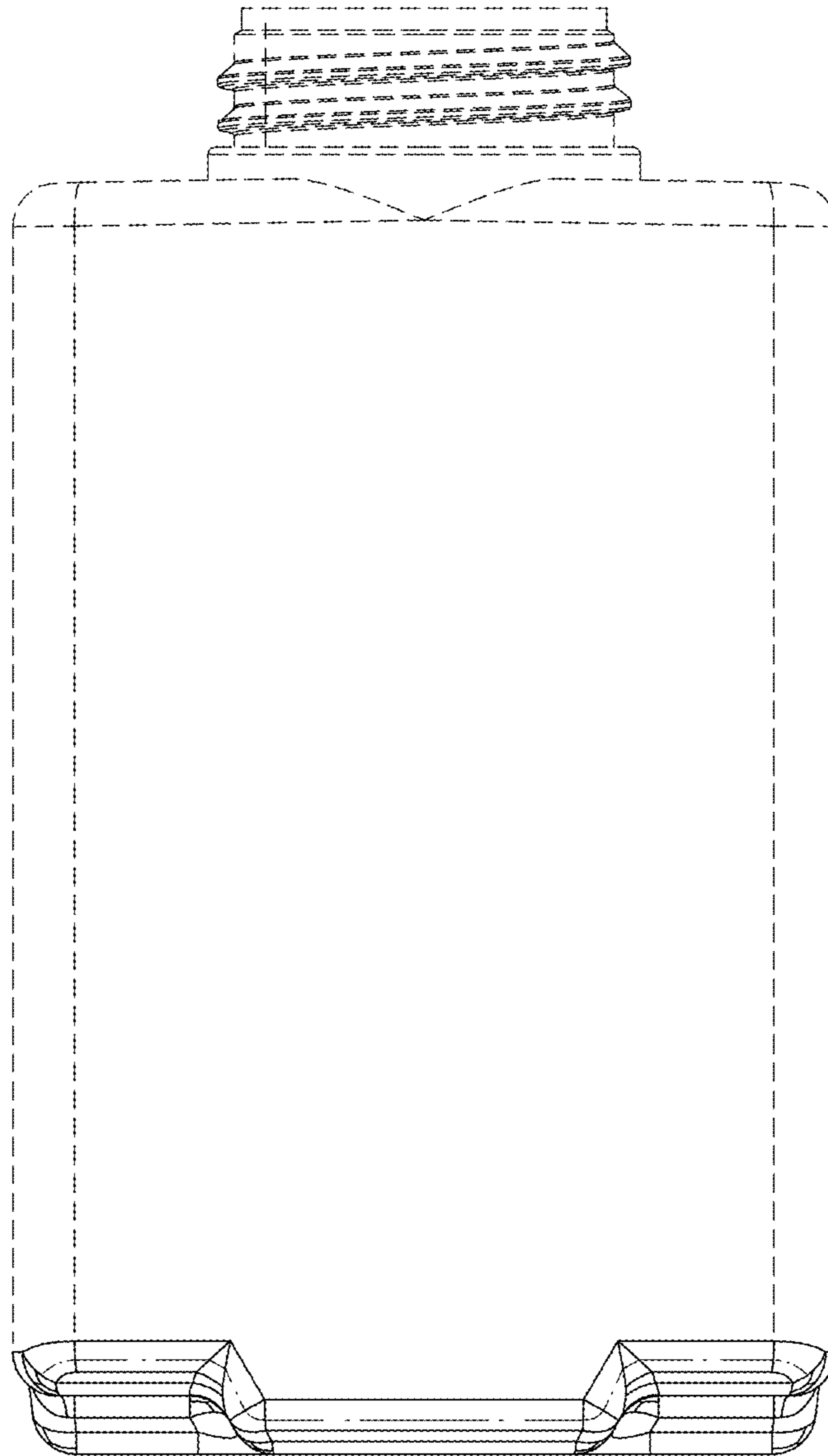


FIG. 6

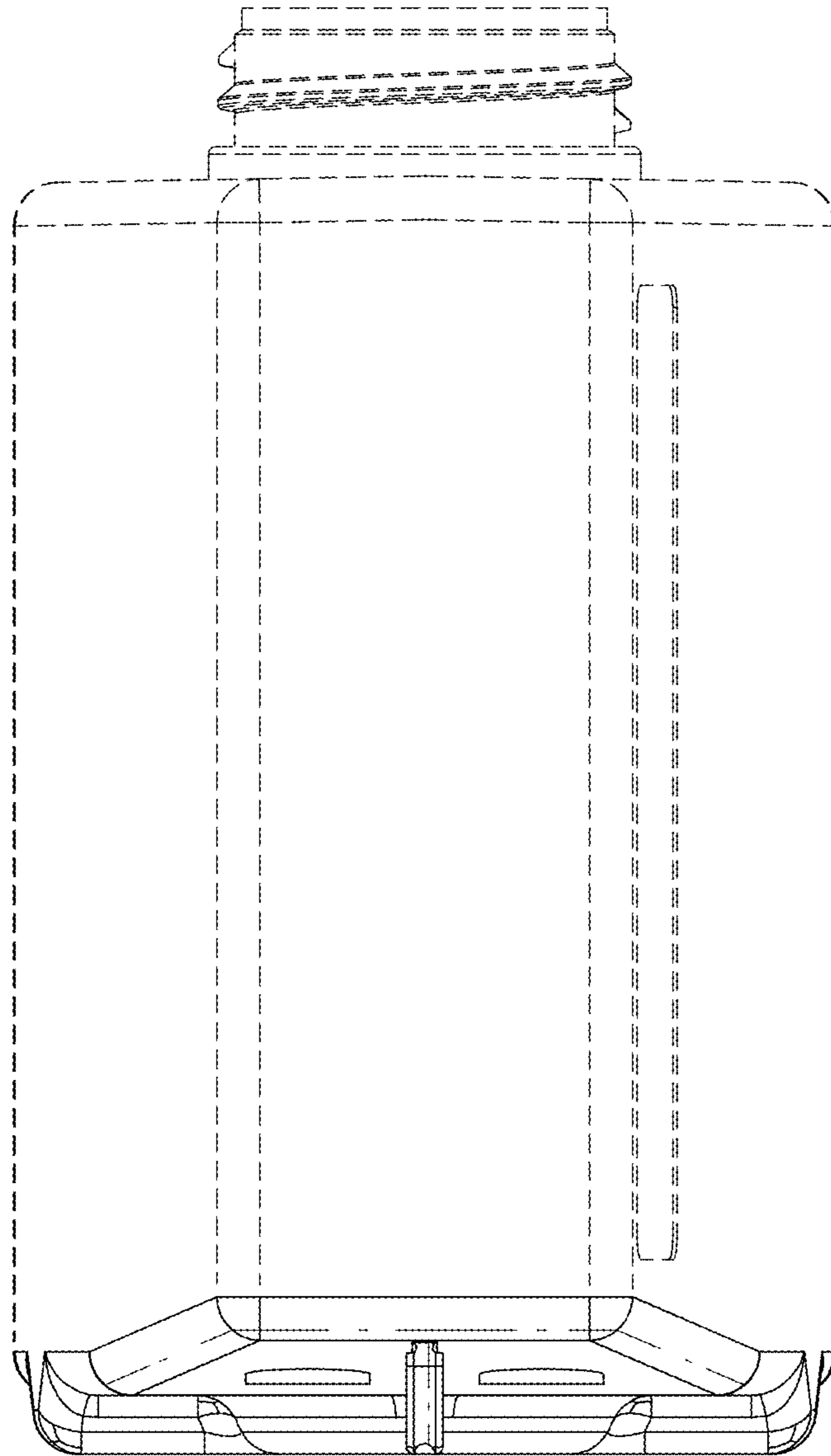


FIG. 7

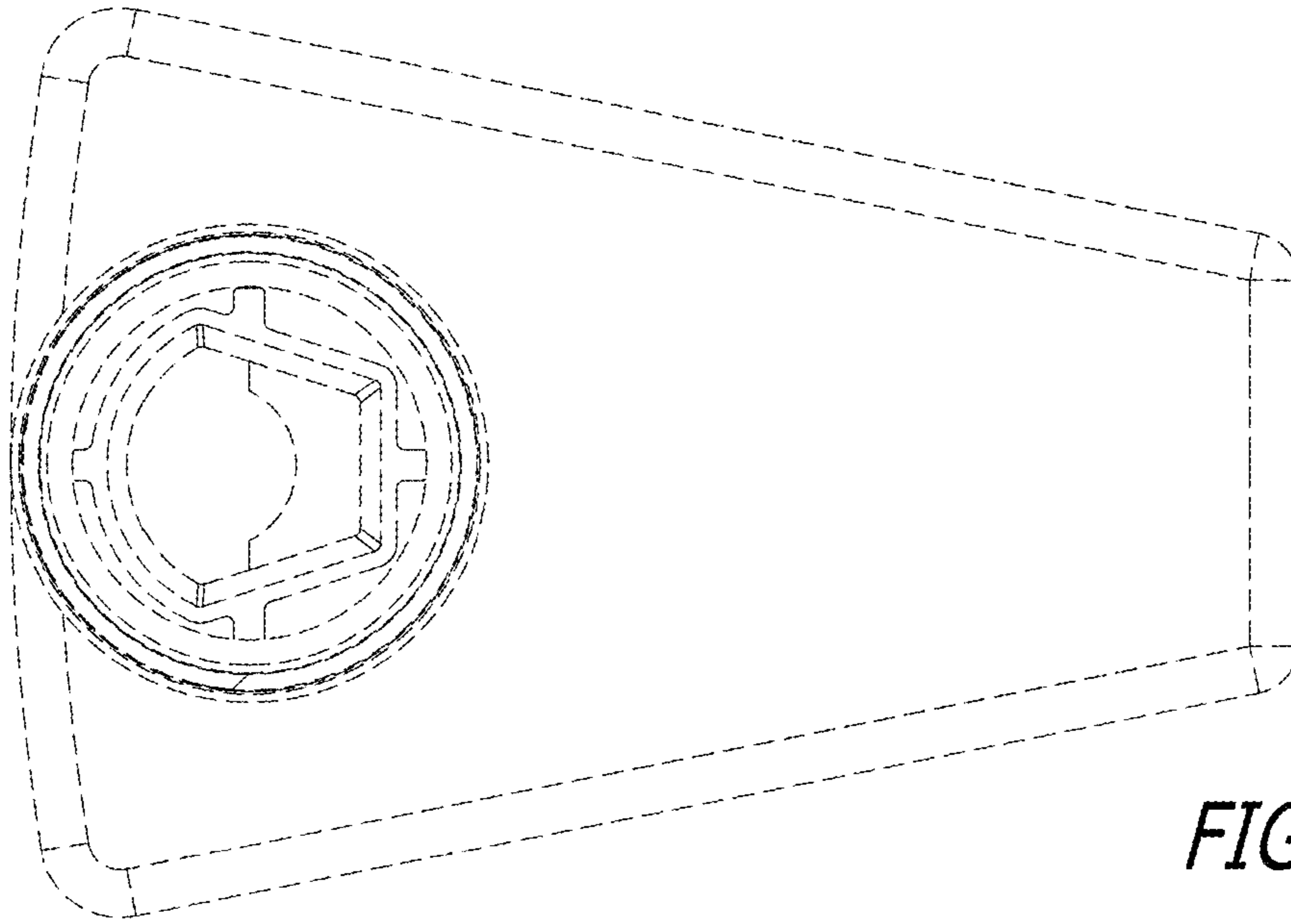


FIG. 8

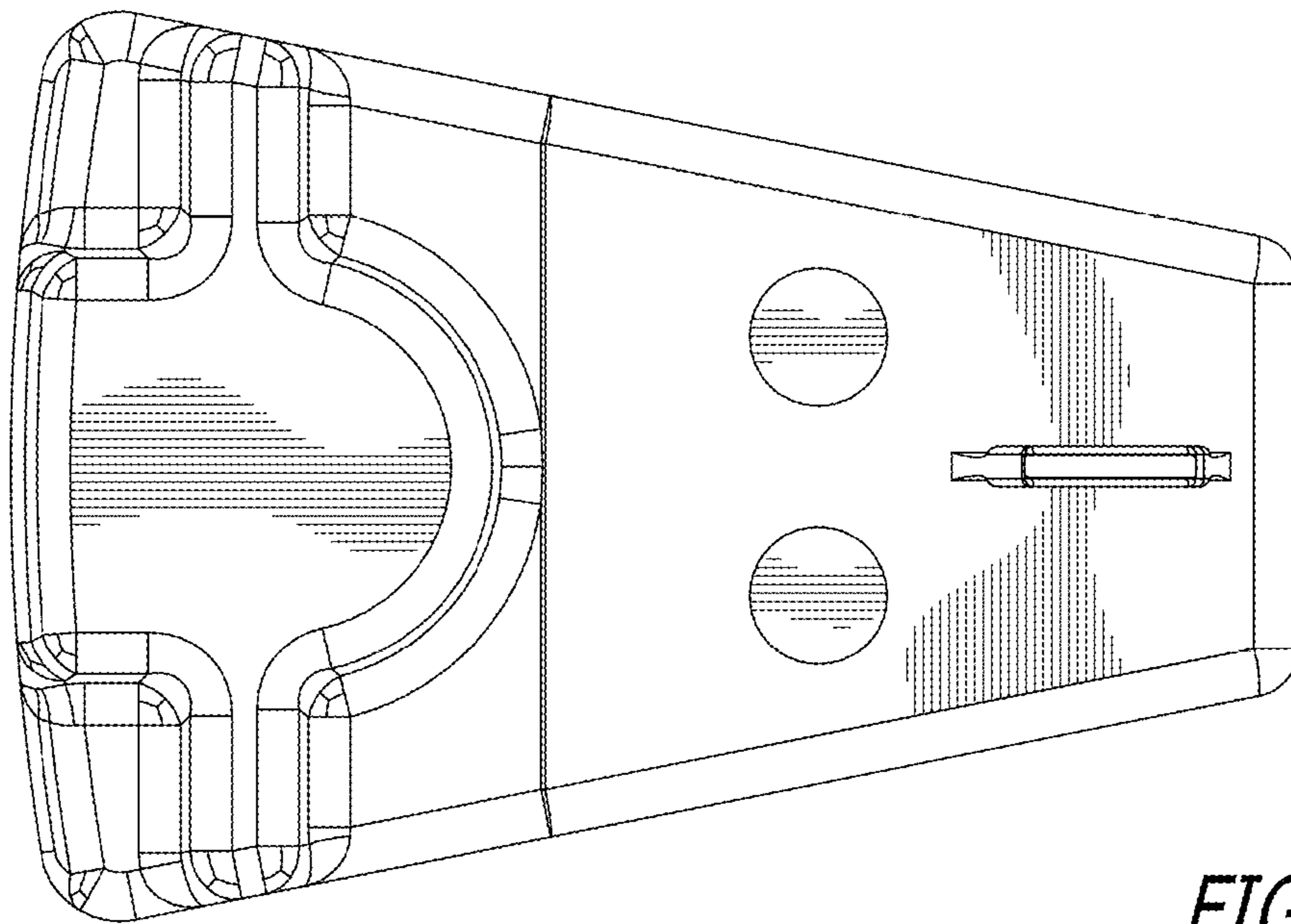


FIG. 9