



US00D768868S

(12) **United States Design Patent**  
**Inoue**

(10) **Patent No.:** **US D768,868 S**  
(45) **Date of Patent:** **\*\* Oct. 11, 2016**

(54) **OOCYTE CRYOPRESERVATION TOOL**

(71) Applicant: **Kitazato BioPharma Co., Ltd.**,  
Fuji-shi (JP)

(72) Inventor: **Futoshi Inoue**, Fujinomiya (JP)

(73) Assignee: **Kitazato Biopharma Co., Ltd.**,  
Fuji-shi, Shizuoka (JP)

(\*\*) Term: **14 Years**

(21) Appl. No.: **29/509,467**

(22) Filed: **Nov. 18, 2014**

(30) **Foreign Application Priority Data**

May 19, 2014 (JP) ..... 2014-010595

(51) **LOC (10) Cl.** ..... **24-01**

(52) **U.S. Cl.**  
USPC ..... **D24/216**

(58) **Field of Classification Search**  
USPC ..... D24/216, 224, 227, 231, 232, 107;  
D9/445, 443, 454; D7/605, 608  
CPC ..... A01N 1/0273; A01N 1/0247; A01N  
1/0268; A01N 1/02  
See application file for complete search history.

(56) **References Cited**

**U.S. PATENT DOCUMENTS**

D310,264 S \* 8/1990 Leoncavallo ..... D24/224  
5,190,880 A \* 3/1993 Cassou ..... A01N 1/02  
422/408  
7,316,896 B2 \* 1/2008 Kuwayama ..... A01N 1/02  
422/550  
D583,066 S \* 12/2008 Afifyan ..... D24/216  
D583,962 S \* 12/2008 Ahmady ..... D24/216  
8,372,633 B2 \* 2/2013 Clairaz ..... A01N 1/02  
435/307.1

D727,527 S \* 4/2015 Tao ..... D24/222  
D753,290 S \* 4/2016 Shimon ..... D24/112  
2004/0259072 A1 \* 12/2004 Kuwayama ..... A01N 1/02  
435/1.3  
2009/0035744 A1 \* 2/2009 Drummond ..... A01N 1/0268  
435/2  
2011/0120148 A1 \* 5/2011 Yoshimura ..... A01N 1/0257  
62/51.1  
2011/0239791 A1 \* 10/2011 Fici ..... A01N 1/0268  
73/863.11  
2011/0275153 A1 \* 11/2011 Butler ..... A01N 1/0268  
435/374

\* cited by examiner

*Primary Examiner* — Anhdao Doan

(74) *Attorney, Agent, or Firm* — Buchanan, Ingersoll &  
Rooney PC

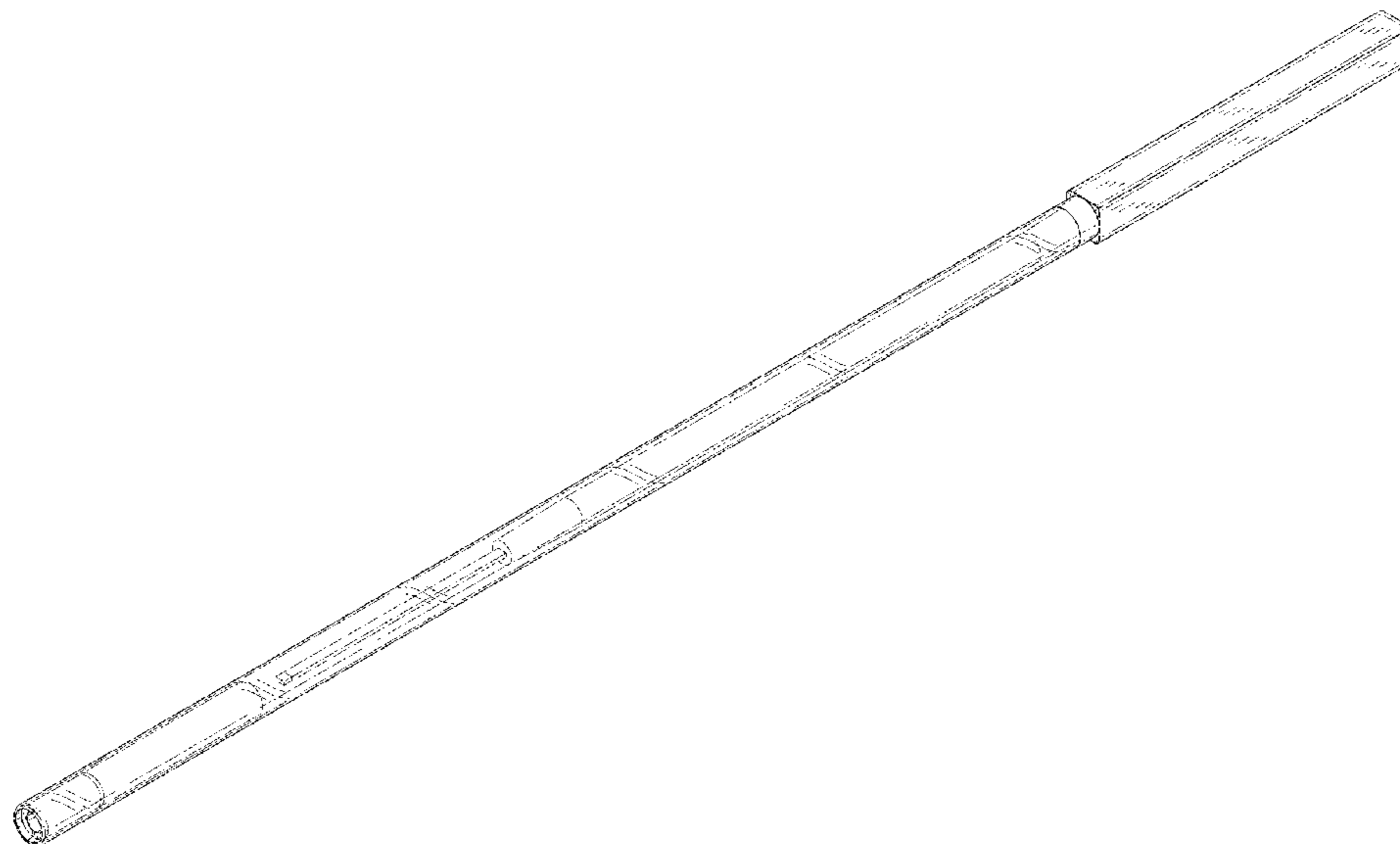
(57) **CLAIM**

The ornamental design for an oocyte cryopreservation tool,  
as shown and described.

**DESCRIPTION**

FIG. 1 is a front elevational view of an oocyte cryopreser-  
vation tool showing my new design.  
FIG. 2 is a rear elevational view thereof.  
FIG. 3 is a right side elevational view thereof.  
FIG. 4 is a left side elevational view thereof.  
FIG. 5 is a top plan view thereof.  
FIG. 6 is a bottom plan view thereof.  
FIG. 7 is a cross-sectional view taken along line 7-7 shown  
in FIG. 1.  
FIG. 8 is an enlarged right side elevational view thereof.  
FIG. 9 is an enlarged left side elevational view thereof.  
FIG. 10 is a partial enlarged front elevational view thereof  
taken from line 10-10 shown in FIG. 1.  
FIG. 11 is an exploded view thereof; and,  
FIG. 12 is a perspective view thereof.

**1 Claim, 4 Drawing Sheets**



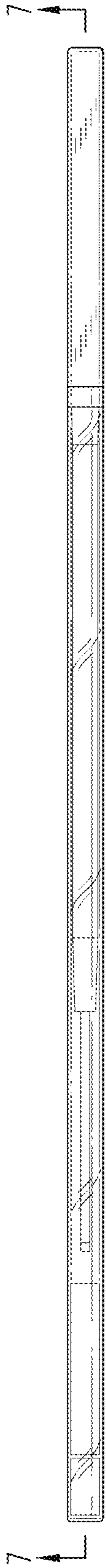


FIG. 1

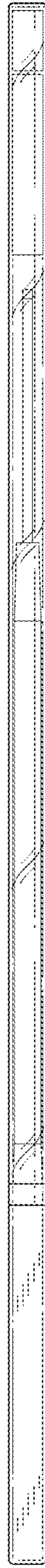


FIG. 2



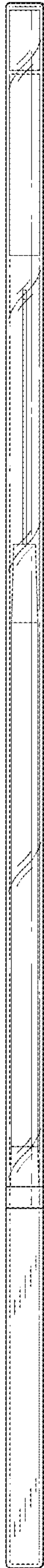
FIG. 3



FIG. 4



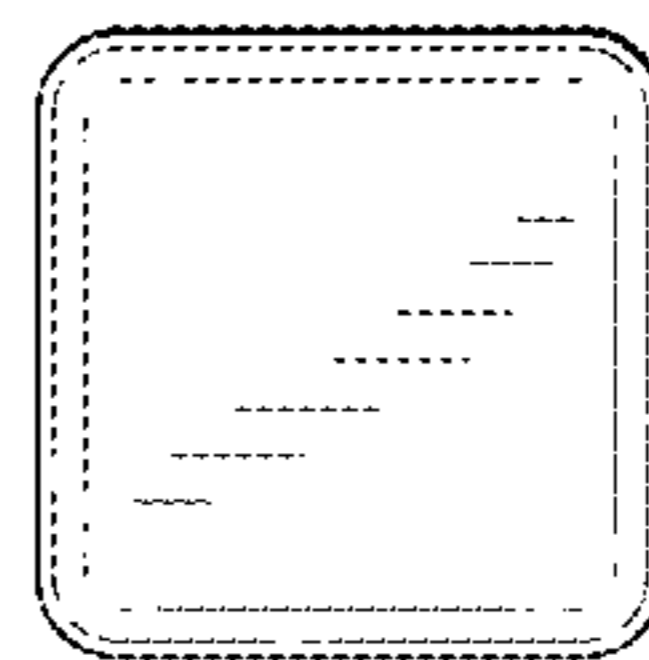
FIG. 5



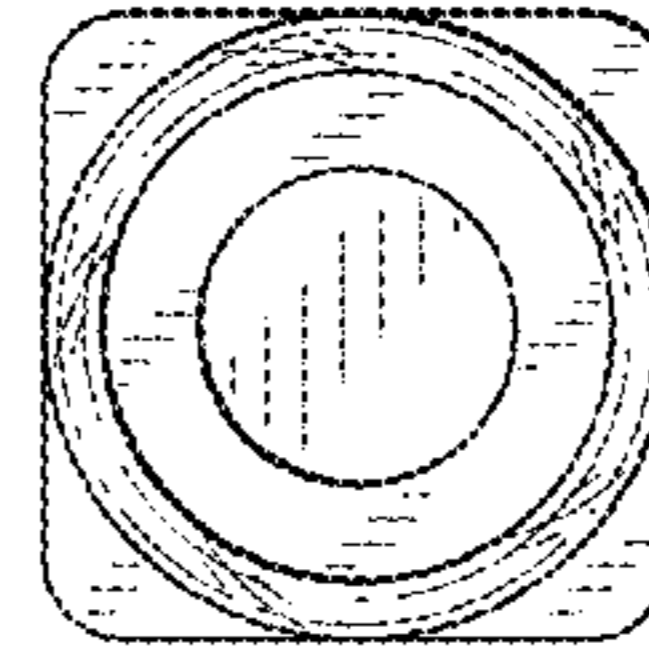
**FIG. 6**



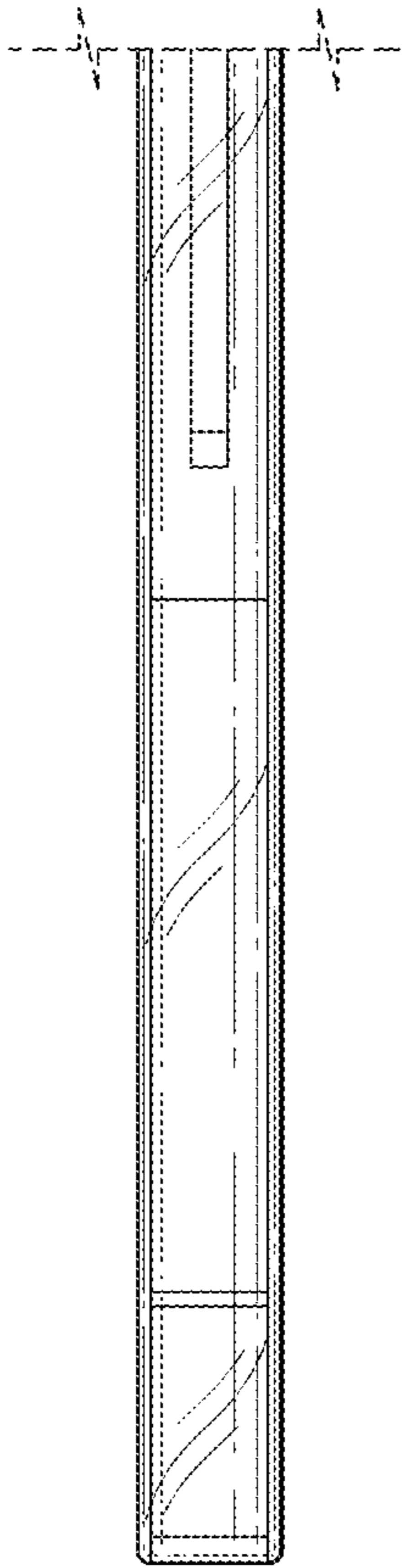
**FIG. 7**



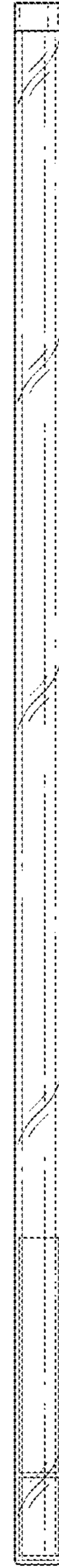
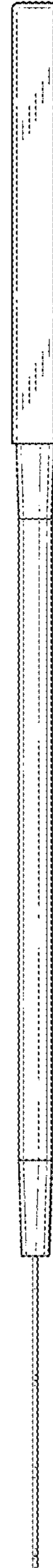
**FIG. 8**



**FIG. 9**



**FIG. 10**



**FIG. 11**

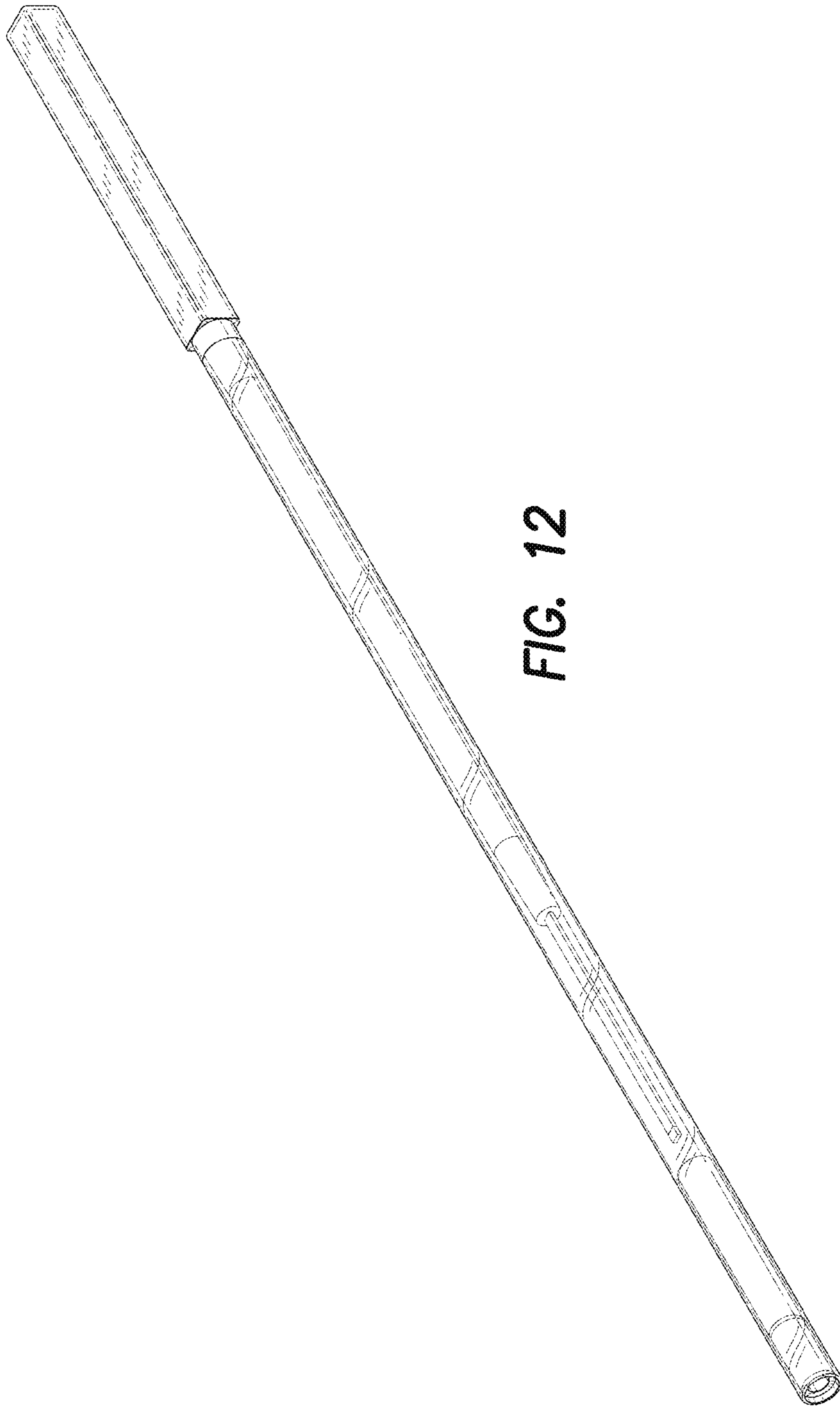


FIG. 12