

US00D768865S

(12) **United States Design Patent** (10) **Patent No.:** **US D768,865 S**
Dean et al. (45) **Date of Patent:** **** Oct. 11, 2016**

(54) **BABY BOTTLE WITH INTEGRAL THERMOMETER**

(71) Applicants: **De Von Dean**, Middletown, NY (US);
Pamela Platero, Middletown, NY (US)

(72) Inventors: **De Von Dean**, Middletown, NY (US);
Pamela Platero, Middletown, NY (US)

(**) Term: **15 Years**

(21) Appl. No.: **29/529,531**

(22) Filed: **Jun. 8, 2015**

(51) **LOC (10) Cl.** **07-01**

(52) **U.S. Cl.**
USPC **D24/197**

(58) **Field of Classification Search**

USPC D24/127, 128, 193, 194, 196, 197, 198,
D24/199, 207; D9/444, 447, 516, 530, 719,
D9/761; D7/392, 510; 220/227, 235, 694,
220/703, 714, 722, 727, 735, 745;
215/11.1, 11.2, 11.3, 11.4, 11.5, 11.6,
215/41; 606/236

CPC A61J 9/00
See application file for complete search history.

(56) **References Cited**

U.S. PATENT DOCUMENTS

2,357,477	A	9/1944	Killman	
5,208,896	A *	5/1993	Katayev	A47J 36/2433
				219/432
D394,113	S *	5/1998	Walsh	D24/197
D401,343	S *	11/1998	Al-Shraideh	D24/197
D428,496	S *	7/2000	Thom	D24/197
6,173,850	B1 *	1/2001	Scheetz, Jr.	A61J 9/00
				215/11.1
D440,316	S *	4/2001	Tollman	D24/197
6,264,049	B1	7/2001	Shteynberg	
D497,431	S *	10/2004	Bentley	D24/197
8,752,719	B2	6/2014	Geijzendorffer et al.	
D716,461	S *	10/2014	Lau	D24/197
2007/0014100	A1 *	1/2007	Perez	A61J 9/00
				362/101

2012/0160797	A1 *	6/2012	Fave-Lesage	A61J 11/004
				215/11.4
2014/0251944	A1 *	9/2014	Spinetti	A61J 9/00
				215/365
2015/0122764	A1 *	5/2015	Freeman	A61J 9/008
				215/11.1

OTHER PUBLICATIONS

“Baby Gear: Bottle Feeding”. Found online Jul. 12, 2016 at babyfromabove.blogspot.com. Page dated Dec. 1, 2012. Retrieved from <http://babyfromabove.blogspot.com/2012/12/baby-gear-bottle-feeding.html>.*

“Evenflo Advanced Angled Bottle”. Found online Jul. 12, 2016 at amazon.com. Page dated May 14, 2013. Retrieved from https://www.amazon.com/Evenflo-Advanced-3-Count-Discontinued-Manufacturer/dp/B0097CWGXQ/ref=cm_cr_ar_p_d_product_top?ie=UTF8.*

“B. Box Essential Baby Bottle”. Found online Jul. 7, 2016 at amazon.com. Page dated Jul. 12, 2012. Retrieved from https://www.amazon.com/B-Box-Essential-Baby-Bottle/dp/B0088TN3UO/ref=cm_cr_ar_p_d_product_top?ie=UTF8.*

* cited by examiner

Primary Examiner — Robert M Spear

Assistant Examiner — Kendra L Hamilton

(74) *Attorney, Agent, or Firm* — Crossley & Stevenson
Intellectual Property Law

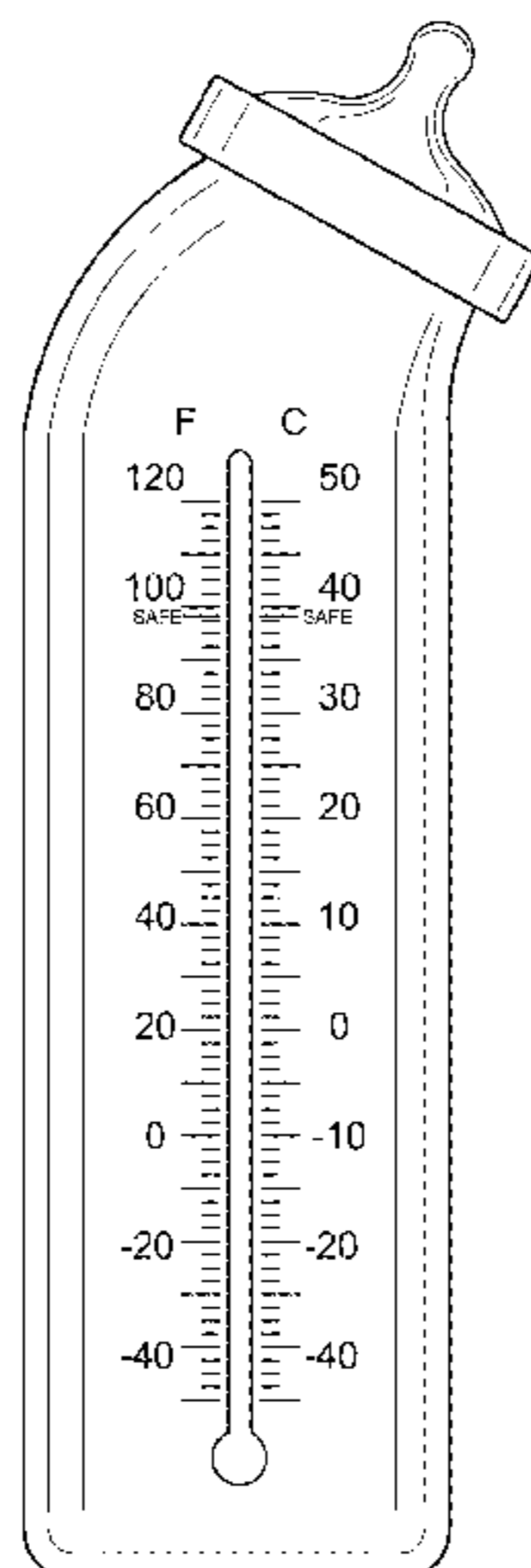
(57) **CLAIM**

The ornamental design for a baby bottle with integral thermometer, as shown and described.

DESCRIPTION

FIG. 1 is a front elevation view of a baby bottle with integral thermometer showing our new design;
FIG. 2 is a rear elevation view thereof;
FIG. 3 is a right side elevation view thereof;
FIG. 4 is a left side elevation view thereof;
FIG. 5 is a top plan view thereof; and,
FIG. 6 is a bottom plan view thereof.

1 Claim, 4 Drawing Sheets



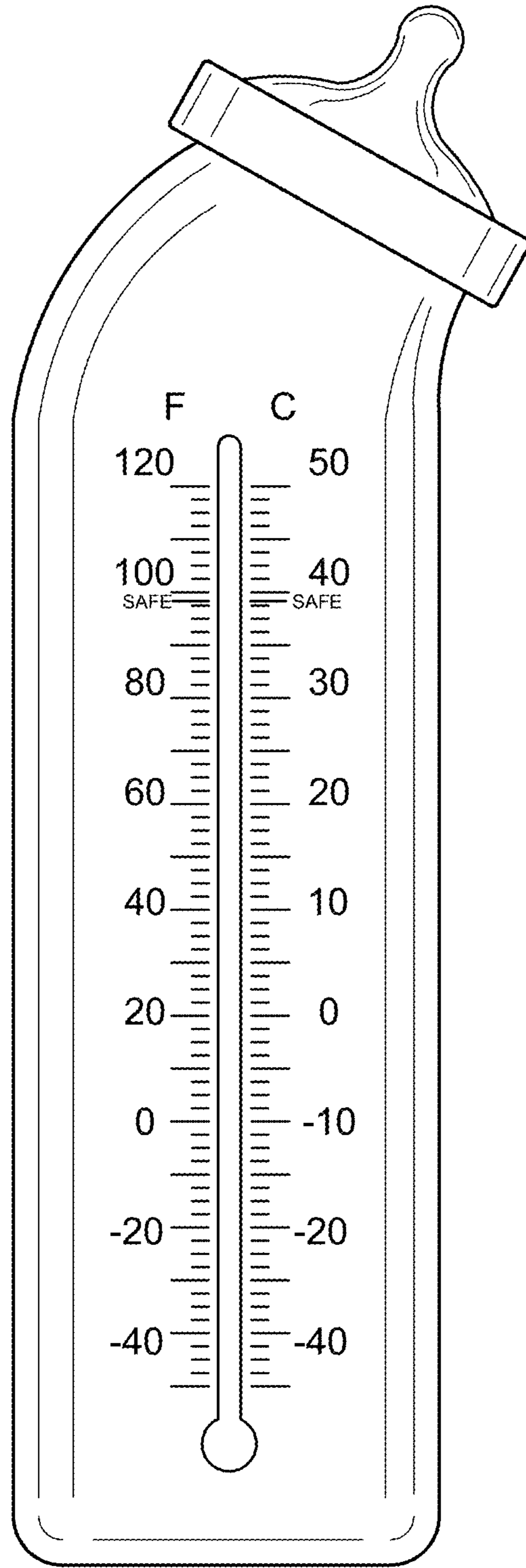


FIG. 1

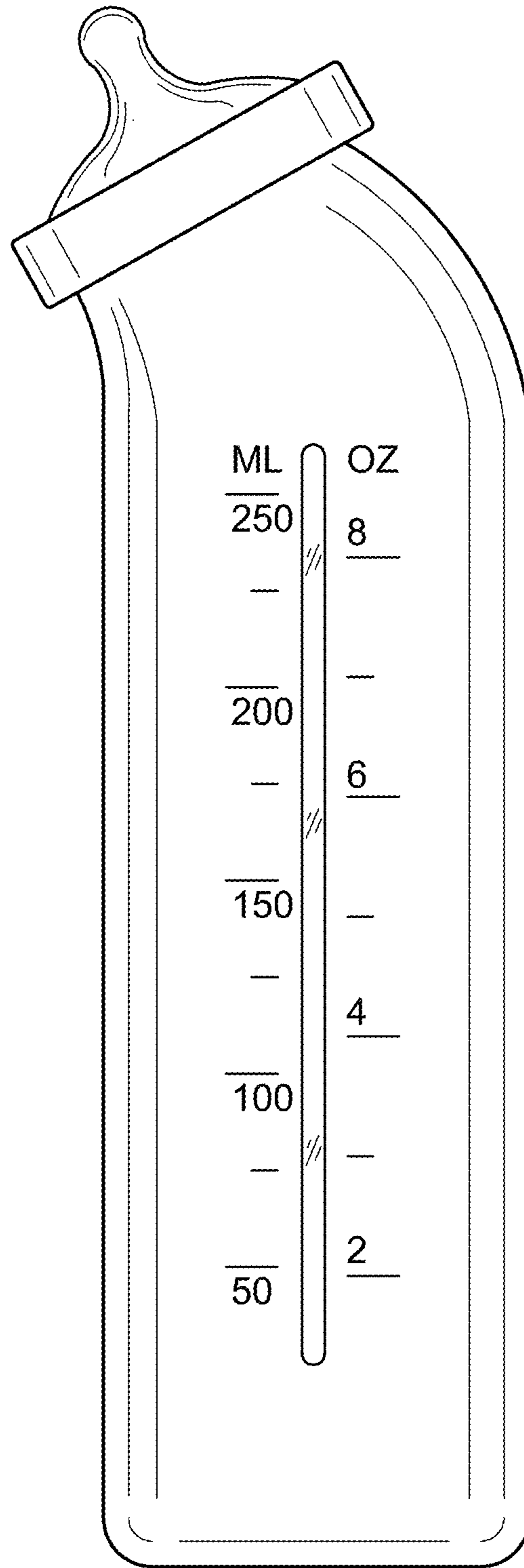


FIG. 2

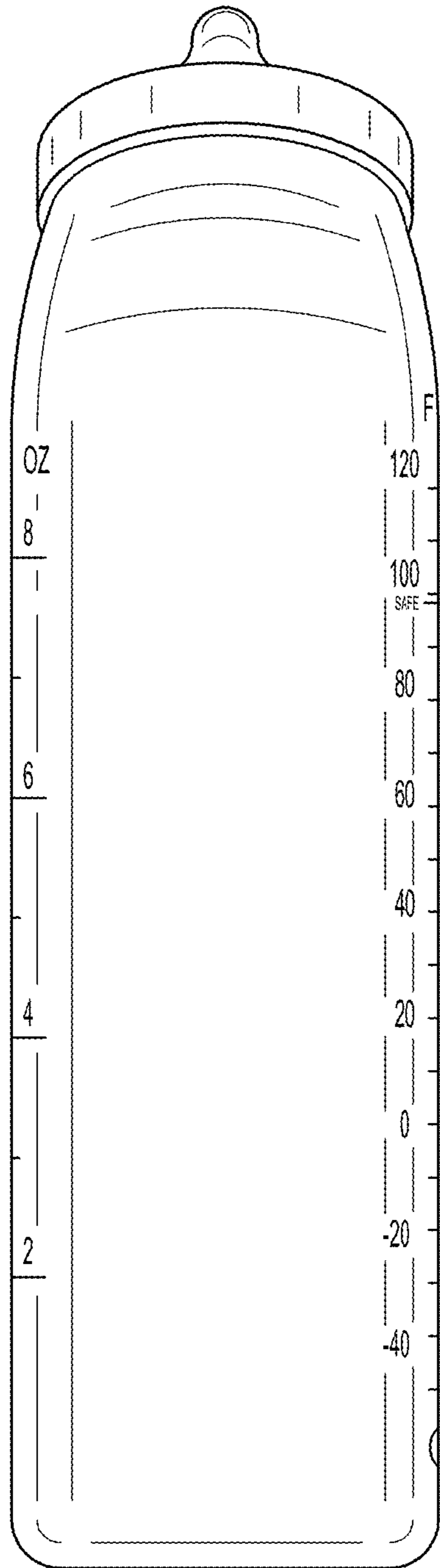


FIG. 3

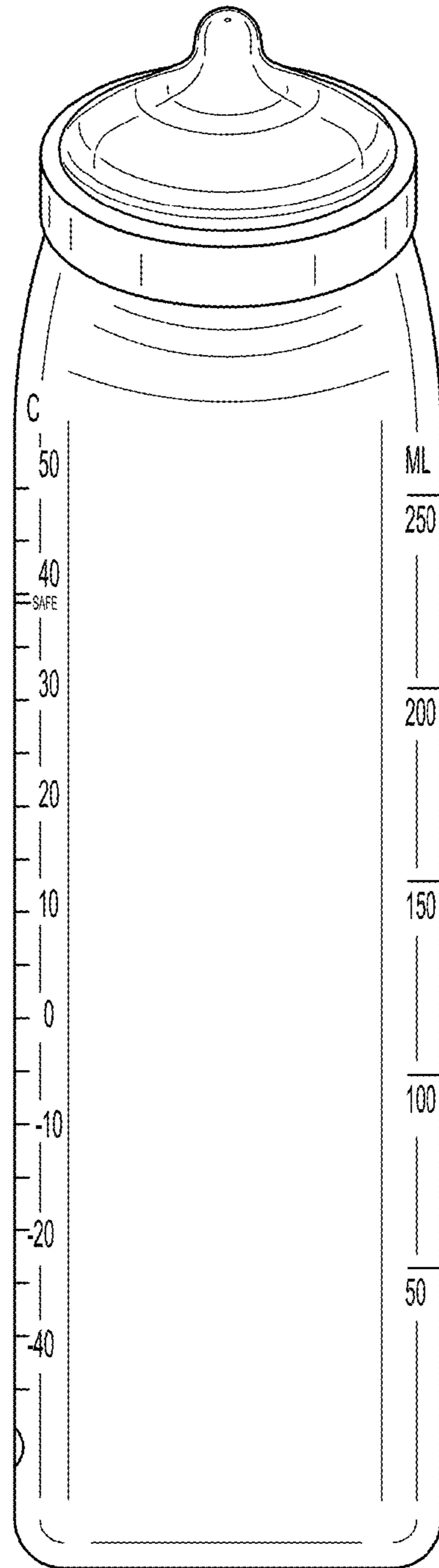


FIG. 4

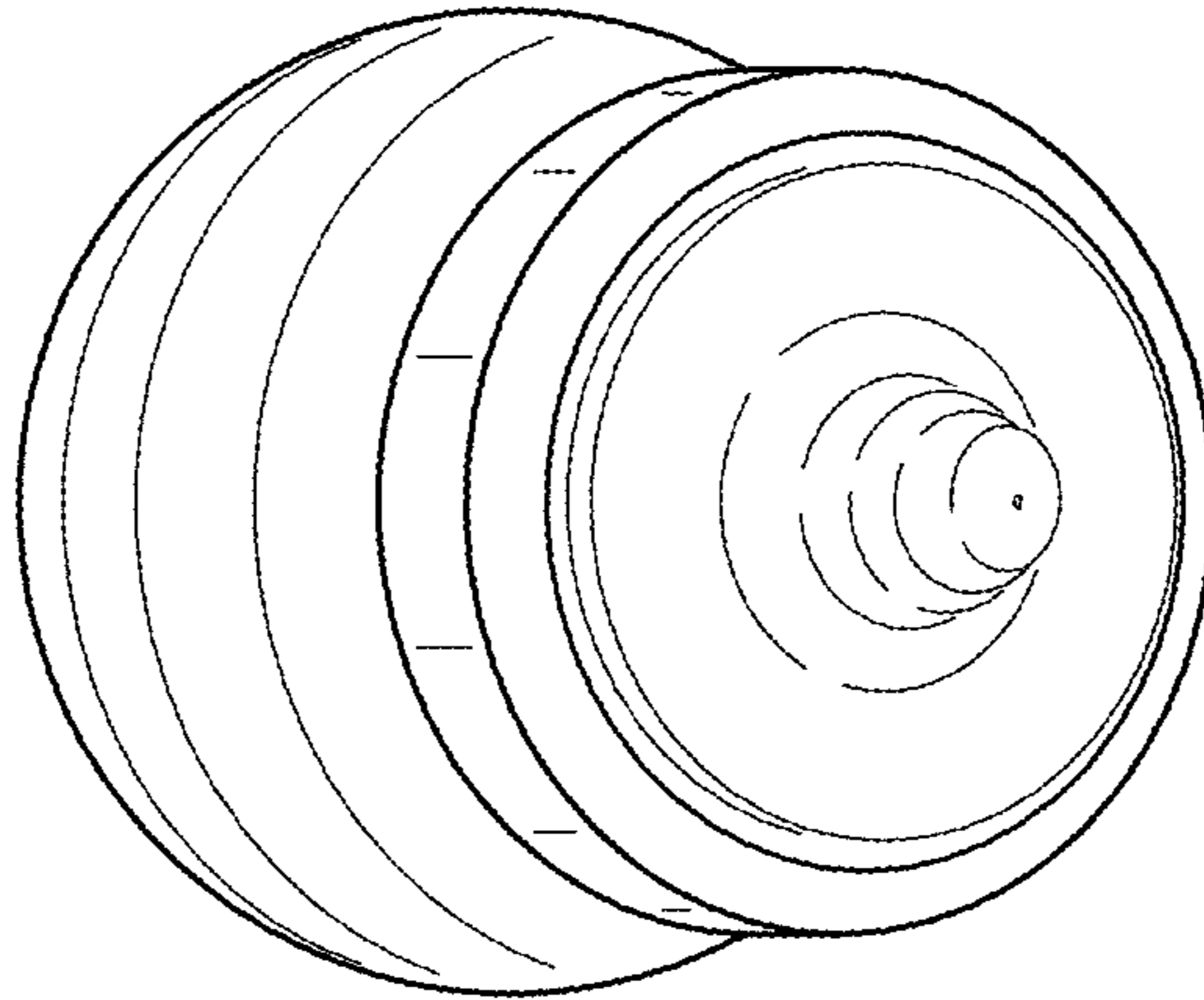


FIG. 5

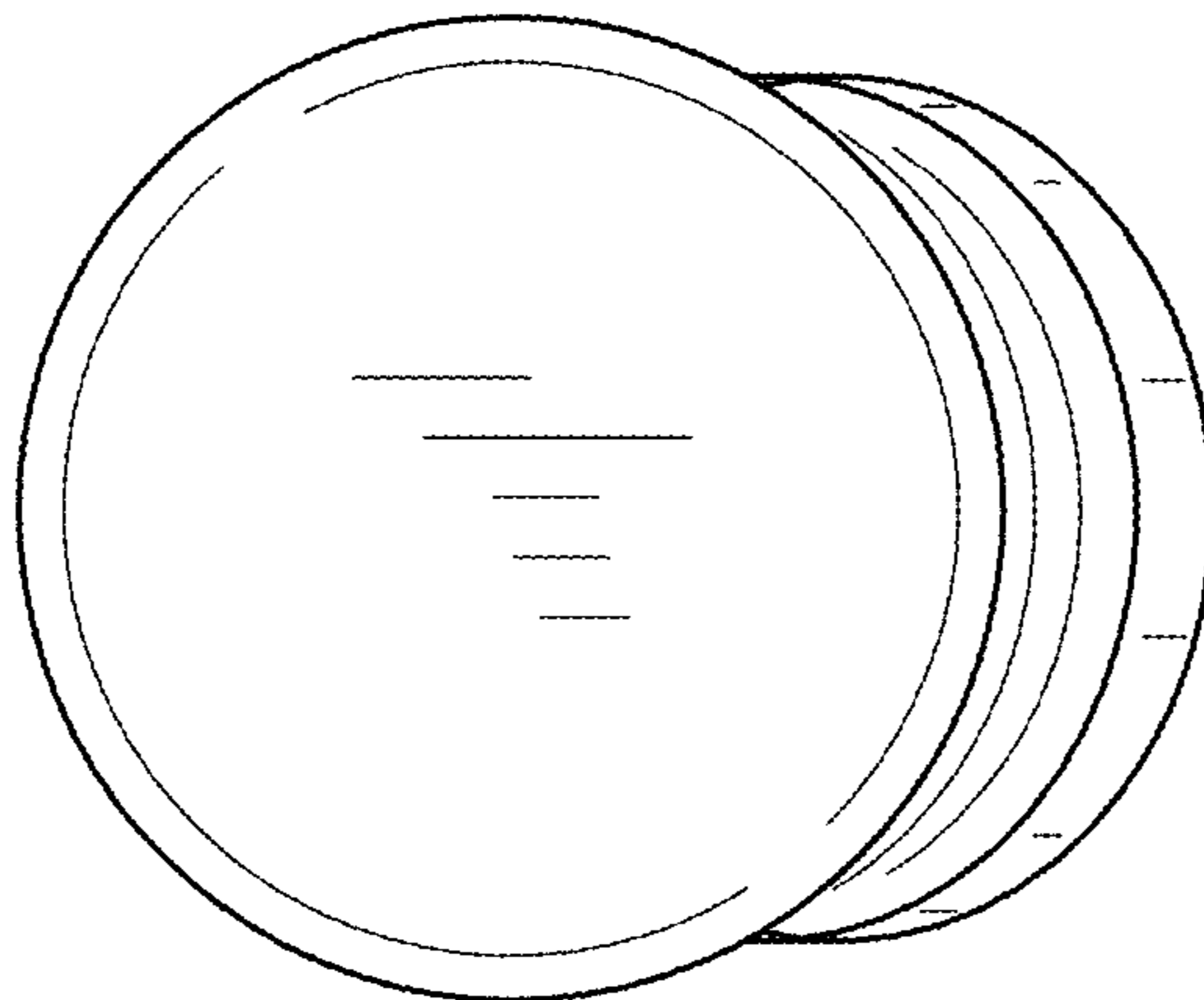


FIG. 6