

US00D768861S

(12) **United States Design Patent**  
**Barak et al.**

(10) **Patent No.:** **US D768,861 S**

(45) **Date of Patent:** **\*\* Oct. 11, 2016**

(54) **COMBINED DESKTOP DISPLAY AND  
COMPUTER FOR INTRAORAL SCANNER**

(71) Applicant: **Align Technology, Inc.**, San Jose, CA  
(US)

(72) Inventors: **Amit Barak**, Tel Aviv (IL); **Arye  
Krasavets**, Jerusalem (IL); **Rami  
Boltanski**, Kiryat Ono (IL); **Nir  
Makmel**, Tel Aviv (IL); **Erez Lampert**,  
Rehovot (IL); **David Altit**, Tel Aviv  
(IL)

(73) Assignee: **Align Technology, Inc.**, San Jose, CA  
(US)

(\*\*) Term: **14 Years**

(21) Appl. No.: **29/519,752**

(22) Filed: **Mar. 6, 2015**

(51) **LOC (10) Cl.** ..... **24-01**

(52) **U.S. Cl.**  
USPC ..... **D24/176; D24/160**

(58) **Field of Classification Search**  
USPC ..... D24/185, 186, 187, 107, 108, 158-161,  
D24/152, 176, 177; D14/307  
CPC ..... A61B 2019/0248; A61B 2019/025;  
A61B 8/42; G03B 42/025; G03B 42/042  
See application file for complete search history.

(56) **References Cited**

U.S. PATENT DOCUMENTS

D361,619 S	8/1995	Phelps et al.
D414,867 S	10/1999	Moriwaki et al.
6,599,238 B2	7/2003	Ooshima et al.
D487,805 S	3/2004	Kondo
6,761,561 B2	7/2004	Mandelkern et al.
D532,906 S	11/2006	Kim et al.

D558,345 S	12/2007	Witt
D562,456 S	2/2008	Scruggs et al.
D585,554 S	1/2009	Suzuki
D629,524 S	12/2010	Zeller et al.
D630,747 S	1/2011	Shinohara
D648,855 S	11/2011	Smith et al.

(Continued)

*Primary Examiner* — Anhdao Doan

(74) *Attorney, Agent, or Firm* — Lowenstein Sandler LLP

(57) **CLAIM**

The ornamental design for a combined desktop display and computer for intraoral scanner, as shown and described.

**DESCRIPTION**

FIG. 1 is a perspective view of a desktop display and computer for an intraoral scanner showing a first embodiment of our new design that includes a cradle for the intraoral scanner.

FIG. 2 is a second perspective view of the first embodiment thereof.

FIG. 3 is a front view of the first embodiment thereof.

FIG. 4 is a rear view of the first embodiment thereof.

FIG. 5 is a side view of the first embodiment thereof.

FIG. 6 is a side view of the first embodiment thereof.

FIG. 7 is a top view of the first embodiment thereof.

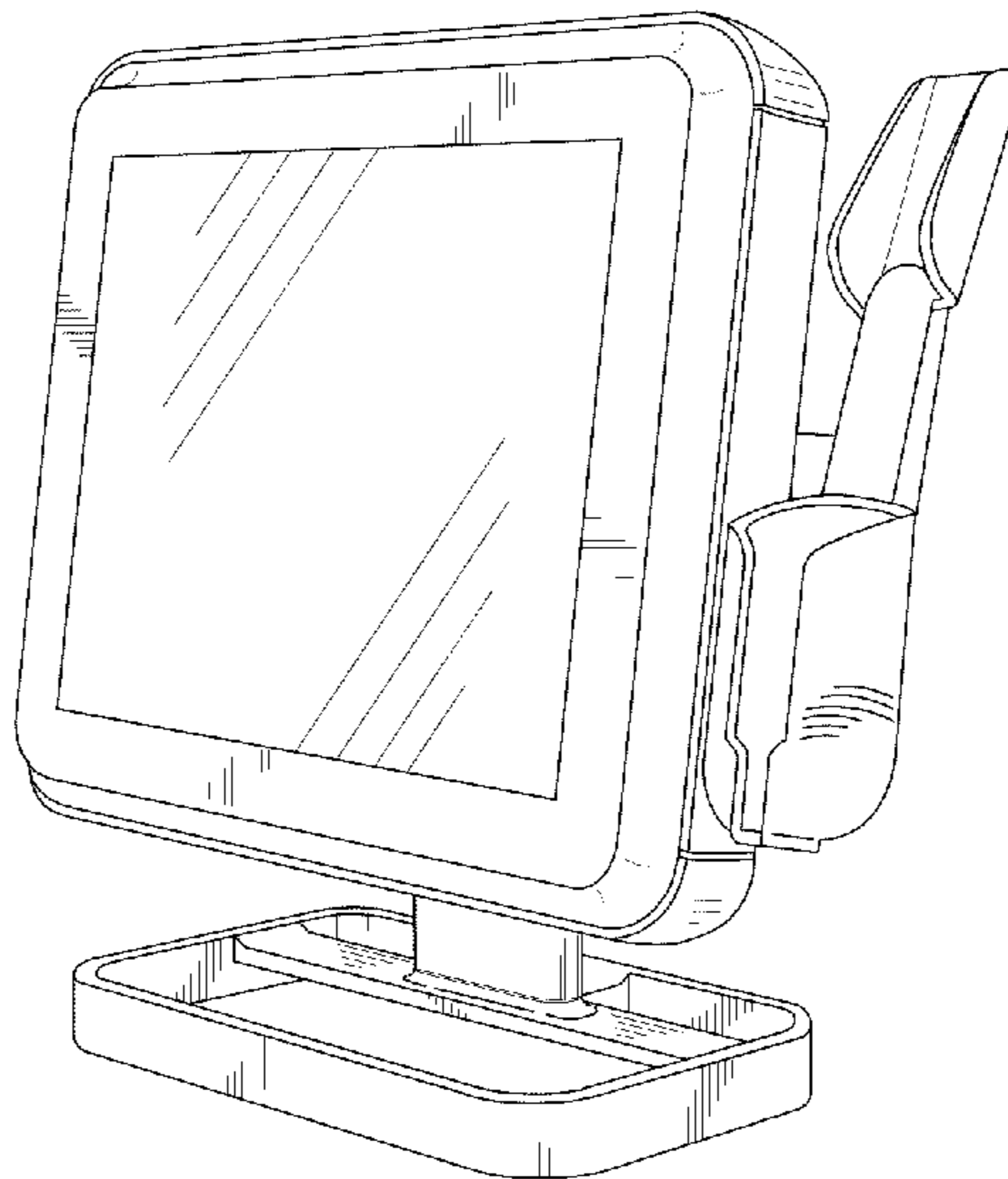
FIG. 8 is a bottom view of the first embodiment thereof.

FIG. 9 is a perspective view of a second embodiment of a desktop display and computer for an intraoral scanner. The front, side, top and bottom views of the second embodiment are the same as those of the first embodiment; and,

FIG. 10 is a rear view of the second embodiment thereof.

The broken lines showing the table, cord and scanner in FIG. 9 are directed to environmental subject matters and are for illustrative purposes only, while all other broken lines are directed to portions of the combined desktop display and computer for intraoral scanner that form no part of the claimed design; the broken lines form no part of the claimed design.

**1 Claim, 7 Drawing Sheets**



(56)

**References Cited**

U.S. PATENT DOCUMENTS

D657,470 S 4/2012 Schon et al.  
D658,295 S 4/2012 Geijsen et al.  
8,167,805 B2 5/2012 Emery et al.  
D697,622 S 1/2014 Chung et al.

D711,951 S 8/2014 Mazuir  
D712,037 S \* 8/2014 Hansen ..... D24/158  
2013/0034825 A1 2/2013 Phillips et al.  
2013/0183633 A1 7/2013 Dillon et al.  
2013/0203010 A1 8/2013 Inglese et al.  
2014/0302452 A1 10/2014 Hack

\* cited by examiner

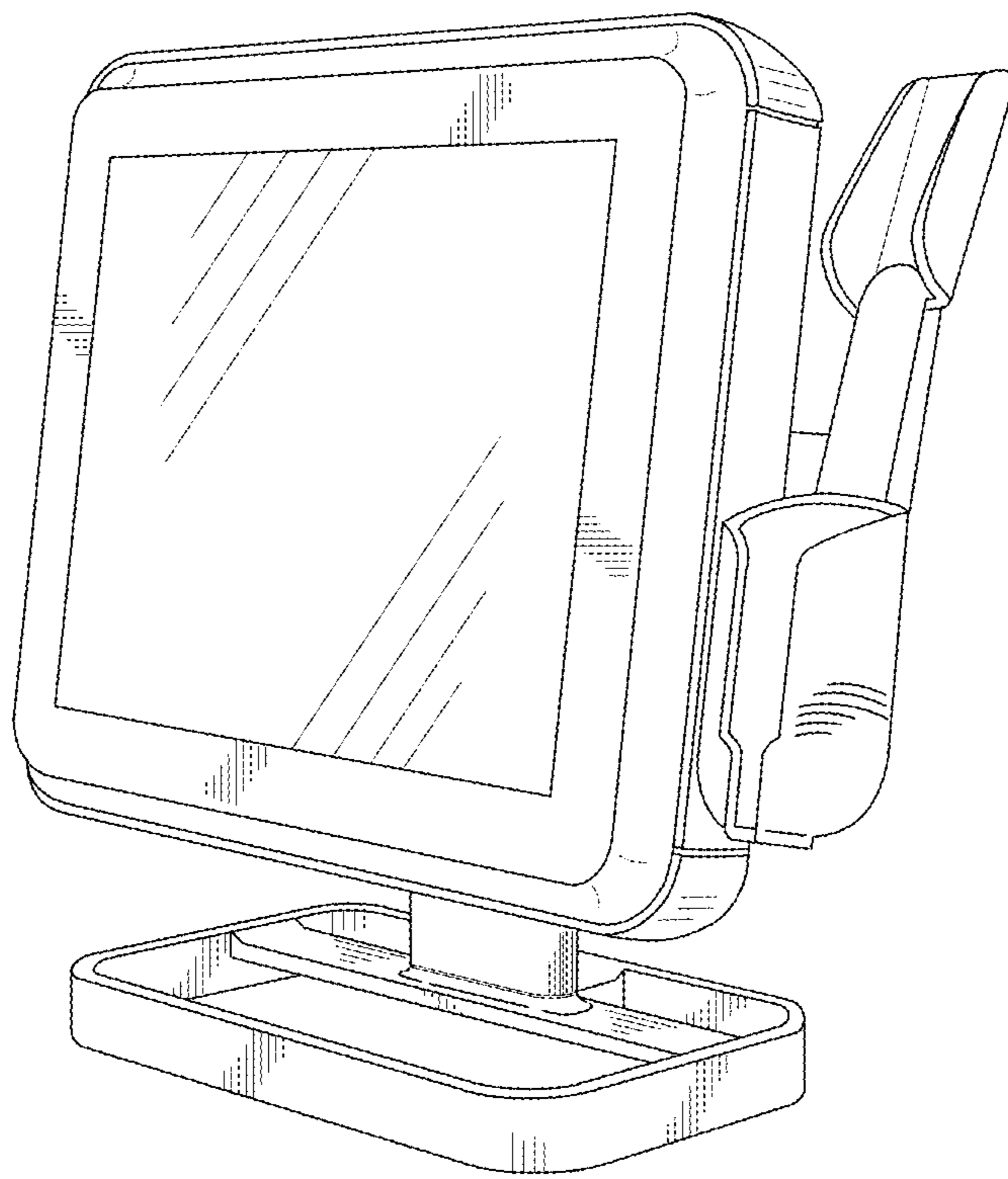


FIG. 1

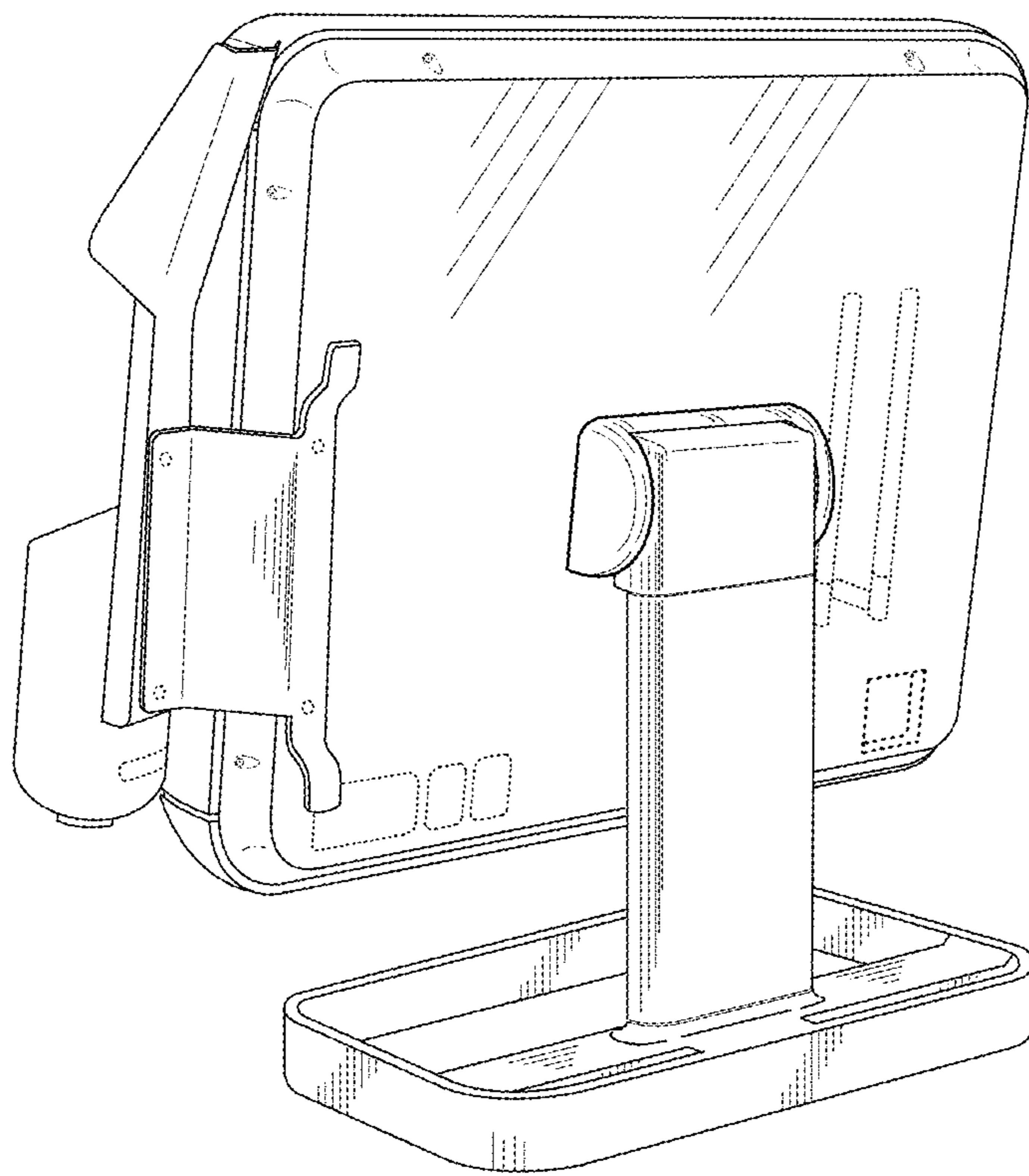


FIG. 2

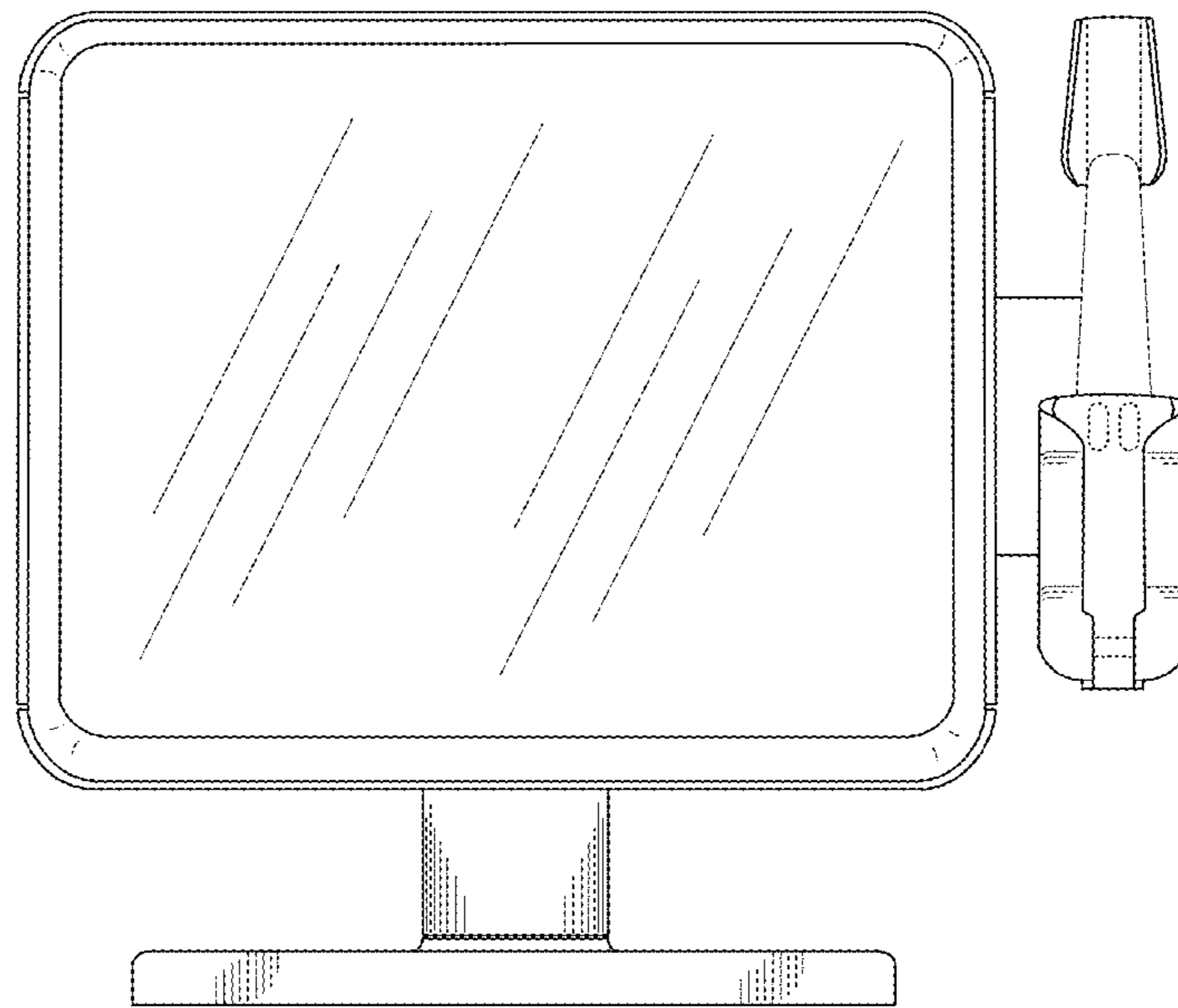


FIG. 3

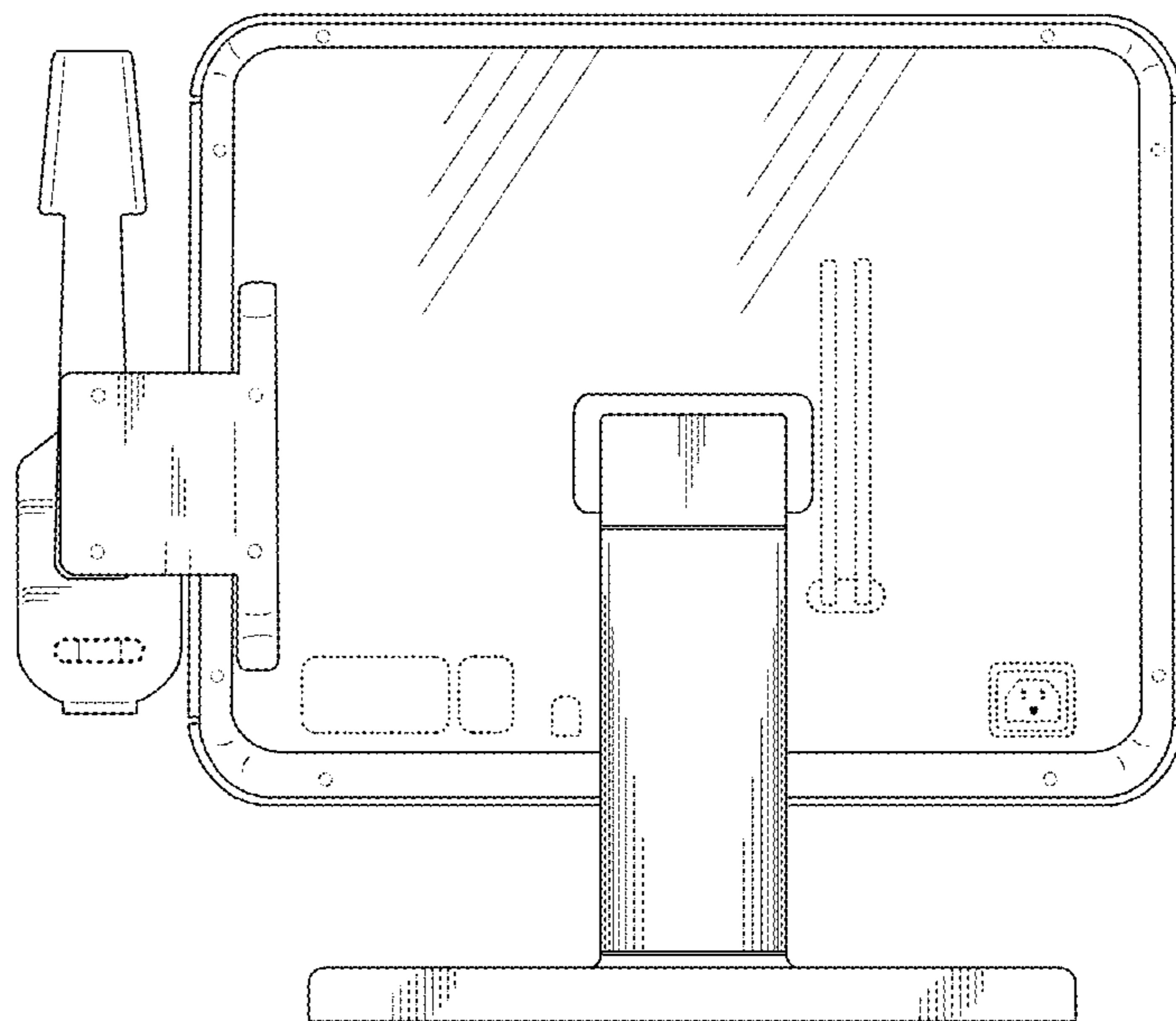
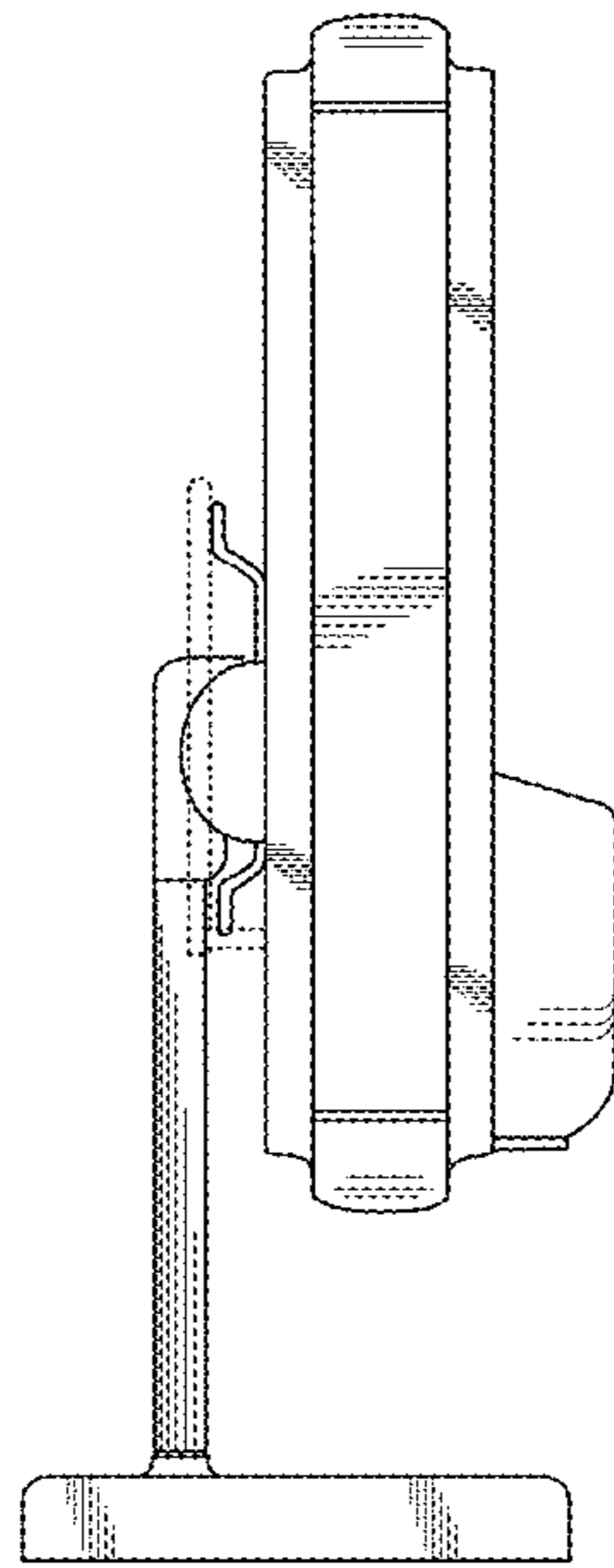
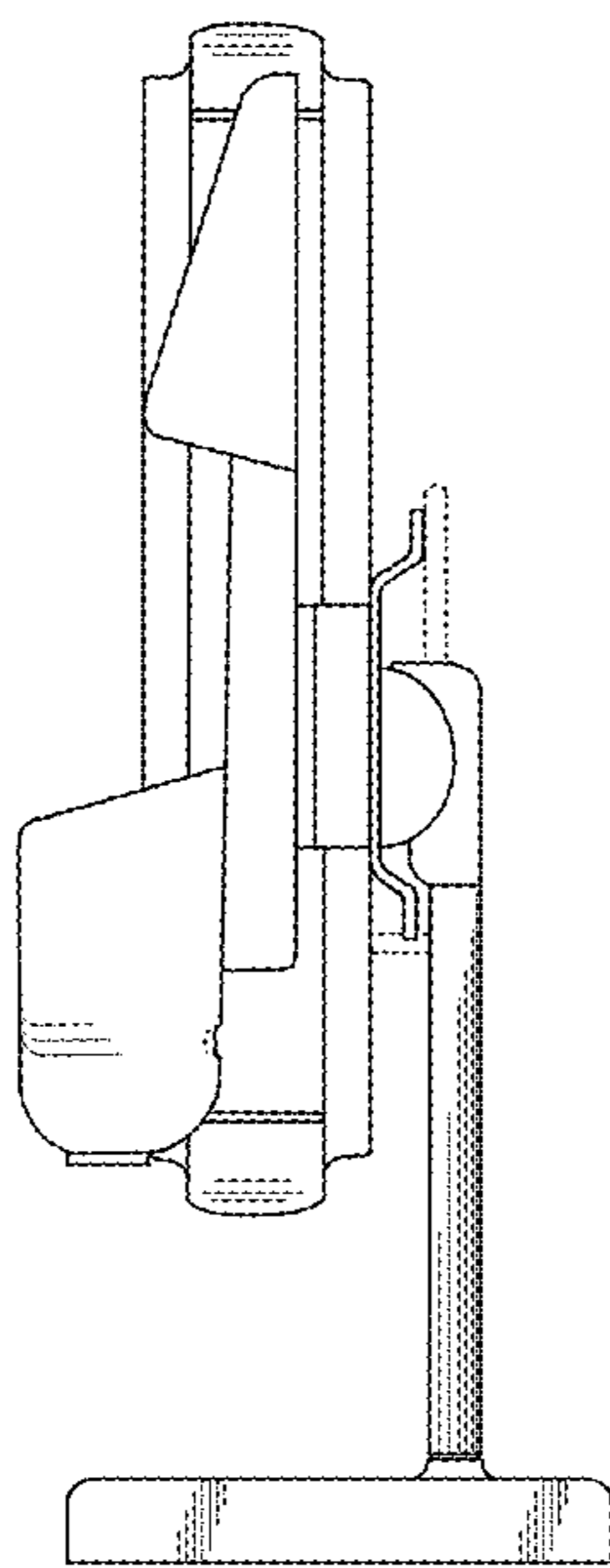


FIG. 4



**FIG. 5**



**FIG. 6**

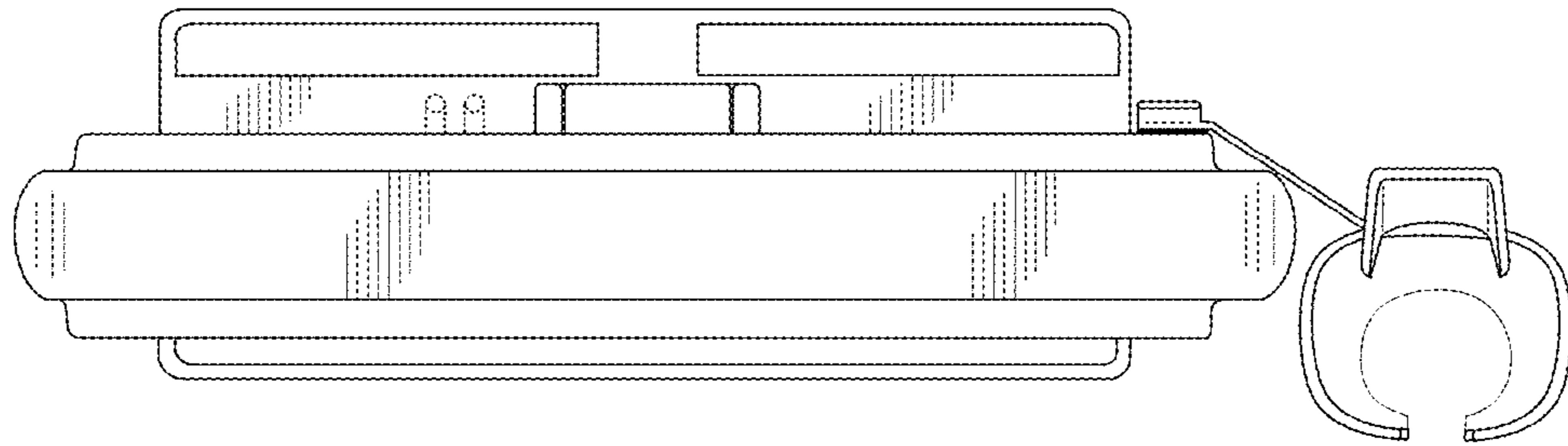


FIG. 7

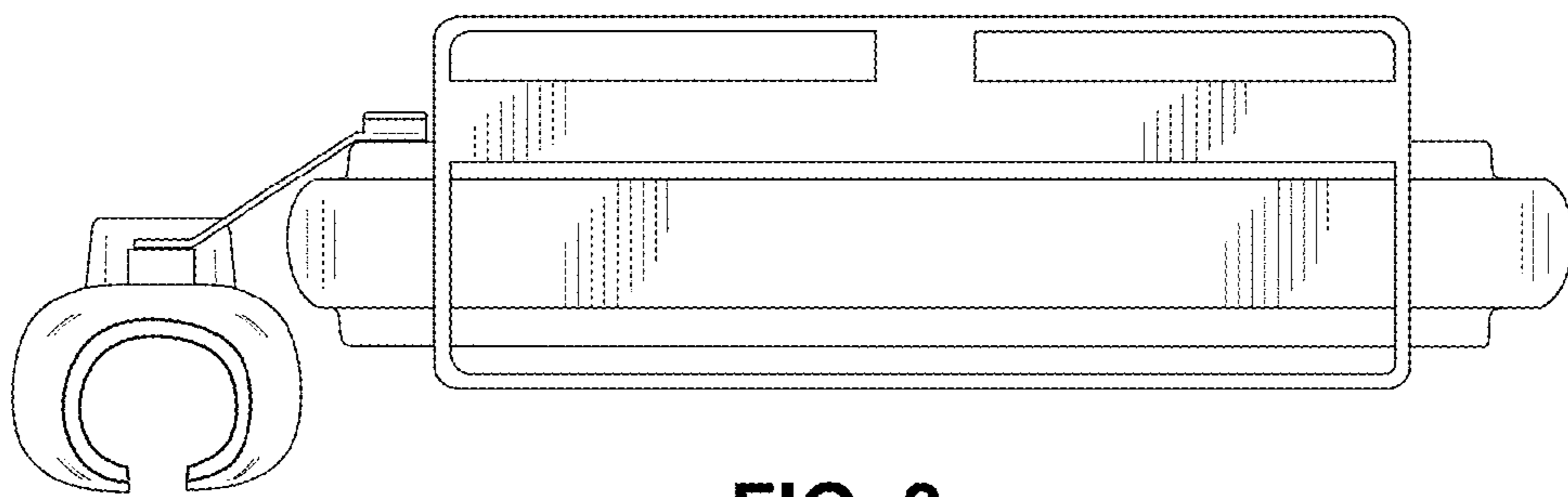


FIG. 8

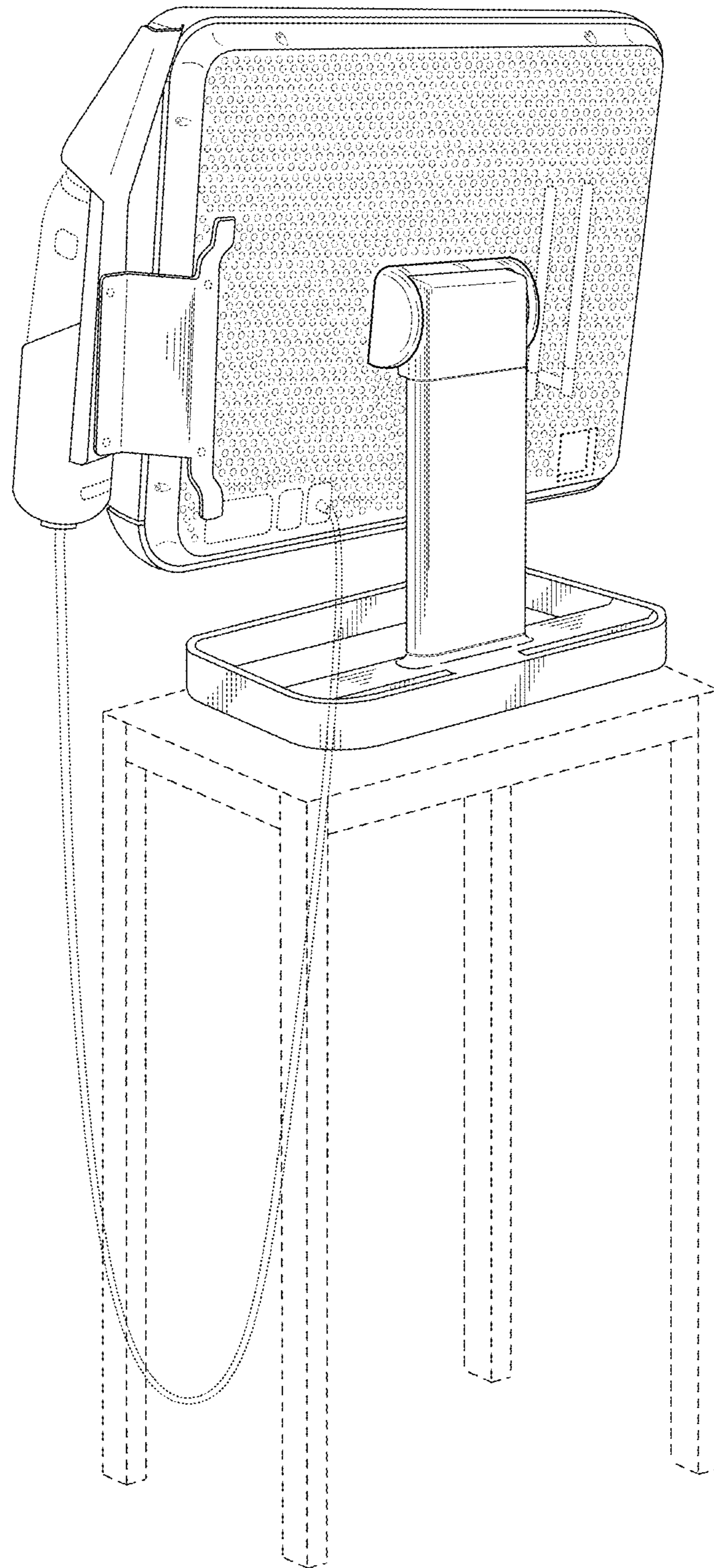


FIG. 9



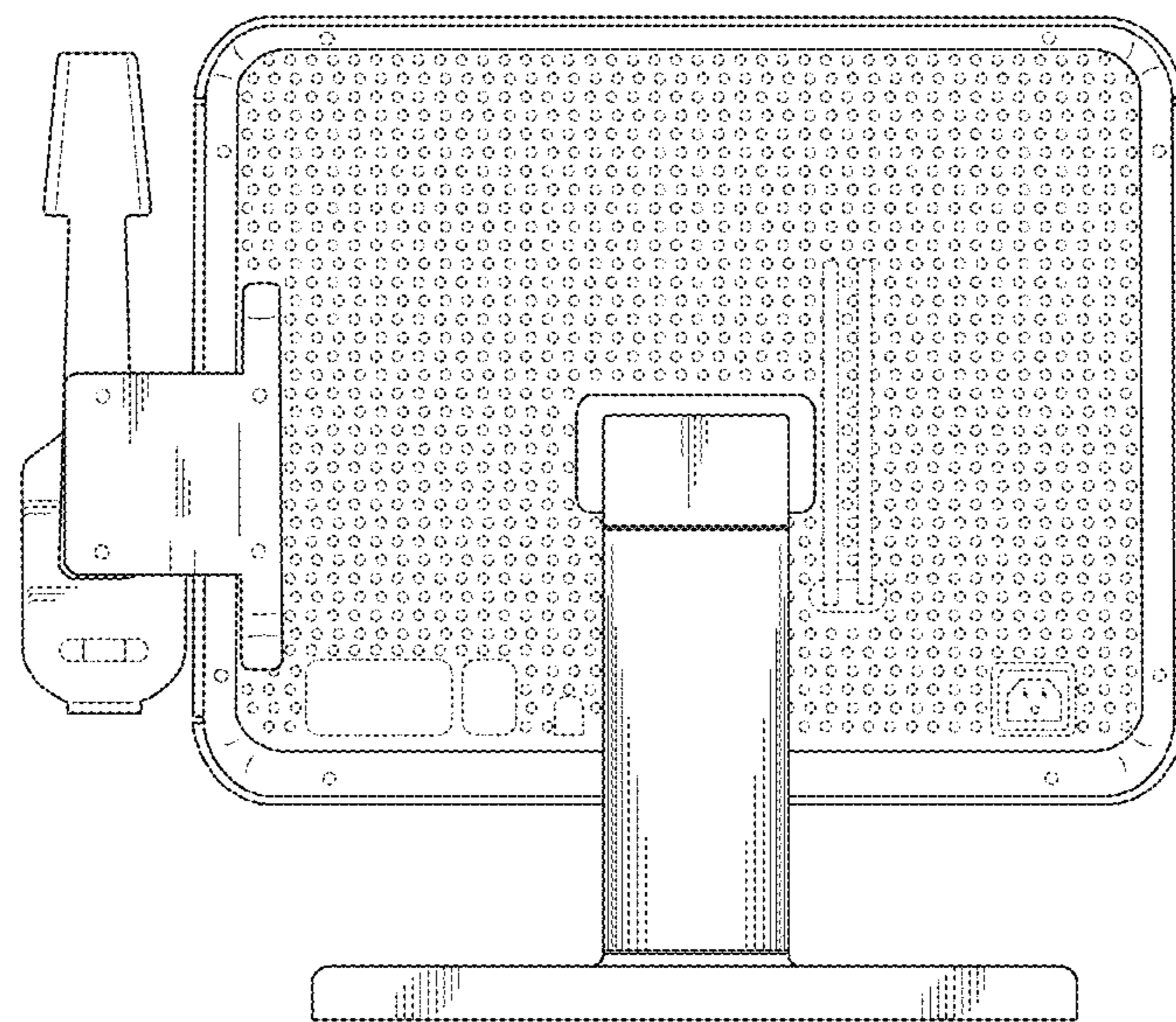


FIG. 10