



US00D768859S

(12) **United States Design Patent** (10) **Patent No.:** **US D768,859 S**  
**Rodriguez Leal et al.** (45) **Date of Patent:** **\*\* Oct. 11, 2016**

- (54) **MEDICAL APPLIANCE**
- (71) Applicant: **Hoope Technologies Corporation**,  
Wilmington, DE (US)
- (72) Inventors: **Ernesto Rodriguez Leal**, Monterrey  
(MX); **Damel Mektepbayeva**, Astana  
(KZ); **Irina Rymshina**, Lima (PE)
- (73) Assignee: **HOOPE TECHNOLOGIES**  
**CORPORATION**, Wilmington (DE)
- (\*\*) Term: **15 Years**
- (21) Appl. No.: **29/536,248**
- (22) Filed: **Aug. 14, 2015**
- (51) **LOC (10) Cl.** ..... **24-01**
- (52) **U.S. Cl.**  
USPC ..... **D24/169**
- (58) **Field of Classification Search**  
USPC ..... D24/216, 223, 231, 232, 107, 169, 186,  
D24/146, 147; D10/46, 75, 81  
CPC .... G01N 33/66; G01N 33/49; G01N 33/493;  
A61B 5/14532; A61B 5/1411; A61B  
5/150022; A61B 5/15113  
See application file for complete search history.

- (56) **References Cited**  
U.S. PATENT DOCUMENTS  
5,438,201 A \* 8/1995 Rosenthal ..... A61B 5/02433  
250/341.1  
5,873,844 A 2/1999 Campero et al.  
7,686,773 B2 3/2010 Lindquist  
D640,367 S \* 6/2011 Lin ..... D24/107  
8,121,696 B2 2/2012 Vallero  
D718,455 S \* 11/2014 Maser ..... D24/169

- D723,170 S \* 2/2015 Hsu ..... D24/169
- 2008/0319291 A1 \* 12/2008 Freeman ..... A61B 5/1411  
600/347
- 2009/0264720 A1 10/2009 Torjman et al.
- 2010/0004522 A1 1/2010 Varela
- 2011/0288456 A1 11/2011 Vallero
- 2014/0257066 A1 \* 9/2014 Suess ..... A61B 5/150748  
600/365
- 2015/0208967 A1 \* 7/2015 Tateda ..... A61B 5/14552  
600/324

\* cited by examiner

*Primary Examiner* — Anhdao Doan

(74) *Attorney, Agent, or Firm* — Procopio, Cory,  
Hargreaves & Savitch LLP

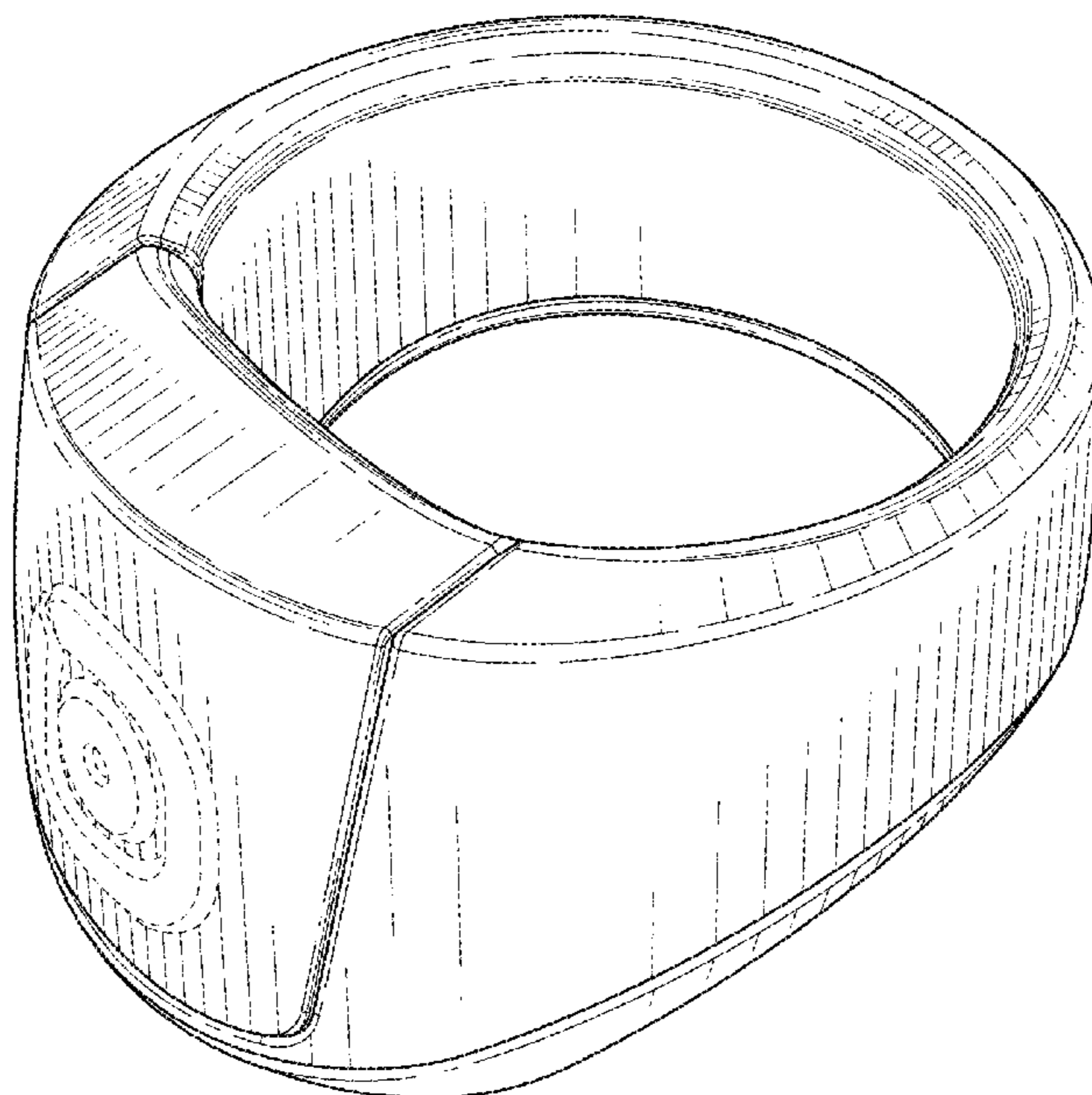
(57) **CLAIM**

The ornamental design for a medical appliance, as shown  
and described.

**DESCRIPTION**

FIG. 1 is a perspective view of a medical appliance of the  
present design;  
FIG. 2 is a top view thereof;  
FIG. 3 is a bottom view thereof;  
FIG. 4 is a first side view thereof;  
FIG. 5 is a second side view thereof;  
FIG. 6 is a third side view thereof;  
FIG. 7 is a fourth side view thereof; and,  
FIG. 8 is a perspective view thereof positioned around a  
body part.  
The broken lines showing a body part in FIG. 8 depict  
environmental subject matter, and all other broken lines  
depicted portions of the medical appliance that form no part  
of the claimed design. The broken lines form no part of the  
claimed design.

**1 Claim, 5 Drawing Sheets**



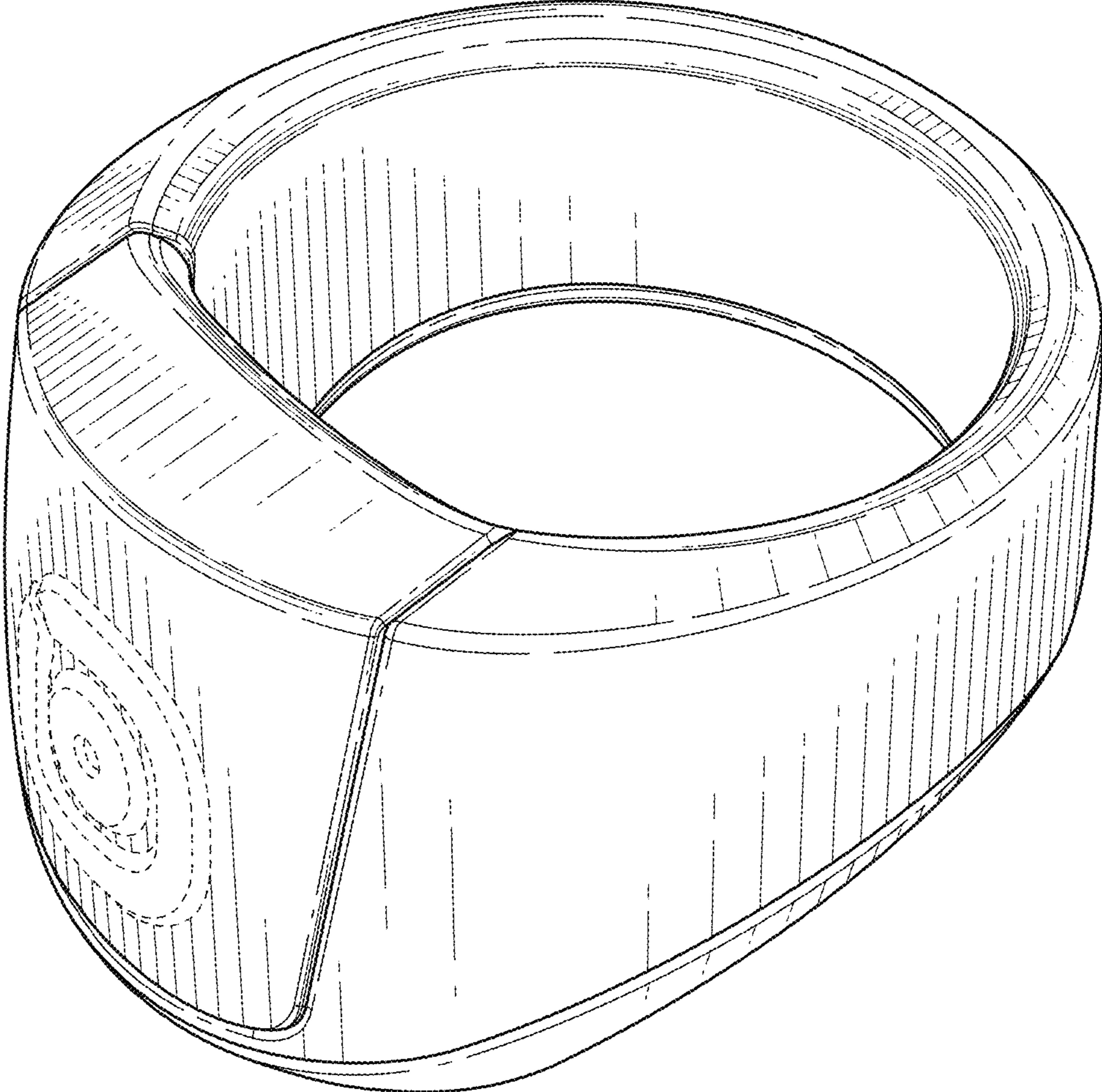


FIG. 1

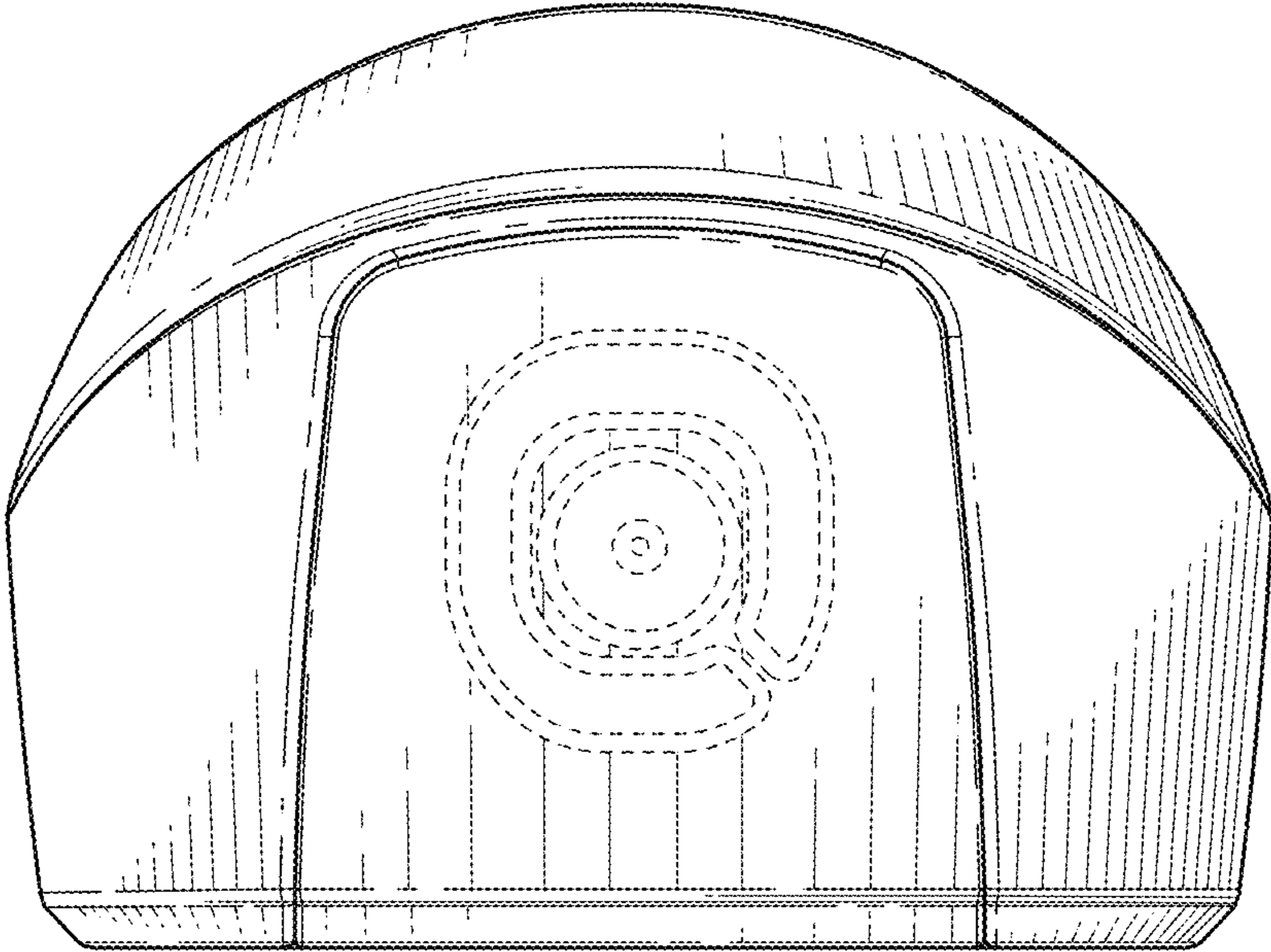


FIG. 2

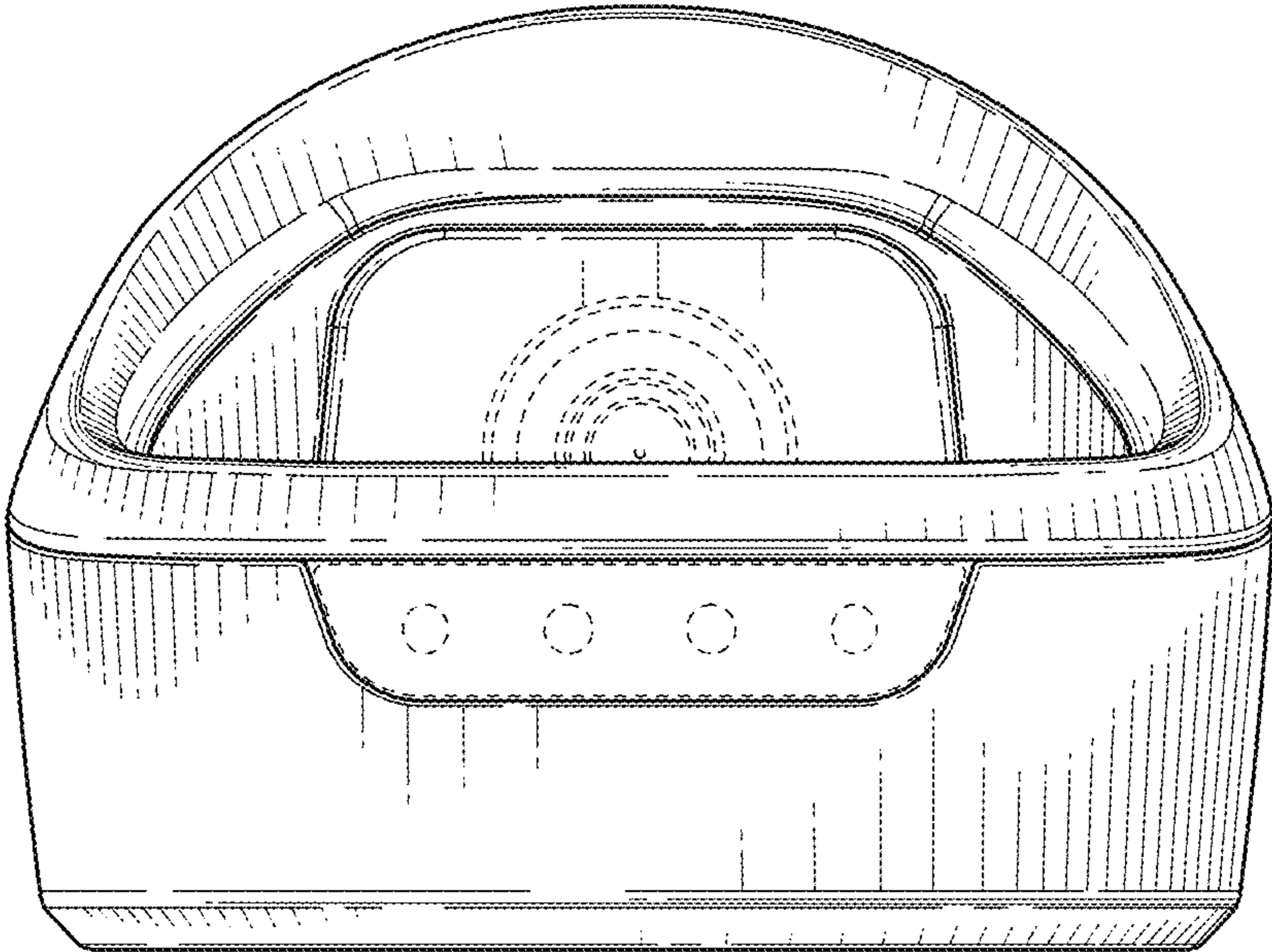


FIG. 3



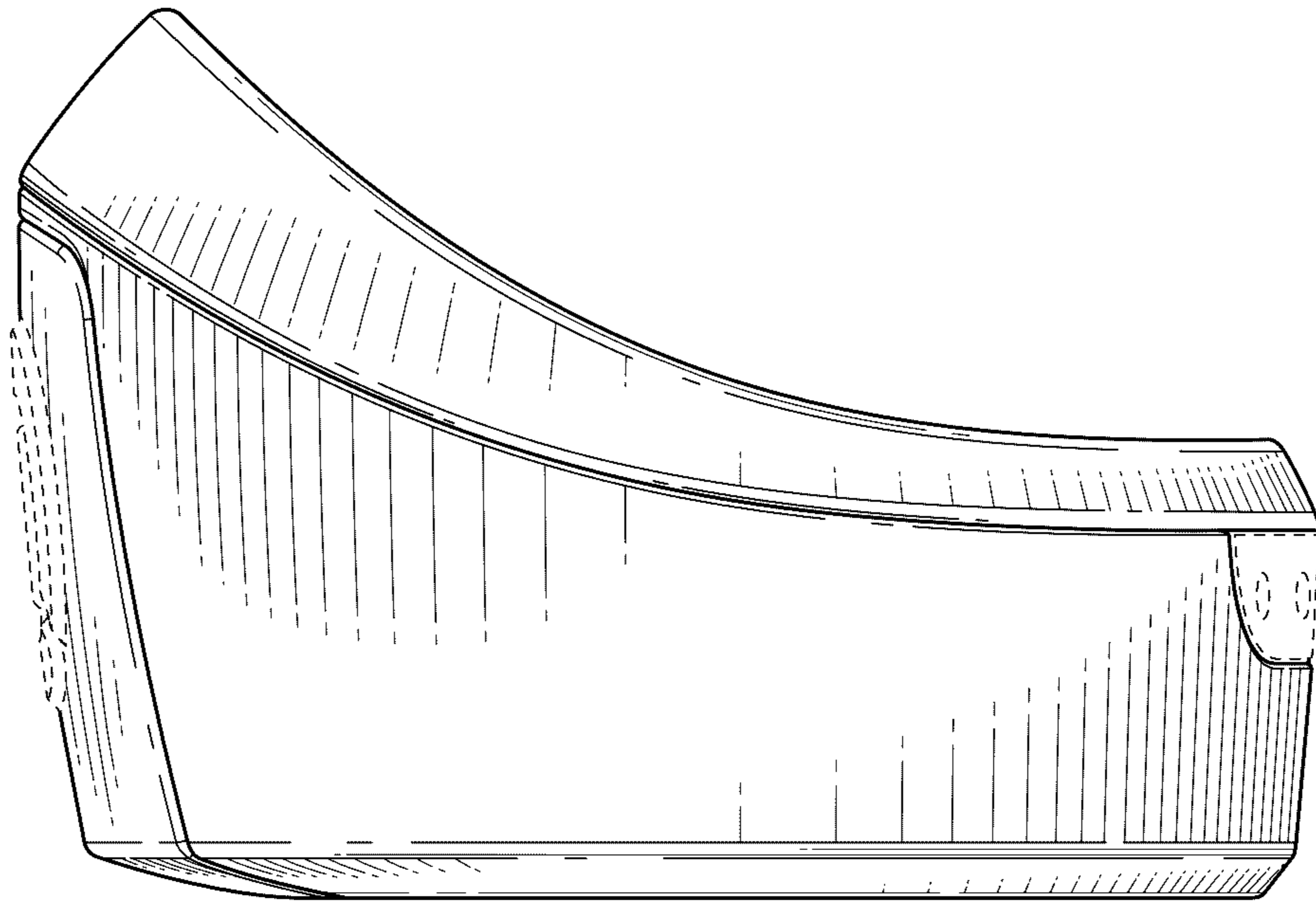


FIG. 4

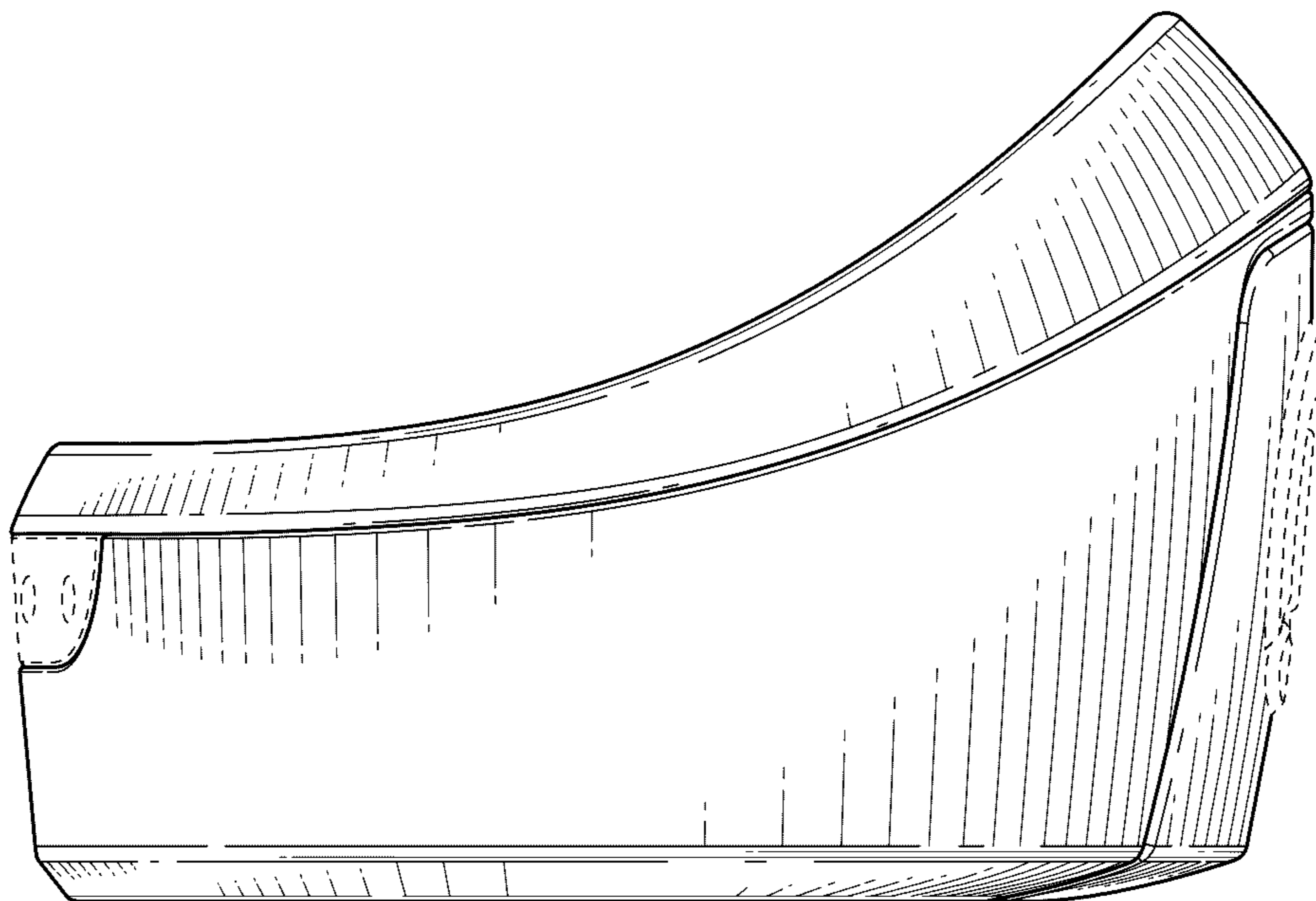


FIG. 5

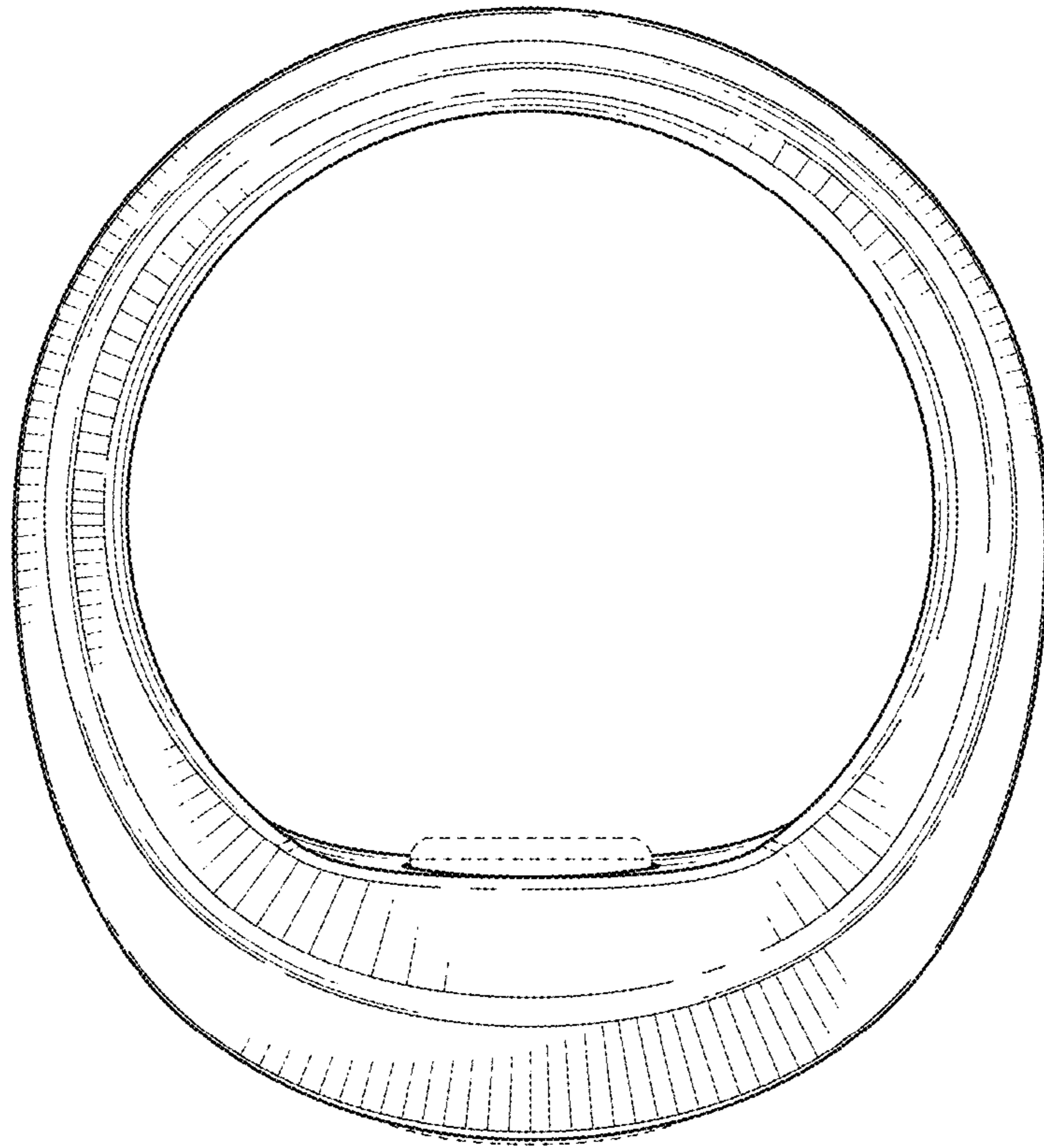


FIG. 6

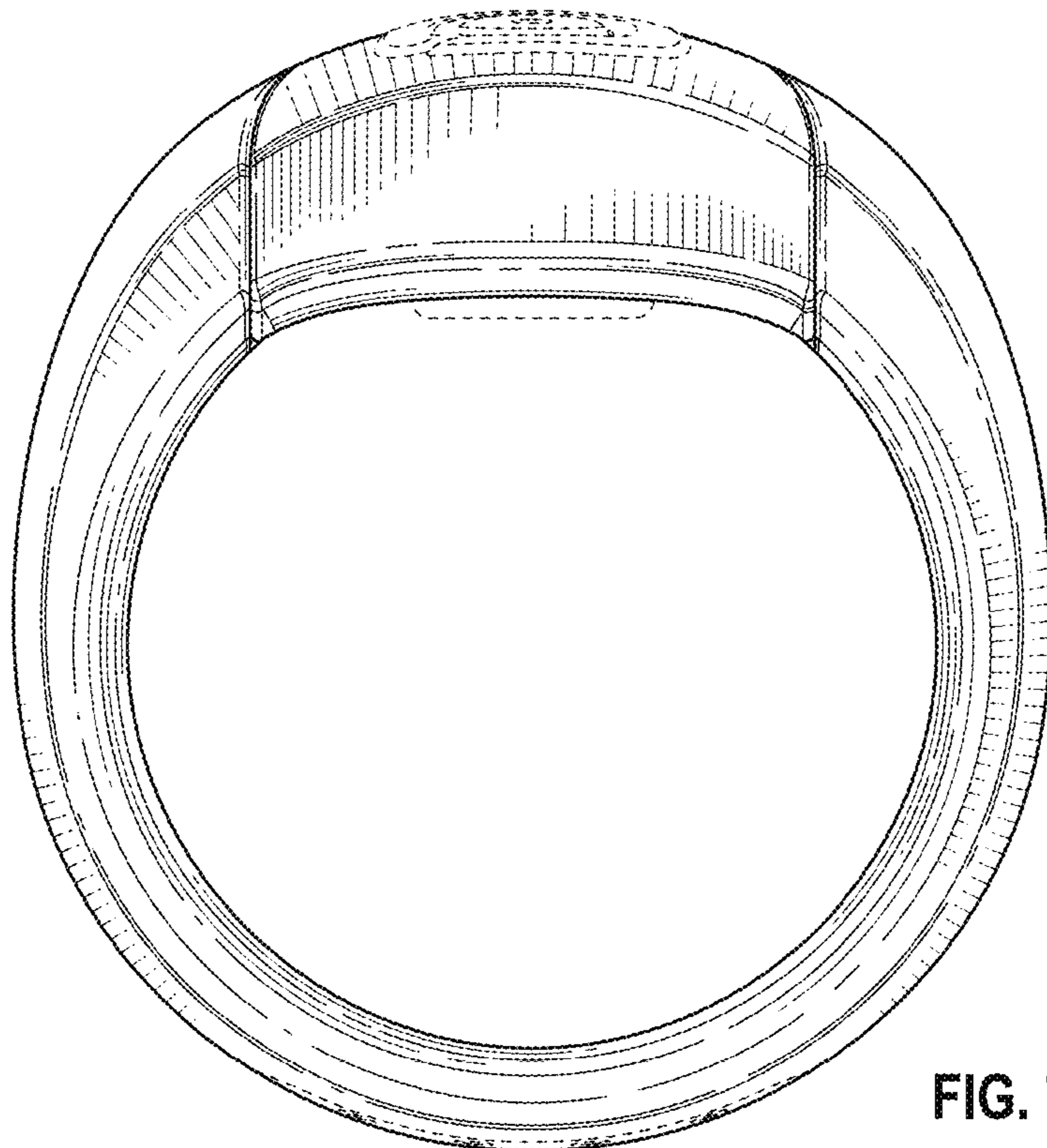


FIG. 7

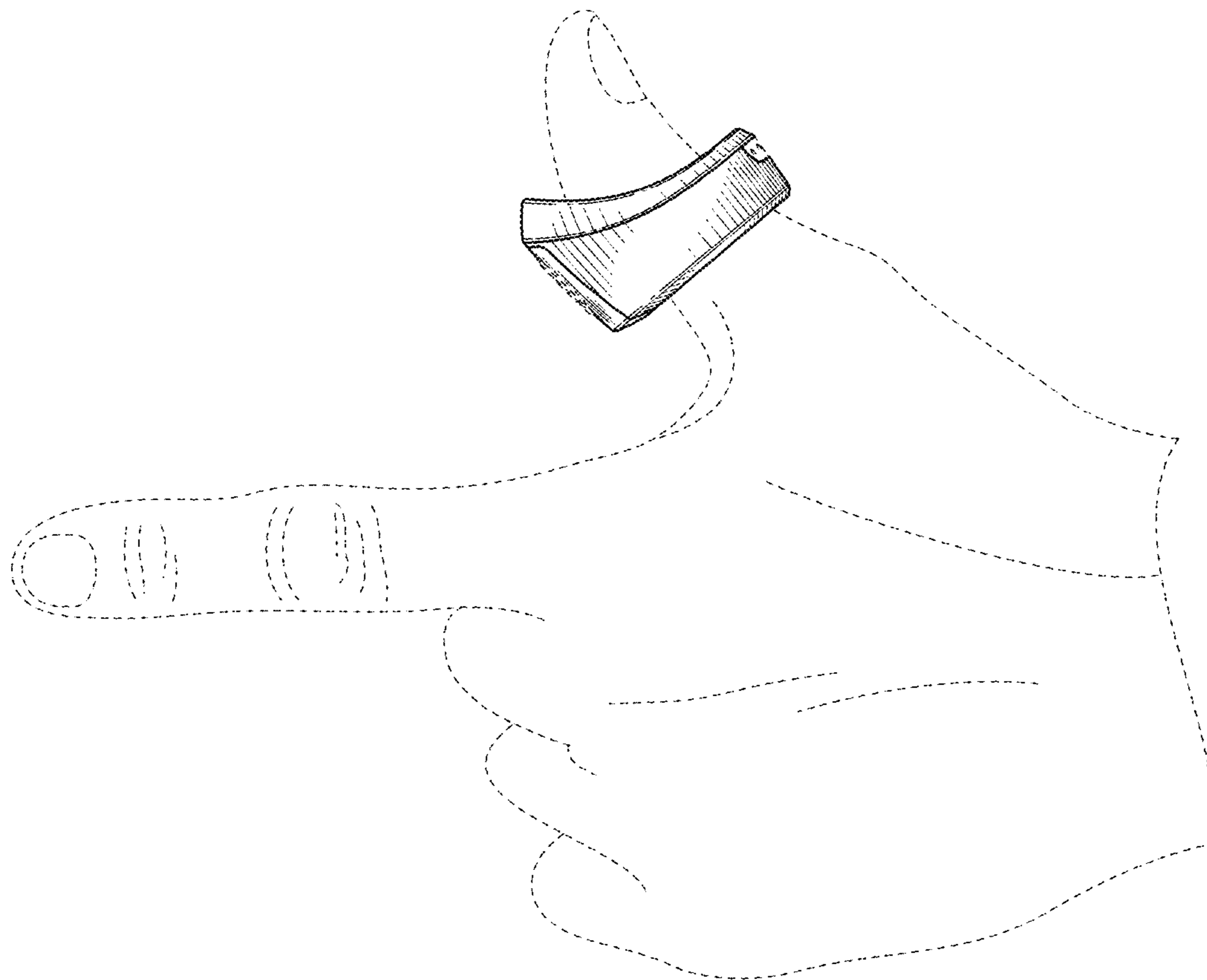


FIG. 8