



US00D768858S

(12) **United States Design Patent**
Komulainen

(10) **Patent No.:** **US D768,858 S**
(45) **Date of Patent:** **** Oct. 11, 2016**

(54) **HEART RATE MONITOR**

(71) Applicant: **Polar Electro Oy**, Kempele (FI)

(72) Inventor: **Olli Komulainen**, Oulu (FI)

(73) Assignee: **POLAR ELECTRO OY**, Kempele (FI)

(**) Term: **14 Years**

(21) Appl. No.: **29/517,277**

(22) Filed: **Feb. 11, 2015**

(30) **Foreign Application Priority Data**

Aug. 20, 2014 (EM) 002522359-0001

(51) **LOC (10) Cl.** **24-01**

(52) **U.S. Cl.**
USPC **D24/167**

(58) **Field of Classification Search**
USPC D24/164–168, 186, 187; D10/30–32,
D10/37, 38, 75, 70, 78; D14/344, 138 R
CPC .. A61B 5/0402; A61B 5/0404; A61B 5/021;
A61B 5/024; A61B 5/02438; A61B 5/681;
A61B 2560/0205; A61B 2560/0462
See application file for complete search history.

(56) **References Cited**

U.S. PATENT DOCUMENTS

D452,006 S * 12/2001 Komulainen D10/31
D508,038 S * 8/2005 Bonadei D10/32
D674,488 S * 1/2013 McKay D24/167
D680,651 S * 4/2013 Lumme D24/167
D720,074 S * 12/2014 Suvilaakso D24/167
D736,652 S * 8/2015 Isaacs D10/32

D743,820 S * 11/2015 Song D10/30
2014/0221854 A1 * 8/2014 Wai A61B 5/02438
600/508
2015/0366469 A1 * 12/2015 Harris A61B 5/0402
600/301

* cited by examiner

Primary Examiner — Anhdao Doan

(74) *Attorney, Agent, or Firm* — Hoffmann & Baron, LLP

(57) **CLAIM**

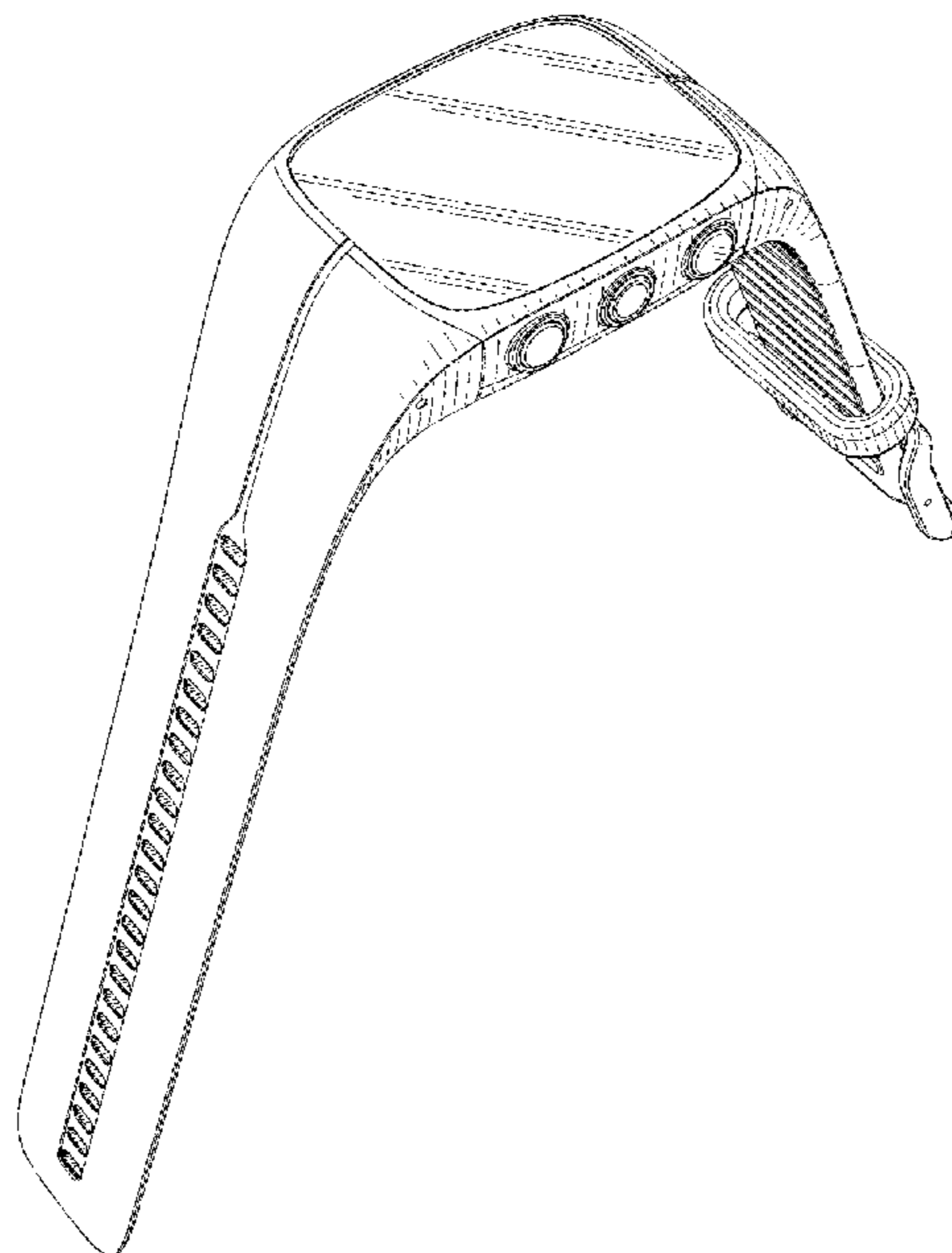
The ornamental design for a heart rate monitor, as shown and described.

DESCRIPTION

FIG. 1 is a top-end view of a heart rate monitor;
FIG. 2 is a rear view of the heart rate monitor;
FIG. 3 is a bottom-end view of the heart rate monitor;
FIG. 4 is a left-side view of the heart rate monitor;
FIG. 5 is a right-side view of the heart rate monitor;
FIG. 6 is a front view of the heart rate monitor;
FIG. 7 is a first isometric view of the heart rate monitor; and,
FIG. 8 is a second isometric view of the heart rate monitor.
The broken lines in the drawing are included for the purpose of illustrating portions of the heart rate monitor that form no part of the claimed design.

A portion of the disclosure of this patent document contains material to which a claim for trademark is made. Specifically, the mark POLAR® is a registered mark of Polar Electro Oy. The owner has no objection to the reproduction of the patent document or the patent disclosure, as it appears in the U.S. Patent Office records, but reserves all other trademark rights whatsoever.

1 Claim, 8 Drawing Sheets



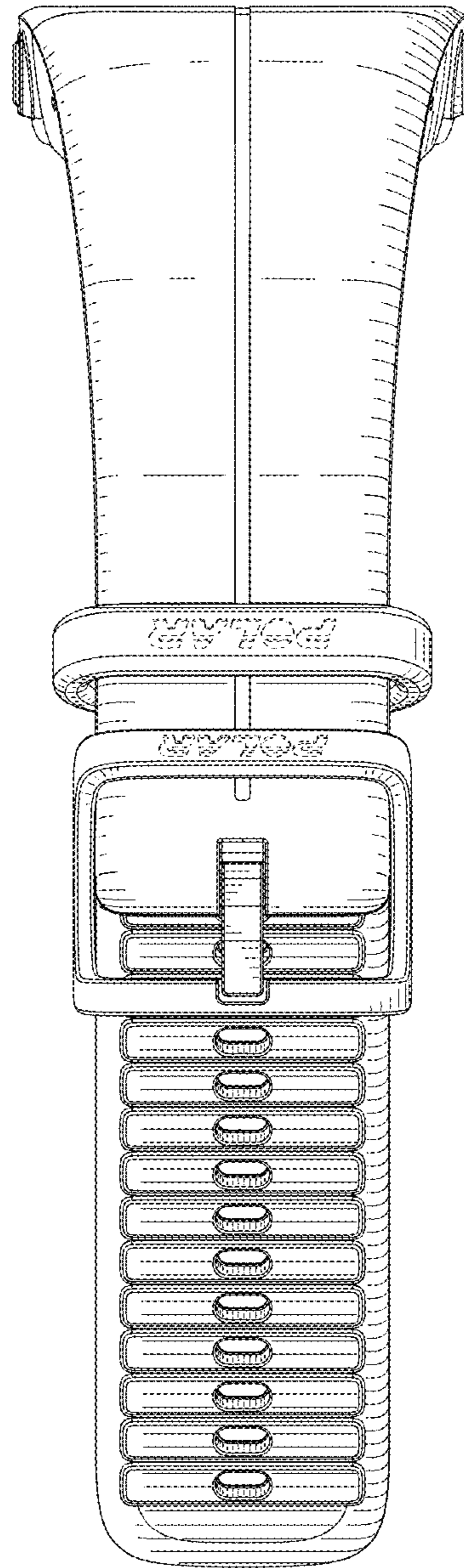


FIG. 1

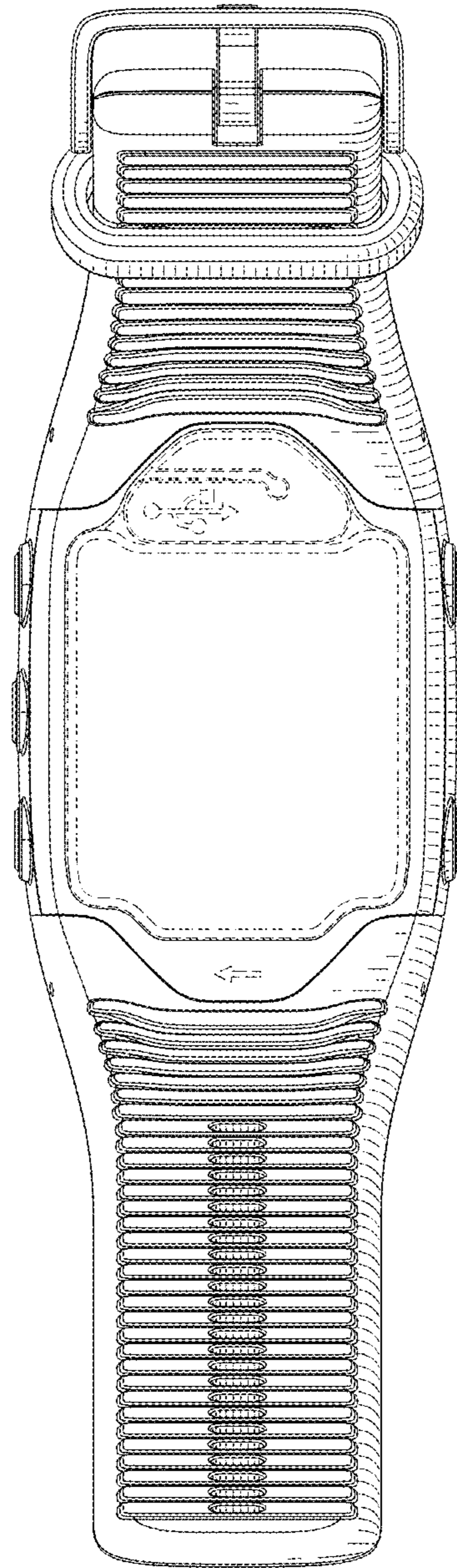


FIG. 2

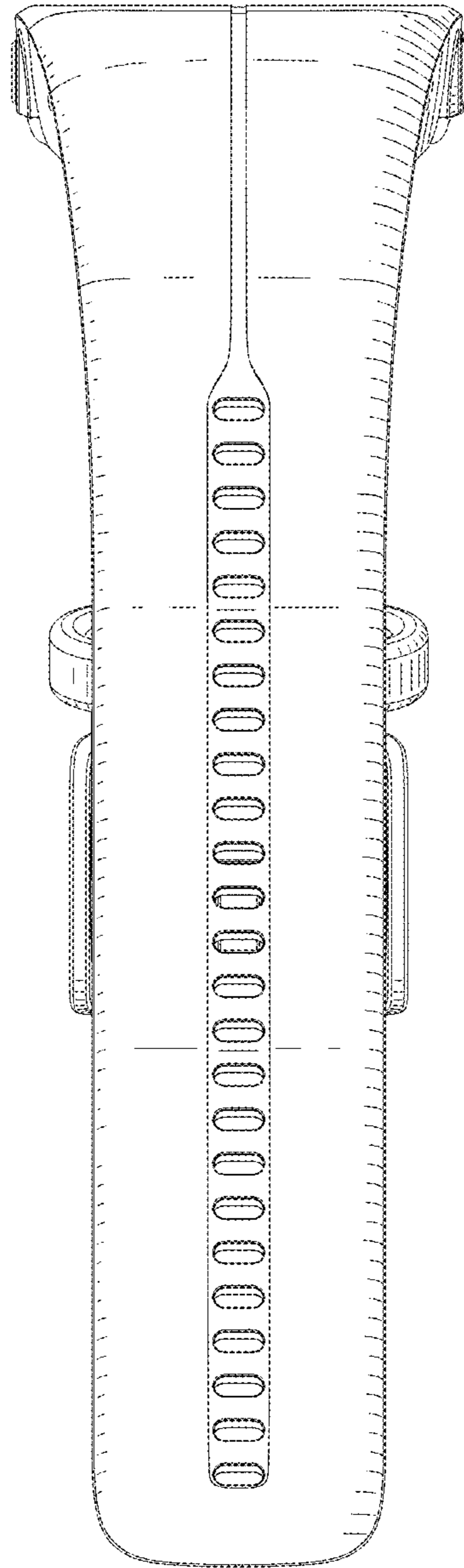


FIG. 3

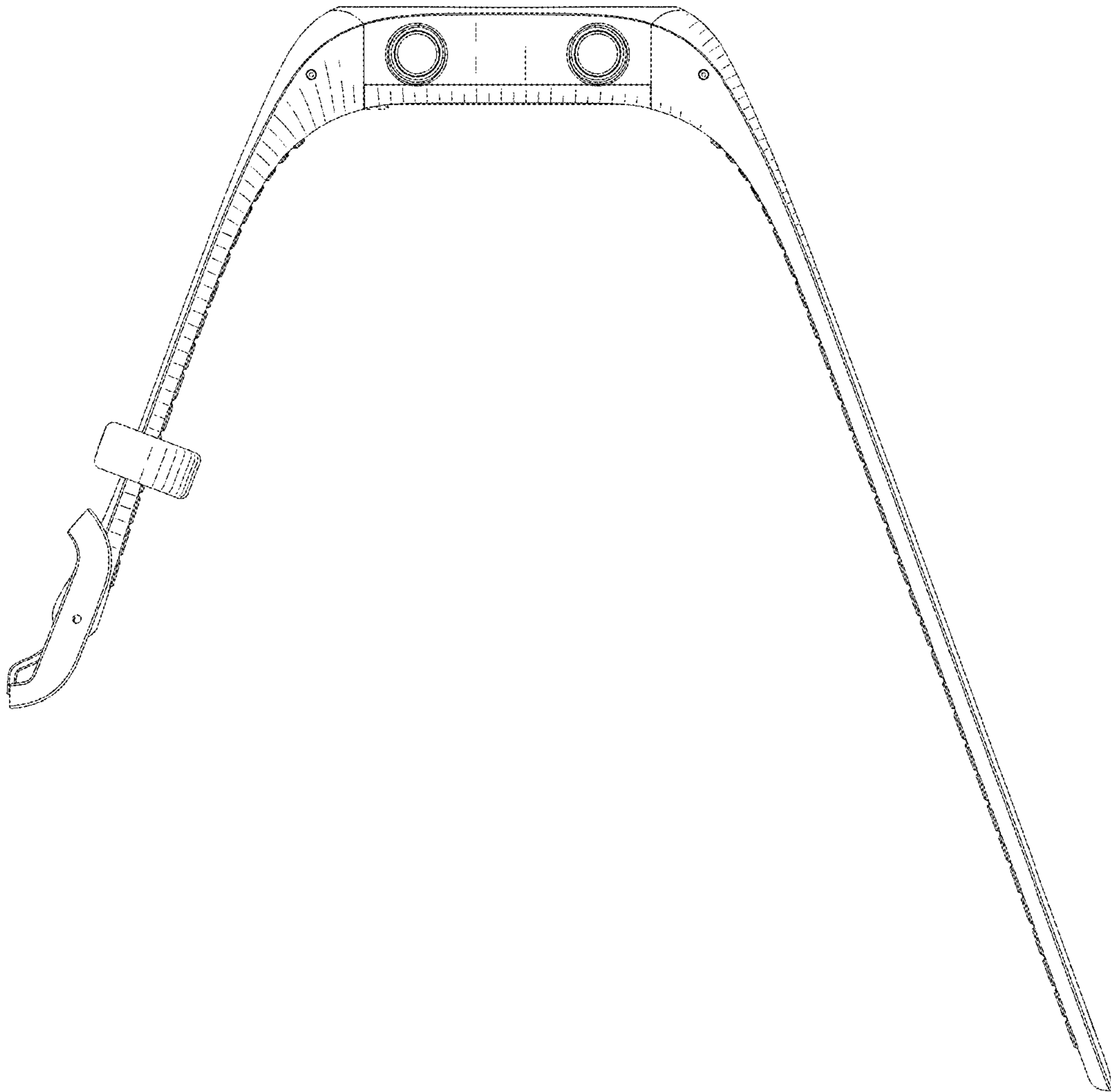


FIG. 4

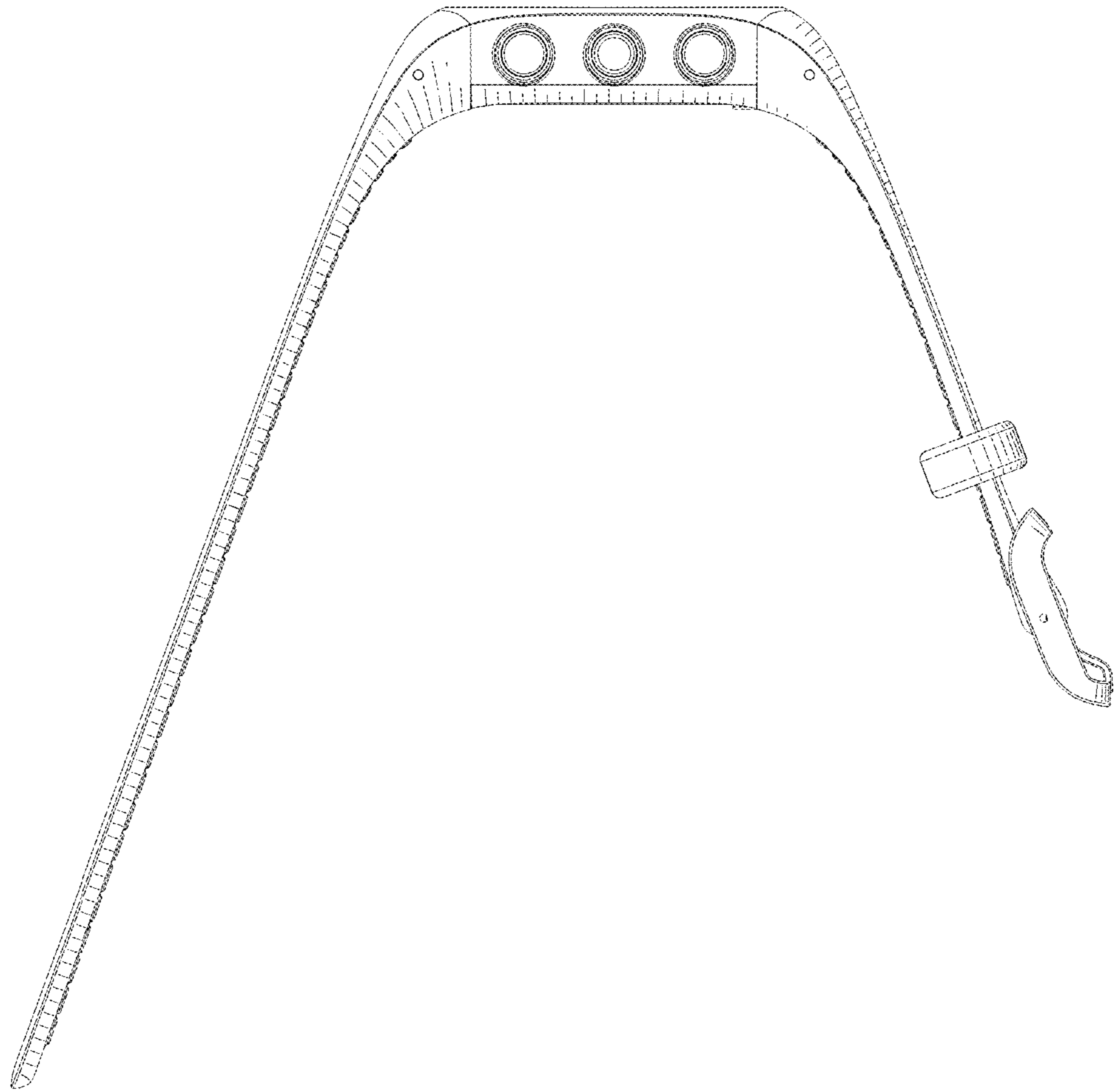


FIG. 5

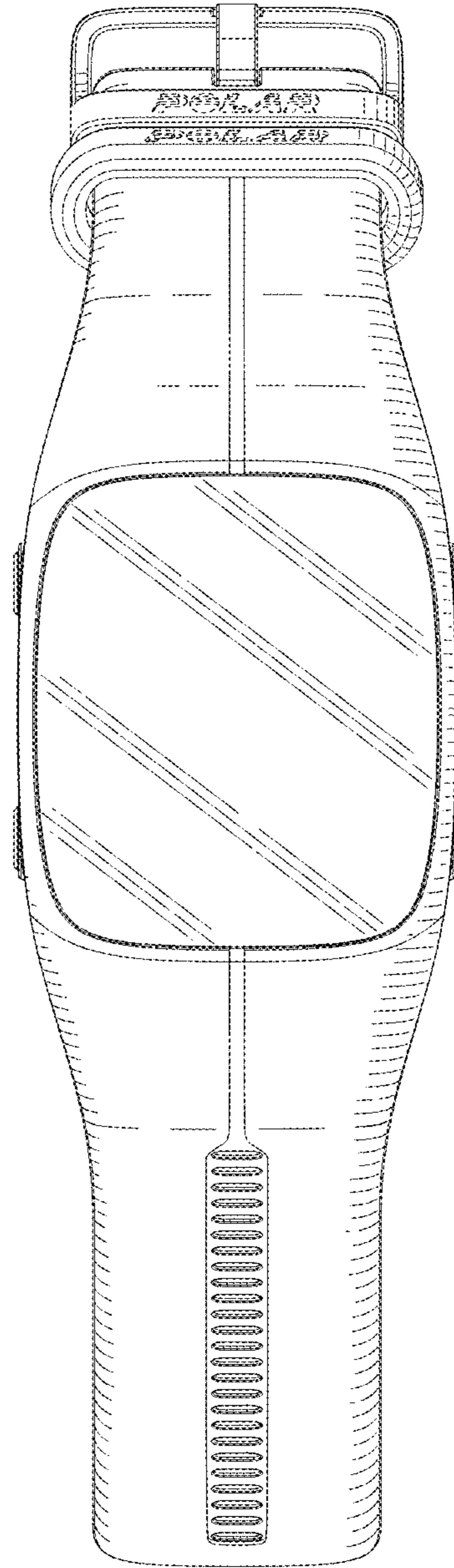


FIG. 6

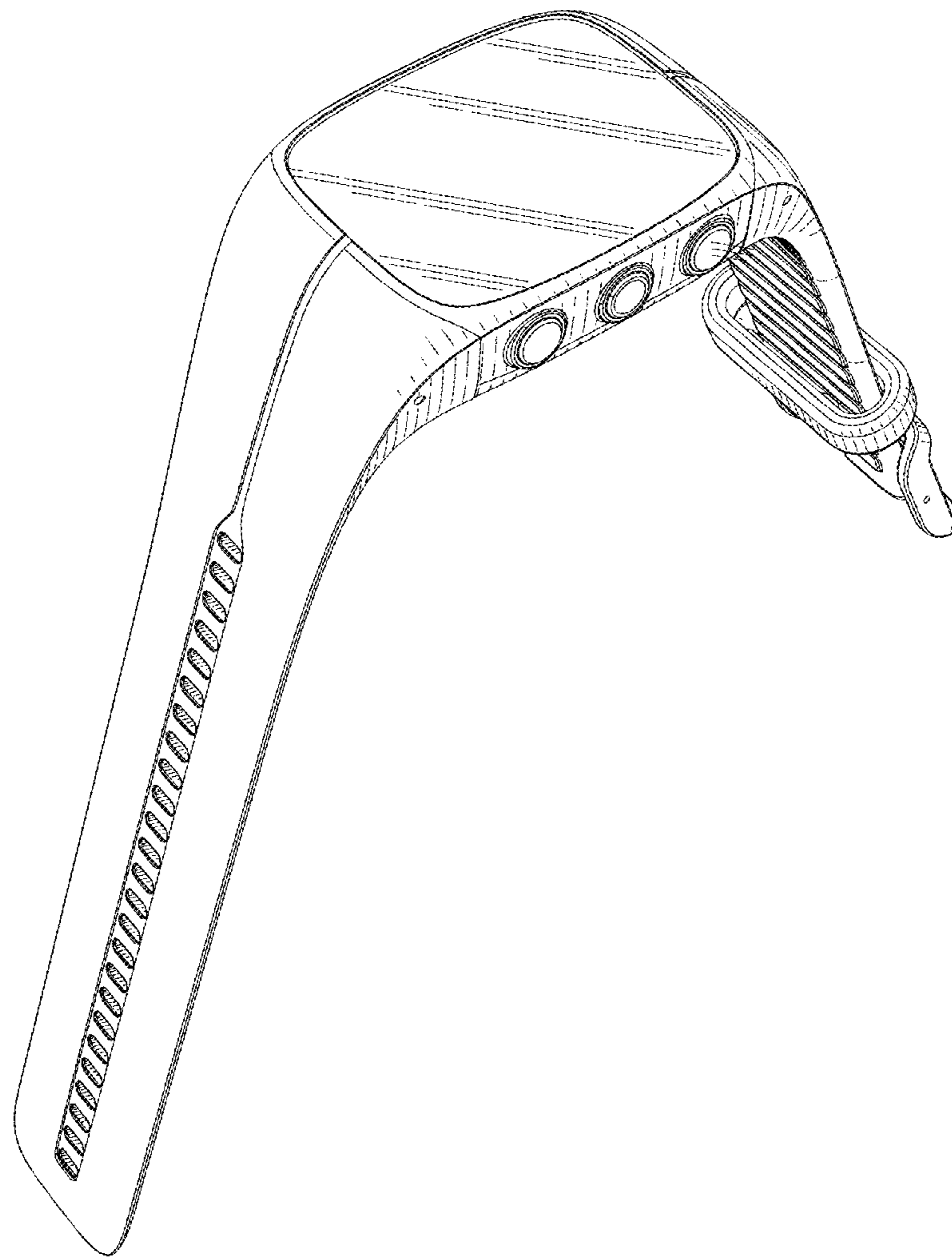


FIG. 7

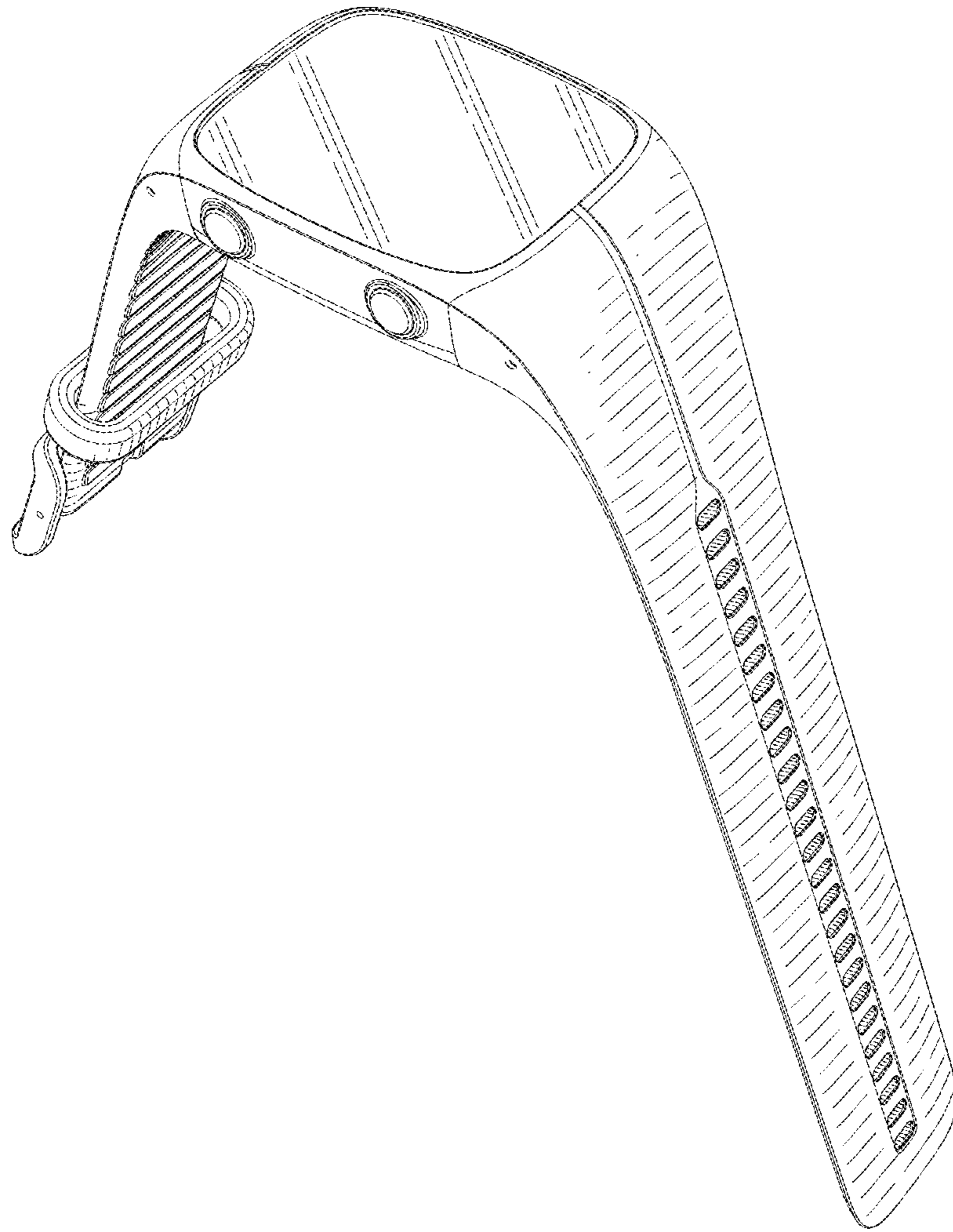


FIG. 8

UNITED STATES PATENT AND TRADEMARK OFFICE
CERTIFICATE OF CORRECTION

PATENT NO. : D768,858 S
APPLICATION NO. : 29/517277
DATED : October 11, 2016
INVENTOR(S) : Olli Komulainen

Page 1 of 1

It is certified that error appears in the above-identified patent and that said Letters Patent is hereby corrected as shown below:

On the Title Page

Item (57) In the Description:

Now reads: "of illustrativ portions"

Should read: -- of illustrating portions --

Signed and Sealed this
Eleventh Day of July, 2017



Joseph Matal
*Performing the Functions and Duties of the
Under Secretary of Commerce for Intellectual Property and
Director of the United States Patent and Trademark Office*