

US00D768857S

(12) **United States Design Patent**
Tapocik

(10) **Patent No.:** **US D768,857 S**

(45) **Date of Patent:** **** *Oct. 11, 2016**

- (54) **STRAIGHT INTERPROXIMAL DENTAL TOOL WITH SANDPAPER ON ONE SIDE AND SHARP RAZOR BLADE EDGE**
- (71) Applicant: **Kerr Corporation**, Orange, CA (US)
- (72) Inventor: **Bryan Tapocik**, Highland, CA (US)
- (73) Assignee: **Kerr Corporation**, Orange, CA (US)
- (*) Notice: This patent is subject to a terminal disclaimer.
- (**) Term: **15 Years**
- (21) Appl. No.: **29/534,940**
- (22) Filed: **Aug. 2, 2015**
- (51) **LOC (10) Cl.** **24-02**
- (52) **U.S. Cl.**
USPC **D24/152**
- (58) **Field of Classification Search**
USPC D24/152, 147, 176; D8/90; 433/142
CPC A61C 15/00; A61C 15/046; A61C 5/127;
A61C 3/03; A61C 3/06; A61C 3/12
See application file for complete search history.

(56) **References Cited**

U.S. PATENT DOCUMENTS

- 2,288,011 A * 6/1942 Mizzy A61C 3/06
433/148
- 4,483,676 A * 11/1984 Thierman A61C 15/00
433/142
- 5,476,381 A * 12/1995 Dragan A61C 3/06
30/169

- 7,455,521 B2 * 11/2008 Fishburne, Jr. A61C 3/03
132/323
- D600,810 S * 9/2009 Khouri D24/152
- D609,341 S * 2/2010 Khouri D24/152
- D638,127 S * 5/2011 Khouri D24/152
- 8,419,427 B2 * 4/2013 Effenberger A61C 15/00
433/136
- 8,506,295 B2 * 8/2013 Rek A61C 3/03
433/166
- D751,708 S * 3/2016 Tapocik D24/152
- 9,277,975 B1 * 3/2016 Tapocik A61C 15/00
- 2006/0127845 A1 * 6/2006 Khouri A61C 15/046
433/142

* cited by examiner

Primary Examiner — Wan Laymon

(74) *Attorney, Agent, or Firm* — Kristi L. Davidson

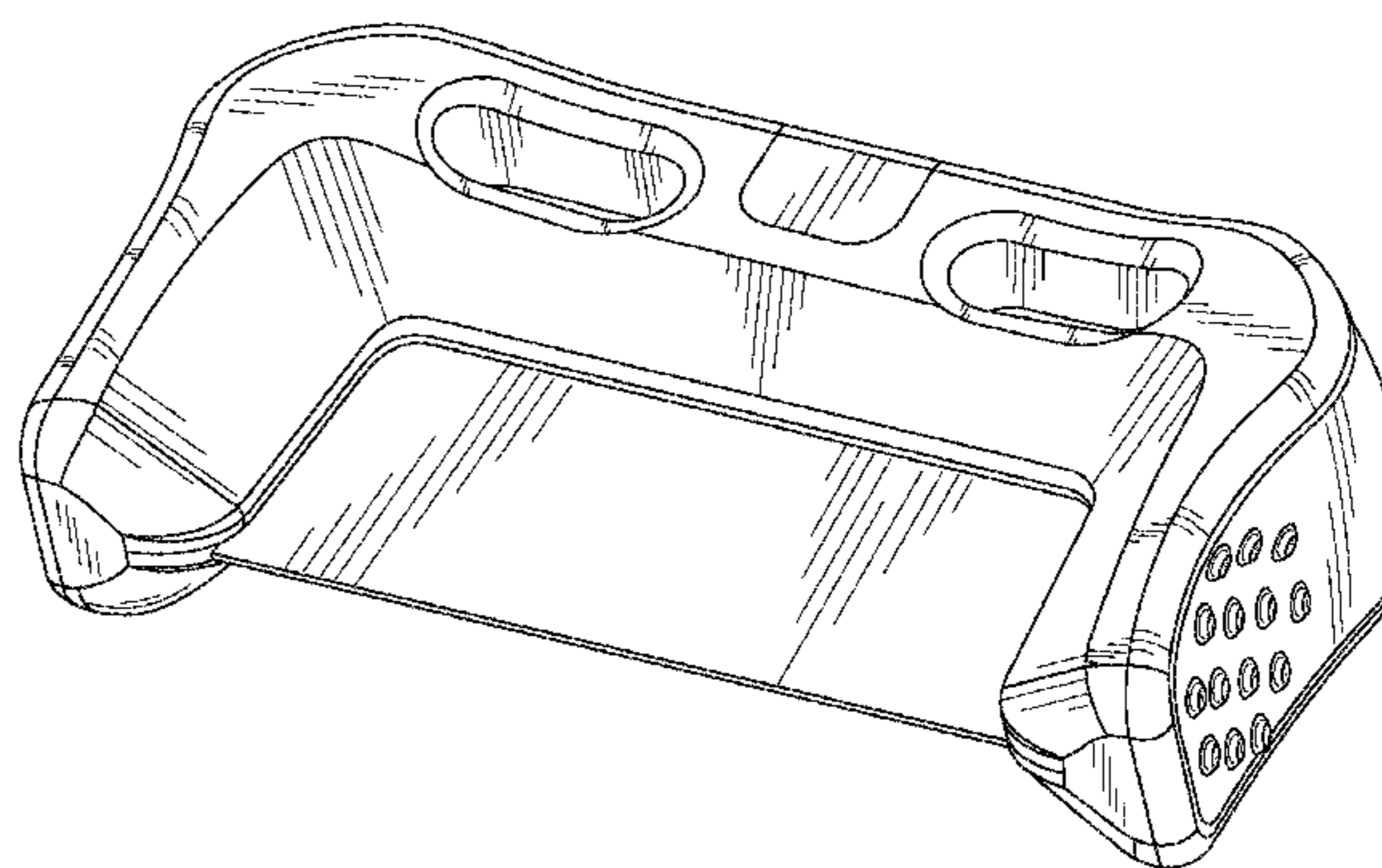
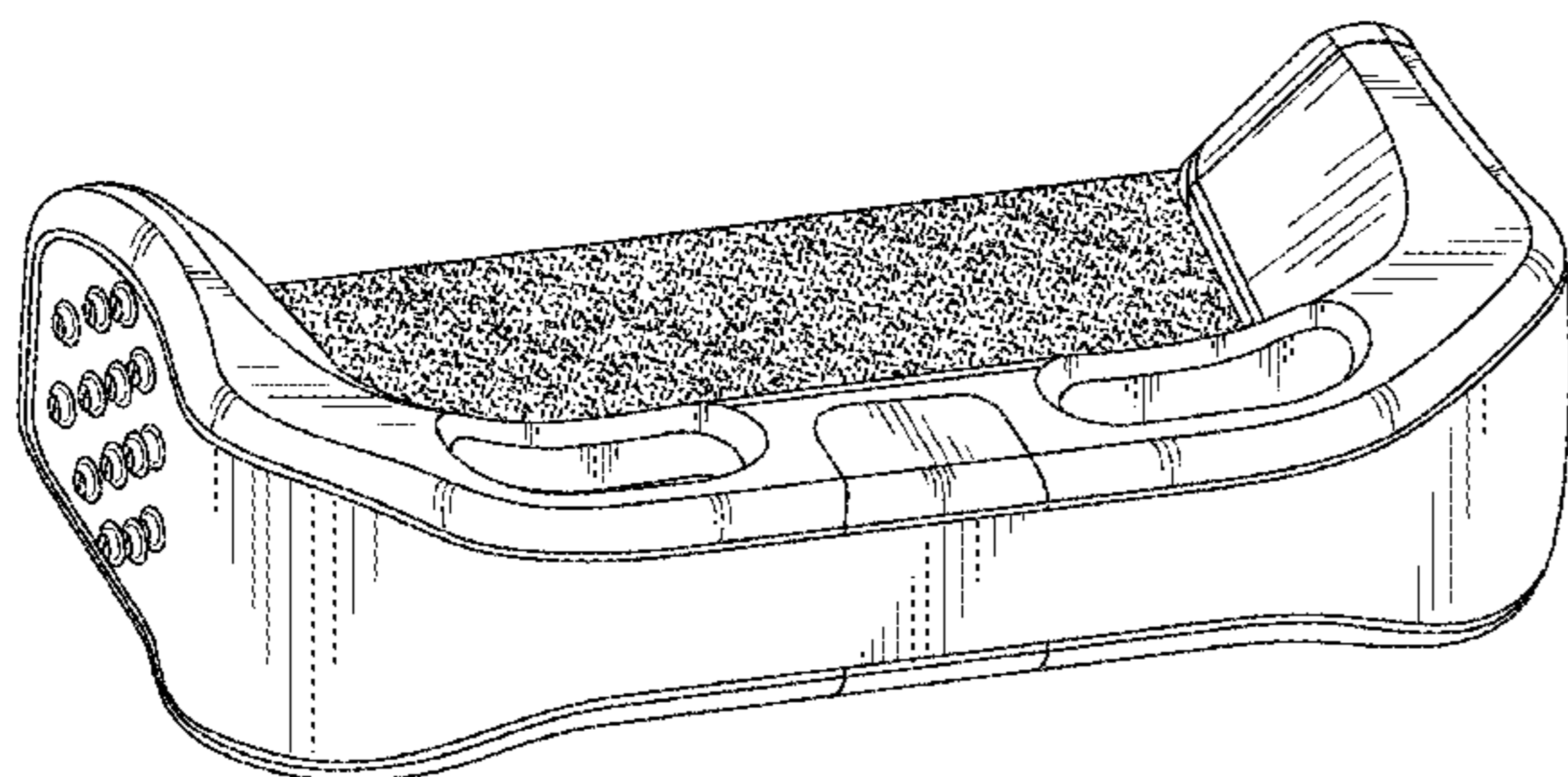
(57) **CLAIM**

The ornamental design for a straight interproximal dental tool with sandpaper on one side and sharp razor blade edge, as shown and described.

DESCRIPTION

FIG. 1 is a top, front, right side perspective view of the straight interproximal dental tool with sandpaper on one side and sharp razor blade edge, showing my new design;
 FIG. 2 is a bottom, rear, left side perspective view thereof;
 FIG. 3 is a front elevational view thereof;
 FIG. 4 is a rear elevational view thereof;
 FIG. 5 is a right side view thereof;
 FIG. 6 is a left side view thereof;
 FIG. 7 is a top view thereof; and,
 FIG. 8 is a bottom view thereof.

1 Claim, 5 Drawing Sheets



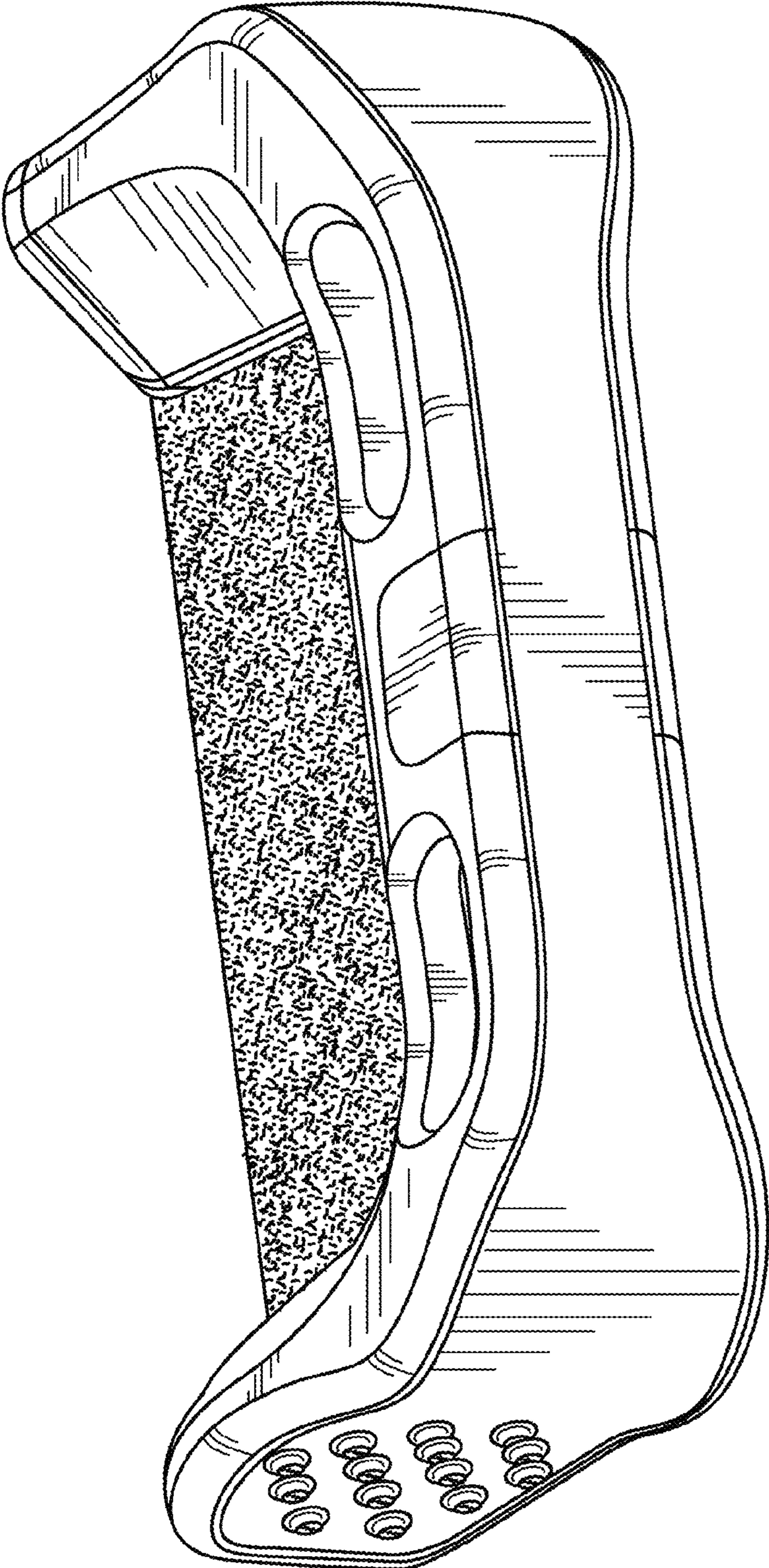


FIG. 1

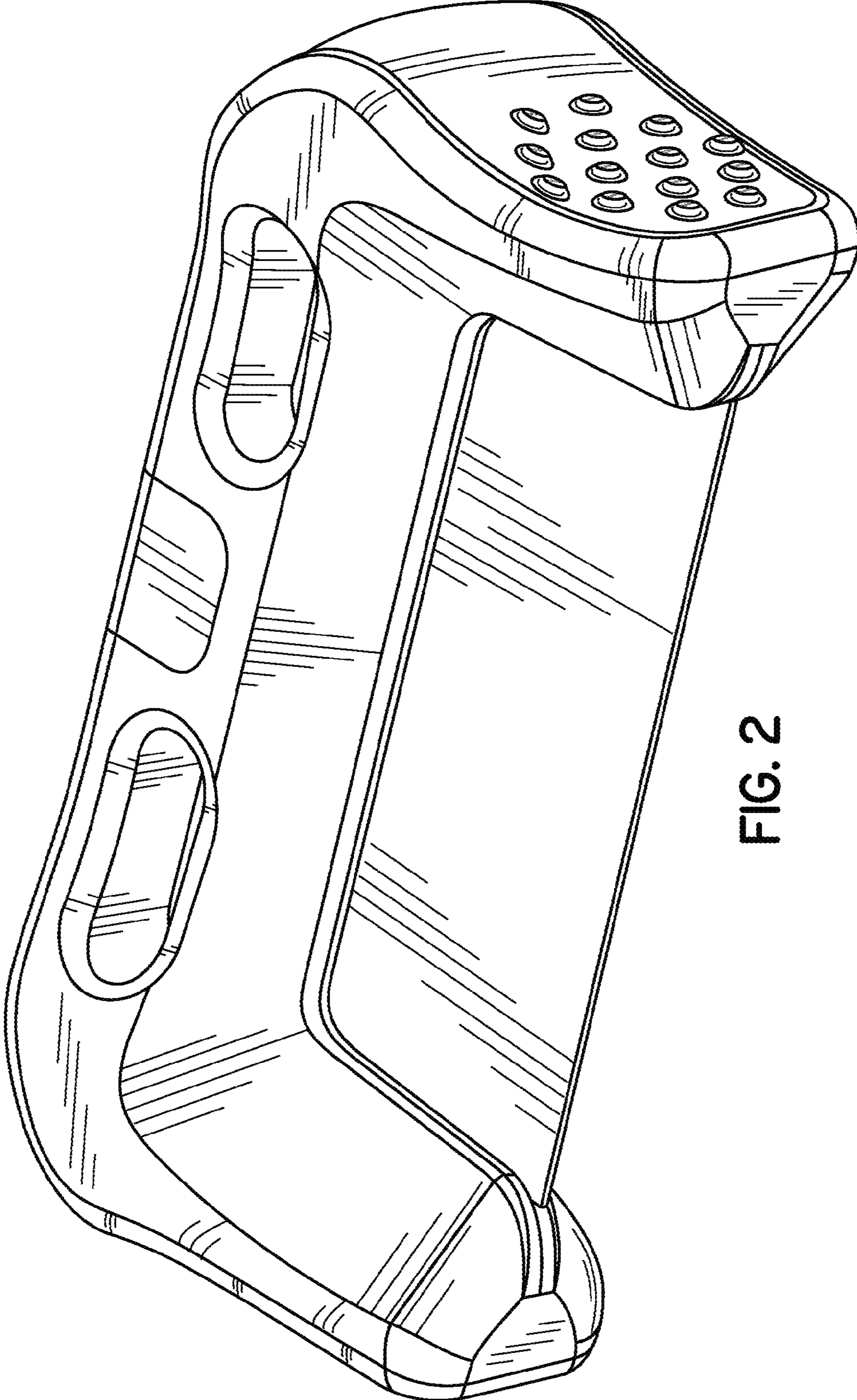


FIG. 2

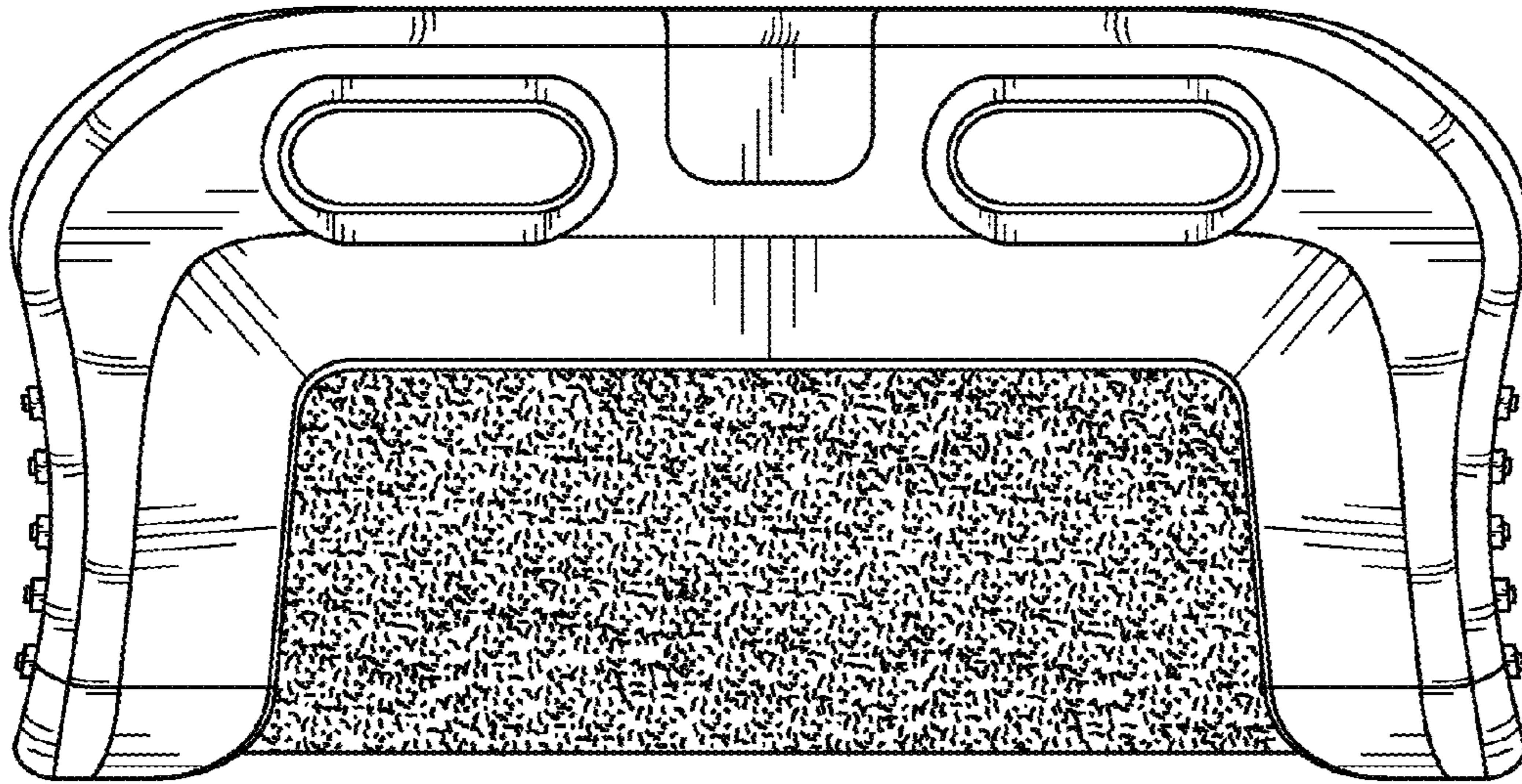


FIG. 3

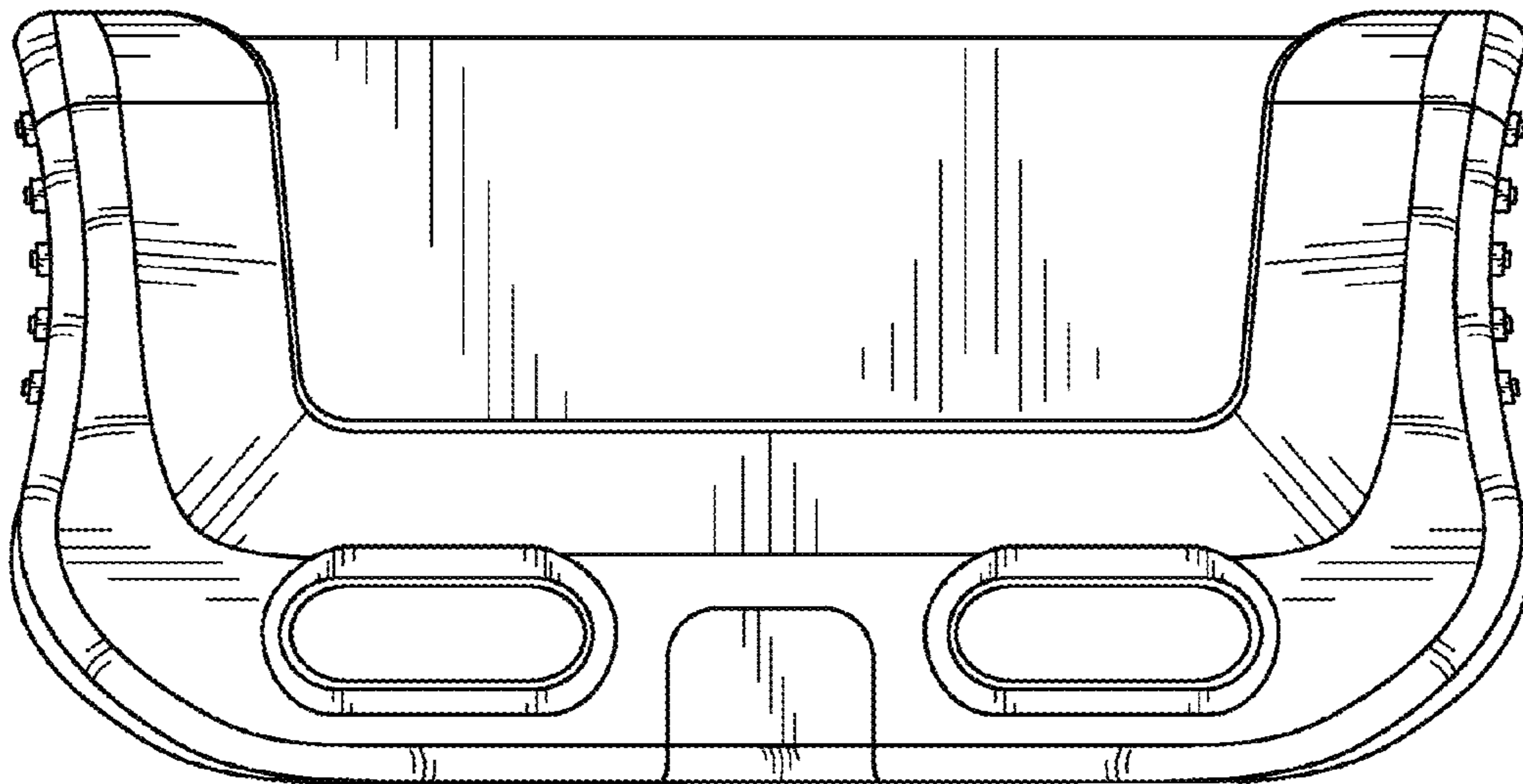


FIG. 4

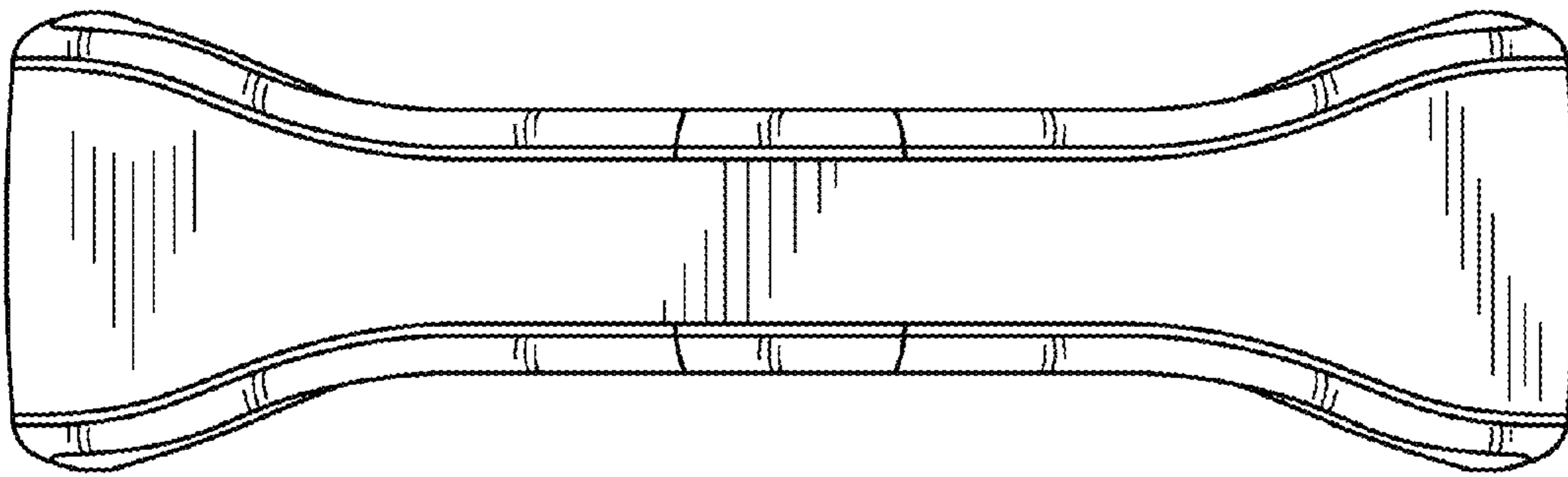


FIG. 5

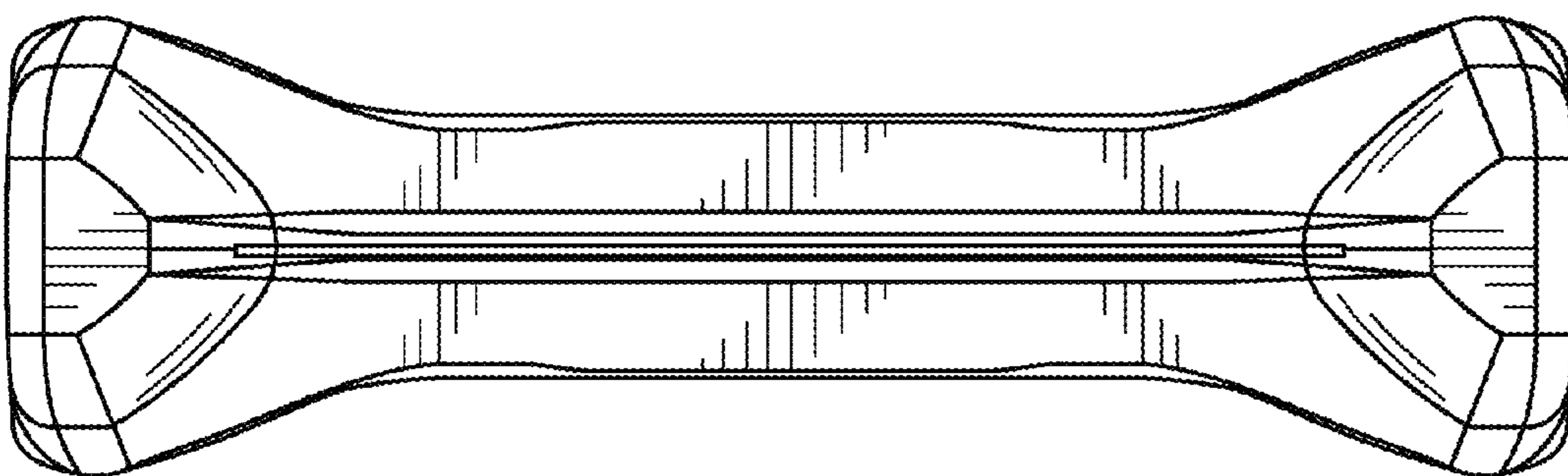


FIG. 6

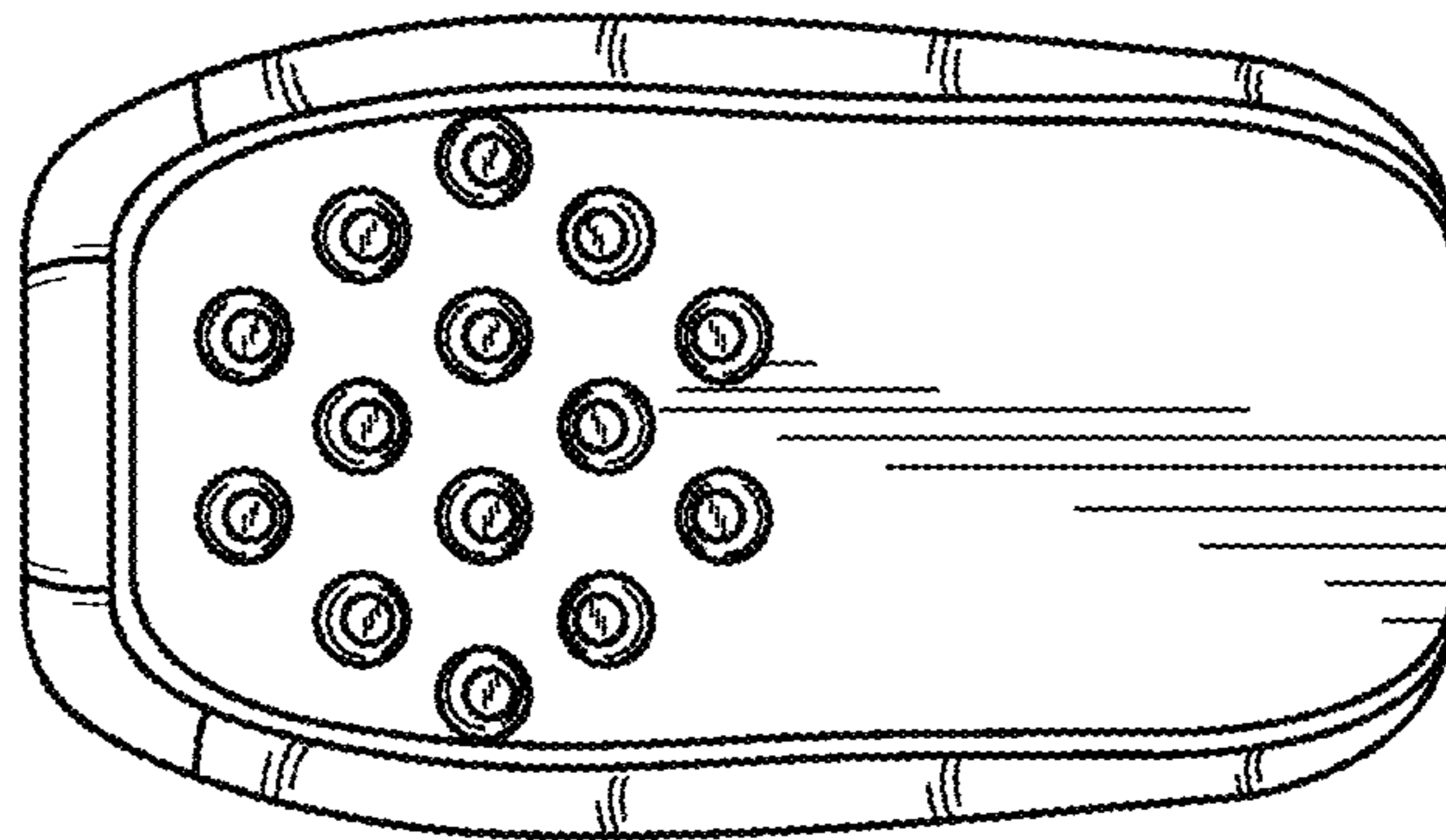


FIG. 7

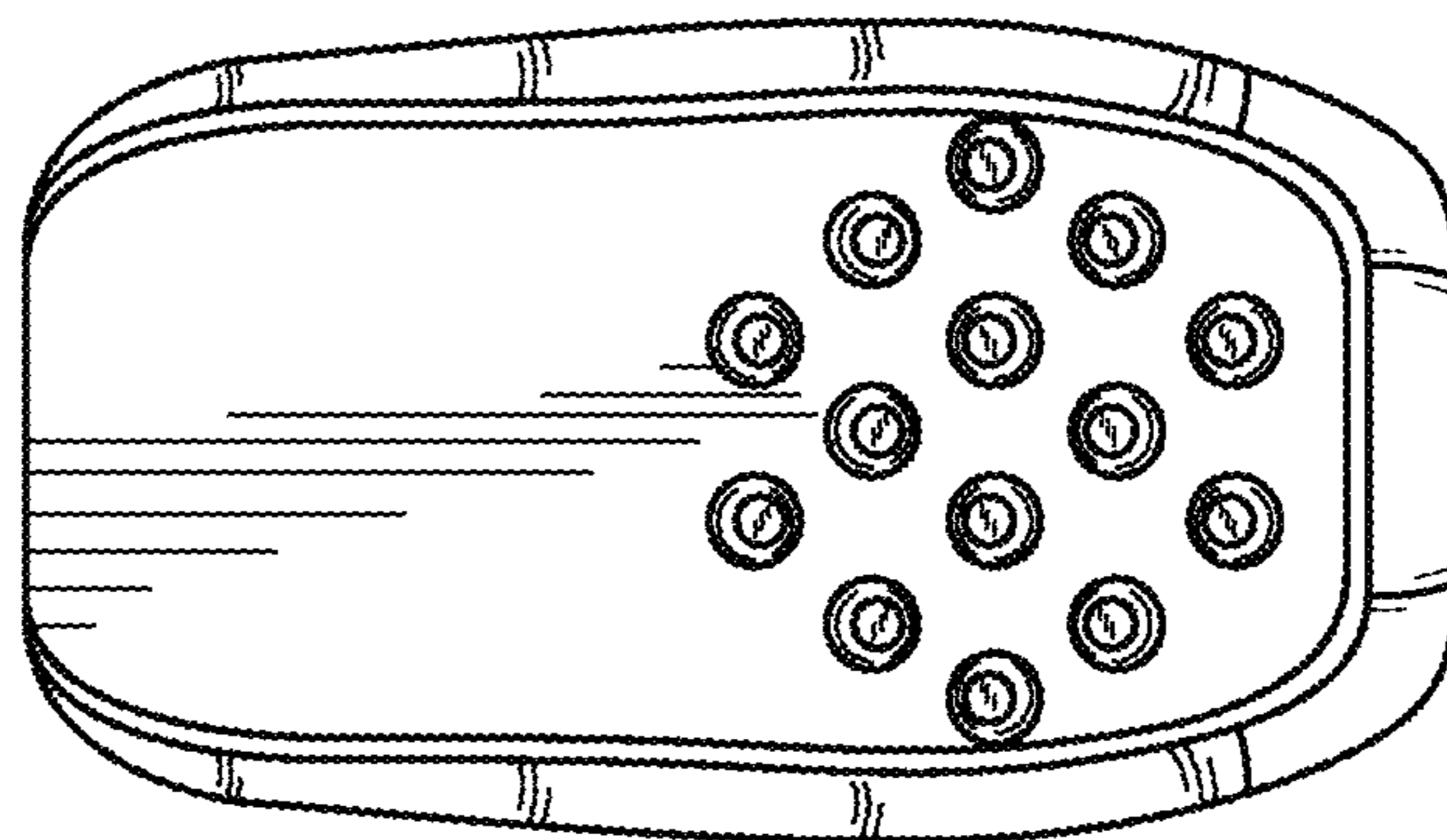


FIG. 8