



US00D768855S

(12) **United States Design Patent**
McMillan et al.

(10) **Patent No.:** **US D768,855 S**
(45) **Date of Patent:** **** Oct. 11, 2016**

- (54) **PIN PULLER**
- (71) Applicant: **Enztec Limited**, Christchurch (NZ)
- (72) Inventors: **Iain Alexander McMillan**,
Christchurch (NZ); **Simon John**
Faichen Davis, Christchurch (NZ)
- (73) Assignee: **Enztec Limited** (NZ)
- (**) Term: **15 Years**
- (21) Appl. No.: **29/540,629**
- (22) Filed: **Sep. 25, 2015**
- (51) **LOC (10) Cl.** **24-02**
- (52) **U.S. Cl.**
USPC **D24/143; D24/133**
- (58) **Field of Classification Search**
USPC D24/143, 145, 147, 133
CPC .. A61B 17/92; A61B 17/29; A61B 17/2909;
A61B 17/86
See application file for complete search history.

D642,678 S * 8/2011 Dockstader D24/133
8,382,810 B2 * 2/2013 Peterson A61B 17/862
411/2
9,333,022 B2 * 5/2016 Graves A61B 17/92
2010/0234851 A1 9/2010 Graves et al.
2015/0305793 A1* 10/2015 Lee A61B 17/92
606/104

FOREIGN PATENT DOCUMENTS

WO 2014102541 A1 7/2014

* cited by examiner

Primary Examiner — Wan Laymon

(74) *Attorney, Agent, or Firm* — Richards Patent Law
P.C.

(57) **CLAIM**

The ornamental design for a pin puller, as shown and described.

DESCRIPTION

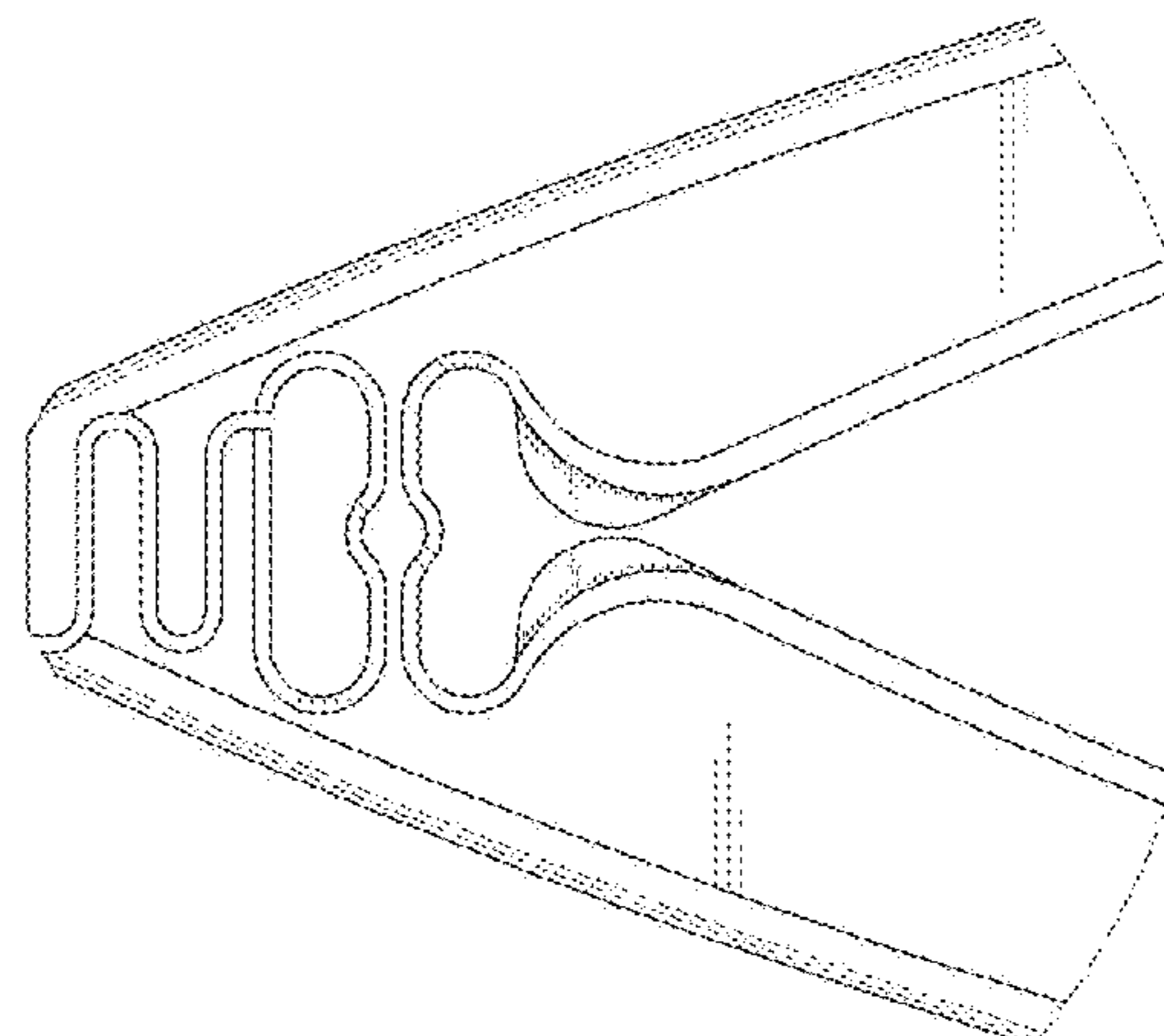
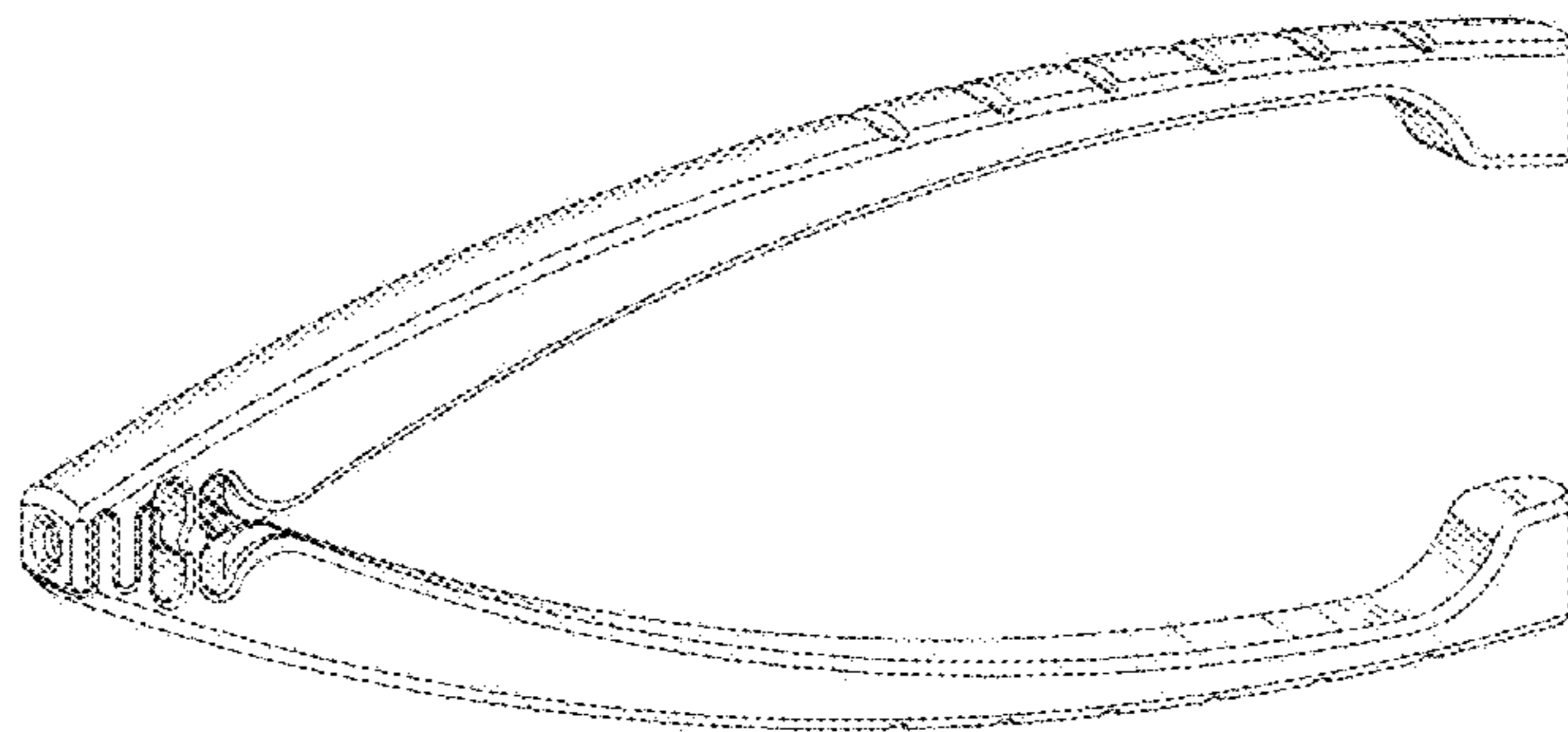
FIG. 1 is a perspective view of a pin puller.
 FIG. 2 is a front elevation view thereof;
 FIG. 3 is a top plan view thereof, which is a mirror image of the bottom elevation view;
 FIG. 4 is an enlarged view of a portion of the top plan view of FIG. 3;
 FIG. 5 is a right side elevation view of the pin puller, which is a mirror image of the left side elevation view thereof; and,
 FIG. 6 is a rear elevation view thereof.

1 Claim, 6 Drawing Sheets

(56) **References Cited**

U.S. PATENT DOCUMENTS

6,015,413 A * 1/2000 Faccioli A61B 17/92
606/104
6,066,143 A * 5/2000 Lane A61B 17/92
606/104
7,189,243 B1 3/2007 Seelig et al.



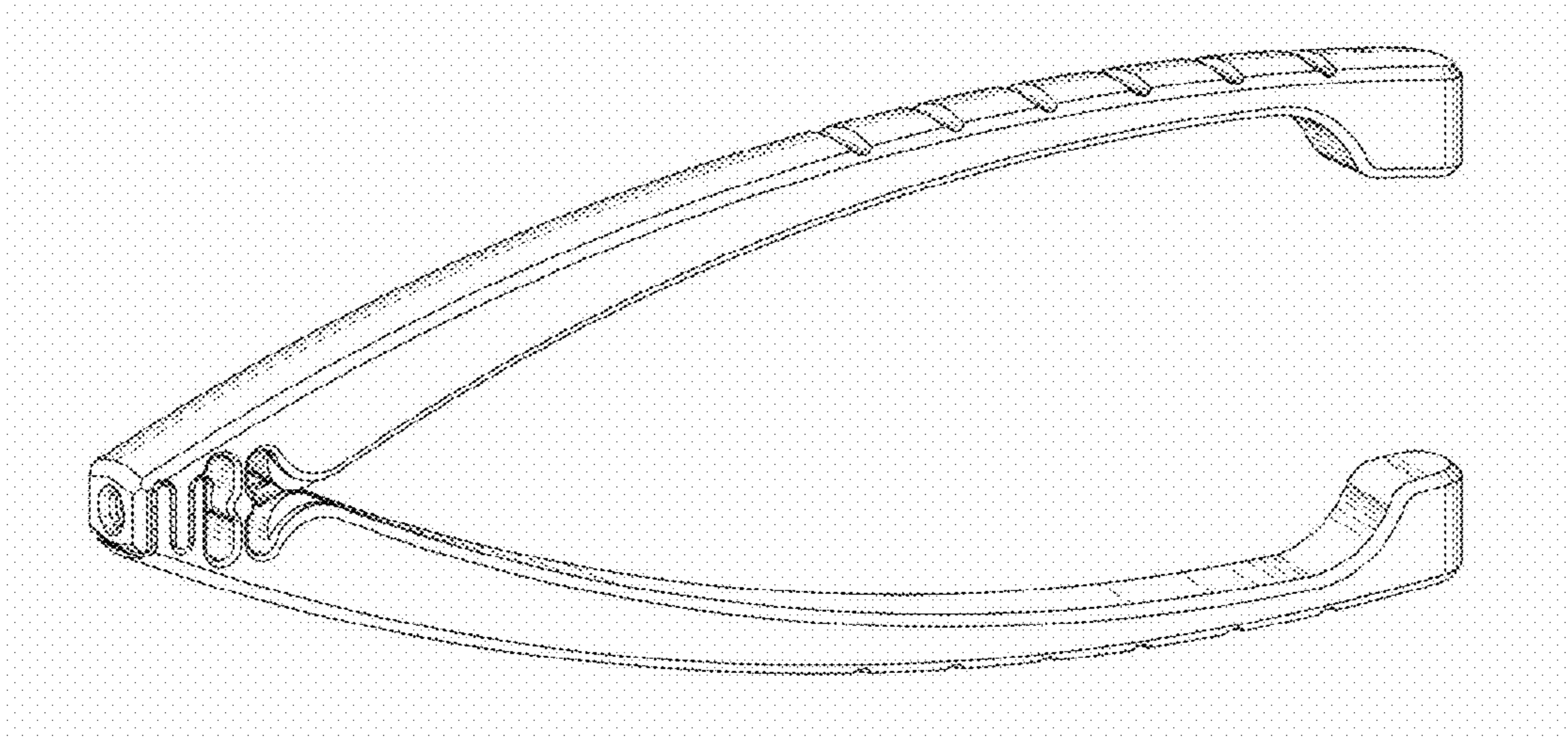


Fig. 1

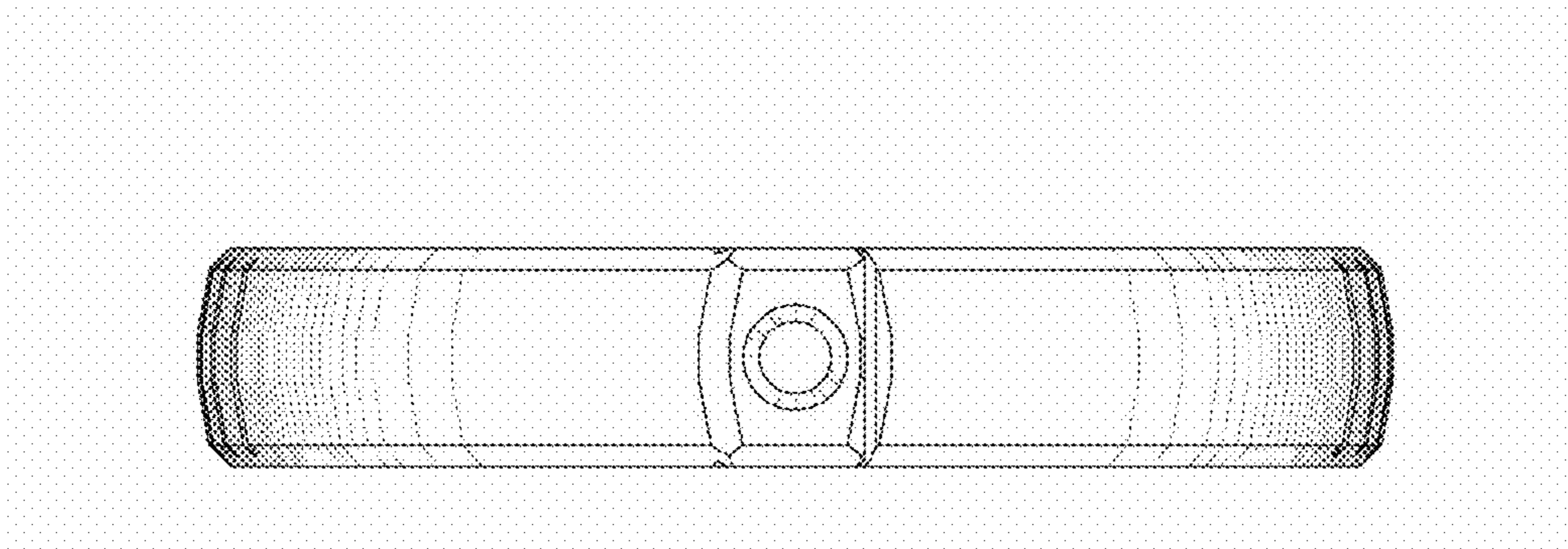


Fig. 2

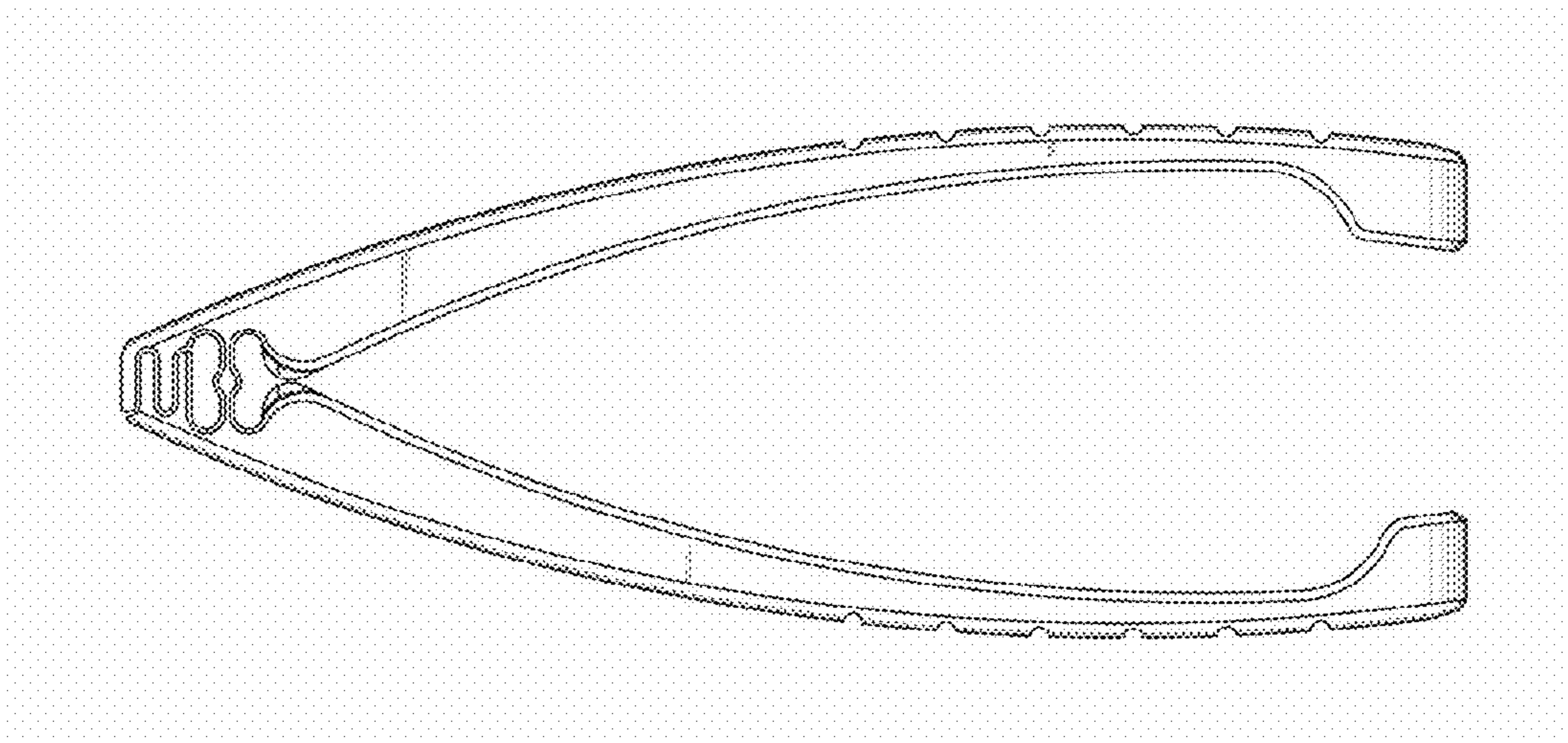


Fig. 3

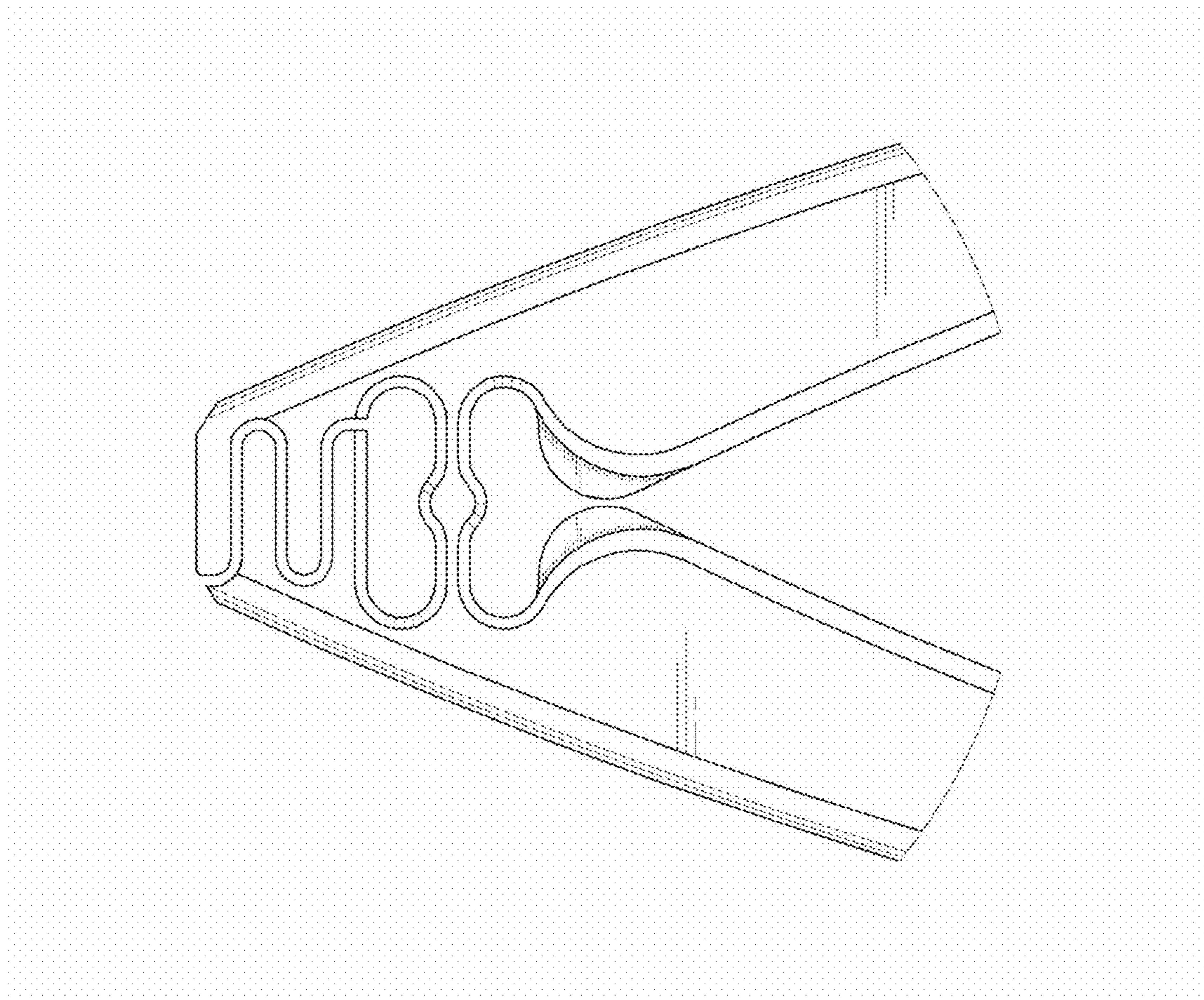


Fig. 4

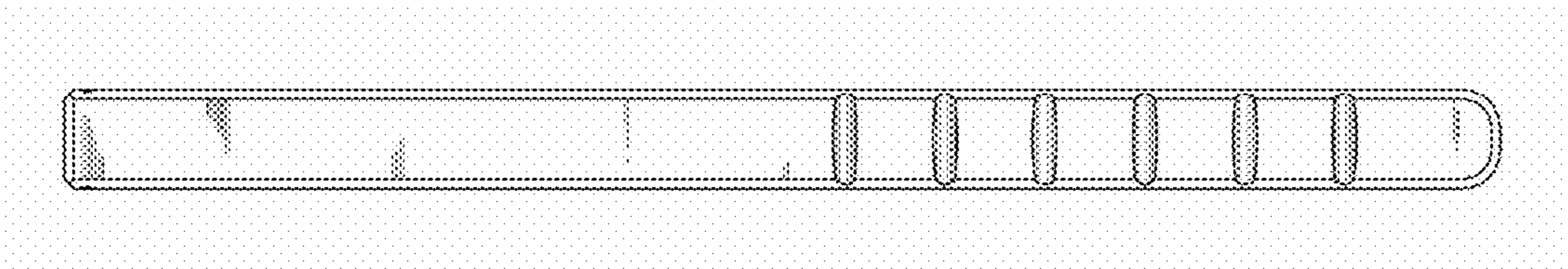


Fig. 5

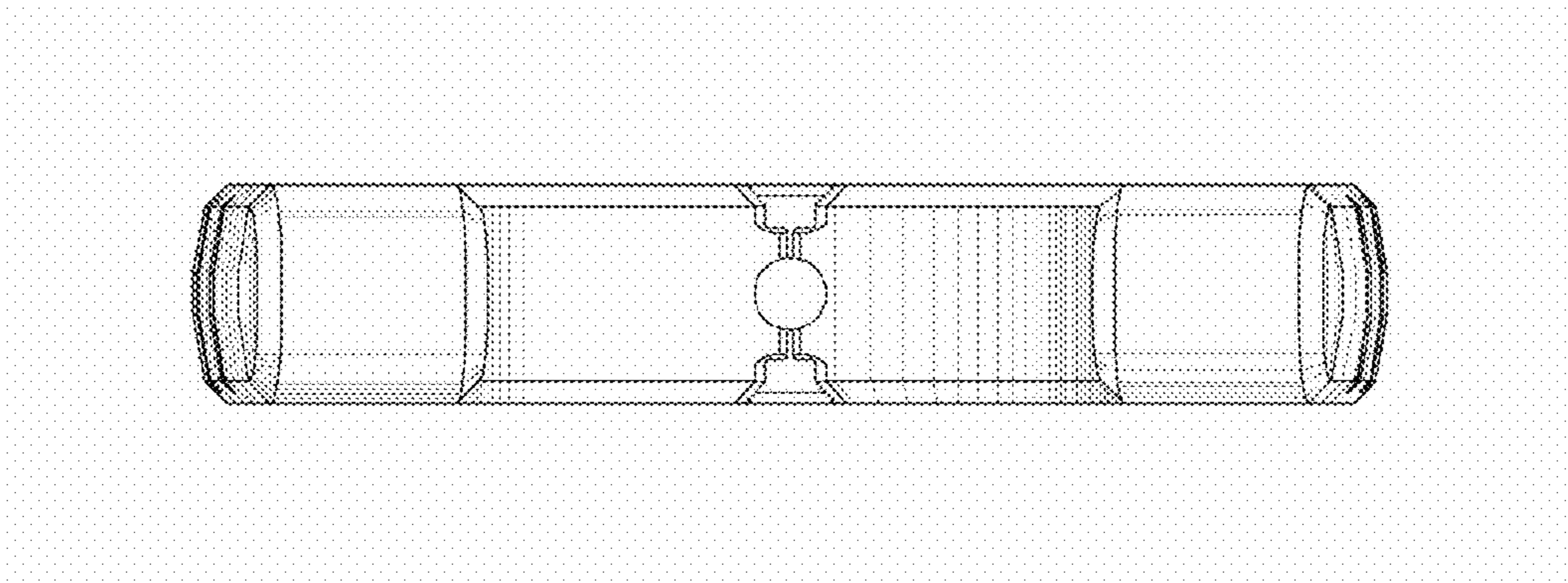


Fig. 6