



US00D768851S

(12) **United States Design Patent** (10) **Patent No.:** **US D768,851 S**
Rozwadowski et al. (45) **Date of Patent:** **** Oct. 11, 2016**

(54) **SAFETY NEEDLE DEVICE**
 (71) Applicant: **HTL-STREFA SPOLKA AKCYJNA**,
 Ozorków (PL)
 (72) Inventors: **Marcin Rozwadowski**, Warszawa (PL);
Vincent Leskovich, Dodecanes (GR)
 (73) Assignee: **HTL-STREFA SPOLKA AKCYJNA**,
 Ozorkow (PL)
 (**) Term: **14 Years**
 (21) Appl. No.: **29/496,336**
 (22) Filed: **Jul. 11, 2014**

5,944,700 A 8/1999 Nguyen et al.
 D422,700 S 4/2000 Crawford et al.
 6,213,977 B1 4/2001 Hjertman et al.
 D445,183 S 7/2001 McWethy et al.
 D449,687 S 10/2001 Hommann et al.
 D450,834 S 11/2001 Newby et al.
 D450,835 S 11/2001 Liu et al.
 D452,003 S 12/2001 Niermann
 D454,196 S 3/2002 Malilay
 D469,179 S 1/2003 Nakagami et al.
 6,629,959 B2 10/2003 Kuracina et al.
 D484,242 S 12/2003 Wilkinson
 D484,976 S 1/2004 Wilkinson
 D492,404 S 6/2004 Prais et al.
 D507,833 S 7/2005 Coss
 6,986,760 B2 1/2006 Giambattista et al.
 7,101,351 B2 9/2006 Crawford et al.

(Continued)

(30) **Foreign Application Priority Data**

Jun. 30, 2014 (EM) 002493460001
 (51) **LOC (10) Cl.** **24-02**
 (52) **U.S. Cl.**
 USPC **D24/130**
 (58) **Field of Classification Search**
 USPC D24/127-131, 112-114, 133, 186;
 606/181, 185; 604/264, 523-528, 272,
 604/187, 158, 164.01-164.11, 181, 184,
 604/227; 600/101, 139, 143; 128/200.24,
 128/207.14, 207.15
 CPC A61M 25/065; A61M 5/42; A61M
 25/0612; A61M 25/00; A61M 39/00; A61M
 27/00; A61M 25/0043; A61M 25/0067;
 A61M 25/0097; A61F 2/958
 See application file for complete search history.

(56) **References Cited**

U.S. PATENT DOCUMENTS

2,664,086 A 12/1953 Transue
 5,015,235 A 5/1991 Crossman
 5,092,851 A 3/1992 Ragner

FOREIGN PATENT DOCUMENTS

DE 38 84 640 T2 1/1994
 DE 10 2006 022 081 B3 1/2008

(Continued)

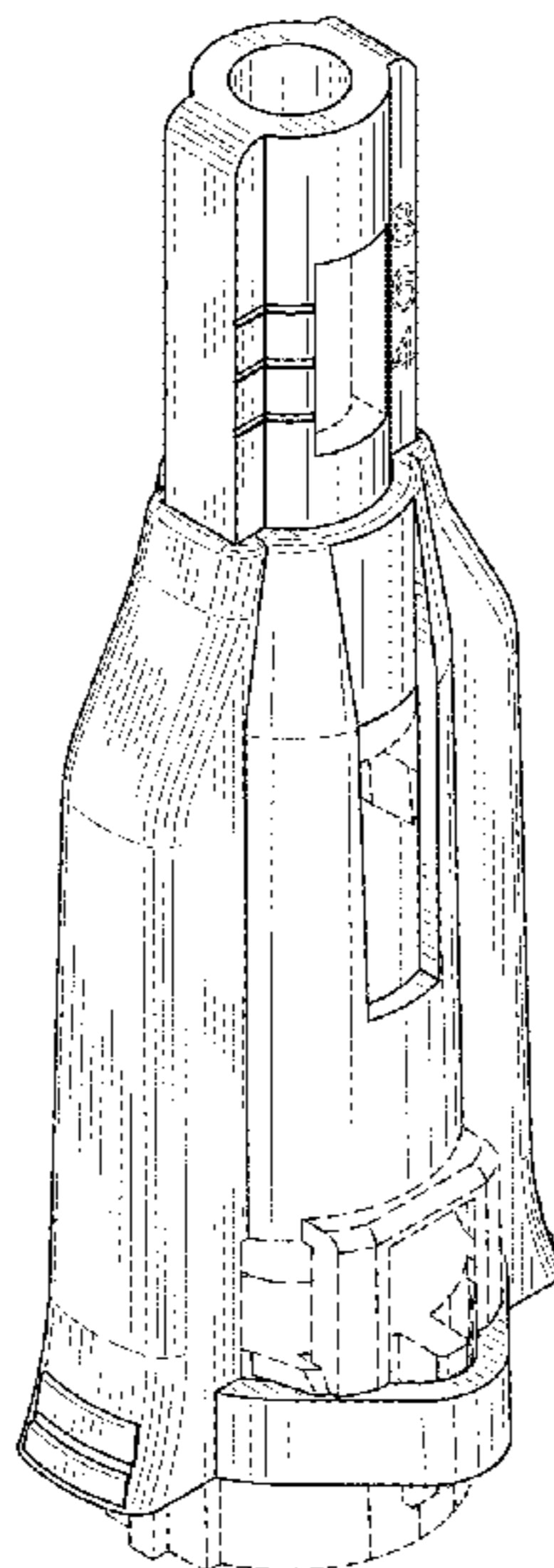
Primary Examiner — David Muller
 (74) *Attorney, Agent, or Firm* — Wentsler LLC

(57) **CLAIM**
 The ornamental design for a safety needle device, as shown
 and described.

DESCRIPTION

FIG. 1 is a front elevation view of the safety needle device,
 showing our new design;
 FIG. 2 is a bottom plan view thereof;
 FIG. 3 is a top plan view thereof;
 FIG. 4 is a right side elevation view thereof; and,
 FIG. 5 is a top, front and left perspective view thereof.
 The broken lines shown in the drawings are for the purpose
 of use and/or environment and forms no part of the claimed
 design.

1 Claim, 5 Drawing Sheets



(56)

References Cited

U.S. PATENT DOCUMENTS

7,314,464 B2 1/2008 Giambattista et al.
 D565,732 S 4/2008 Pech et al.
 7,384,414 B1 6/2008 Marshall et al.
 7,462,169 B2 12/2008 Follman et al.
 D601,695 S 10/2009 Crawford et al.
 D604,836 S 11/2009 Crawford et al.
 D604,837 S 11/2009 Crawford et al.
 D604,838 S 11/2009 Crawford et al.
 D604,839 S 11/2009 Crawford et al.
 D604,840 S 11/2009 Crawford et al.
 D604,841 S 11/2009 Crawford et al.
 D605,287 S 12/2009 Crawford et al.
 D625,805 S * 10/2010 Hereford D24/108
 7,815,611 B2 10/2010 Giambattista et al.
 D627,060 S 11/2010 Crawford et al.
 D636,077 S * 4/2011 Dale D24/129
 D637,713 S * 5/2011 Nord D24/129
 D639,939 S * 6/2011 Klockars D24/129
 D641,078 S 7/2011 Morgan et al.
 D642,261 S * 7/2011 York D24/130
 D649,242 S * 11/2011 Kosinski D24/129
 8,062,265 B2 11/2011 Millerd
 D650,075 S * 12/2011 Anglay D24/130
 D660,419 S 5/2012 Morgan et al.
 D666,711 S 9/2012 Baid
 D672,460 S * 12/2012 Baid D24/130

D679,008 S * 3/2013 Schroeder D24/129
 D690,418 S * 9/2013 Rosenquist D24/129
 D693,003 S 11/2013 Wang
 D718,439 S * 11/2014 Woehr D24/130
 D720,069 S * 12/2014 Kaercher D24/133
 D732,660 S * 6/2015 Ohashi D24/112
 2006/0229562 A1 10/2006 Marsh et al.
 2011/0118667 A1 5/2011 Zaiken et al.
 2011/0160675 A1 6/2011 Ruan et al.
 2011/0178473 A1 7/2011 Richards et al.
 2011/0257603 A1 10/2011 Ruan et al.
 2011/0295204 A1 12/2011 Bang
 2012/0041368 A1 2/2012 Karlsson
 2012/0150125 A1 6/2012 Karlsson et al.

FOREIGN PATENT DOCUMENTS

EP 0 749 758 B1 8/2002
 EP 1 949 929 A1 7/2008
 EP 2 090 326 A1 8/2009
 EP 2 090 326 B1 9/2013
 WO 01/91837 A1 12/2001
 WO 03/041770 A2 5/2003
 WO 2005/009520 A1 2/2005
 WO 2006/123251 A2 11/2006
 WO 2009/102612 A1 8/2009
 WO 2013/121307 A1 8/2013

* cited by examiner

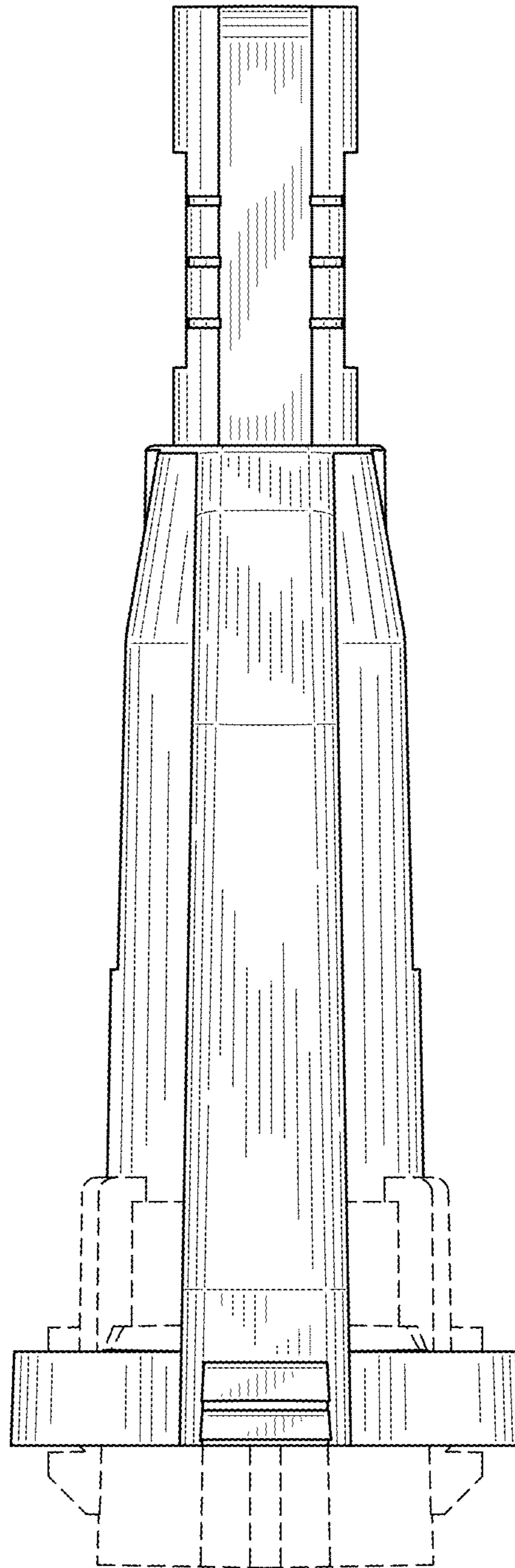


FIG. 1

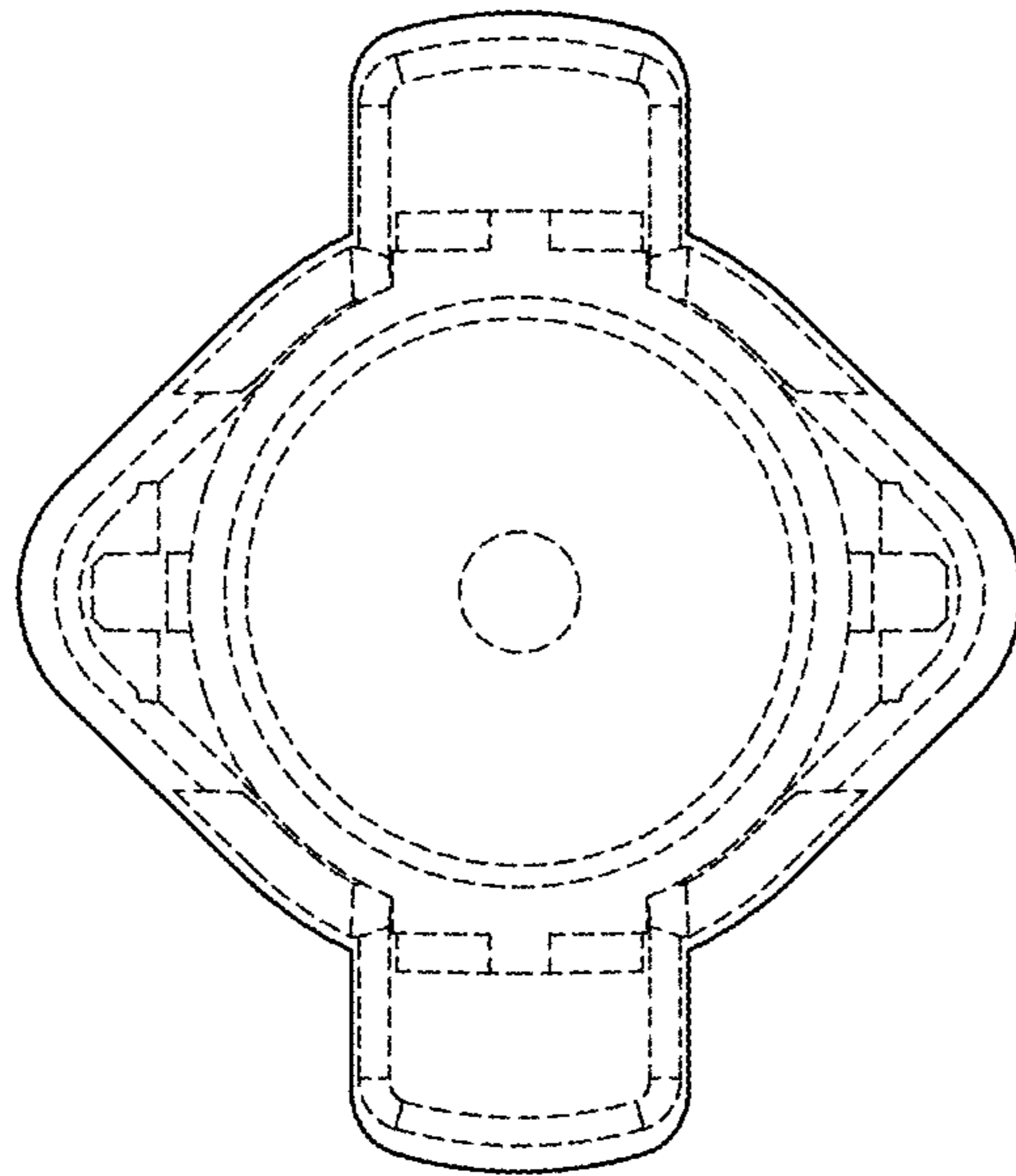


FIG. 2

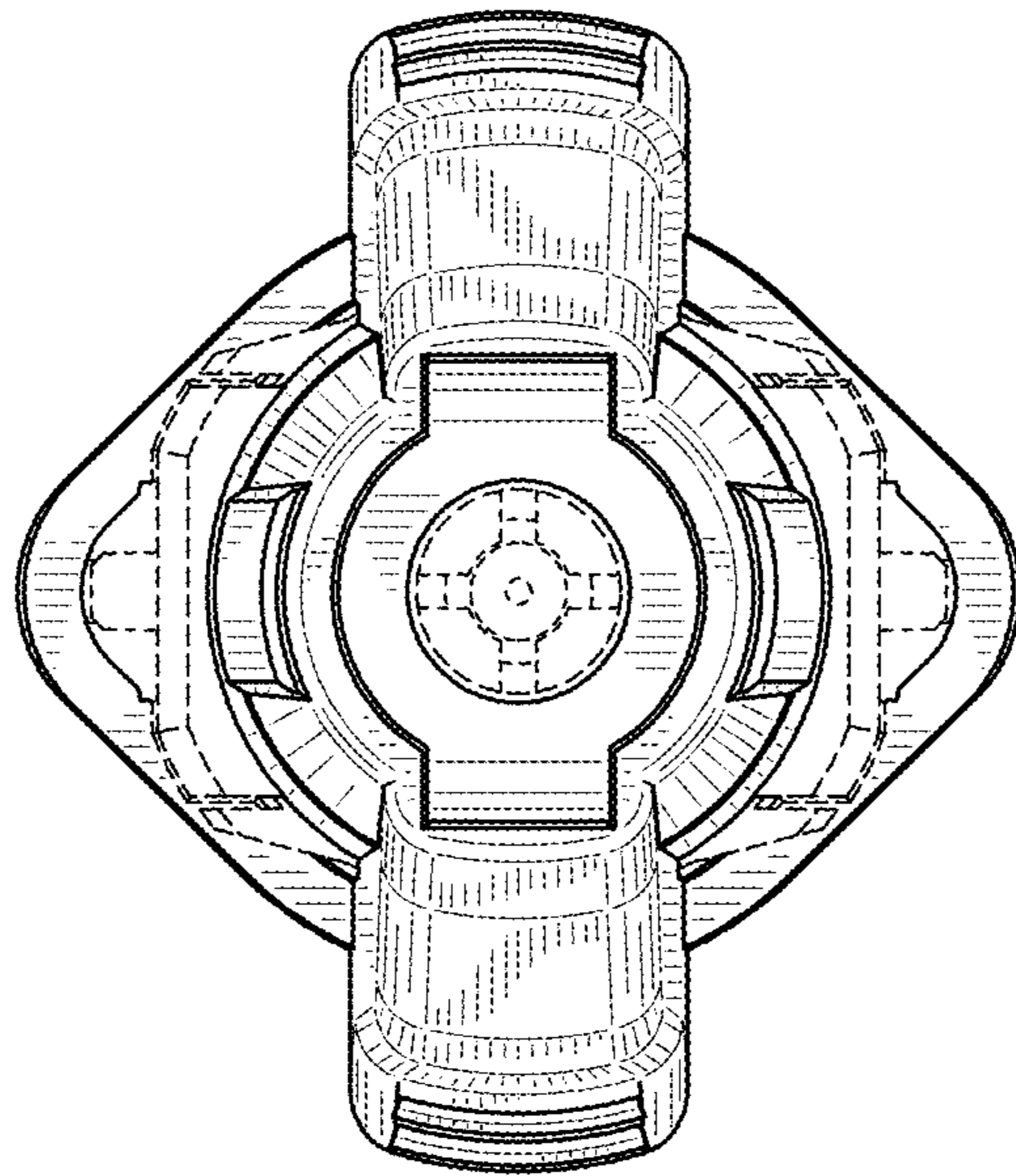


FIG. 3

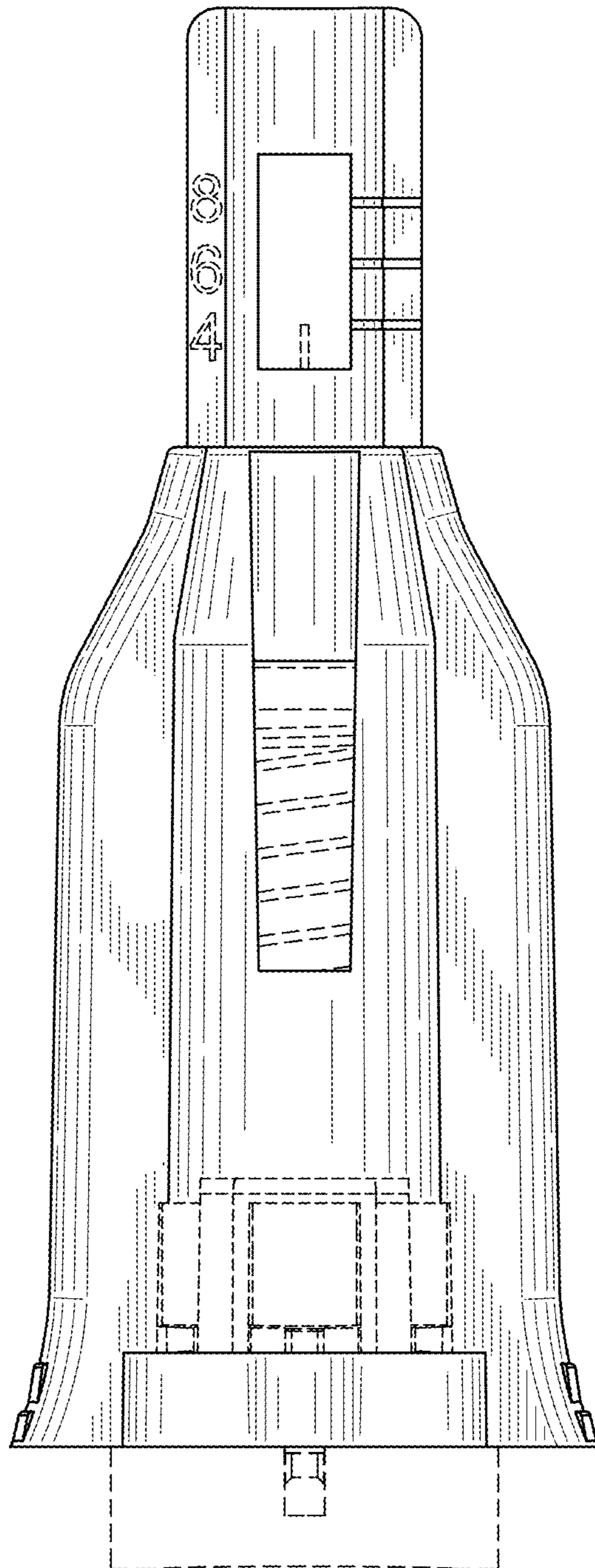


FIG. 4

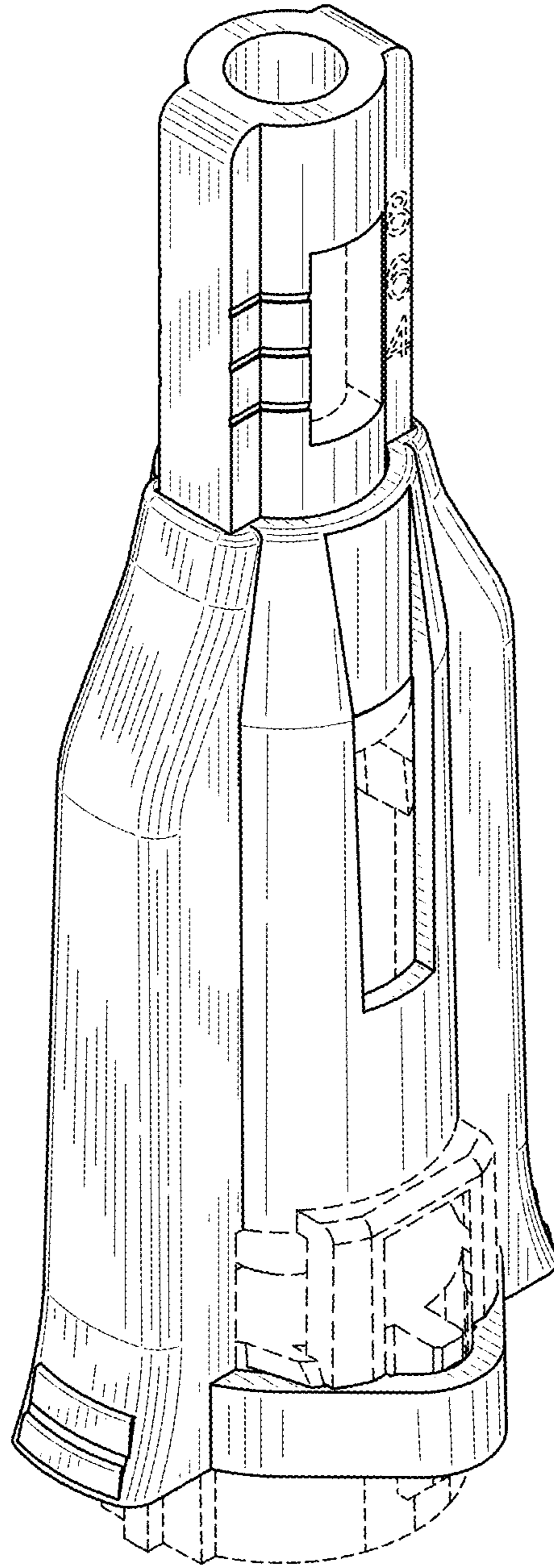


FIG. 5

UNITED STATES PATENT AND TRADEMARK OFFICE
CERTIFICATE OF CORRECTION

PATENT NO. : D768,851 S
APPLICATION NO. : 29/496336
DATED : October 11, 2016
INVENTOR(S) : Marcin Rozwadowski and Vincent Leskovich

Page 1 of 1

It is certified that error appears in the above-identified patent and that said Letters Patent is hereby corrected as shown below:

On the Title Page

Item (30) Foreign Application Priority Data should read:

Jun. 30, 2014 (EM) 0024934600001

Signed and Sealed this
Fourth Day of April, 2017



Michelle K. Lee
Director of the United States Patent and Trademark Office