



US00D768849S

(12) **United States Design Patent** (10) **Patent No.:** **US D768,849 S**
Eisenberg et al. (45) **Date of Patent:** **** Oct. 11, 2016**

(54) **SECUREMENT DEVICE** 6,361,523 B1 * 3/2002 Bierman A61M 25/02
128/DIG. 26

(71) Applicant: **3M INNOVATIVE PROPERTIES COMPANY**, Saint Paul, MN (US) 6,413,240 B1 * 7/2002 Bierman A61M 25/02
128/DIG. 26

(72) Inventors: **Peter M. Eisenberg**, Minneapolis, MN (US); **Jennifer N. Hanson**, Saint Paul, MN (US); **Jia Hu**, Mounds View, MN (US); **Naimul Karim**, Saint Paul, MN (US); **Chaodi Li**, Woodbury, MN (US); **Shilpi K. Sanghi**, Saint Paul, MN (US); **Thomas G. Skulley**, Saint Paul, MN (US) 7,856,746 B1 * 12/2010 Araujo A61M 5/1418
24/487

(73) Assignee: **3M INNOVATIVE PROPERTIES COMPANY**, Saint Paul, MN (US) D655,407 S * 3/2012 Adams D24/128
2007/0038182 A1 * 2/2007 Bialecki A61M 5/3273
604/164.08

(**) Term: **14 Years** 2007/0265572 A1 * 11/2007 Smith A61M 25/02
604/174

2009/0182283 A1 * 7/2009 Sloan A61M 25/02
604/180

2011/0118670 A1 * 5/2011 Kay A61M 25/02
604/177

2015/0014491 A1 * 1/2015 Haynes F16L 3/137
248/74.5

2015/0038912 A1 * 2/2015 Karim A61M 25/02
604/178

2015/0157829 A1 * 6/2015 Bunch A61M 25/02
604/174

* cited by examiner

(21) Appl. No.: **29/495,567**

(22) Filed: **Jul. 2, 2014**

(51) **LOC (10) Cl.** **24-01**

(52) **U.S. Cl.**
USPC **D24/128**

(58) **Field of Classification Search**
USPC D24/127-131, 112-114, 133, 186;
606/181, 185; 604/264, 272, 115, 232,
604/187, 158, 164.08, 192, 263, 163, 181,
604/184, 198, 227; 600/101, 139, 143;
128/200.24, 207.14, 207.15
CPC A61M 5/1418; A61M 16/0875; A61M
2209/082; A61M 25/02; A61M 2025/026;
F16L 3/12; Y10T 403/598
See application file for complete search history.

Primary Examiner — David Muller
Assistant Examiner — Nathan Johnston
(74) *Attorney, Agent, or Firm* — 3M Innovative Properties Company; Lynn R. Hunsberger

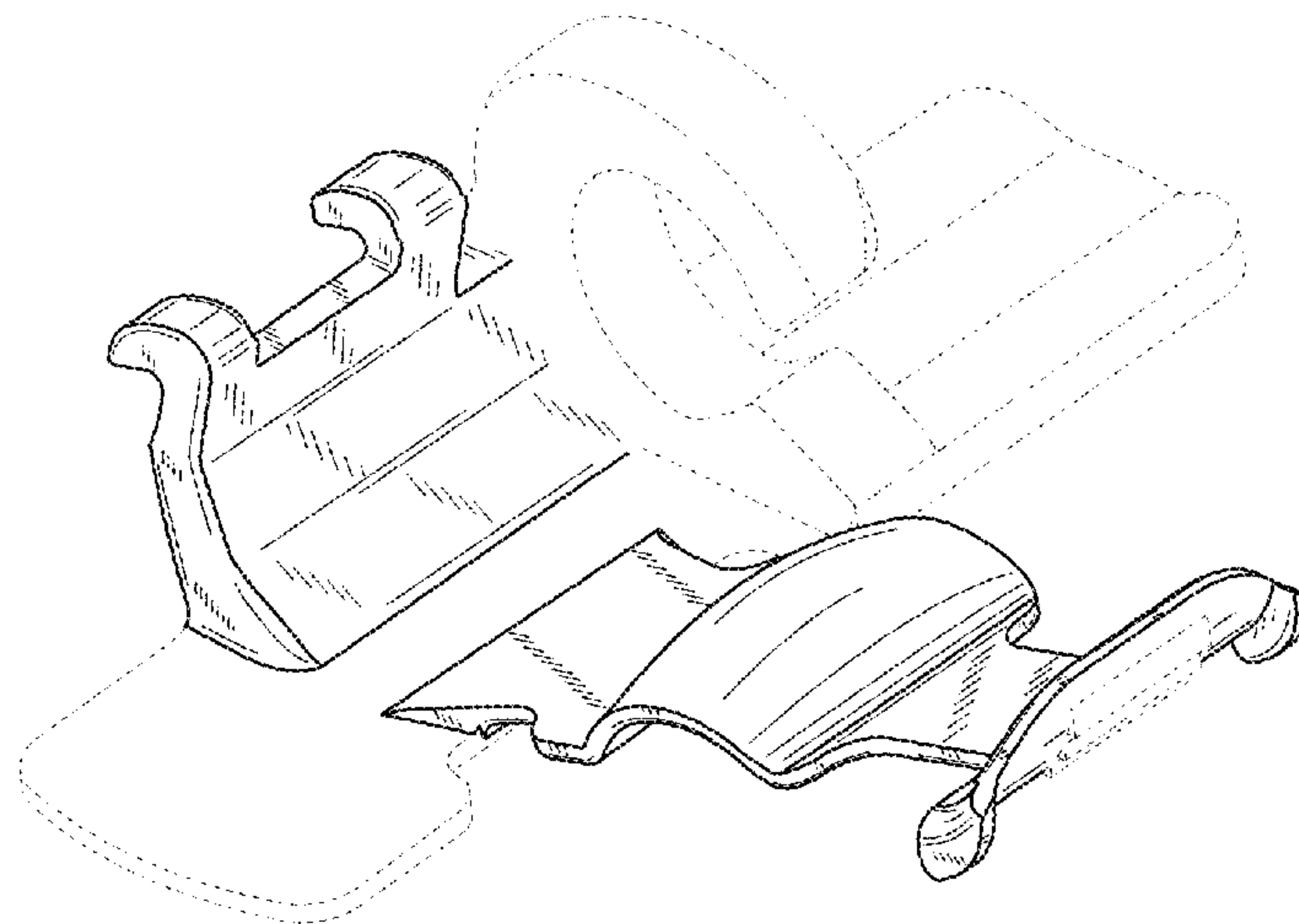
(57) **CLAIM**
The ornamental design for a securement device, as shown and described.

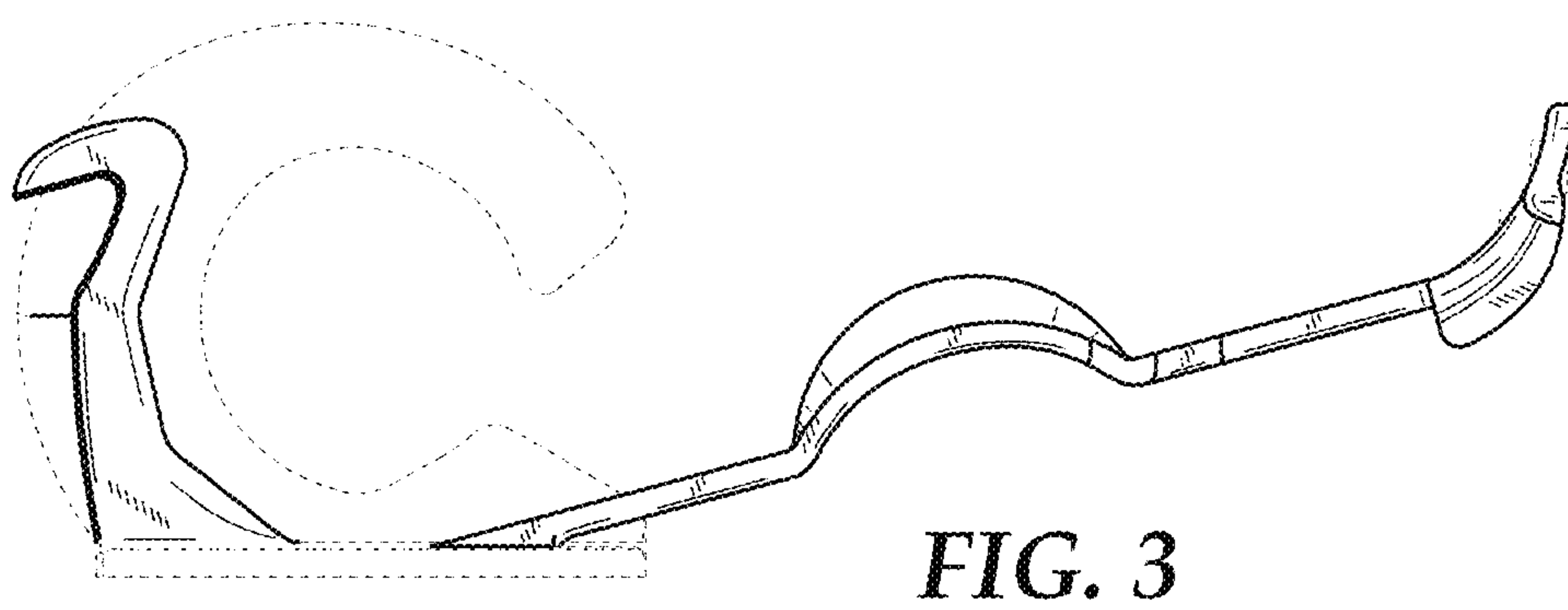
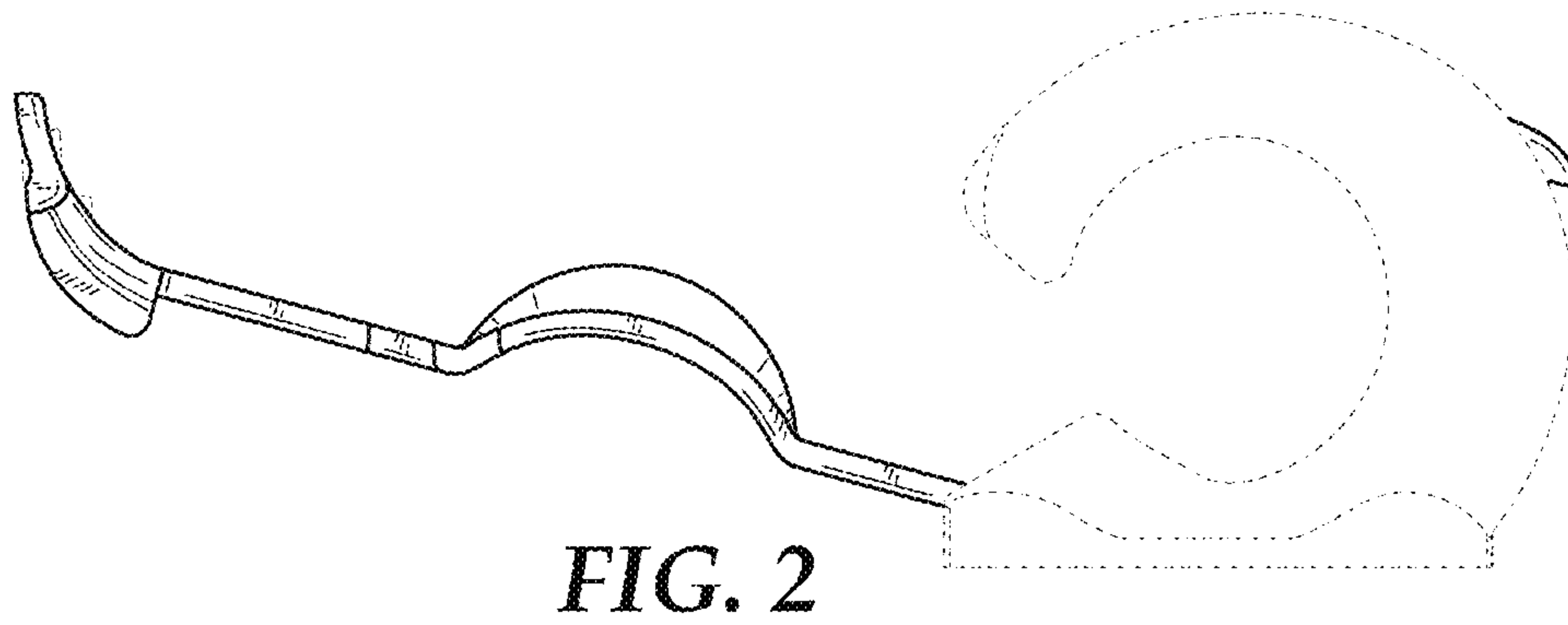
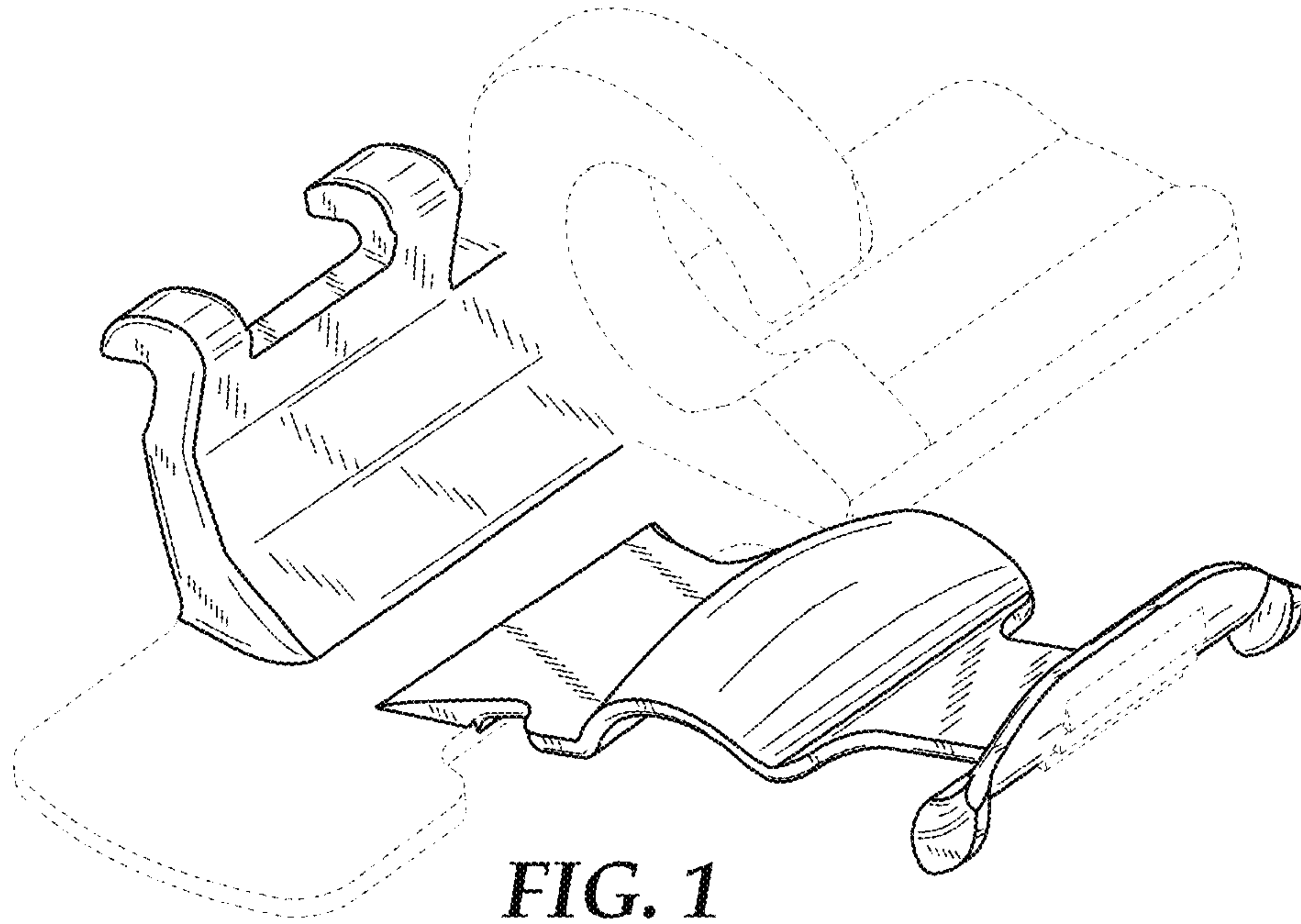
DESCRIPTION

FIG. 1 is a perspective view showing a new design for a securement device;
FIG. 2 is a rear elevation view thereof;
FIG. 3 is a front elevation view thereof;
FIG. 4 is a top plan view thereof;
FIG. 5 is a right side elevation view thereof;
FIG. 6 is a bottom plan view thereof; and,
FIG. 7 is a left side elevation view thereof.
The features shown in broken lines depict environmental subject matter only and form no part of the claimed design.

(56) **References Cited**
U.S. PATENT DOCUMENTS
6,004,294 A * 12/1999 Brimhall A61M 25/0618
604/110
D431,650 S * 10/2000 Guala D24/129

1 Claim, 3 Drawing Sheets





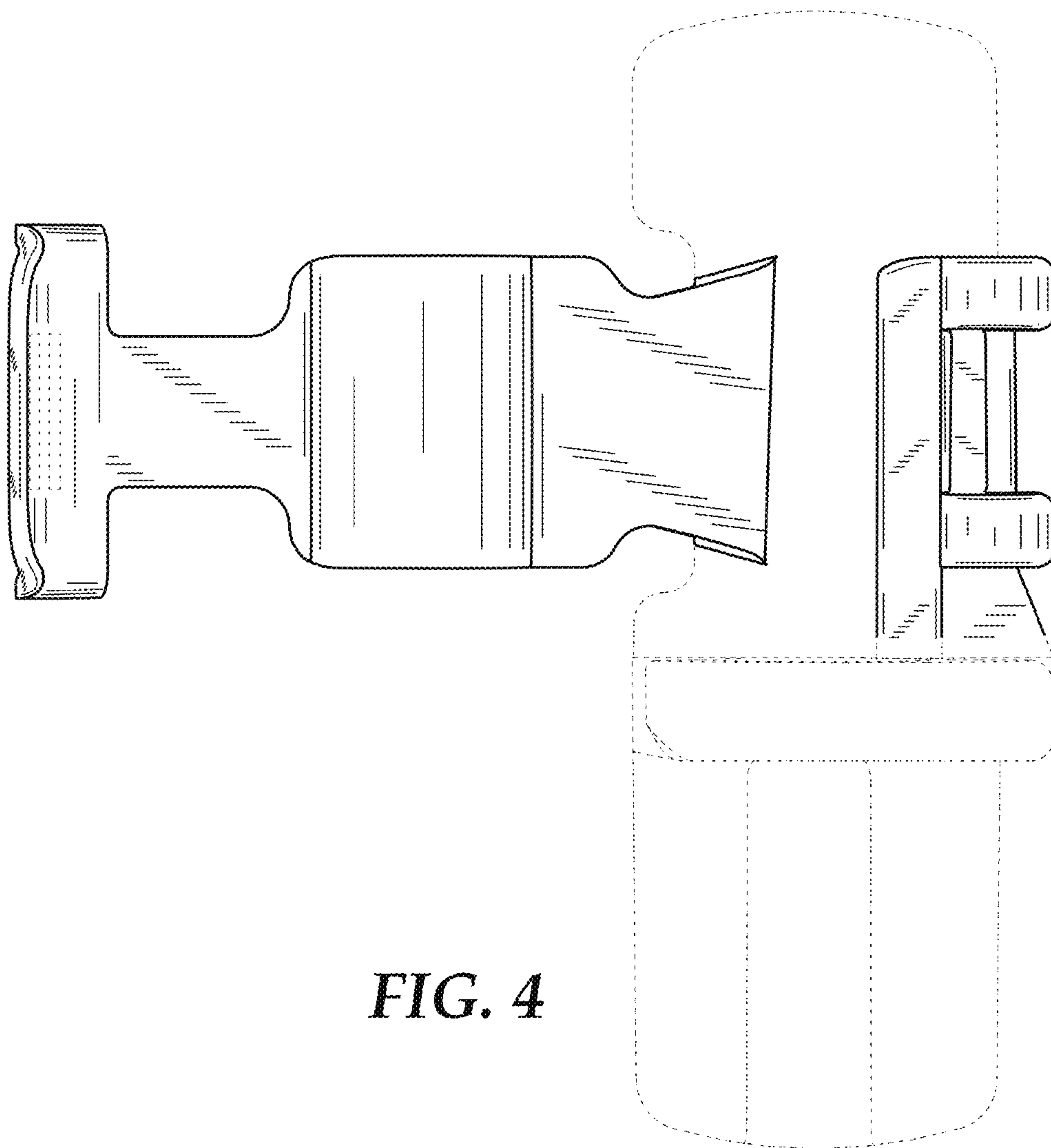


FIG. 4

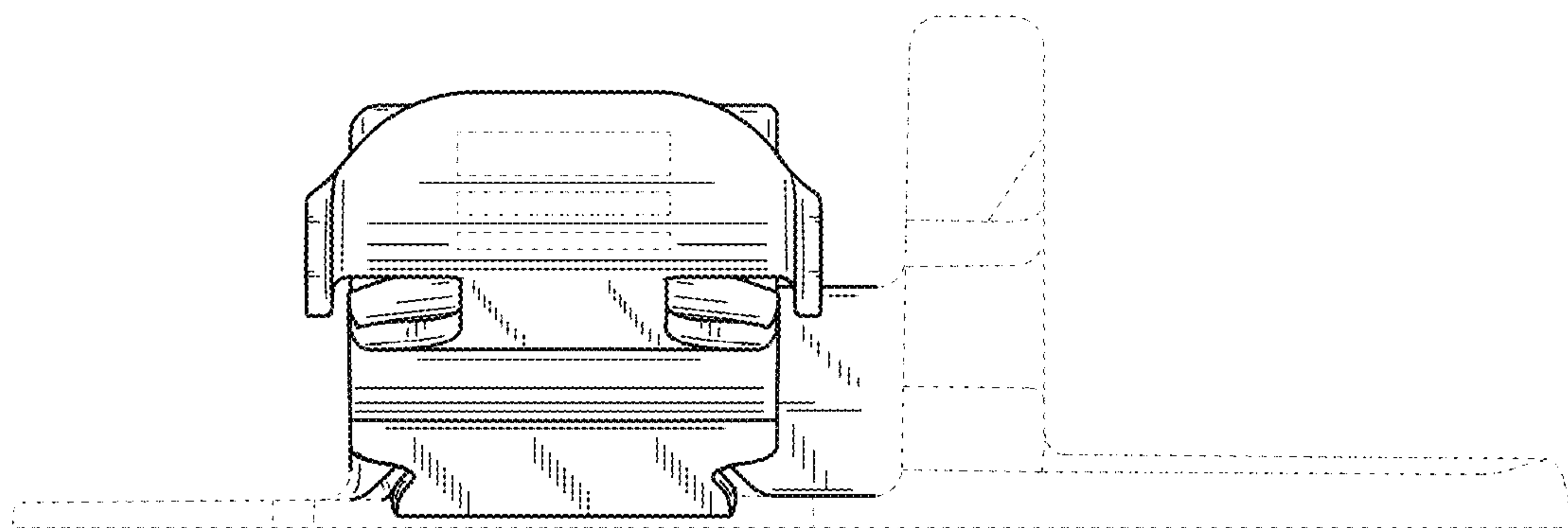


FIG. 5

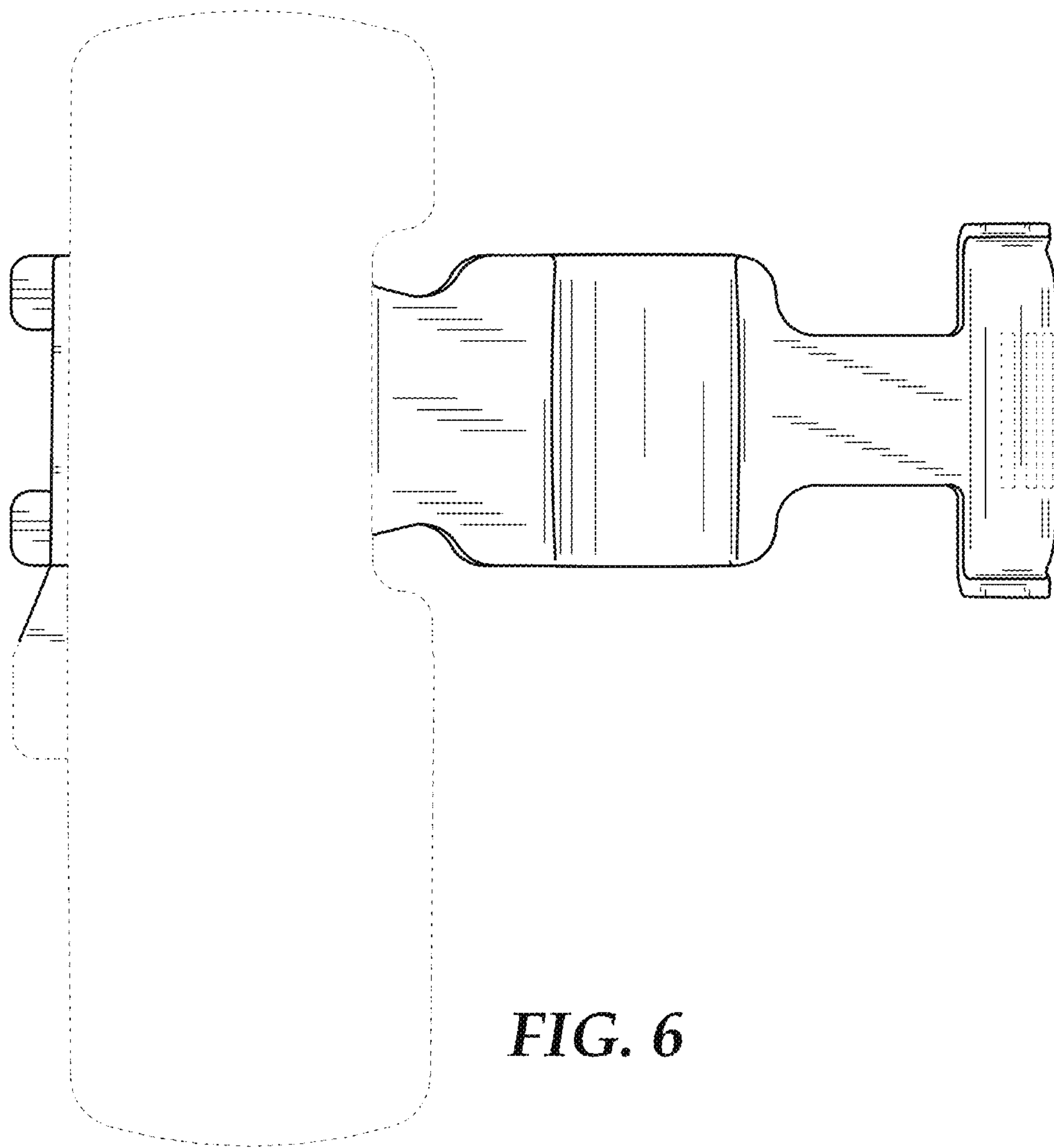


FIG. 6

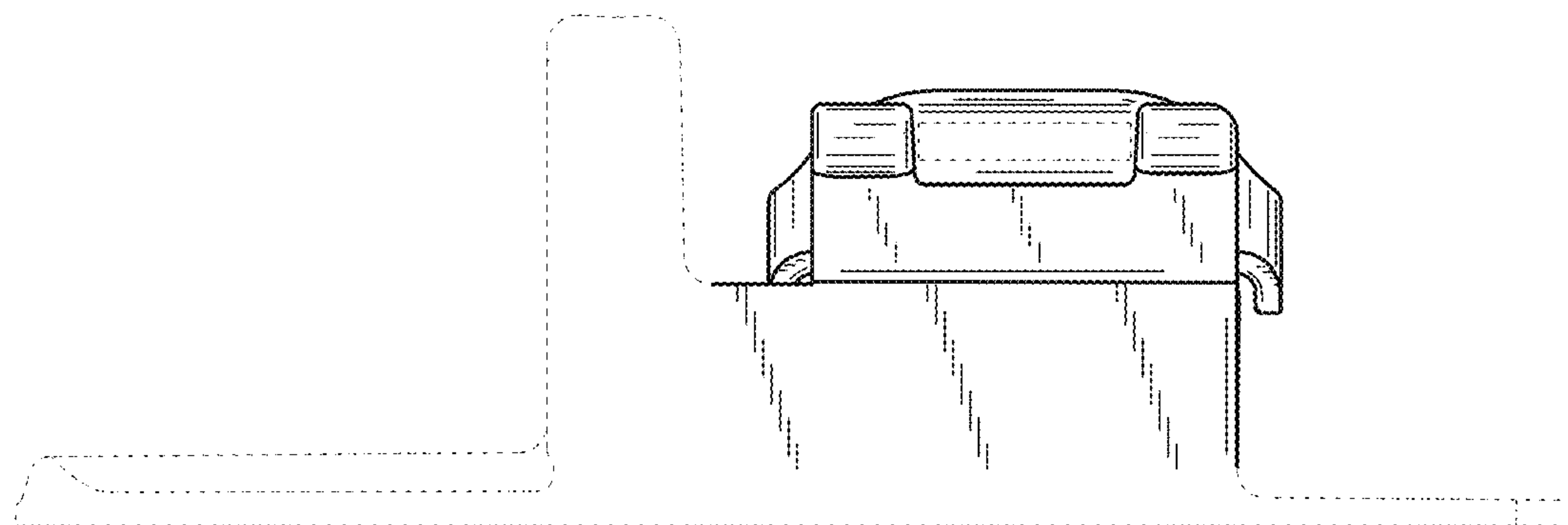


FIG. 7