



US00D768848S

(12) **United States Design Patent**
Cooper et al.

(10) **Patent No.:** **US D768,848 S**

(45) **Date of Patent:** **** Oct. 11, 2016**

- (54) **DOSING COUNTER**
- (71) Applicants: **Dennis Cooper**, Tasmania (AU); **Jim Wait**, Spring Valley, WI (US); **Mark Toycen**, Spring Valley, WI (US)
- (72) Inventors: **Dennis Cooper**, Tasmania (AU); **Jim Wait**, Spring Valley, WI (US); **Mark Toycen**, Spring Valley, WI (US)
- (73) Assignee: **Mark L. Anderson**, Spring Valley, WI (US)

| | | | | | |
|--------------|------|---------|-----------|-------|-------------------------|
| 5,817,034 | A * | 10/1998 | Milliman | | A61B 10/0266 600/562 |
| 5,901,743 | A * | 5/1999 | Schulz | | A61D 7/00 137/515.5 |
| 6,554,161 | B2 * | 4/2003 | Main | | A61D 7/00 222/287 |
| 6,565,538 | B2 * | 5/2003 | Quinn | | A61D 1/025 604/181 |
| D576,273 | S * | 9/2008 | McClintok | | D24/113 |
| D641,871 | S * | 7/2011 | Tenger | | D24/133 |
| D651,311 | S * | 12/2011 | Triplett | | D24/133 |
| 2010/0174241 | A1 * | 7/2010 | Ebbett | | A61D 7/00 604/207 |
| 2012/0130344 | A1 * | 5/2012 | Ebbett | | A61D 7/00 604/506 |

(**) Term: **14 Years**

* cited by examiner

(21) Appl. No.: **29/499,656**

Primary Examiner — David Muller

(22) Filed: **Aug. 18, 2014**

Assistant Examiner — Nathan Johnston

(51) **LOC (10) Cl.** **24-02**

(74) *Attorney, Agent, or Firm* — Skinner and Associates;
Joel Skinner

(52) **U.S. Cl.**
USPC **D24/113**

(58) **Field of Classification Search**
USPC D24/112–114, 108, 133, 130, 127, 186;
606/181, 185; 604/264, 272, 187, 181,
604/184, 227
CPC A61D 7/00; A61M 5/204; A61M 5/315
See application file for complete search history.

(57) **CLAIM**

The ornamental design for a dosing counter, as shown and described.

DESCRIPTION

FIG. 1 is a perspective view of a dosing counter showing our new design.

FIG. 2 is a front elevation view thereof.

FIG. 3 is a back elevation view thereof.

FIG. 4 is a top plan view thereof.

FIG. 5 is a bottom plan view thereof.

FIG. 6 is an end elevation view thereof; and,

FIG. 7 is an opposite end elevation view thereof.

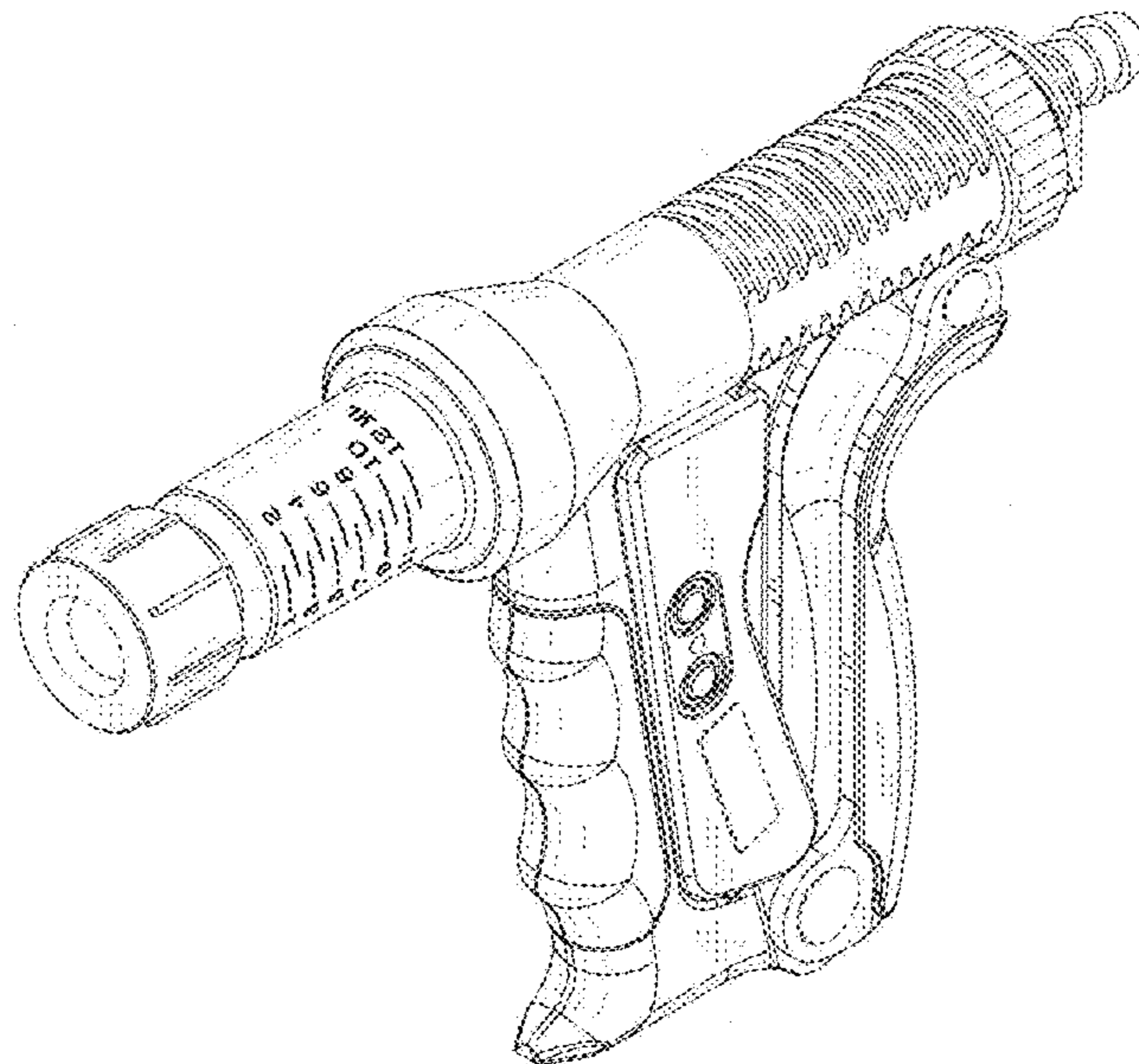
The broken line showing of dosing counter is included for the purpose of illustrating portions of the “article” and forms no part of the claimed design.

(56) **References Cited**

U.S. PATENT DOCUMENTS

| | | | | | |
|-----------|-----|--------|----------|-------|-------------------------|
| 4,033,346 | A * | 7/1977 | Phillips | | A61M 3/00 604/186 |
| 5,408,919 | A * | 4/1995 | Hutzler | | A47J 37/106 222/79 |
| 5,591,135 | A * | 1/1997 | Sullivan | | A61M 5/31551 604/207 |
| D383,839 | S * | 9/1997 | Sullivan | | D24/112 |

1 Claim, 5 Drawing Sheets



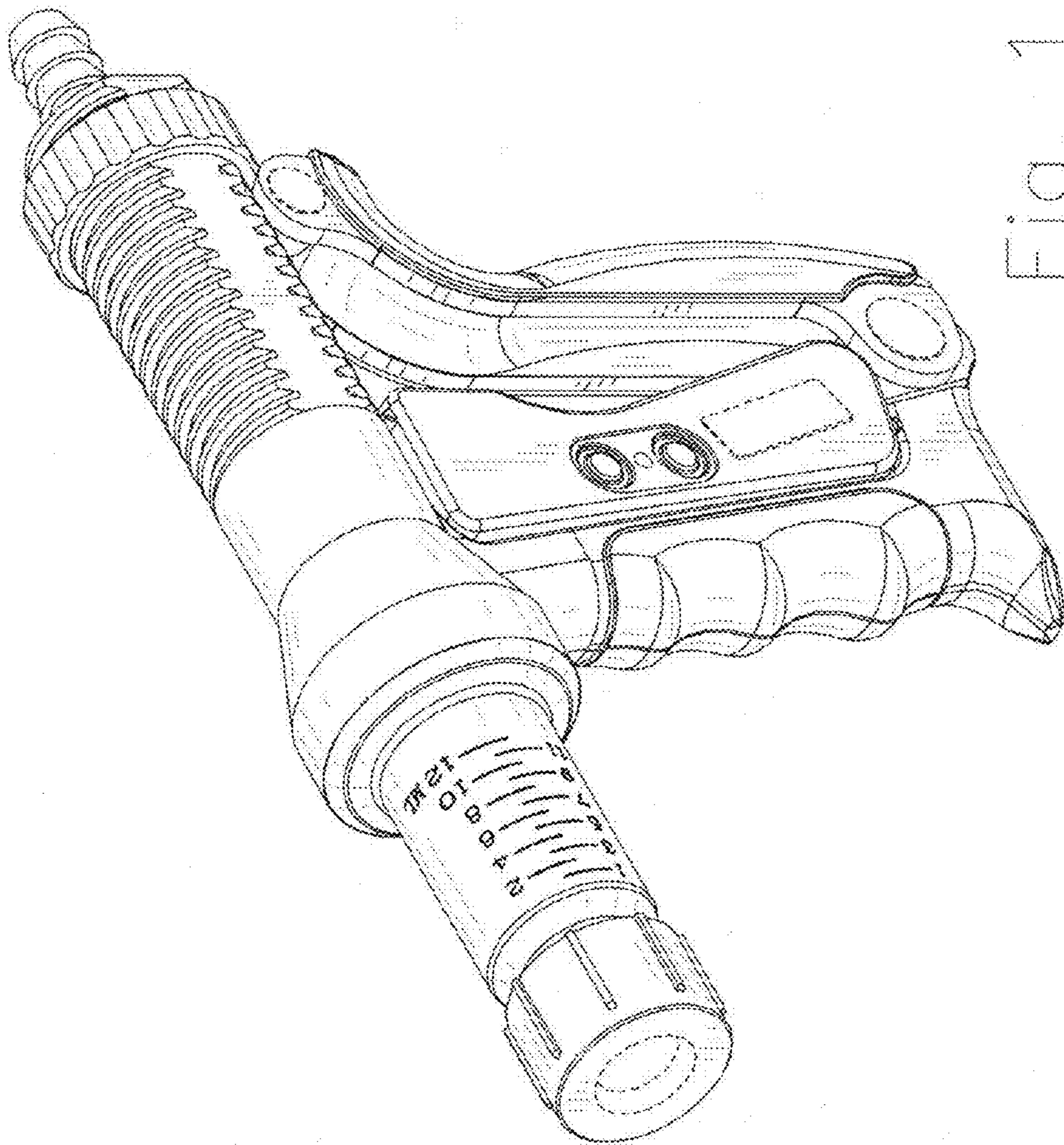


Fig. 1

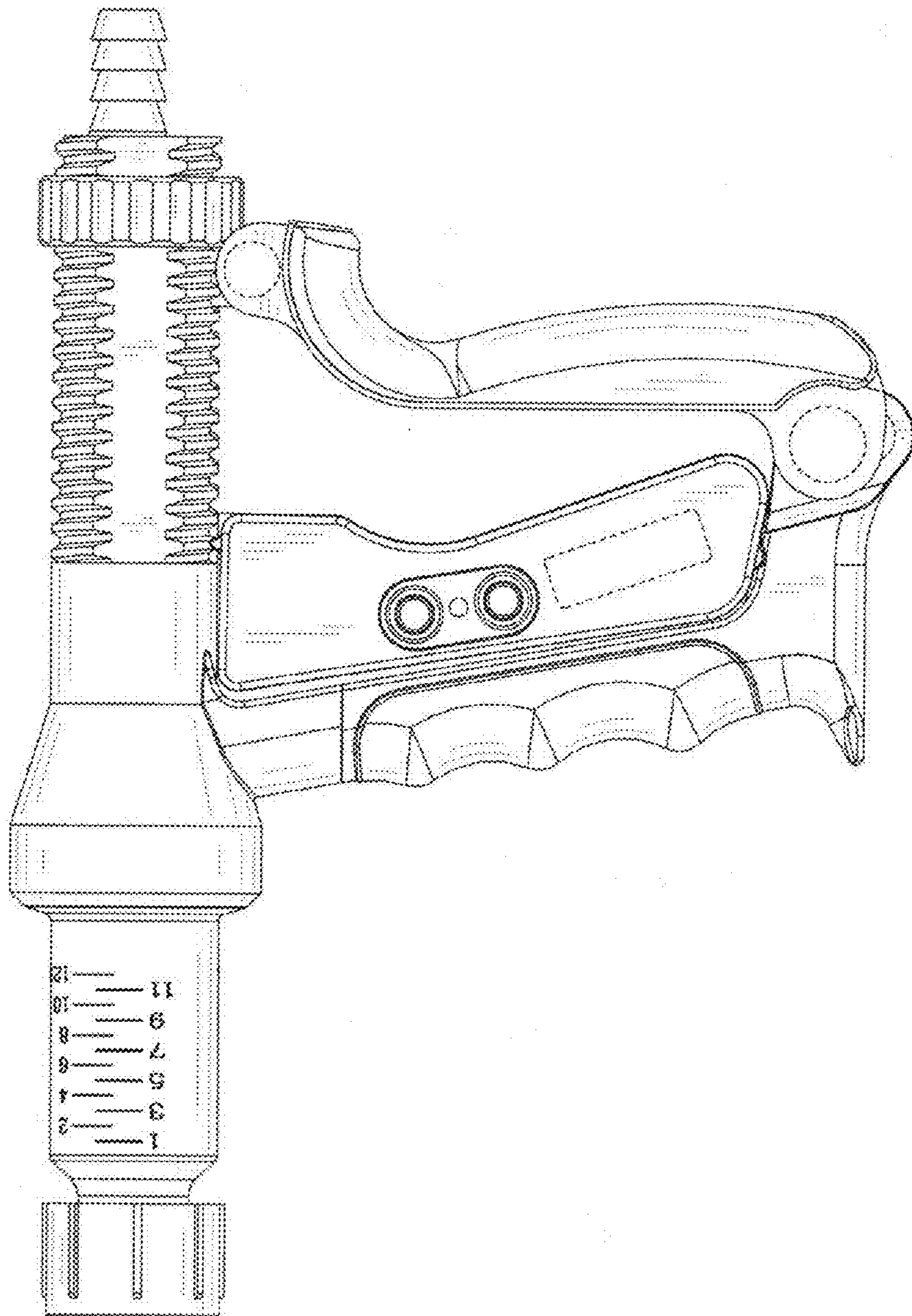


Fig. 2

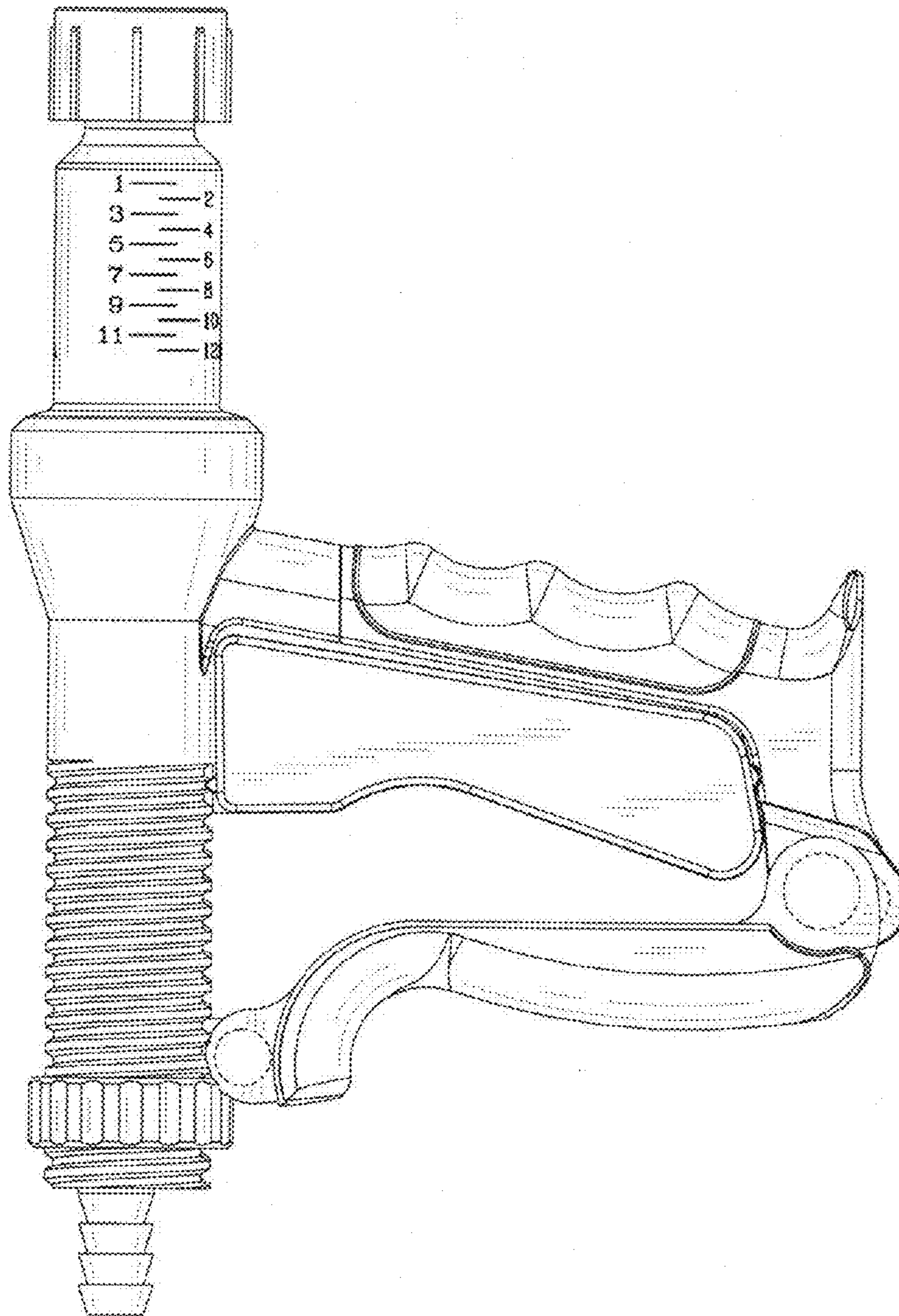


Fig. 3

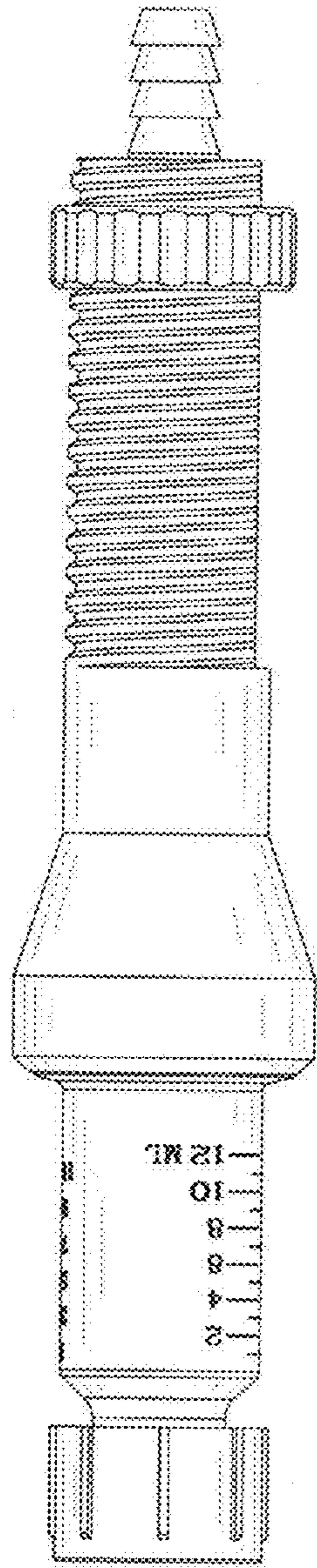


Fig. 4

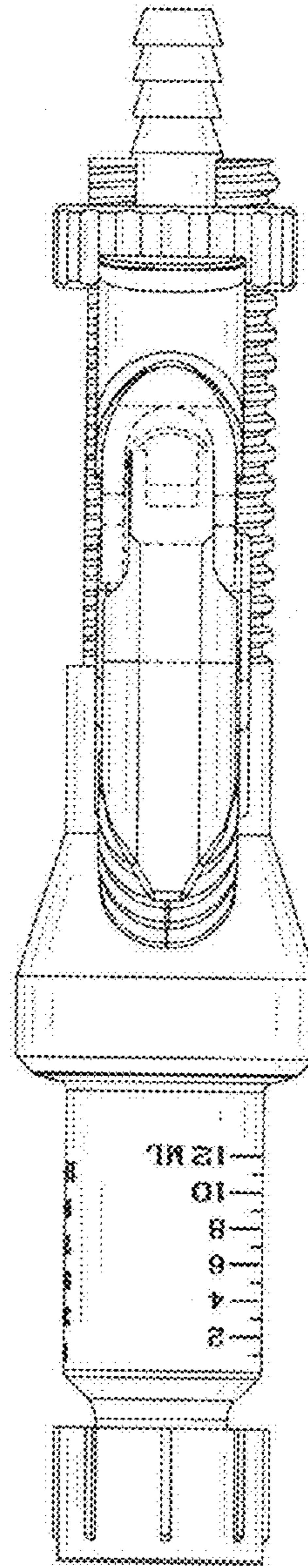


Fig. 5

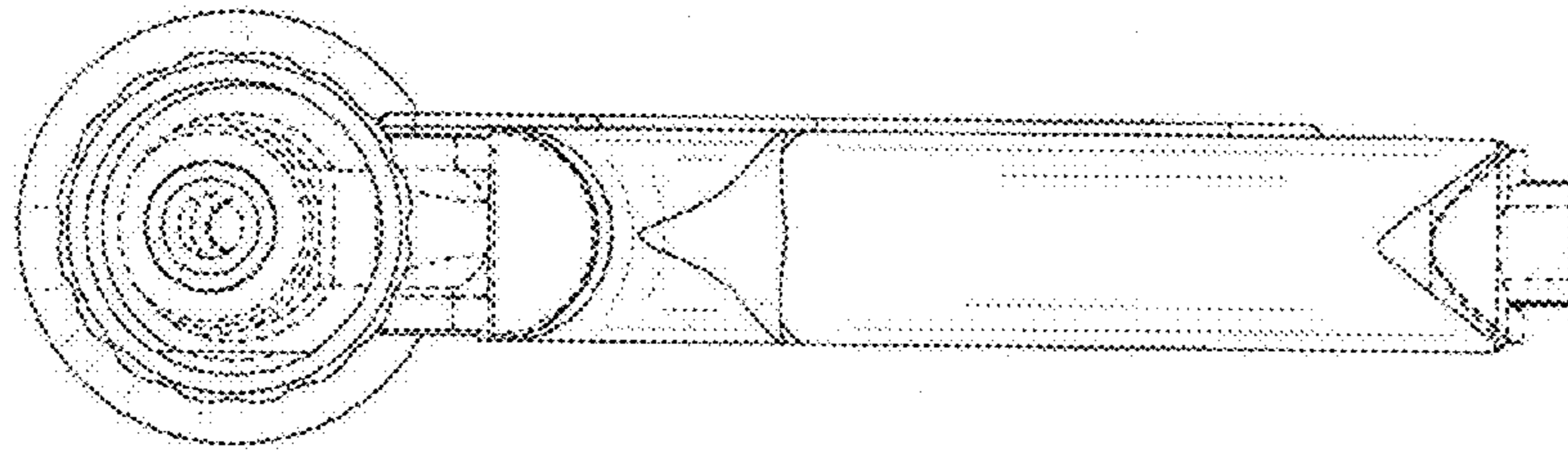


Fig. 7

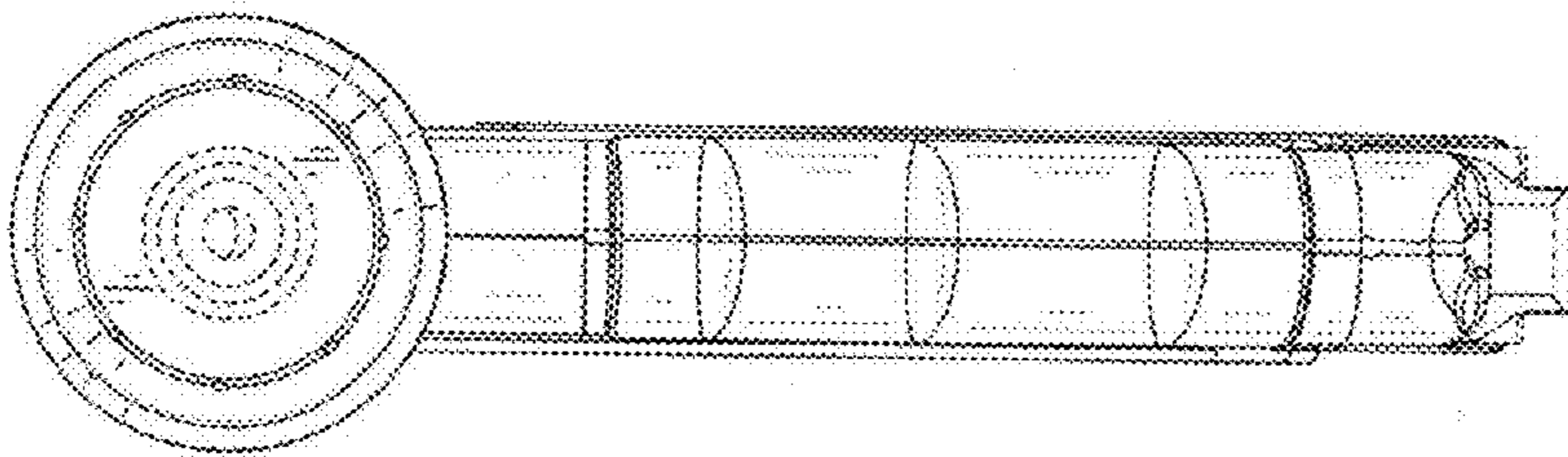


Fig. 6