



US00D768846S

(12) **United States Design Patent** (10) **Patent No.:** **US D768,846 S**
Nasir et al. (45) **Date of Patent:** **** Oct. 11, 2016**

(54) **AIRWAY DEVICE**
(71) Applicants: **Muhammed Aslam Nasir**,
Bedfordshire (GB); **Surinderjit Jassell**,
Berkshire (GB)
(72) Inventors: **Muhammed Aslam Nasir**,
Bedfordshire (GB); **Surinderjit Jassell**,
Berkshire (GB)

3,734,100 A 5/1973 Walker et al. 128/351
3,968,800 A 7/1976 Vilasi 128/343
3,995,643 A 12/1976 Merav 128/351
4,509,514 A 4/1985 Brain 128/207.15
4,919,126 A 4/1990 Baildon 128/207.14
4,995,388 A 2/1991 Brain 128/207.15
5,054,483 A 10/1991 Marten et al. 128/207.14

(Continued)

(73) Assignee: **ASHKAL DEVELOPMENTS LIMITED (IM)**

AU B-52036/90 9/1990 A61M 16/04
AU B-45803/93 2/1994 A61M 16/04

(Continued)

(**) Term: **14 Years**

OTHER PUBLICATIONS

(21) Appl. No.: **29/512,931**

Office Action issued in U.S. Appl. No. 12/627,844, dated Sep. 17, 2015 (26 pgs).

(22) Filed: **Dec. 23, 2014**

(Continued)

Related U.S. Application Data

(62) Division of application No. 29/428,284, filed on Jul. 27, 2012.

Primary Examiner — Barbara Fox
Assistant Examiner — Lilyana Bekic

(30) **Foreign Application Priority Data**

(74) *Attorney, Agent, or Firm* — Hayes Soloway P.C.

Jan. 27, 2012 (EM) 001982620
Jan. 27, 2012 (EM) 002079210

(57) **CLAIM**

The ornamental design for a airway device, as shown and described.

(51) **LOC (10) Cl.** **29-02**

DESCRIPTION

(52) **U.S. Cl.**
USPC **D24/110**

(58) **Field of Classification Search**
USPC D24/107, 108, 110, 127, 164
CPC A61M 16/0409; A61M 16/04; A61M 16/0445; A61M 16/0447; A61M 16/0493; A61M 16/0486; A61M 2210/0656
See application file for complete search history.

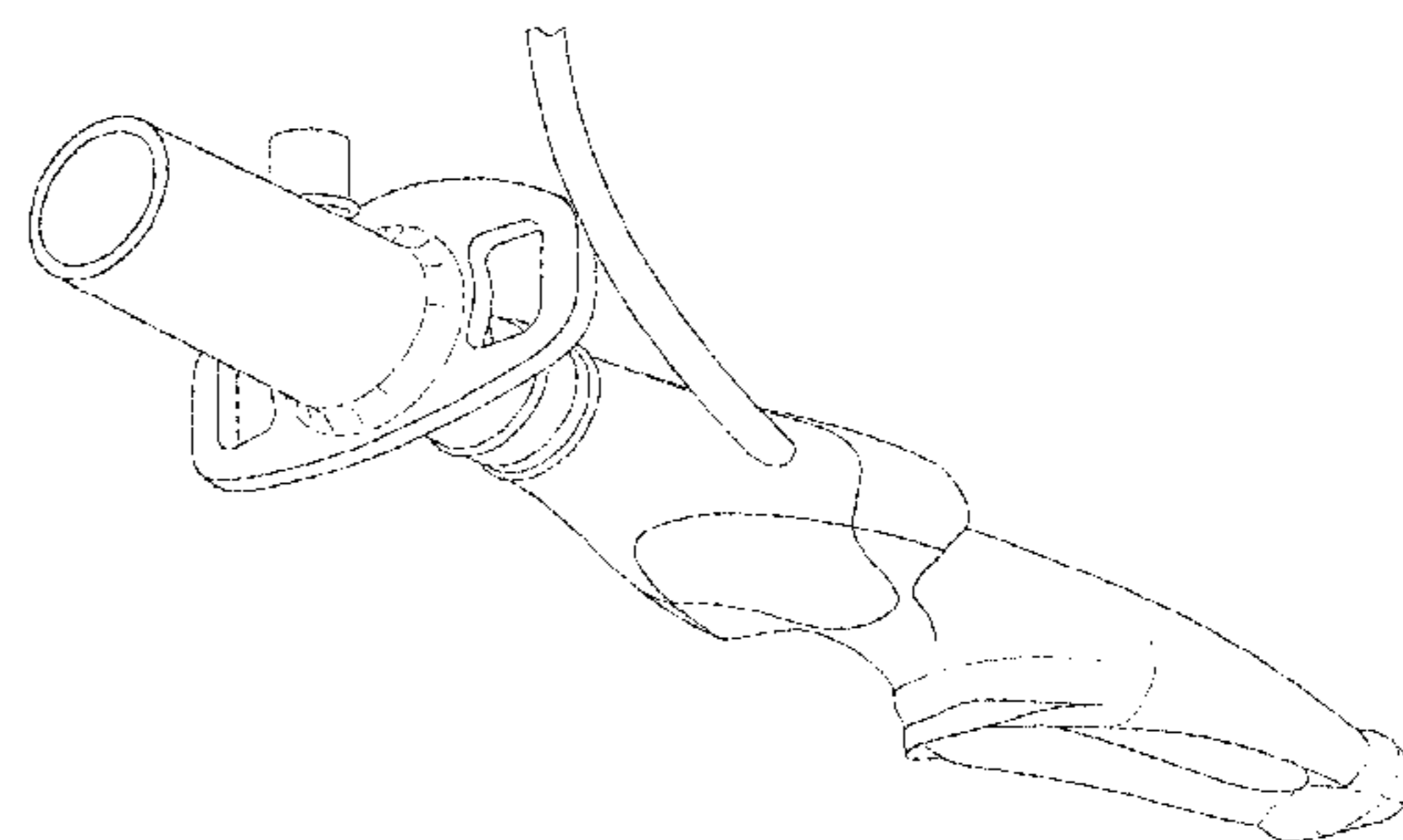
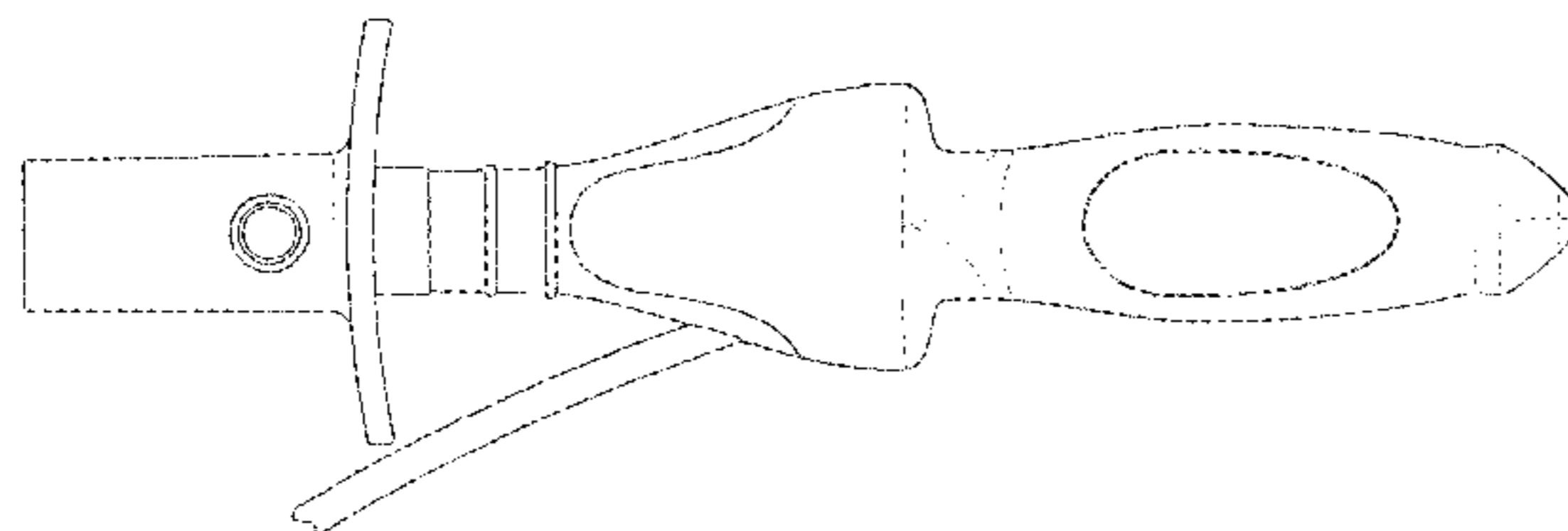
FIG. 1 is a top view of an airway device, showing our new design;
FIG. 2 is a right side view thereof;
FIG. 3 is a bottom side view thereof;
FIG. 4 is a left side view thereof;
FIG. 5 is a rear view thereof;
FIG. 6 is a front view thereof;
FIG. 7 is a top perspective view thereof; and,
FIG. 8 is a bottom perspective view thereof.
The broken lines in the drawings illustrate portions of the airway device which form no part of the claimed design.

(56) **References Cited**

U.S. PATENT DOCUMENTS

478,582 A 7/1892 Ermold 128/207.14
2,099,127 A 11/1937 Leech 128/207.15
3,616,799 A 11/1971 Sparks 128/351

1 Claim, 2 Drawing Sheets



(56)

References Cited

U.S. PATENT DOCUMENTS

5,174,283 A 12/1992 Parker 128/200.26
 5,181,505 A 1/1993 Lew 128/200.26
 5,241,956 A 9/1993 Brain 128/207.15
 5,249,571 A 10/1993 Brain 128/207.14
 5,259,371 A 11/1993 Tonrey 128/200.26
 5,282,464 A 2/1994 Brain 128/207.15
 5,285,778 A 2/1994 Mackin 128/207.15
 5,297,547 A 3/1994 Brain 128/207.15
 5,303,697 A 4/1994 Brain 128/200.26
 5,305,743 A 4/1994 Brain 128/207.15
 5,322,062 A 6/1994 Servas 128/207.14
 5,339,805 A 8/1994 Parker 128/200.26
 5,355,879 A 10/1994 Brain 128/207.15
 5,391,248 A 2/1995 Brain 156/242
 5,477,851 A 12/1995 Callaghan et al. 128/207.15
 5,584,290 A 12/1996 Brain 128/207.15
 5,623,921 A 4/1997 Kinsinger et al. 128/200.26
 5,632,271 A 5/1997 Brain 128/207.15
 5,655,519 A 8/1997 Alfery 128/200.26
 5,682,880 A 11/1997 Brain 128/207.15
 5,711,293 A 1/1998 Brain 128/200.24
 5,791,341 A 8/1998 Bullard 128/207.15
 5,853,004 A 12/1998 Goodman 128/207.15
 5,865,176 A 2/1999 O'Neil 128/207.15
 5,878,745 A 3/1999 Brain 128/207.15
 5,881,726 A 3/1999 Neame 128/207.15
 5,896,858 A 4/1999 Brain 128/207.15
 5,915,383 A 6/1999 Pagan 128/207.15
 5,921,988 A 7/1999 Legrand 606/87
 5,937,859 A 8/1999 Augustine et al. 128/207.15
 5,937,860 A 8/1999 Cook 128/207.15
 5,964,217 A 10/1999 Christopher 128/200.26
 5,976,072 A 11/1999 Greenberg 600/120
 5,979,445 A 11/1999 Neame et al. 128/207.15
 5,988,167 A 11/1999 Kamen 128/207.15
 6,003,514 A 12/1999 Pagan 128/207.15
 6,055,984 A 5/2000 Brain 128/207.14
 6,070,581 A 6/2000 Augustine et al. 128/207.15
 6,079,409 A 6/2000 Brain 128/200.26
 D429,811 S 8/2000 Bermudez D24/110.5
 6,095,144 A 8/2000 Pagan 128/207.15
 6,152,136 A 11/2000 Pagan 128/207.15
 6,216,696 B1 4/2001 van den Berg 128/207.14
 6,280,675 B1 8/2001 Legrand 264/262
 6,311,688 B1 11/2001 Augustine et al. 128/200.26
 6,318,367 B1 11/2001 Mongeon 128/207.15
 6,422,239 B1 7/2002 Cook 128/207.15
 6,439,232 B1 8/2002 Brain 128/207.15
 6,474,332 B2 11/2002 Arndt 128/200.26
 6,536,437 B1 3/2003 Dragisic 128/207.18
 6,604,525 B2 8/2003 Pagan 128/207.15
 6,631,720 B1 10/2003 Brain 128/207.14
 D482,118 S 11/2003 Dave et al. D24/110
 6,679,263 B2 1/2004 Luchetti et al. 128/207.15
 6,698,430 B2 3/2004 Van Landuyt 128/207.15
 6,705,318 B1 3/2004 Brain 128/207.14
 6,705,321 B2 3/2004 Cook 128/207.15
 6,705,322 B2 3/2004 Chang 128/207.15
 6,792,948 B2 9/2004 Brain 128/207.14
 6,799,574 B1 10/2004 Collins 128/207.15
 6,877,512 B2 4/2005 Imai et al. 128/207.15
 6,918,388 B2 7/2005 Brain 128/200.26
 6,918,391 B1 7/2005 Moore 128/842
 6,971,382 B1 12/2005 Corso 128/200.26
 7,004,169 B2 2/2006 Brain 128/207.14
 D518,572 S 4/2006 Nasir D24/110.5
 D518,890 S 4/2006 Nasir D24/110.5
 7,040,312 B2 5/2006 Alfery et al. 128/200.26
 7,040,322 B2 5/2006 Fortuna 128/207.15
 7,047,973 B2 5/2006 Chang 128/207.15
 7,096,868 B2 8/2006 Tateo et al. 128/207.15
 7,097,802 B2 8/2006 Brain 264/255
 7,134,431 B2 11/2006 Brain 128/200.26
 7,140,368 B1 11/2006 Collins 128/207.14
 D542,675 S 5/2007 Luxton et al. D9/749

7,263,998 B2 9/2007 Miller 128/207.15
 RE39,938 E 12/2007 Brain 128/207.15
 7,305,985 B2 12/2007 Brain 128/200.26
 7,357,845 B2 4/2008 Cook 156/242
 7,506,648 B2 3/2009 Brain 128/207.15
 D611,138 S 3/2010 Nasir D24/110.5
 D615,188 S 5/2010 Nasir D24/110.5
 D618,788 S 6/2010 Dubach D24/110.5
 7,762,261 B1 7/2010 Fortuna 128/207.14
 7,806,119 B2 10/2010 Nasir 128/205.25
 7,896,007 B2 3/2011 Brain 128/207.15
 7,900,632 B2 3/2011 Cook 128/207.14
 8,001,964 B2 8/2011 McDonald et al. 128/200.26
 D650,520 S 12/2011 Timmermans D27/163
 8,091,242 B2 1/2012 Teys et al. 30/324
 8,215,307 B2 7/2012 Nasir 128/207.15
 D665,495 S * 8/2012 Nasir D24/110.5
 D693,920 S 11/2013 Miller D24/110.5
 2001/0015207 A1 8/2001 Pagan 128/207.15
 2001/0025641 A1 10/2001 Doane et al. 128/207.15
 2001/0027793 A1 10/2001 Tielemans 128/848
 2002/0010417 A1 1/2002 Bertram 604/96.01
 2002/0010617 A1 1/2002 Hamaguchi et al. 705/10
 2002/0078961 A1 6/2002 Collins 128/207.15
 2002/0108610 A1 8/2002 Christopher 128/200.26
 2002/0112728 A1 8/2002 Landuyt 128/207.15
 2002/0170556 A1 11/2002 Gaitini 128/200.14
 2003/0037790 A1 2/2003 Brain 128/207.14
 2003/0066532 A1 4/2003 Gobel 128/207.15
 2003/0101998 A1 6/2003 Zocca et al. 128/207.15
 2003/0136413 A1 7/2003 Brain et al. 128/207.15
 2003/0172925 A1 9/2003 Zocca et al. 128/202.22
 2003/0172933 A1 9/2003 Nimmo 128/207.14
 2004/0020488 A1 2/2004 Kniewasser 128/204.18
 2004/0020491 A1 2/2004 Fortuna 128/207.15
 2005/0016529 A1 1/2005 Cook 128/200.24
 2005/0051173 A1 3/2005 Brain 128/207.14
 2005/0051175 A1 3/2005 Brain 128/207.14
 2005/0066975 A1 3/2005 Brain 128/207.15
 2005/0081861 A1 4/2005 Nasir 128/207.14
 2005/0103345 A1 5/2005 Brain 128/207.15
 2005/0104255 A1 5/2005 Mejlhede et al. 264/328.1
 2005/0274383 A1 12/2005 Brain 128/207.15
 2006/0081245 A1 4/2006 Gould 128/200.26
 2006/0207601 A1 9/2006 Nasir 128/207.14
 2008/0142017 A1 6/2008 Brain 128/207.15
 2008/0308109 A1 12/2008 Brain 128/207.14
 2010/0059061 A1 3/2010 Brain 128/207.14
 2010/0089393 A1 * 4/2010 Brain A61M 16/04
 128/203.12
 2010/0126512 A1 5/2010 Nasir 128/207.14
 2010/0242957 A1 9/2010 Fortuna 128/202.22
 2011/0277772 A1 11/2011 Nasir 128/207.15
 2013/0092172 A1 * 4/2013 Nasir A61M 16/04
 128/207.15
 2013/0247917 A1 * 9/2013 Brain A61M 16/0488
 128/207.15
 2015/0000672 A1 * 1/2015 Jassell A61M 16/0443
 128/207.15

FOREIGN PATENT DOCUMENTS

AU 200076743 5/2001 A61M 16/04
 CA 1 324 551 11/1993 A61M 16/04
 CA 2 191 749 12/1995 A61M 16/01
 CA 2 346 248 4/2000 A61M 16/04
 CN 1 166 138 11/1997 A61M 16/00
 CN 1 236 326 11/1999 A61M 16/04
 CN 1 351 509 5/2002 A61M 16/04
 DE 42 33 933 4/1993 H02N 2/00
 DE 43 30 032 4/1994 H02N 2/00
 DE 195 00 550 7/1996 A61M 16/04
 DE 299 02 267 7/1999 A61M 16/06
 DE 201 00 176 5/2001 A61M 16/01
 DE 202 06 692 8/2002 A61M 16/00
 EM 000067210-0001 8/2003
 EM 000067210-0002 8/2003
 EM 000197124-0001 6/2004
 EM 000197124-0002 6/2004

(56)

References Cited

FOREIGN PATENT DOCUMENTS

EM	000197124-0003	6/2004	
EM	000197124-0004	6/2004	
EM	000197124-0005	6/2004	
EM	000197124-0006	6/2004	
EM	000180757-0001	7/2004	
EM	000482195-0001	2/2006	
EM	000482195-0002	2/2006	
EP	0 277 797	8/1988 A61M 16/04
EP	0 389 272	9/1990 A61M 16/04
EP	0 448 878	10/1991 A61M 16/04
EP	0 586 717	3/1994 A61M 16/04
EP	0 794 807	9/1997 A61M 16/00
EP	0 834 331	8/1998 A61M 16/04
EP	0 857 492	8/1998 A61M 16/04
EP	0 875 260	11/1998 A61M 16/04
EP	0 884 061	12/1998 A61M 16/04
EP	0 911 049	4/1999 A61M 16/04
EP	0 935 971	8/1999 A61M 16/04
EP	1 125 595	8/2001 A61M 16/04
EP	1504870	2/2005	
EP	1 579 885	9/2005 A61M 16/04
EP	1 875 937	1/2008 A61M 16/04
ES	1 046 206	1/2000 A61M 25/00
FR	2 094 264	1/1972 C07C 31/00
FR	2 690 018	10/1993 H02N 2/00
FR	2 760 186	9/1998 A61F 2/30
FR	2 807 307	10/2001 A47J 37/06
FR	2 827 482	1/2003 A24B 1/10
FR	2 851 107	8/2004 H04M 11/06
GB	1 402 255	8/1975 A61M 25/00
GB	2 113 348	8/1983 B06B 1/16
GB	2 128 561	5/1984 B60R 19/54
GB	2 168 256	6/1986 A61M 16/04
GB	2 249 959	5/1992 A61M 16/04
GB	2 267 034	11/1993 A61M 25/02
GB	2 285 765	7/1995 A61M 16/04
GB	2 317 342	3/1998 A61M 16/04
GB	2 319 182	5/1998 A61M 16/04
GB	2 323 292	9/1998 A61M 16/04
GB	2 326 009	12/1998 A61M 16/04
GB	2 330 312	4/1999 A61M 16/04
GB	2 337 020	11/1999 B29D 31/00
GB	2 359 996	9/2001 A61M 16/04
GB	2 364 644	2/2002 A61M 16/04
GB	2 373 188	9/2002 A61M 16/04
GB	2 393 399	3/2004 A61M 16/04
GB	2 404 863	2/2005 A61M 16/04
GB	2 413 963	11/2005 A61M 16/04
GB	2 465 453	5/2010 A61M 16/04
IE	922073	12/1993 A61M 16/00
IT	1224077	9/1990	
JP	3-236858	10/1991 A61M 16/04
JP	6/277286	10/1994 A61M 16/04
JP	2706567	1/1998 A61B 1/00
JP	2007-509154	4/2007 A61K 31/4409
TW	224047	11/2004 B29C 45/76
WO	WO 94/17848	8/1994 A61M 16/04
WO	WO 95/09665	4/1995 A61M 16/04
WO	WO 97/12640	4/1997 A61M 16/00
WO	WO 98/06276	2/1998 A23L 1/30
WO	WO 98/24498	6/1998 A61M 16/04
WO	WO 98/50096	11/1998 A61M 16/00
WO	WO 99/24101	5/1999 A61M 16/00
WO	WO 99/44665	9/1999 A61M 16/04
WO	WO 00/09189	2/2000 A61M 16/04
WO	WO 00/30706	6/2000 A61M 16/04
WO	WO 00/61213	10/2000 A61M 16/04
WO	WO 01/13980	3/2001 A61M 16/04
WO	WO 0197890	12/2001 A61M 16/00
WO	WO 02/32490	4/2002 A61M 16/04
WO	WO 03/020340	3/2003 A61M 16/04
WO	WO 03018094	3/2003 A61M 16/04
WO	WO 2004/016308	2/2004 A61M 16/04
WO	WO2004/089453	10/2004	

WO	WO 2005/016427	2/2005 A61M 16/04
WO	WO 2005/041864	5/2005 A61K 31/415
WO	WO 2011161473	12/2011 A61M 16/04

OTHER PUBLICATIONS

Office Action issued in U.S. Appl. No. 29/428,284, dated Mar. 19, 2015 (6 pgs).

Notice of Allowance issued in U.S. Appl. No. 14/315,141, dated Nov. 13, 2015 (36 pgs).

Office Action issued in U.S. Appl. No. 29/428,284, dated Nov. 10, 2015 (5 pgs).

Office Action issued in U.S. Appl. No. 29/512,932, dated Nov. 19, 2015 (19 pgs).

Notice of Allowance issued in U.S. Appl. No. 13/805,956, dated Dec. 21, 2015 (26 pgs).

“The Development of the Laryngeal Mask-a Brief History of the Invention, Early Clinical Studies and Experimental Work from Which the Laryngeal Mask Evolved” A.I.J. Brain, European Journal of Anesthesiology, 1991, Supplement 4, pp. 5-17.

PCT International Search Report, PCT Application Serial No. PCT/GB2008/050880, dated Jan. 14, 2009 (20 pgs).

Office Action issued in U.S. Appl. No. 29/353,658 dated Aug. 19, 2011 (10 pgs).

International Search Report and Written Opinion issued in Applicant’s corresponding UK Patent Application Serial No. GB0817776.8.

International Search Report and Written Opinion issued in corresponding application No. PCT/GB2011/051203, dated Jul. 12, 2011 (14 pgs).

UK Search Report issued in corresponding application No. GB1110775.2, dated Oct. 18, 2011 (8 pgs).

US Official Action dated Feb. 14, 2013, issued in U.S. Appl. No. 29/407,461 (21 pgs).

International Search Report and Written Opinion issued in corresponding application No. PCT/GB2011/051203, dated Dec. 7, 2011 (15 pgs).

Combined Search and Examination Report issued in corresponding application No. GB1110775.2, dated Oct. 18, 2011 (8 pgs).

Combined Search and Examination Report issued in corresponding application No. GB0718849.3, dated Oct. 29, 2007 (4 pgs).

Combined Search and Examination Report issued in corresponding application No. GB0502519.2, dated Sep. 13, 2005 (6 pgs).

Extended European Search Report and Written Opinion issued in corresponding EPO application No. 07019251.3, dated Feb. 1, 2008 (8 pgs).

First Office Action issued in corresponding Chinese application No. 200480023382.4, dated Aug. 22, 2008 (15 pgs).

International Search Report and Written Opinion issued in corresponding PCT application No. PCT/GB2009/051574, dated Jun. 7, 2010 (28 pgs).

Combined Search and Examination Report issued in corresponding application No. GB1019839.8, dated Dec. 1, 2010 (2 pgs).

Combined Search and Examination Report issued in corresponding application No. GB 0418050.1, dated Nov. 29, 2004 (7 pgs).

Examination Report issued in corresponding application No. 09 756 353.0-1257, dated Aug. 17, 2012 (5 pgs).

Letter from IP Australia regarding third party application for re-examination dated Sep. 21, 2011 involving corresponding application No. 2008207412 (2 pgs).

Invitation to Pay Additional Fees with International Search Report issued in corresponding application No. PCT/GB2004/003481, dated Nov. 12, 2004 (8 pgs).

Notice for Reasons for Rejection issued in corresponding Japanese application No. 2006/523053, dated Nov. 8, 2010, with English translation (4 pgs).

International Search Authority issued in corresponding PCT application PCT/GB03/03577 dated, Dec. 9, 2003 (5 pgs).

International Search Report issued in corresponding PCT application PCT/GB03/03577 dated Aug. 14, 2003 (9 pgs).

Japanese Office Action (no translation) issued in related application No. 2012-38633, dated Apr. 23, 2013 (2 pgs).

(56)

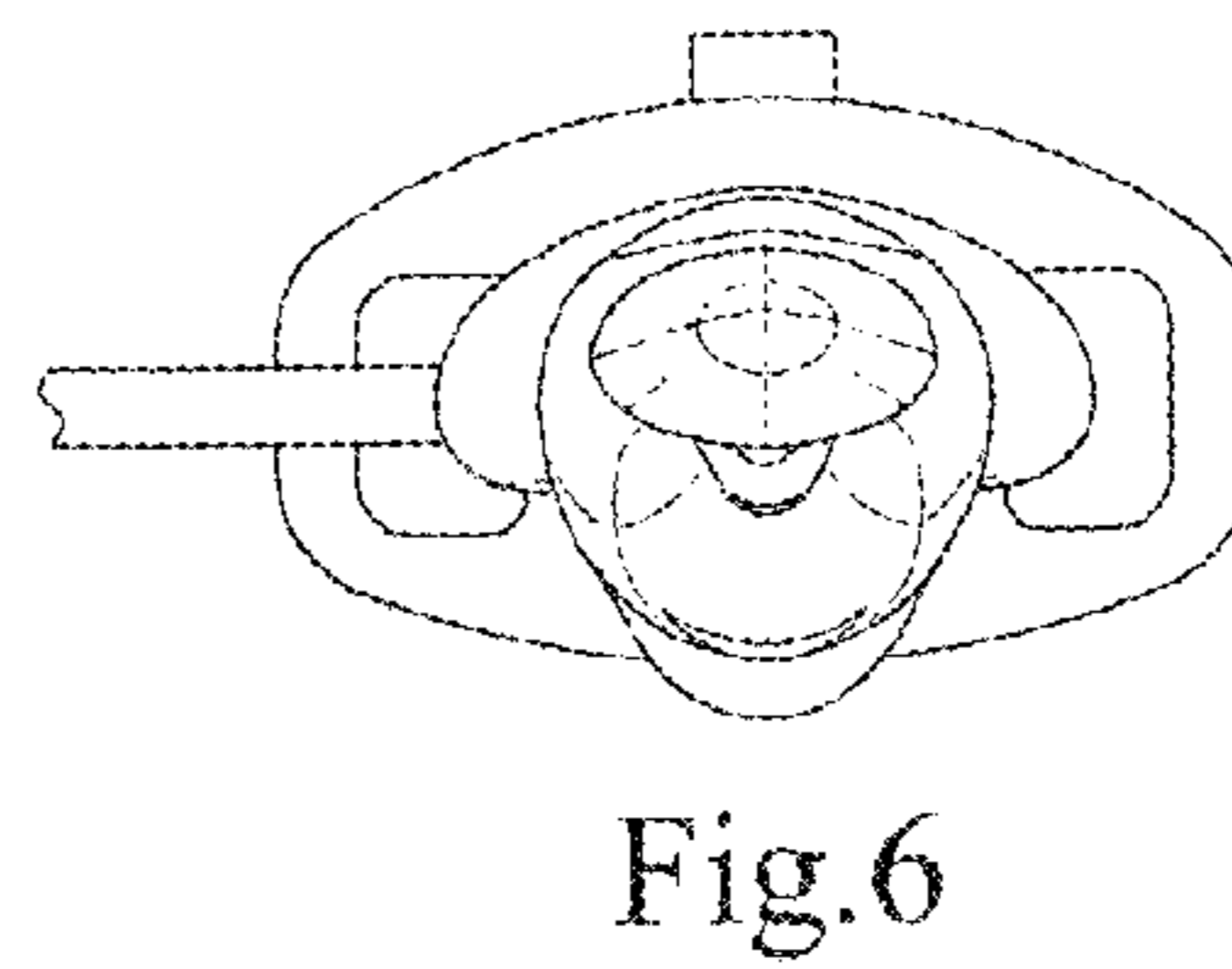
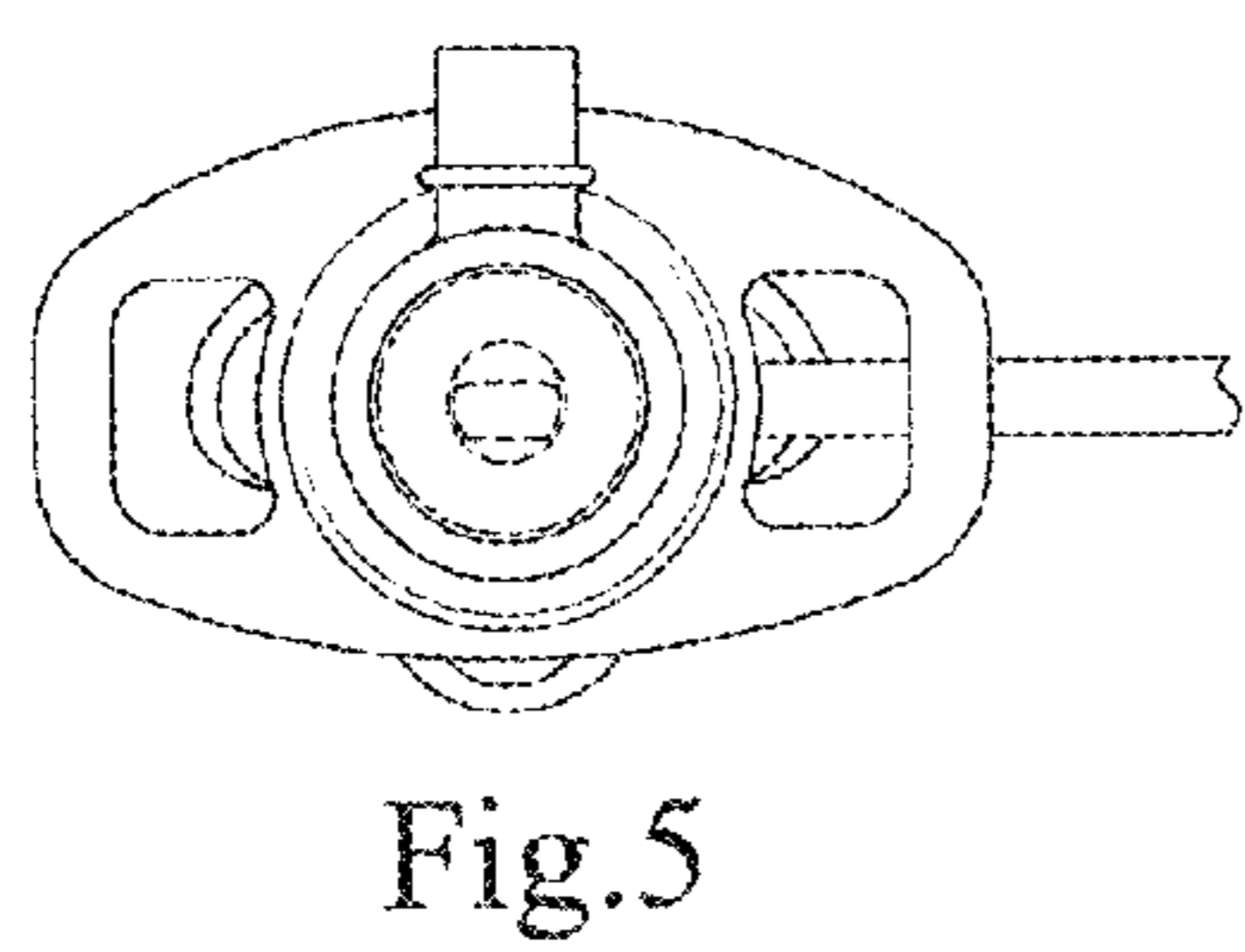
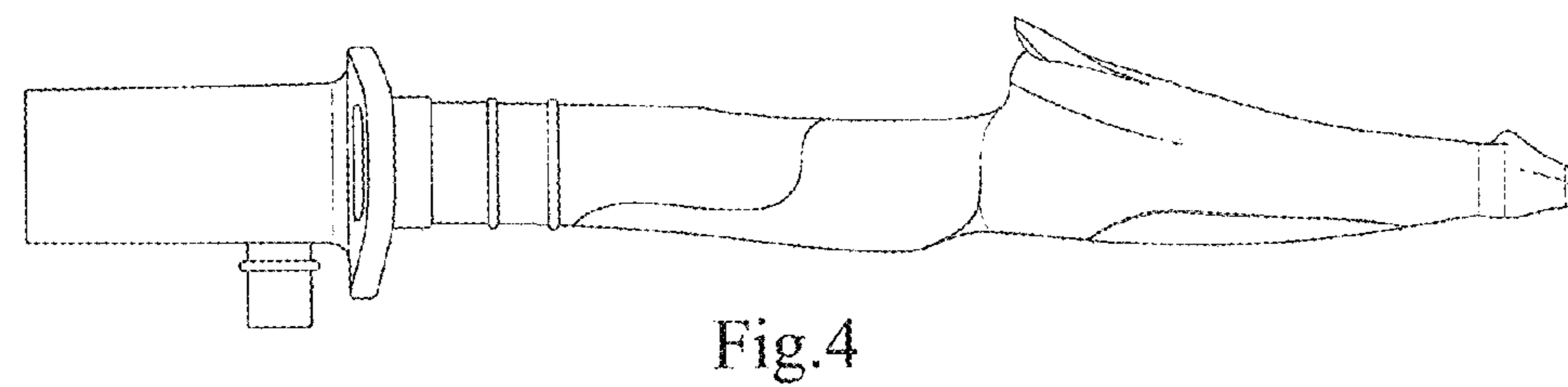
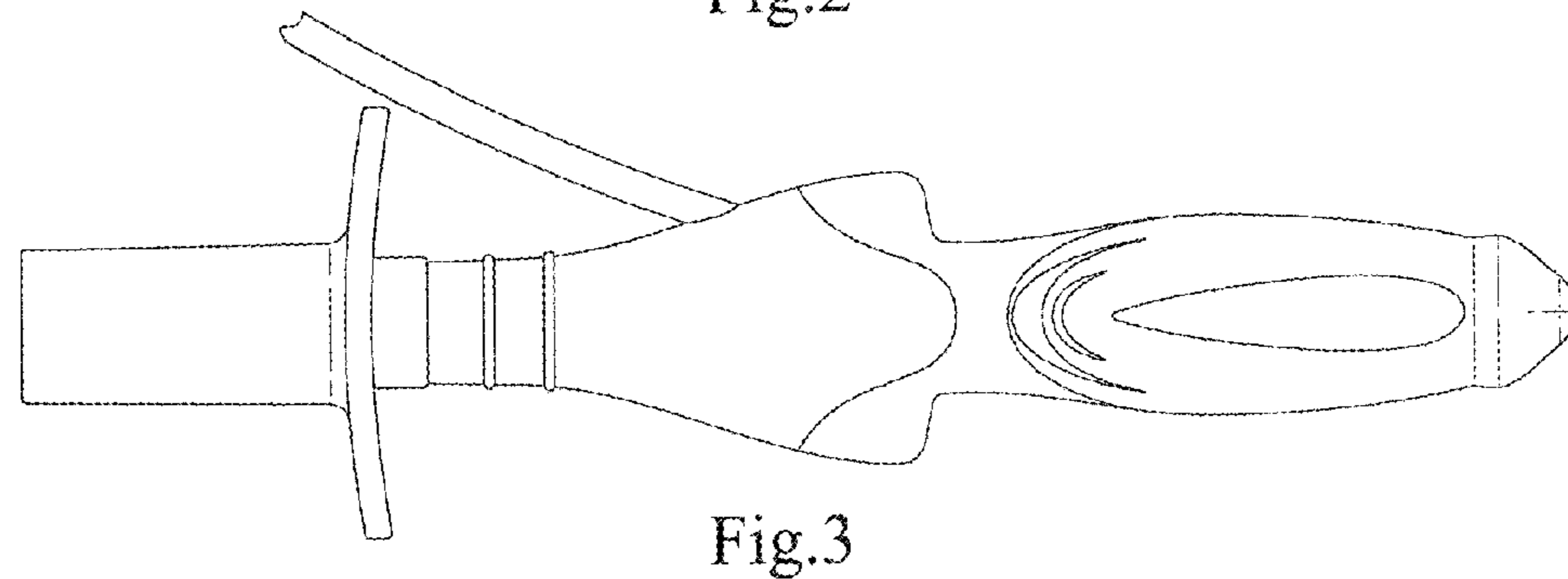
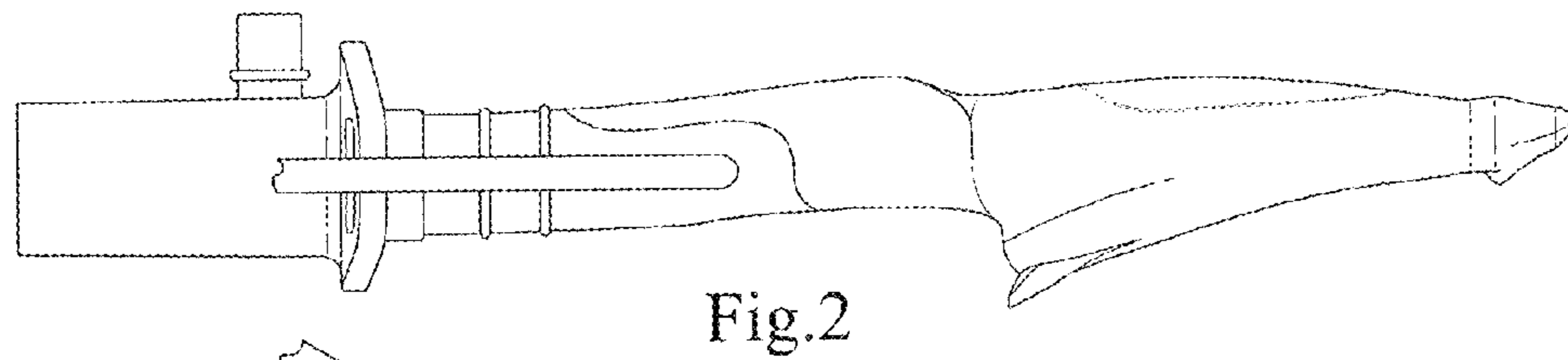
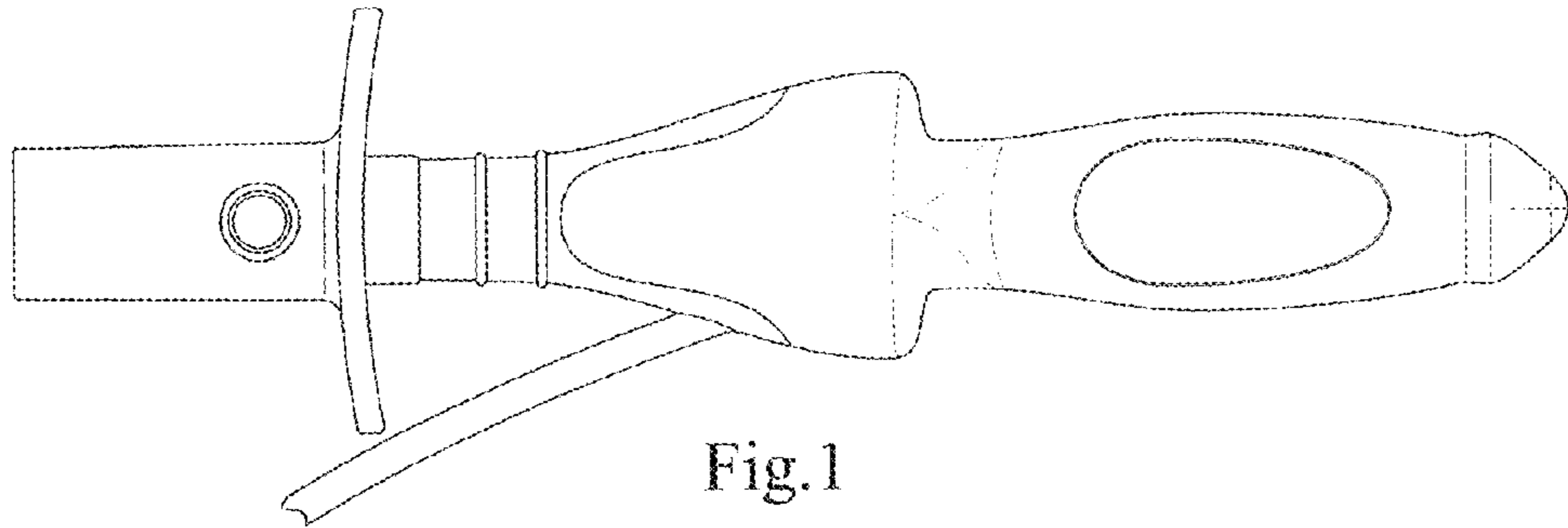
References Cited

OTHER PUBLICATIONS

Office Action issued in related U.S. Appl. No. 13/403,806, dated Apr. 25, 2013 (6 pgs).
Notice of Allowance issued in related U.S. Appl. No. 29/407,461, dated Jun. 12, 2013 (26 pgs).
Notice of Allowance issued in related U.S. Appl. No. 29/449,900, dated Jul. 24, 2013 (11 pgs).
Office Action issued in related U.S. Appl. No. 13/403,806, dated Aug. 15, 2013 (45 pgs).
Office Action issued in related U.S. Appl. No. 12/627,844, dated Feb. 28, 2014 (22 pgs).
Notice of Allowance issued in related U.S. Appl. No. 13/403,806, dated Mar. 12, 2014 (16 pgs).
Notice of Allowance issued in related U.S. Appl. No. 29/416,561, dated May 9, 2014 (7 pgs).
Office Action issued in related U.S. Appl. No. 13/130,555, dated Jun. 20, 2014 (36 pgs).
Office Action issued in related U.S. Appl. No. 29/475,489, dated Jun. 20, 2014 (25 pgs).

International Search Report and Written Opinion issued in related application No. PCT/GB2013/050180, dated May 7, 2013 (13 pgs).
Combined Search and Examination Report issued in related application No. GB1301478.2, dated May 23, 2013 (5 pgs).
Office Action issued in related U.S. Appl. No. 29/428,284, dated Oct. 6, 2014 (66 pgs).
Office Action issued in related U.S. Appl. No. 12/627,844, dated Oct. 23, 2014 (38 pgs).
Office Action issued in related U.S. Appl. No. 29/475,489, dated Dec. 4, 2014 (13 pgs).
Notice of Allowance issued in U.S. Appl. No. 29/428,284, dated Mar. 8, 2016 (17 pgs).
Notice of Allowance issued in U.S. Appl. No. 14/315,149, dated Mar. 11, 2016 (42 pgs).
Office Action issued in U.S. Appl. No. 29/512,932, dated Mar. 8, 2016 (8 pgs).
Office Action issued in U.S. Appl. No. 12/627,844, dated May 5, 2016 (33 pgs).

* cited by examiner



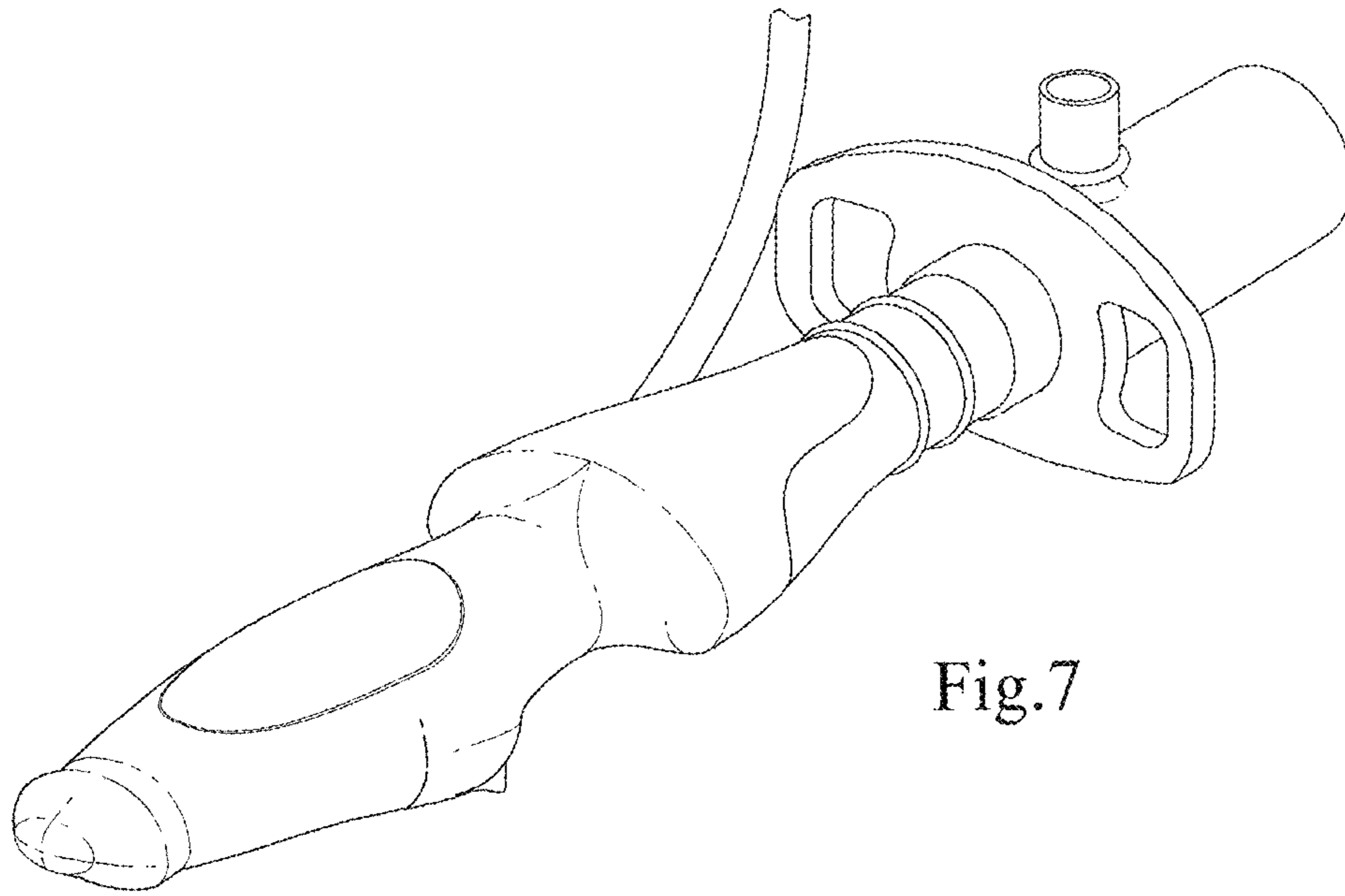


Fig.7

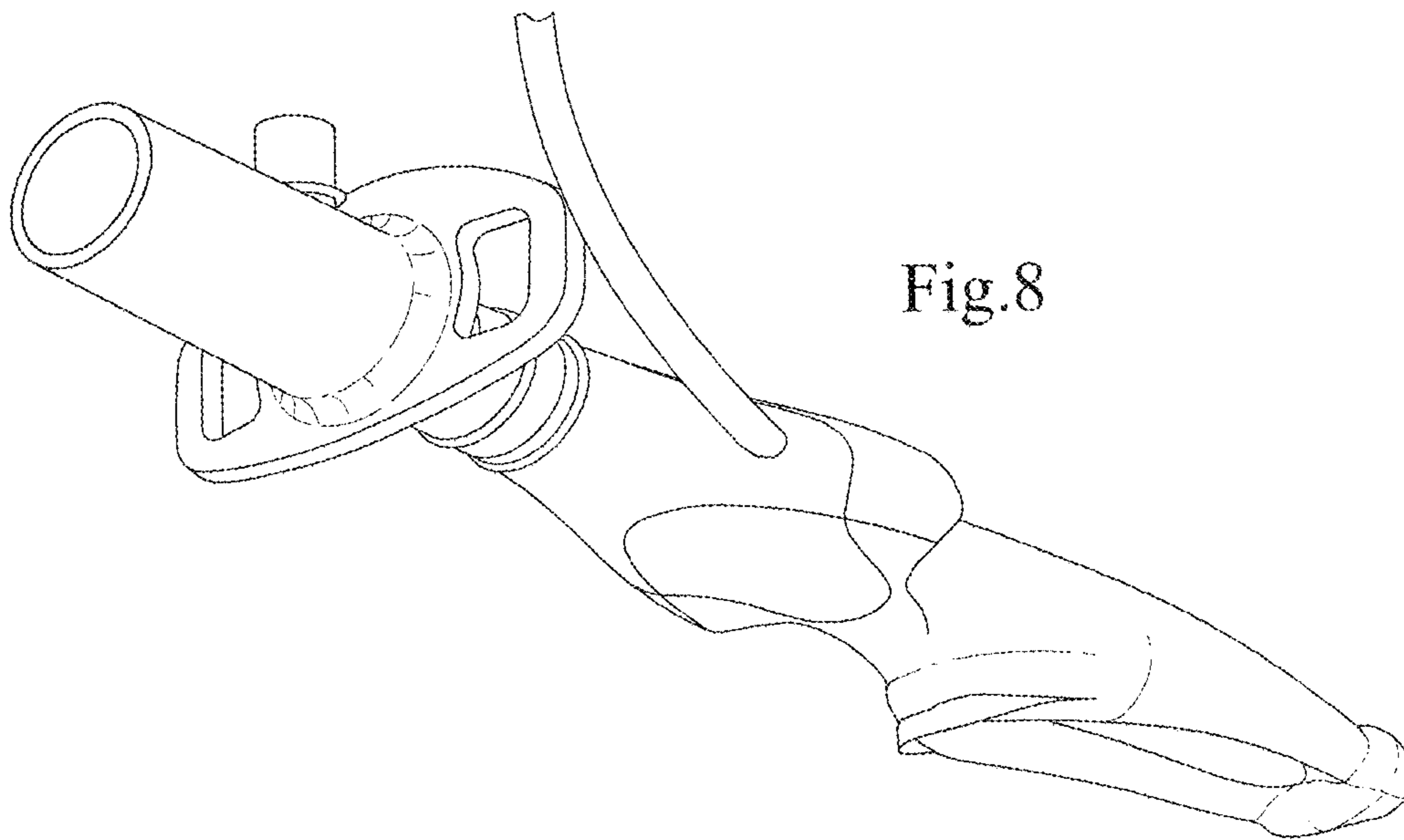


Fig.8