



US00D768845S

(12) **United States Design Patent** (10) **Patent No.:** **US D768,845 S**
Burkes (45) **Date of Patent:** **** Oct. 11, 2016**

(54) **EXPIRATORY MUSCLE STRENGTH TRAINER ADAPTER**
(71) Applicant: **M. LaQuisha Burkes**, Jackson, MS (US)
(72) Inventor: **M. LaQuisha Burkes**, Jackson, MS (US)
(**) Term: **14 Years**
(21) Appl. No.: **29/457,745**
(22) Filed: **Jun. 12, 2013**
(51) **LOC (10) Cl.** **24-02**
(52) **U.S. Cl.**
USPC **D24/110**
(58) **Field of Classification Search**
USPC D24/110-110.6
CPC A63B 23/18; A61B 5/093; A61B 5/0871;
A61B 5/087; A61B 5/097; A61M 16/0045
See application file for complete search history.

5,645,049 A * 7/1997 Foley et al. 128/203.29
5,899,832 A * 5/1999 Hougen 482/13
6,606,990 B2 * 8/2003 Stapleton et al. 128/200.18
6,612,306 B1 * 9/2003 Mault 128/204.22
6,631,716 B1 10/2003 Robinson et al.
D511,210 S * 11/2005 Cardona Burrull D24/110.5
7,004,162 B1 * 2/2006 Foley et al. 128/200.22
D556,902 S * 12/2007 Allen D24/110.5
7,861,710 B2 1/2011 Ingenito
8,118,713 B2 2/2012 Foley
8,161,966 B2 * 4/2012 Foley et al. 128/200.24
2002/0170557 A1 * 11/2002 Schmidt 128/200.23
2003/0234015 A1 * 12/2003 Bruce et al. 128/200.23

* cited by examiner

Primary Examiner — Deanna L Pratt
Assistant Examiner — Lilyana Bekic
(74) *Attorney, Agent, or Firm* — Kirk A. Buhler; Buhler & Associates

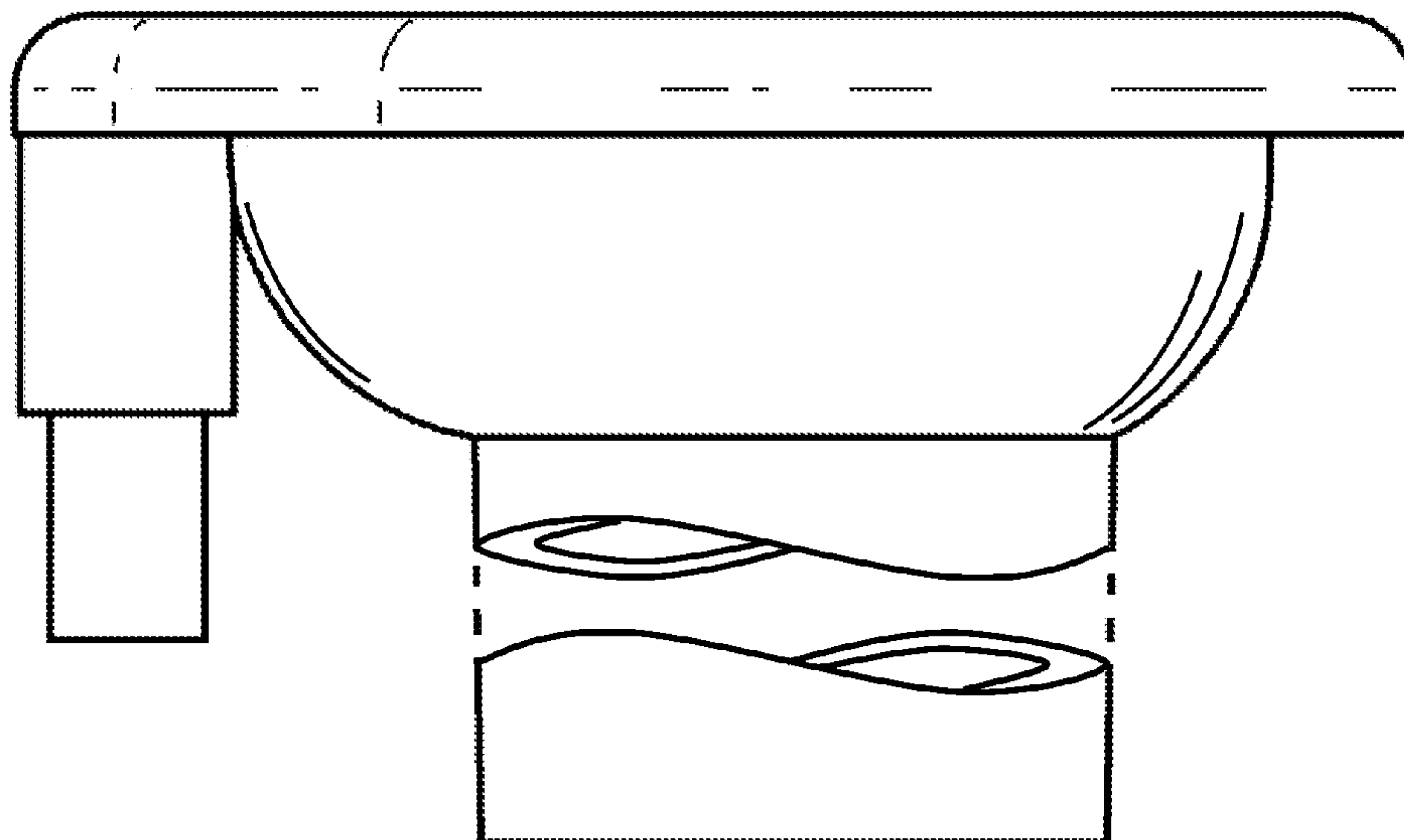
(57) **CLAIM**
The ornamental design for an expiratory muscle strength trainer adapter, as shown and described.

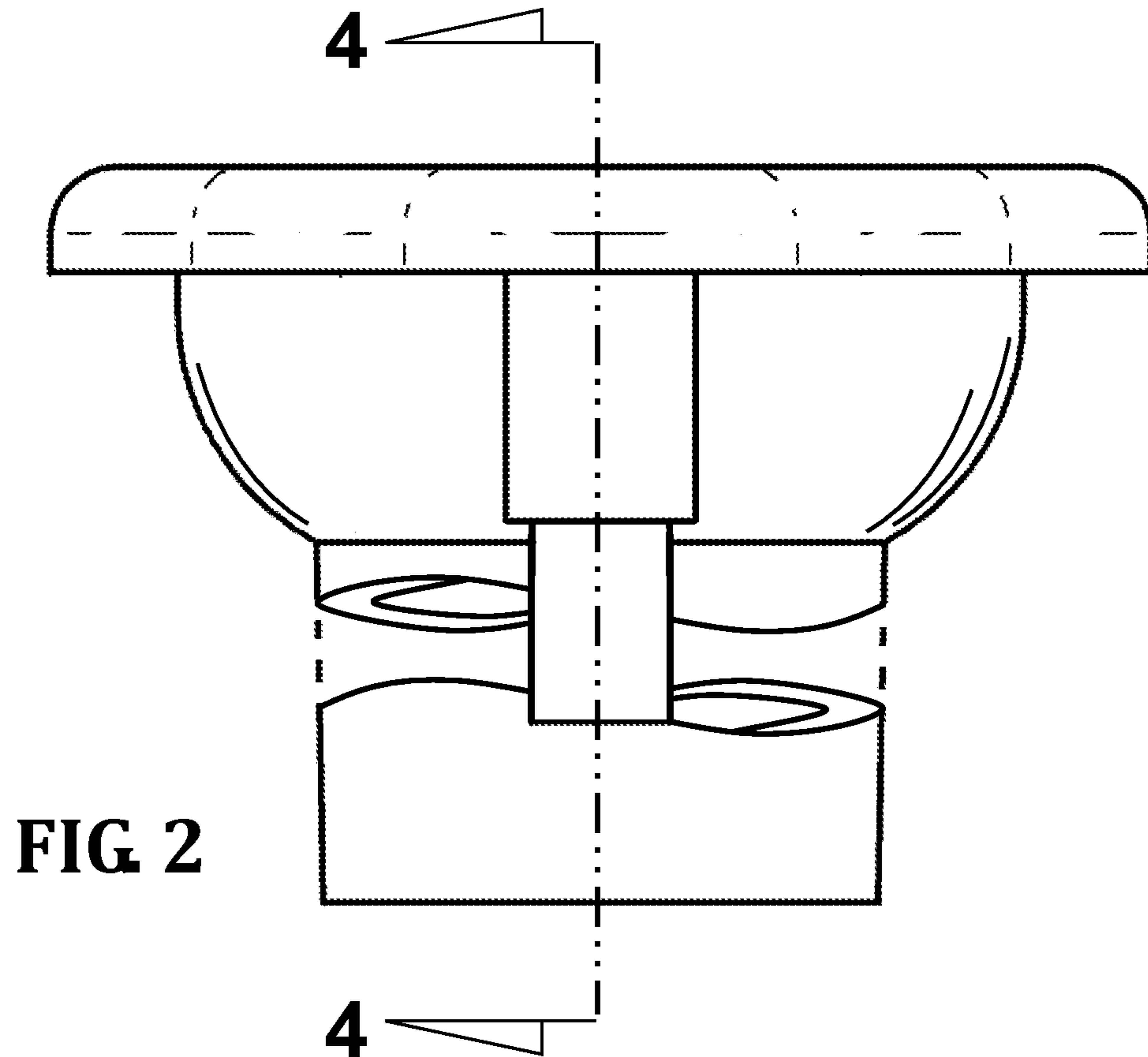
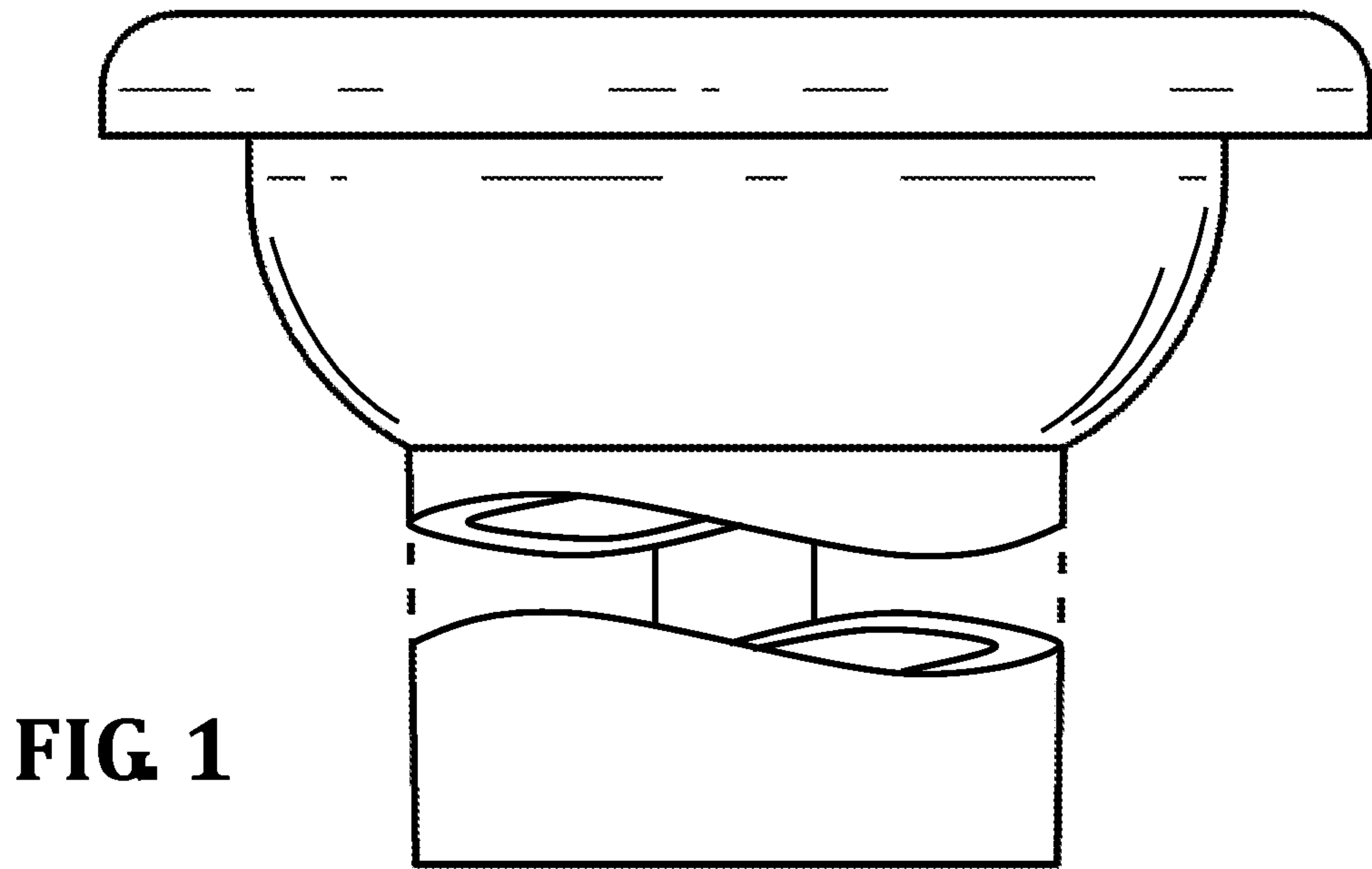
DESCRIPTION

FIG. 1 is a top side view thereof;
FIG. 2 is a bottom side view thereof;
FIG. 3 is a left side view, the right side view being a mirror image thereof;
FIG. 4 is a side sectional view taken along lines 5-5 from FIG. 3 thereof;
FIG. 5 is a front view thereof; and,
FIG. 6 is a rear side view.
The break lines indicate that the appearance of any portion of the expiratory muscle strength trainer adapter between the break lines forms no part of the claimed design.

1 Claim, 3 Drawing Sheets

(56) **References Cited**
U.S. PATENT DOCUMENTS
2,007,330 A * 7/1935 Hicks 128/203.28
3,511,228 A * 5/1970 Lundgren et al. 601/41
3,664,337 A * 5/1972 Lindsey et al. 128/200.18
3,880,591 A * 4/1975 Burroughs 600/529
D242,489 S * 11/1976 Burroughs D24/110
D254,324 S 2/1980 Thead, Jr.
D254,443 S 3/1980 Adams
4,221,381 A 9/1980 Ericson
D263,166 S * 2/1982 Bushman D24/110
D266,695 S * 10/1982 Trammll et al. D24/110
D269,124 S 5/1983 McCombs et al.
4,832,015 A * 5/1989 Nowacki et al. 128/205.23
4,854,574 A 8/1989 Larson et al.





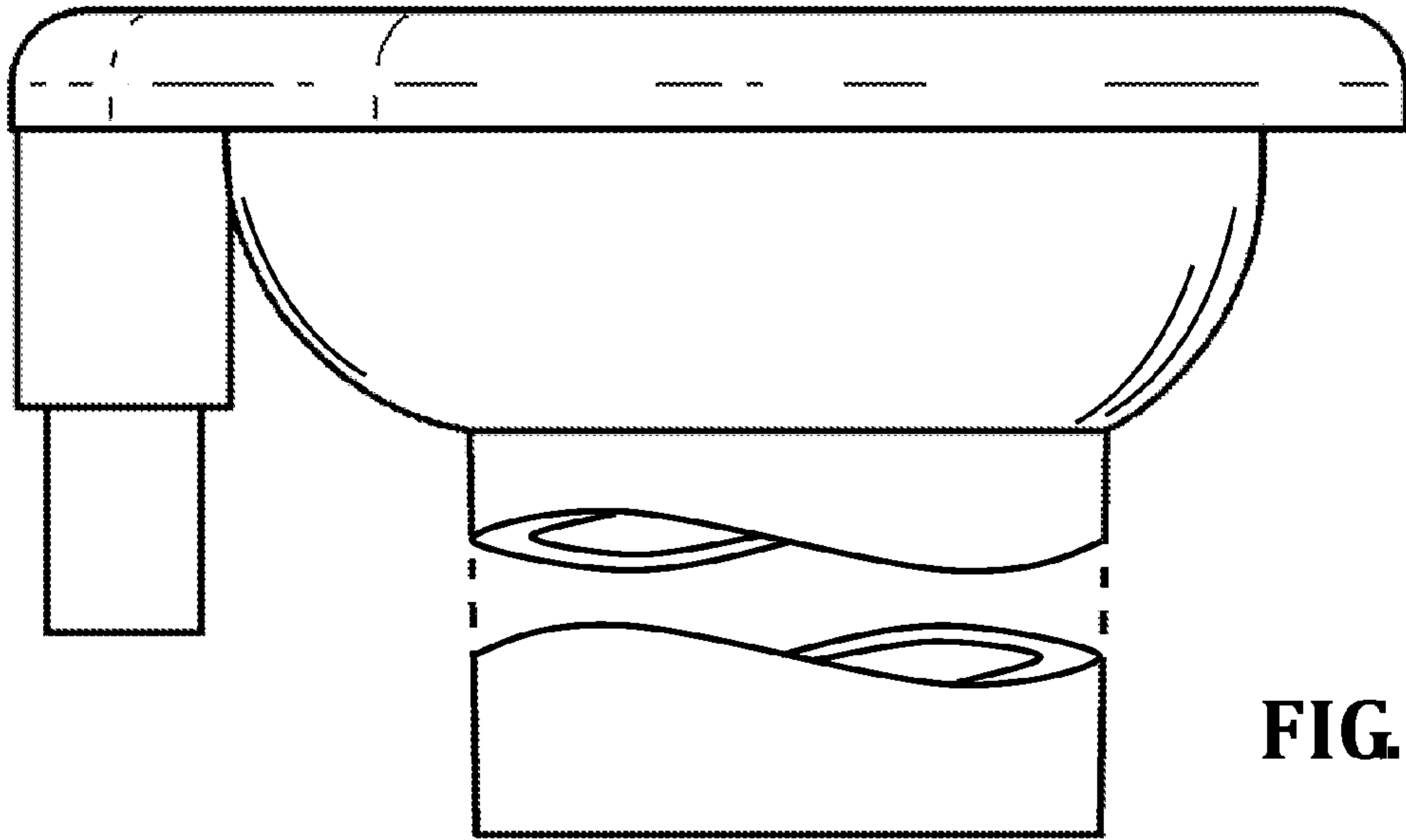


FIG. 3

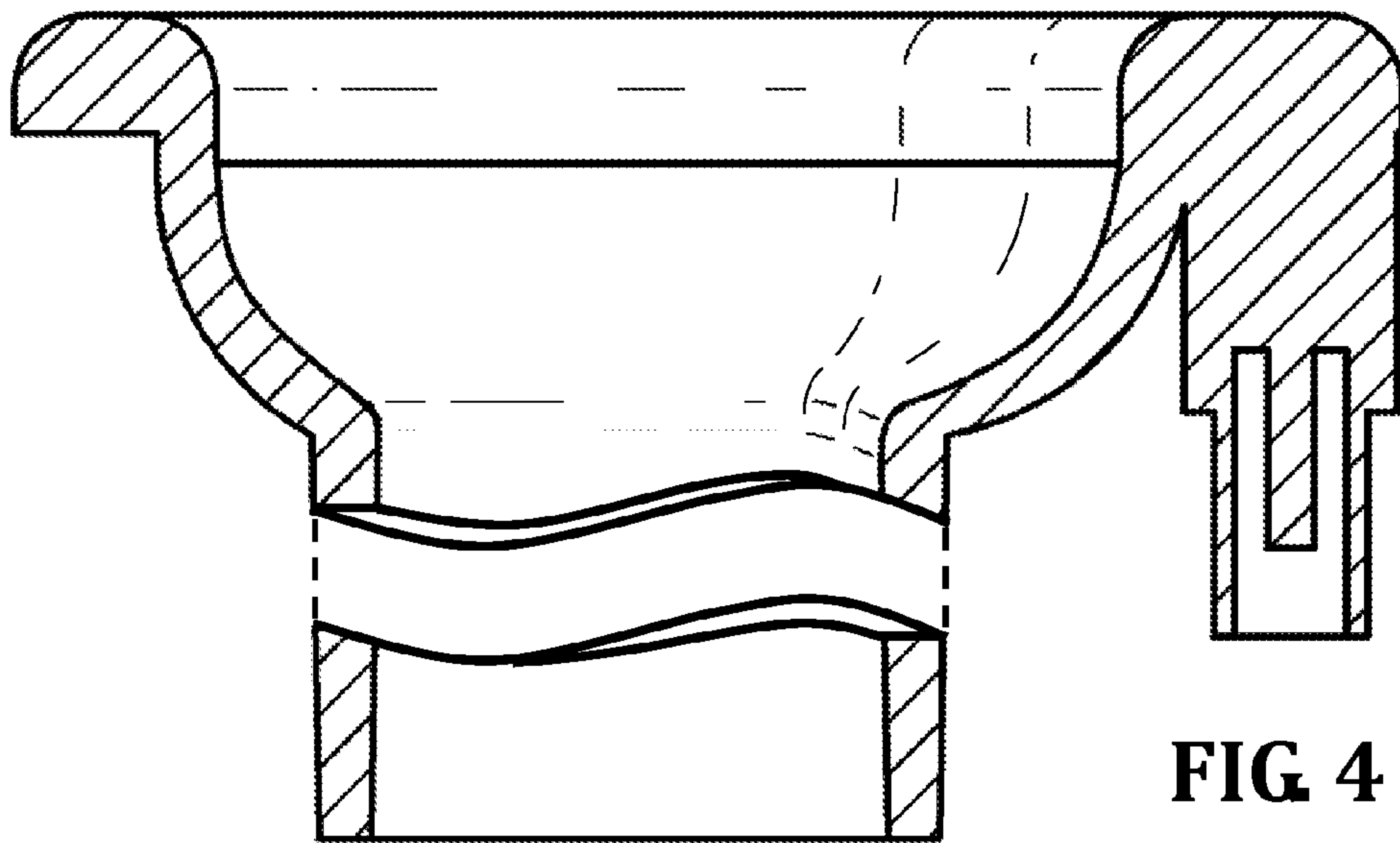


FIG. 4

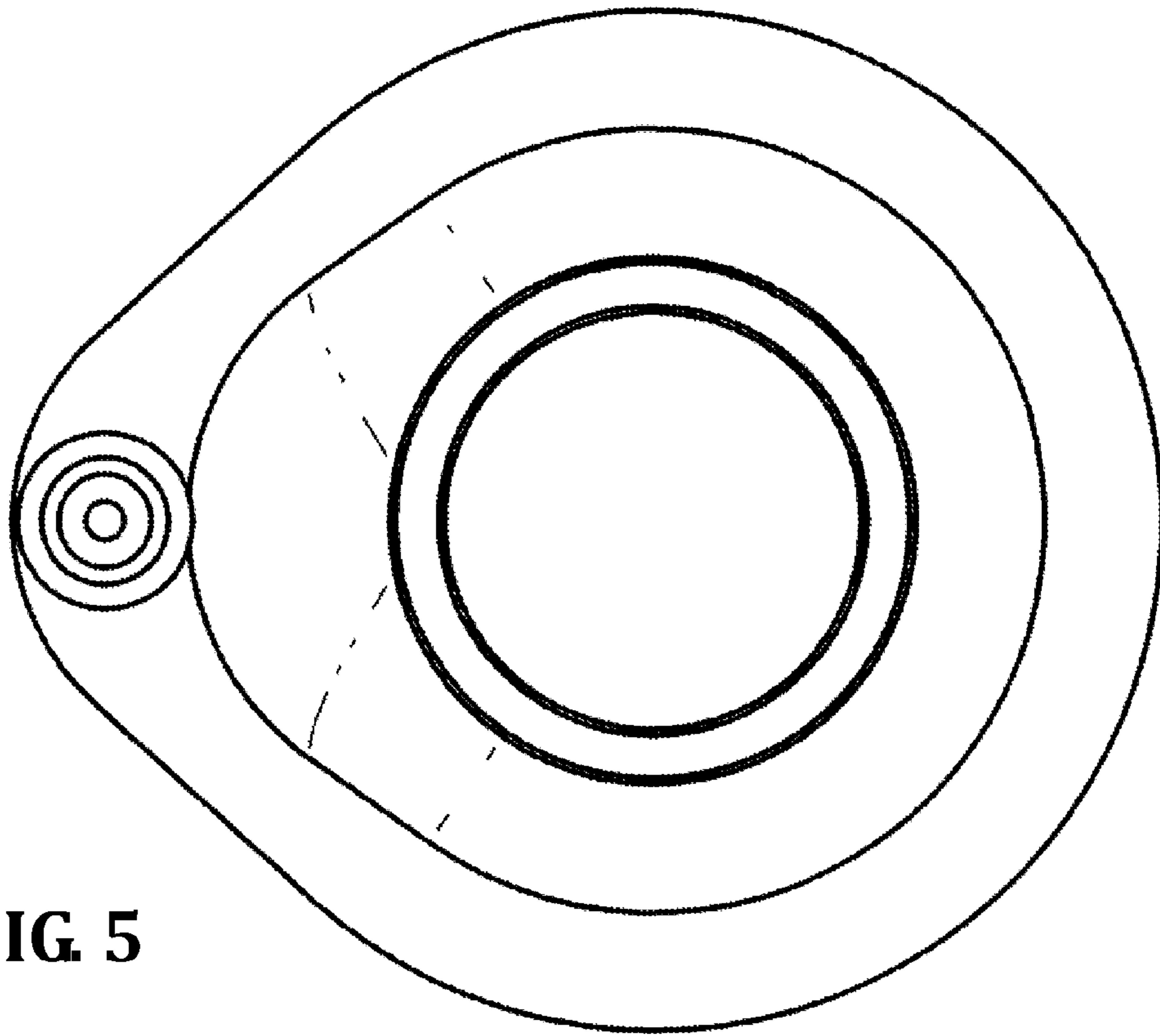


FIG. 5

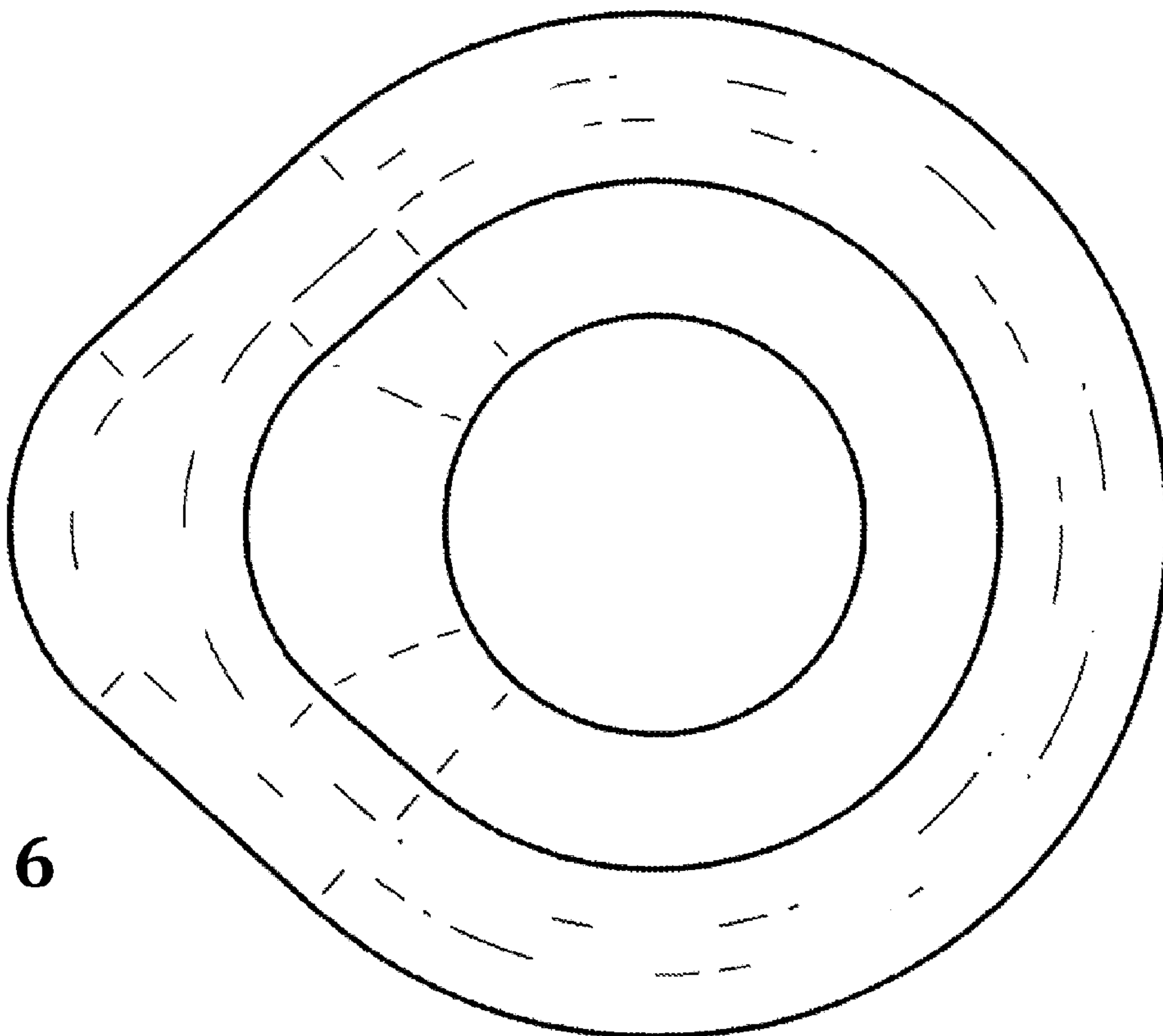


FIG. 6