

US00D768839S

(12) **United States Design Patent**  
**Peet et al.**

(10) **Patent No.:** **US D768,839 S**  
(45) **Date of Patent:** **\*\* Oct. 11, 2016**

- (54) **FAN**
- (71) Applicant: **Dyson Technology Limited**, Wiltshire (GB)
- (72) Inventors: **Steven Eduard Peet**, Bristol (GB);  
**Jack Johnson**, Stoke-on-Trent (GB);  
**Leanne Joyce Garner**, Bristol (GB);  
**Adam James Bates**, Oxford (GB);  
**Peter David Gammack**, Swindon (GB);  
**Andrea Ee-Va Lim**, Bristol (GB);  
**Jonathan George Marsh**, Swindon (GB)
- (73) Assignee: **Dyson Technology Limited**, Malmesbury, Wiltshire (GB)
- (\*\*) Term: **15 Years**
- (21) Appl. No.: **29/534,741**
- (22) Filed: **Jul. 30, 2015**

8,783,663	B2 *	7/2014	Fitton	.....	F24F 1/01 261/116
8,932,028	B2 *	1/2015	Fitton	.....	F04D 25/08 239/568
D728,092	S *	4/2015	Poulton	.....	D23/342
9,004,858	B2 *	4/2015	Nicolas	.....	F04D 25/08 415/220
D728,769	S *	5/2015	Dyson	.....	D23/342
D729,372	S *	5/2015	McPherson	.....	D23/370
D729,925	S *	5/2015	McPherson	.....	D23/370
9,366,449	B2 *	6/2016	Staniforth	.....	F04F 5/16
2009/0060710	A1 *	3/2009	Gammack	.....	F04D 25/06 415/90
2010/0225012	A1 *	9/2010	Fitton	.....	F24F 1/01 261/116
2010/0226752	A1 *	9/2010	Gammack	.....	F04D 25/08 415/90
2010/0226769	A1 *	9/2010	Helps	.....	F04D 25/08 415/208.1
2010/0226771	A1 *	9/2010	Crawford	.....	F04D 25/08 415/230
2010/0226797	A1 *	9/2010	Fitton	.....	F04D 25/08 417/313
2010/0226801	A1 *	9/2010	Gammack	.....	F04F 5/16 417/423.1

(Continued)

- (30) **Foreign Application Priority Data**  
Jan. 30, 2015 (EM) ..... 001429252-0002
- (51) **LOC (10) Cl.** ..... **23-04**
- (52) **U.S. Cl.**  
USPC ..... **D23/370**
- (58) **Field of Classification Search**  
USPC ..... D23/370, 355, 314, 414; 415/121.1  
CPC .. F04D 29/329; F04D 29/526; F04D 25/082;  
F04D 29/325; F04D 29/703; F04D 29/547  
See application file for complete search history.

*Primary Examiner* — Cynthia Underwood  
(74) *Attorney, Agent, or Firm* — Morrison & Foerster LLP

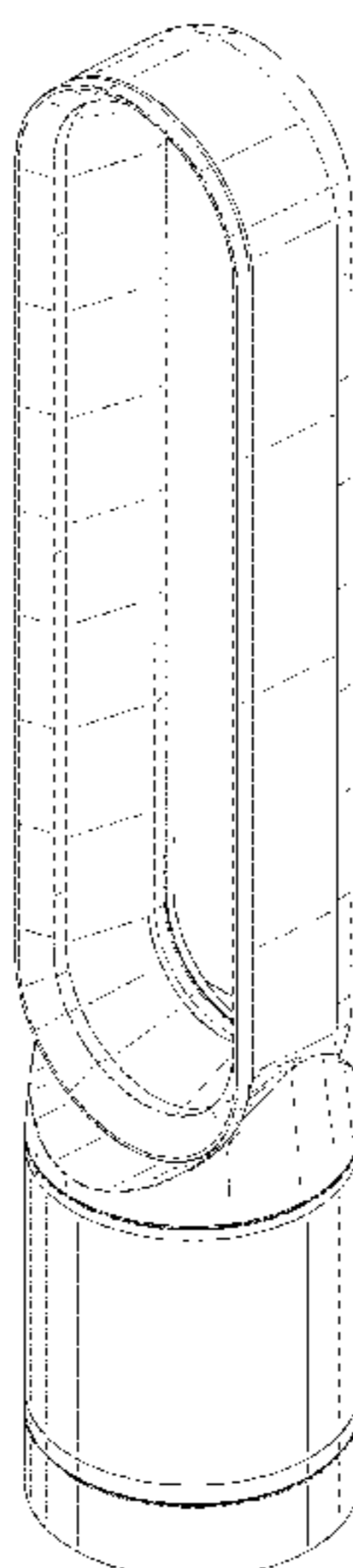
(57) **CLAIM**  
We claim the ornamental design for a fan, as shown and described.

**DESCRIPTION**

FIG. 1 is a perspective view of a fan showing our new design;  
FIG. 2 is a front view thereof;  
FIG. 3 is a back view thereof;  
FIG. 4 is a side view thereof;  
FIG. 5 is a side view of the opposite side of FIG. 4;  
FIG. 6 is a top view thereof; and,  
FIG. 7 is a bottom view thereof.  
The boundary lines represent the bounds of the claim.

- (56) **References Cited**  
U.S. PATENT DOCUMENTS  
D598,532 S \* 8/2009 Dyson ..... D23/370  
D602,144 S \* 10/2009 Dyson ..... D23/370  
D638,114 S \* 5/2011 Li ..... D23/370  
D643,098 S \* 8/2011 Wallace ..... D23/342  
D672,023 S \* 12/2012 Wallace ..... D23/332

**1 Claim, 6 Drawing Sheets**



(56)

References Cited

U.S. PATENT DOCUMENTS

2011/0110805	A1 *	5/2011	Gammack .....	F04D 25/08 417/423.1	2013/0249124	A1 *	9/2013	Staniforth .....	F24F 3/16 261/128
2012/0031509	A1 *	2/2012	Wallace .....	F04D 15/0218 137/338	2013/0249126	A1 *	9/2013	Staniforth .....	F24F 13/26 261/141
2012/0033952	A1 *	2/2012	Wallace .....	F04D 25/08 392/367	2013/0272858	A1 *	10/2013	Stickney .....	F04D 25/08 415/182.1
2012/0034108	A1 *	2/2012	Wallace .....	F04D 25/08 417/313	2013/0280061	A1 *	10/2013	Stickney .....	F04D 25/08 415/211.2
2013/0028763	A1 *	1/2013	Staniforth .....	F04D 25/08 417/423.5	2013/0309065	A1 *	11/2013	Johnson .....	F04D 29/665 415/119
2013/0028766	A1 *	1/2013	Staniforth .....	F04F 5/16 417/423.14	2013/0309080	A1 *	11/2013	Johnson .....	F04D 29/665 415/208.1
2013/0129490	A1 *	5/2013	Dos Reis .....	F24F 7/007 415/182.1	2013/0323100	A1 *	12/2013	Poulton .....	F04F 5/16 417/423.14
2013/0142676	A1 *	6/2013	Zou .....	F04F 5/16 417/313	2013/0336771	A1 *	12/2013	Dyson .....	F04D 25/08 415/126
2013/0234346	A1 *	9/2013	Staniforth .....	F04F 5/16 261/72.1	2014/0017069	A1 *	1/2014	Peters .....	F04D 29/462 415/126
2013/0234347	A1 *	9/2013	Staniforth .....	F24F 1/01 261/78.2	2014/0077398	A1 *	3/2014	Staniforth .....	F04F 5/16 261/32
2013/0249122	A1 *	9/2013	Staniforth .....	F04F 5/16 261/78.2	2014/0084492	A1 *	3/2014	Staniforth .....	F04D 25/08 261/31
					2014/0210114	A1 *	7/2014	Staniforth .....	F04D 25/08 261/30
					2014/0210115	A1 *	7/2014	Staniforth .....	F24F 13/26 261/78.2

\* cited by examiner

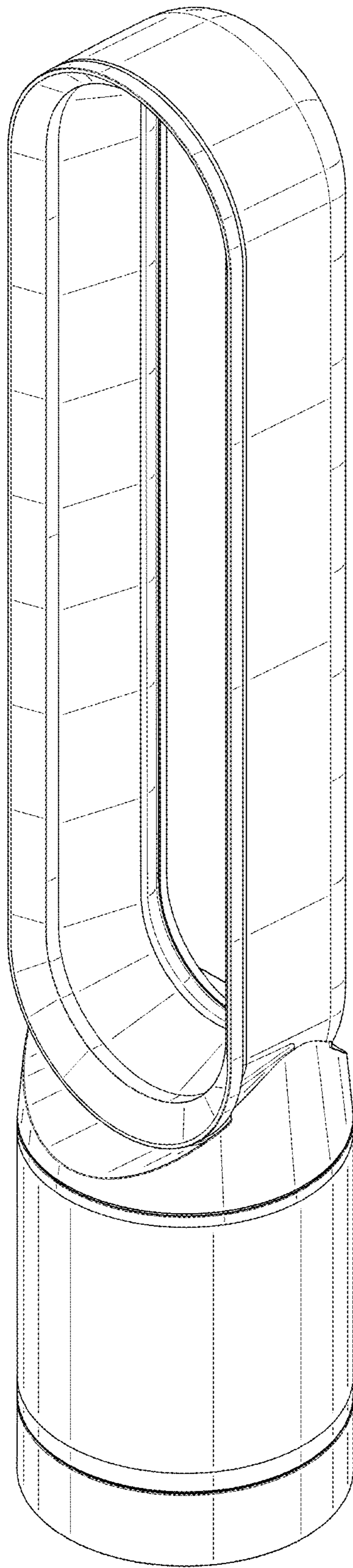


FIG. 1

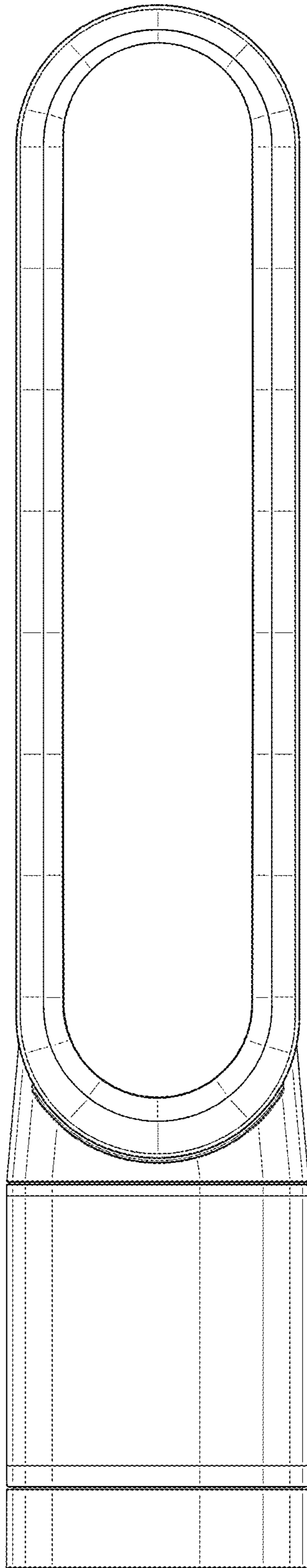


FIG. 2

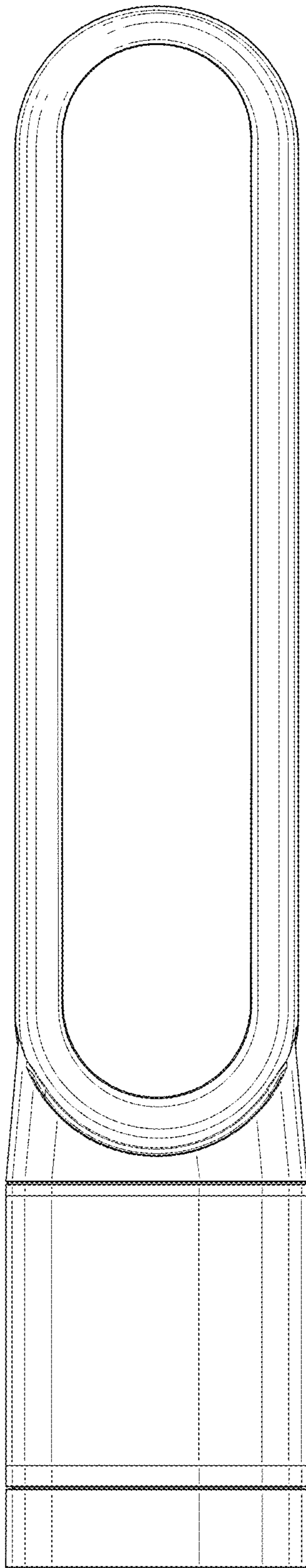


FIG. 3



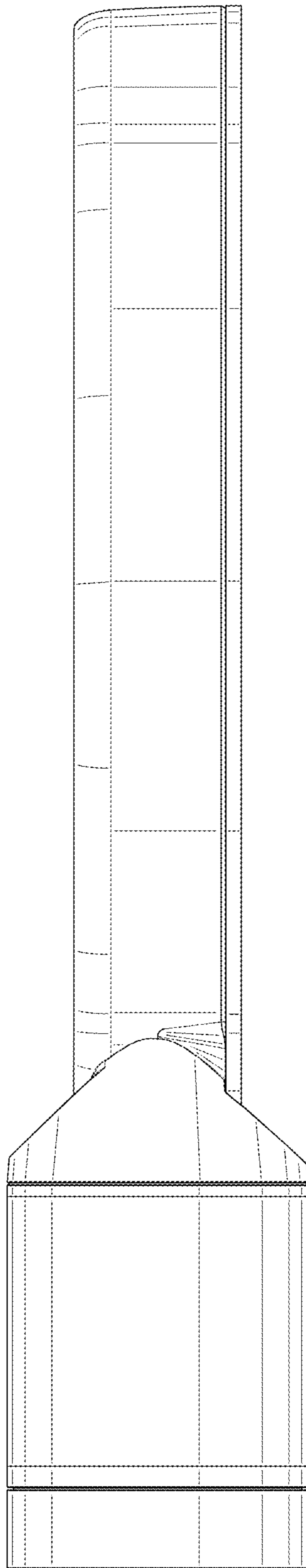


FIG. 4

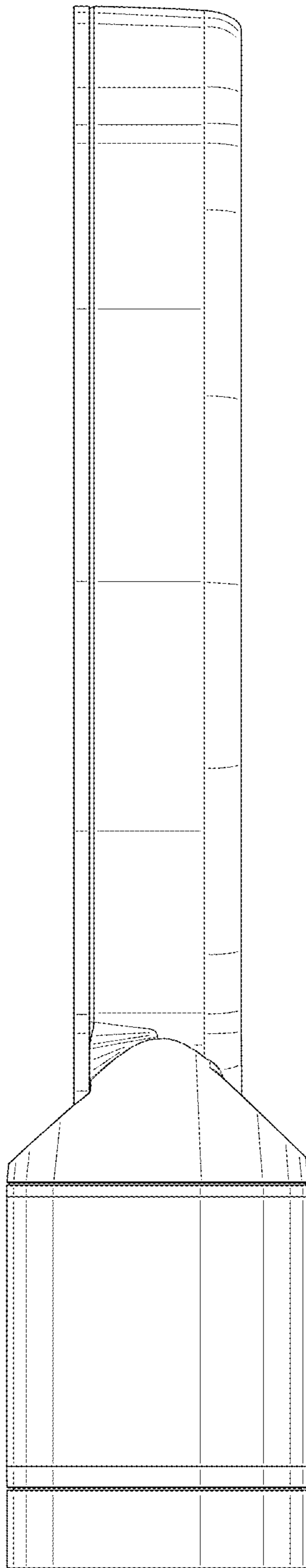


FIG. 5

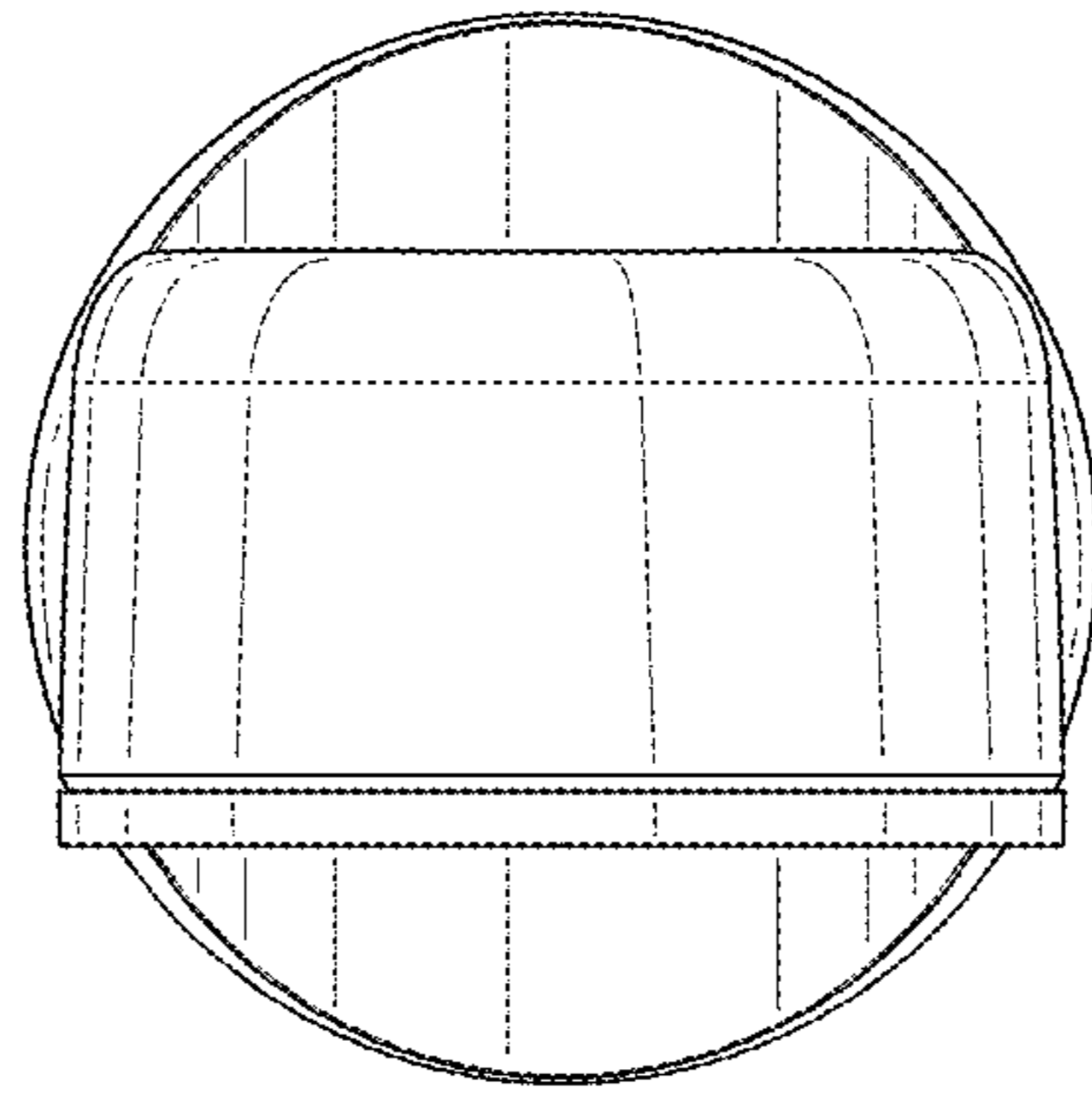


FIG. 6

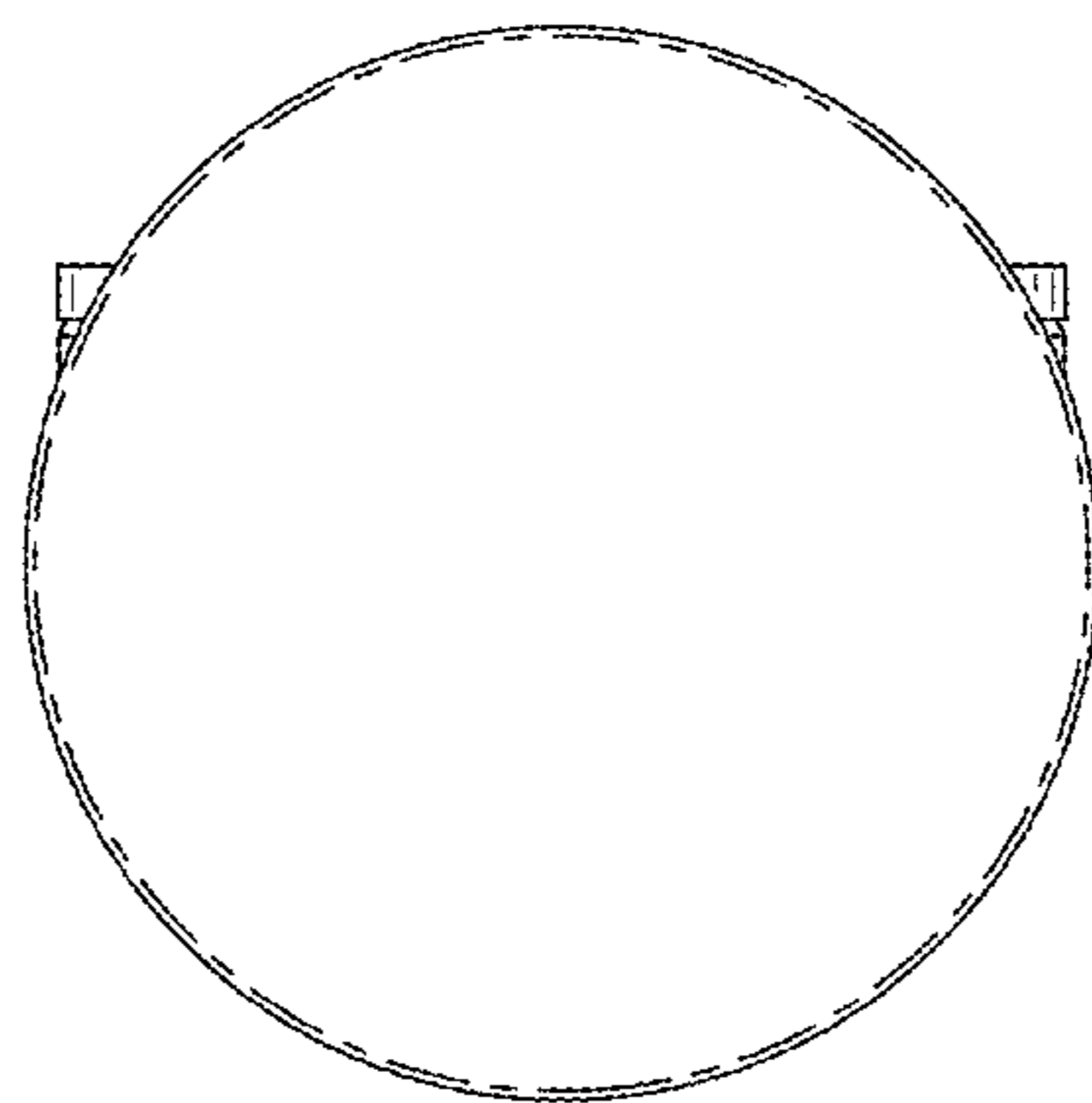


FIG. 7