



US00D768838S

(12) **United States Design Patent** (10) **Patent No.:** **US D768,838 S**
Ritch (45) **Date of Patent:** **** Oct. 11, 2016**

(54) **COOLING FAN** 4,899,645 A * 2/1990 Wolfe B60H 1/00428
454/131
(71) Applicant: **JOBAR INTERNATIONAL, INC.,** D324,907 S * 3/1992 Cook D23/328
Carson, CA (US) D326,318 S * 5/1992 Coup D23/335
D349,570 S * 8/1994 Radtke, Jr. D23/381
(72) Inventor: **Stephen Jeffrey Ritch,** Huntington D384,733 S * 10/1997 Jane D23/328
Beach, CA (US) D384,734 S * 10/1997 Ellwood D23/335
D387,153 S * 12/1997 Fok D23/332

(Continued)

(73) Assignee: **Jobar International, Inc.,** Carson, CA
(US)

(**) Term: **14 Years**

(21) Appl. No.: **29/510,393**

(22) Filed: **Nov. 26, 2014**

(51) **LOC (10) Cl.** **23-04**

(52) **U.S. Cl.**

USPC **D23/370; D23/379; D23/324**

(58) **Field of Classification Search**

USPC D23/370-373, 376, 377, 379, 381-385,
D23/388, 411-414, 324, 328, 330, 332, 335,
D23/353-355, 499; D21/455, 458; 416/62,
416/93 R, 100, 180, 182, 189, 190, 204 R,
416/219 R, 220 R, 244 R, 246, 247 R, 223 R;
D13/175, 179; 310/67 R; 417/369,
417/423.7

CPC .. F04D 29/325; F04D 29/326; F04D 29/329;
F04D 29/384; F04D 29/386; F04D 29/28;
F04D 29/281; F04D 29/282; F04D 29/284;
F04D 29/663; F04D 29/646; F04D 29/701;
F04D 29/703; F04D 29/526; F04D 29/547;
F04D 25/08; F04D 25/082; F04D 25/084;
F04D 25/068; B60H 1/00428

See application file for complete search history.

(56) **References Cited**

U.S. PATENT DOCUMENTS

D86,776 S * 4/1932 Klomparens D23/388
D104,096 S * 4/1937 Friedman D23/370
2,100,439 A * 11/1937 Friedman F04D 29/526
248/638
D112,881 S * 1/1939 Kruck D23/353

OTHER PUBLICATIONS

CN 303468699—Solar energy automobile cooling fan (INV Gao hanbo)(Design -© Questel). orbit.com [online PDF] 4 pages. Publish date: Nov. 25, 2015 [retrieved on Jan. 19, 2016]. Retrieved from Internet: <http://sobjprd.questel.fr/export/QPTUJ214/pdf2/b524222f-0388-4530-b67a-ea800eae43eb-201444.pdf>.*

(Continued)

Primary Examiner — Susan Bennett Hattan

Assistant Examiner — Marie Fast Horse

(74) *Attorney, Agent, or Firm* — Lewis Roca Rothgerber Christie LLP

(57)

CLAIM

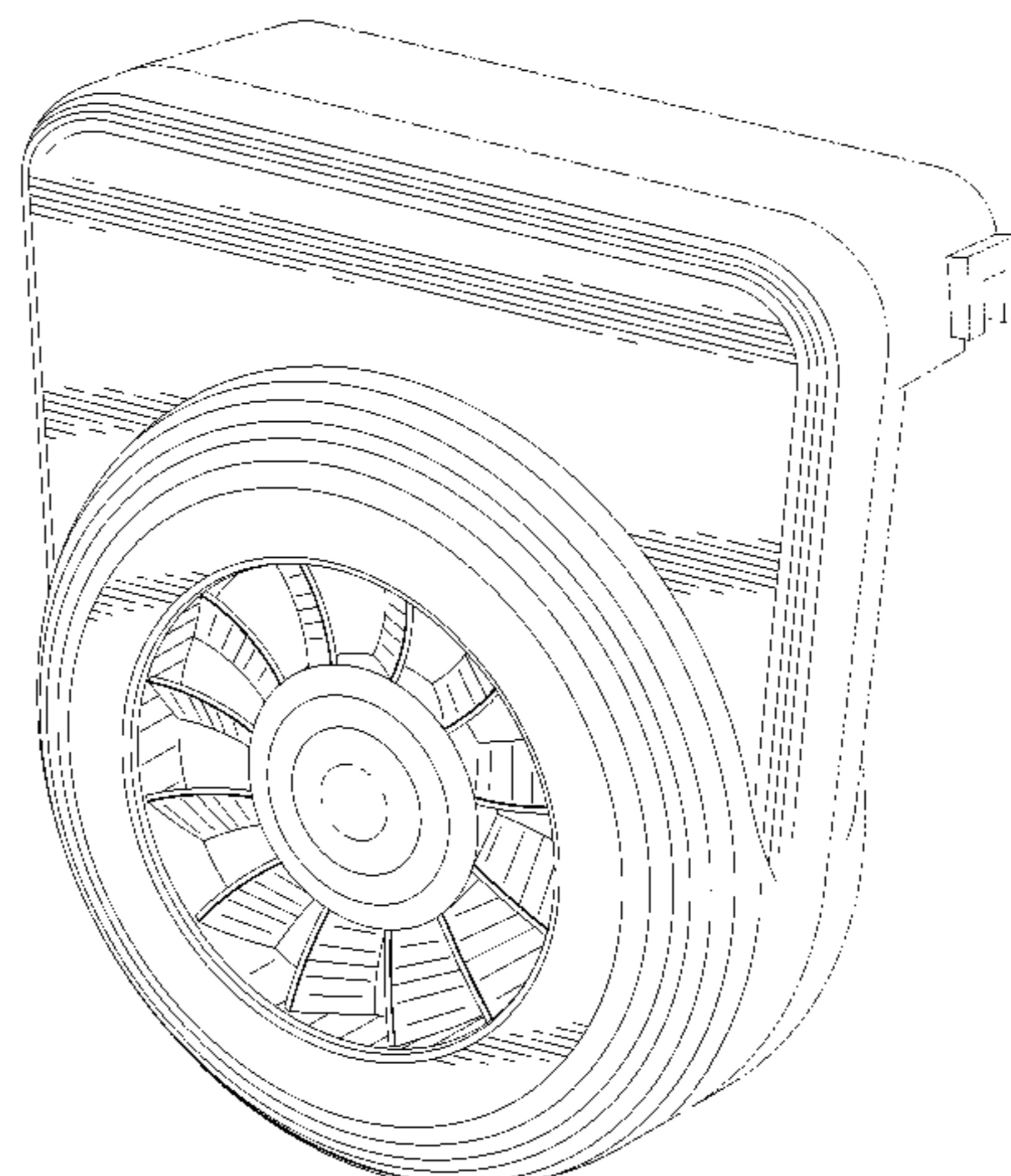
The ornamental design for cooling fan, as shown and described.

DESCRIPTION

FIG. 1 is a front perspective view of a cooling fan design; FIG. 2 is a front view thereof; FIG. 3 is a right side view thereof, the left side being a mirror image; FIG. 4 is a rear view thereof; FIG. 5 is a top view thereof; and, FIG. 6 is a bottom view thereof.

The broken lines consisting of a large dash and two small dashes define the boundary of the claim, which extends to the boundary but does not include the boundary. All other broken lines are for illustrative purposes only and form no part of the claimed design.

1 Claim, 5 Drawing Sheets



(56)

References Cited

U.S. PATENT DOCUMENTS

D387,422 S * 12/1997 Radtke D23/328
D440,883 S * 4/2001 Wilson, Jr. D10/2
D458,361 S * 6/2002 Melwani D23/379
D459,460 S * 6/2002 Melwani D23/370
D465,543 S * 11/2002 Bertani D22/123
D529,166 S * 9/2006 Geringer D23/379
D546,436 S * 7/2007 Chen D23/382
D546,933 S * 7/2007 Chen D23/382
D563,332 S * 3/2008 Kitchens D13/179
D565,721 S * 4/2008 Chen D23/382
D597,195 S * 7/2009 Zhuang D23/411
D610,672 S * 2/2010 Xiao D23/382
D665,896 S * 8/2012 Yen D23/379
2002/0197188 A1* 12/2002 Lua B01F 3/022
422/124
2013/0052000 A1* 2/2013 Su F04D 29/703
415/200
2013/0108481 A1* 5/2013 Hoye F04D 25/084
417/234

OTHER PUBLICATIONS

Auto Solar Car Fan Set of Two, Solar Powers Auto Fan, and Auto Cool, Publication Date: Unknown; Advertisements; 1 Page.
O2COOL, cool by design; *Portable Plus Fans*; http://www.o2-cool.com/search-results?search_term=portable+plus+fan (website); Publication Unknown; Last Printed Apr. 6, 2015; 2 Pages.
Dreamking Fashion Store; 1W Solar Powered Car solar Auto Cool Fan/Car Air Ventilation System Car Cooler Cooling Fan Auto fan; AliExpress; Webpage; Publication Date: Unknown.
Solar Powered Car Auto Cool Air Vent Cooler Cooling Fan; AliExpress; Webpage; Publication Date: Unknown.
Sportsman's Guide; Auto Vent SPV; Webpage; Publication Date: Unknown.
Spring; Kulcar cools your car; Webpage; www.inhouseling.com; Publication Date: Unknown.

* cited by examiner

FIG. 1

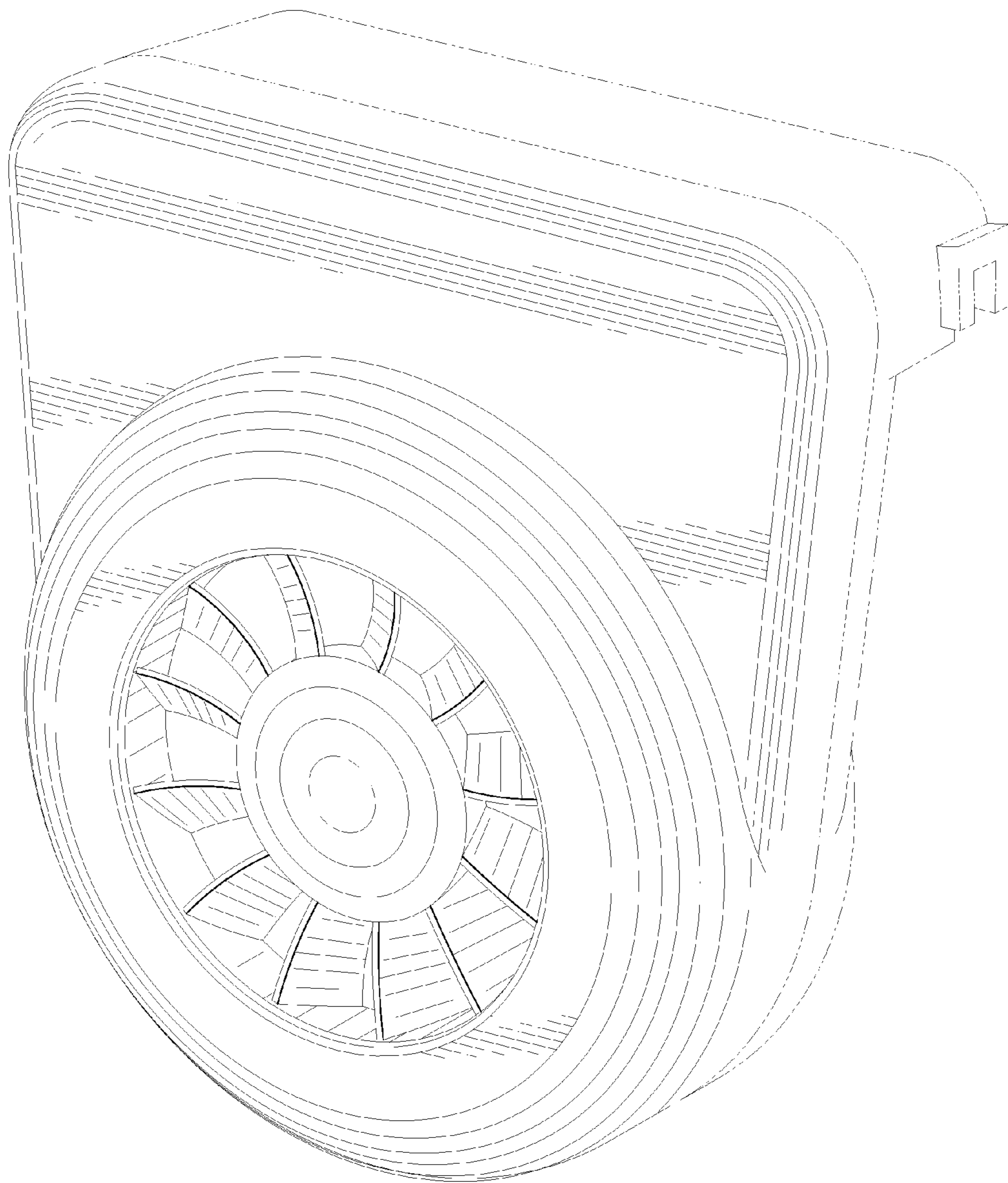


FIG. 2

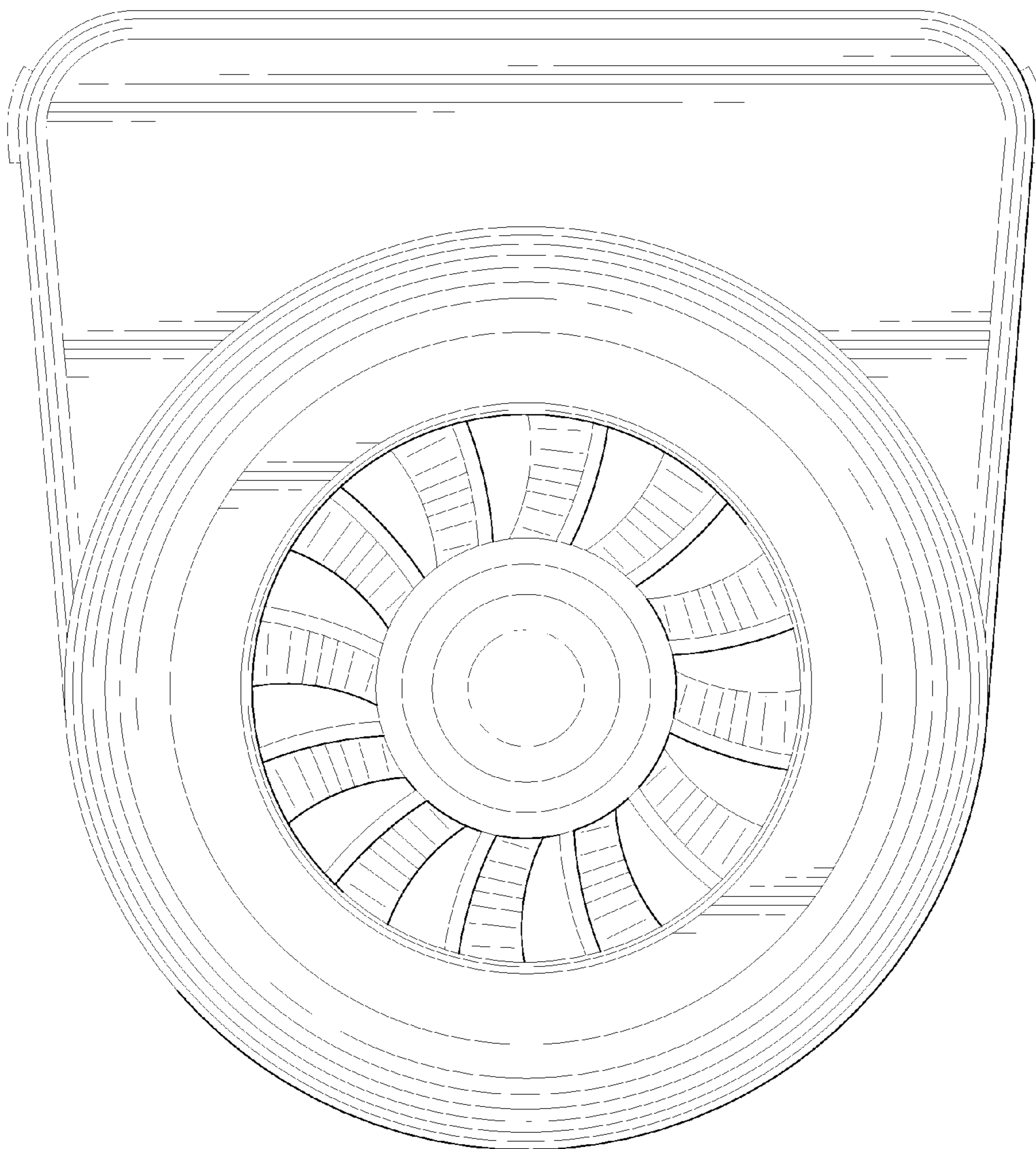


FIG. 3

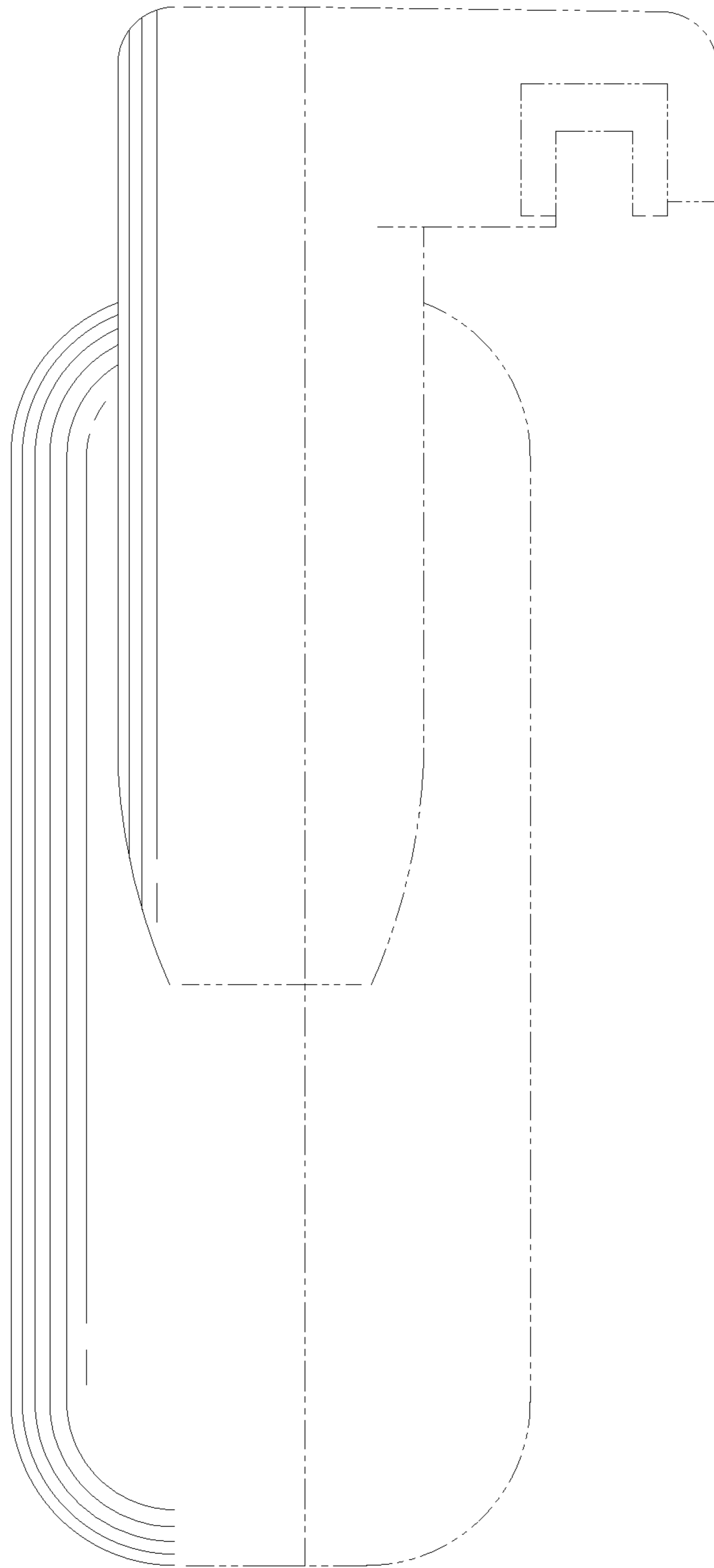


FIG. 4

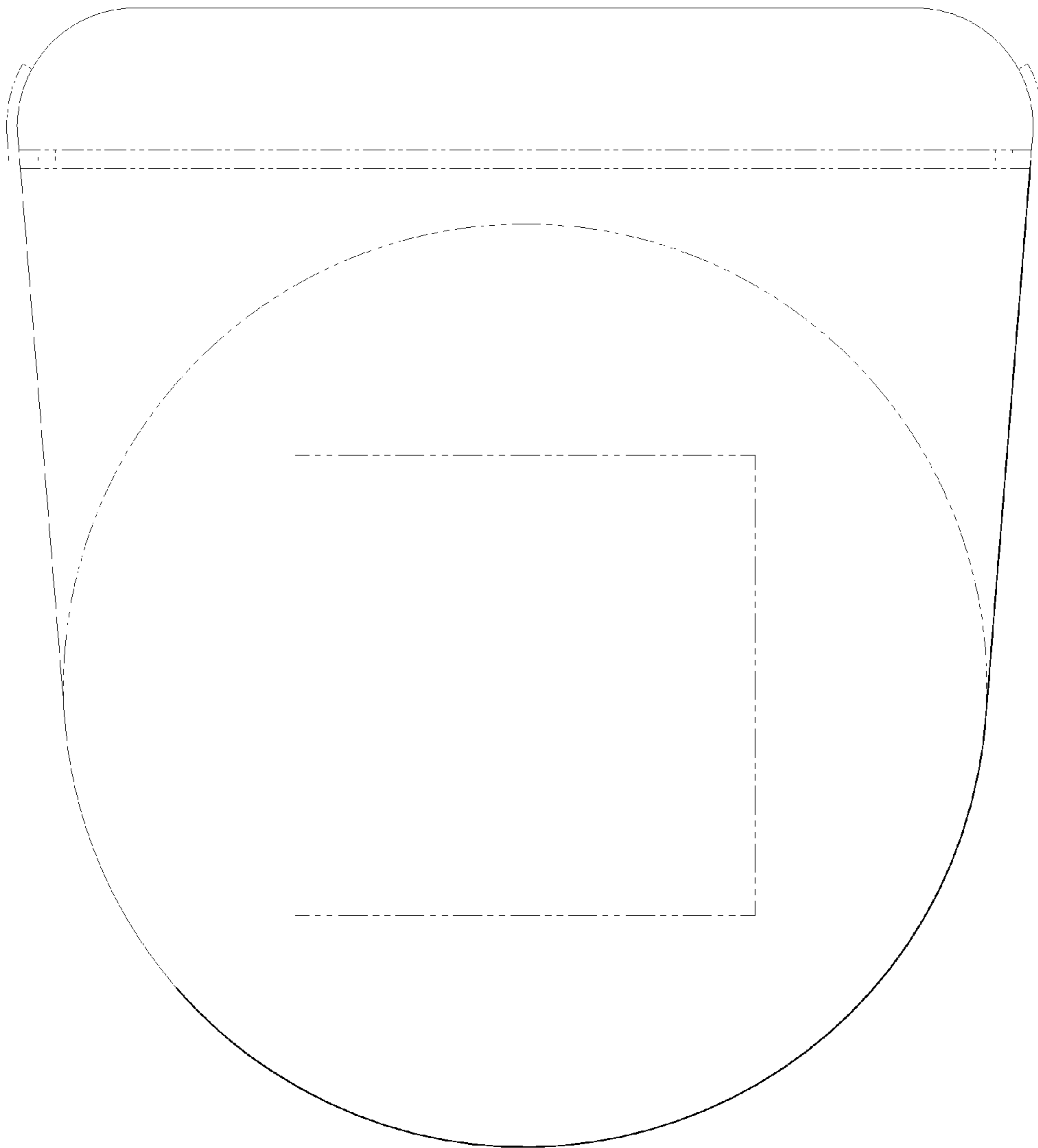


FIG. 5

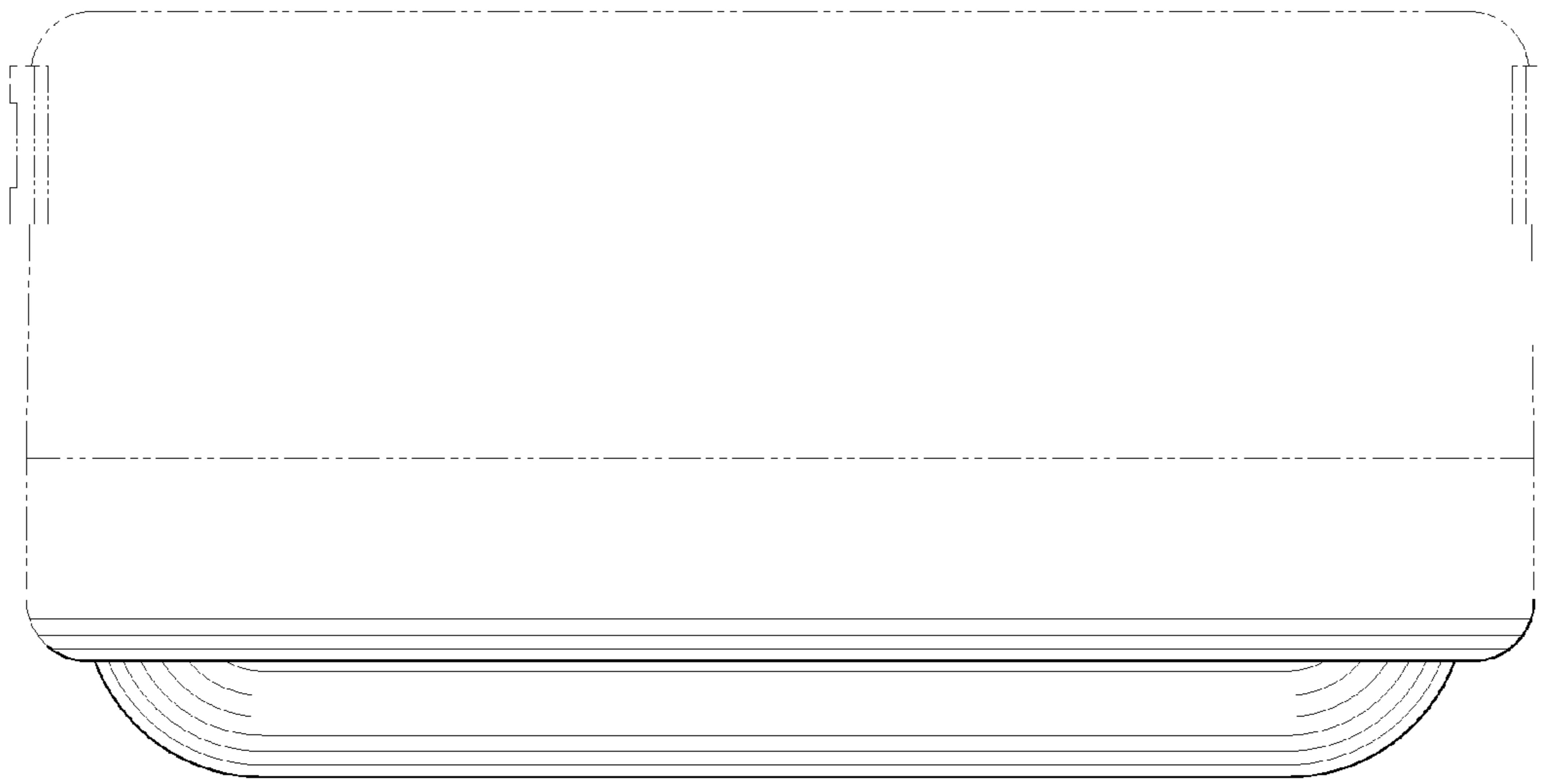


FIG. 6

