



US00D768837S

(12) **United States Design Patent** (10) **Patent No.:** **US D768,837 S**  
**Oettel** (45) **Date of Patent:** **\*\* Oct. 11, 2016**

(54) **PERSONAL DIFFUSER HOLDING DEVICE**

8,765,074 B2 \* 7/2014 Cole ..... B01J 19/00  
239/34

(71) Applicant: **Carmen Gloria Oettel**, Gilbert, AZ  
(US)

2007/0280652 A1 \* 12/2007 Williams ..... A24F 1/30  
392/386

(72) Inventor: **Carmen Gloria Oettel**, Gilbert, AZ  
(US)

\* cited by examiner

(\*\*) Term: **14 Years**

*Primary Examiner* — Sandra Snapp  
(74) *Attorney, Agent, or Firm* — Schmeiser, Olsen &  
Watts LLP

(21) Appl. No.: **29/490,016**

(22) Filed: **May 6, 2014**

(57) **CLAIM**

The ornamental design for the personal diffuser holding device, as shown.

(51) **LOC (10) Cl.** ..... **28-99**

(52) **U.S. Cl.**  
USPC ..... **D23/368**

**DESCRIPTION**

(58) **Field of Classification Search**

USPC ..... D23/355-369; D28/5, 6; 261/DIG. 17,  
261/DIG. 42, DIG. 47, DIG. 55, DIG. 65,  
261/DIG. 70, DIG. 88, DIG. 89; 392/386,  
392/390, 392, 394, 395; 239/34, 44, 53, 56,  
239/60, 308, 326  
CPC ..... A61L 9/00; A61L 9/02; A61L 9/03;  
A61L 9/032; A61L 9/035; A61L 9/037;  
A61L 9/04; A61L 9/12; A61L 9/22  
See application file for complete search history.

FIG. 1 is a perspective view of the personal diffuser holding device;  
FIG. 2 is a perspective view of the personal diffuser holding device with a necklace chain coupled thereto;  
FIG. 3 is a back view of the personal diffuser holding device;  
FIG. 4 is a front view of the personal diffuser holding device;  
FIG. 5 is a right side view of the personal diffuser holding device; and,  
FIG. 6 is a left side view of the personal diffuser holding device.

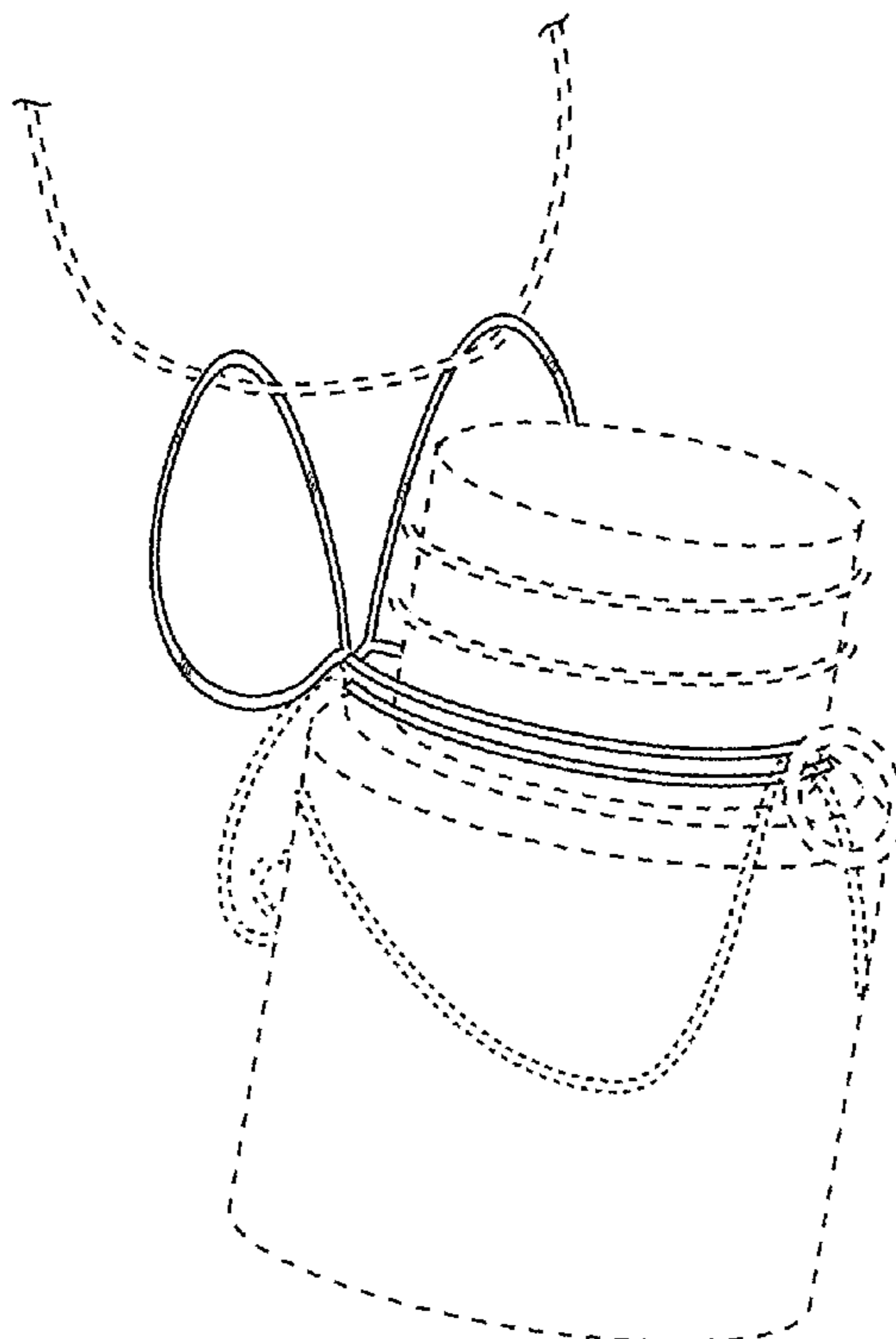
(56) **References Cited**

**U.S. PATENT DOCUMENTS**

4,285,905 A \* 8/1981 Feit ..... A61L 9/12  
239/60  
7,017,829 B2 \* 3/2006 Martens, III ..... B05B 17/0684  
239/326

The broken lines showing a personal diffuser and other sections of the holding device structure is for the purpose of illustrating a position of the holding device with respect to the personal diffuser and forms no part of the claimed design.

**1 Claim, 3 Drawing Sheets**



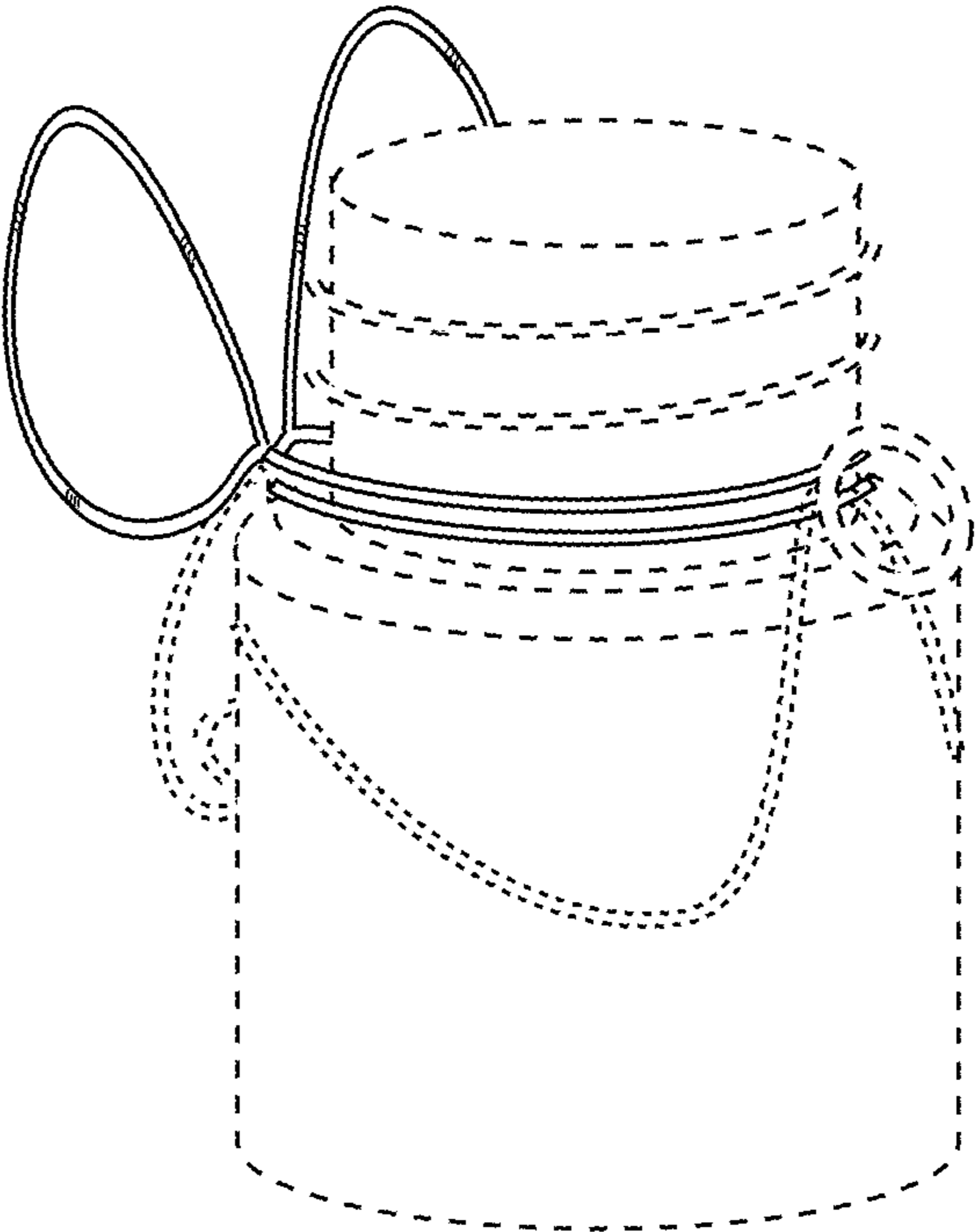


FIG. 1

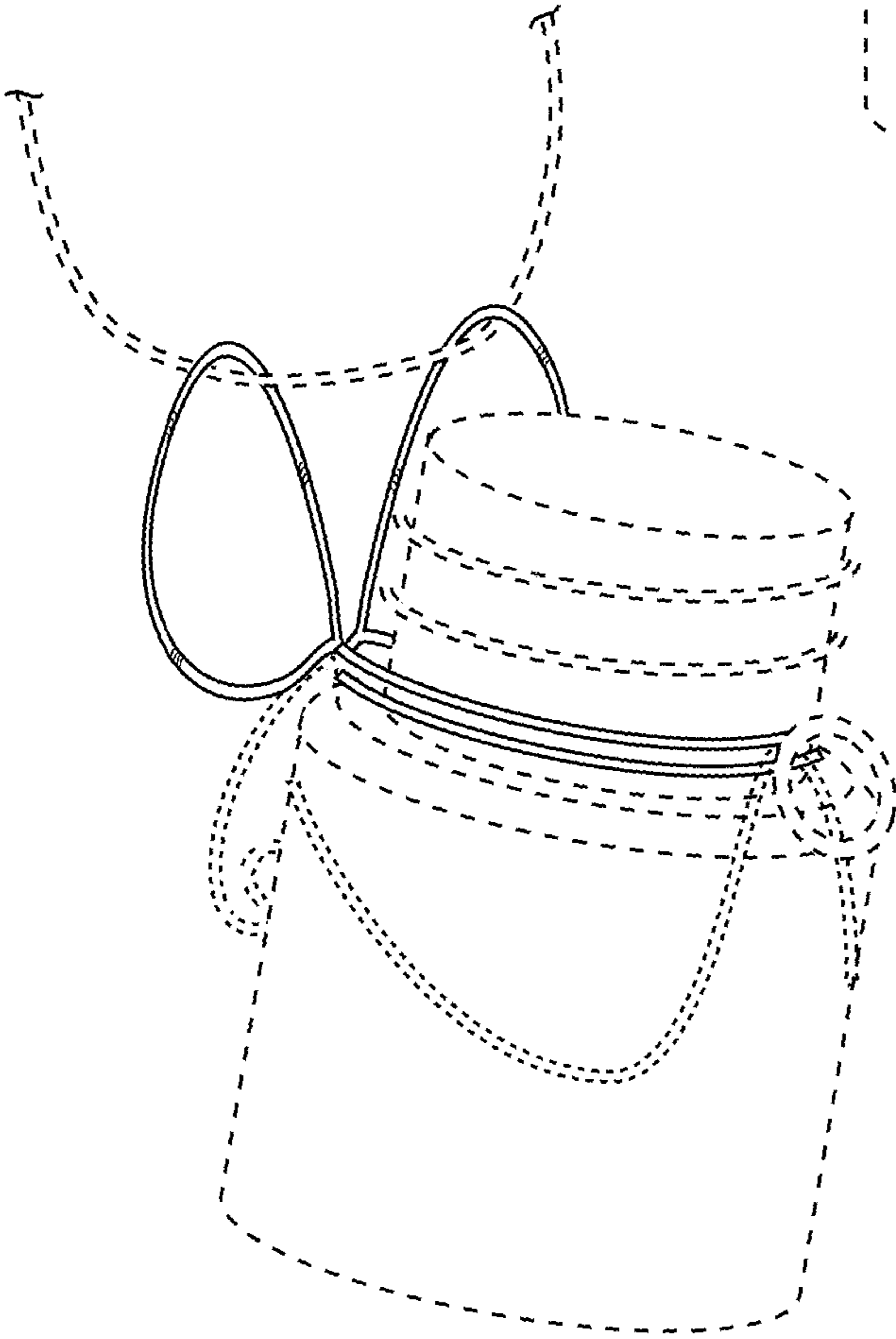


FIG. 2

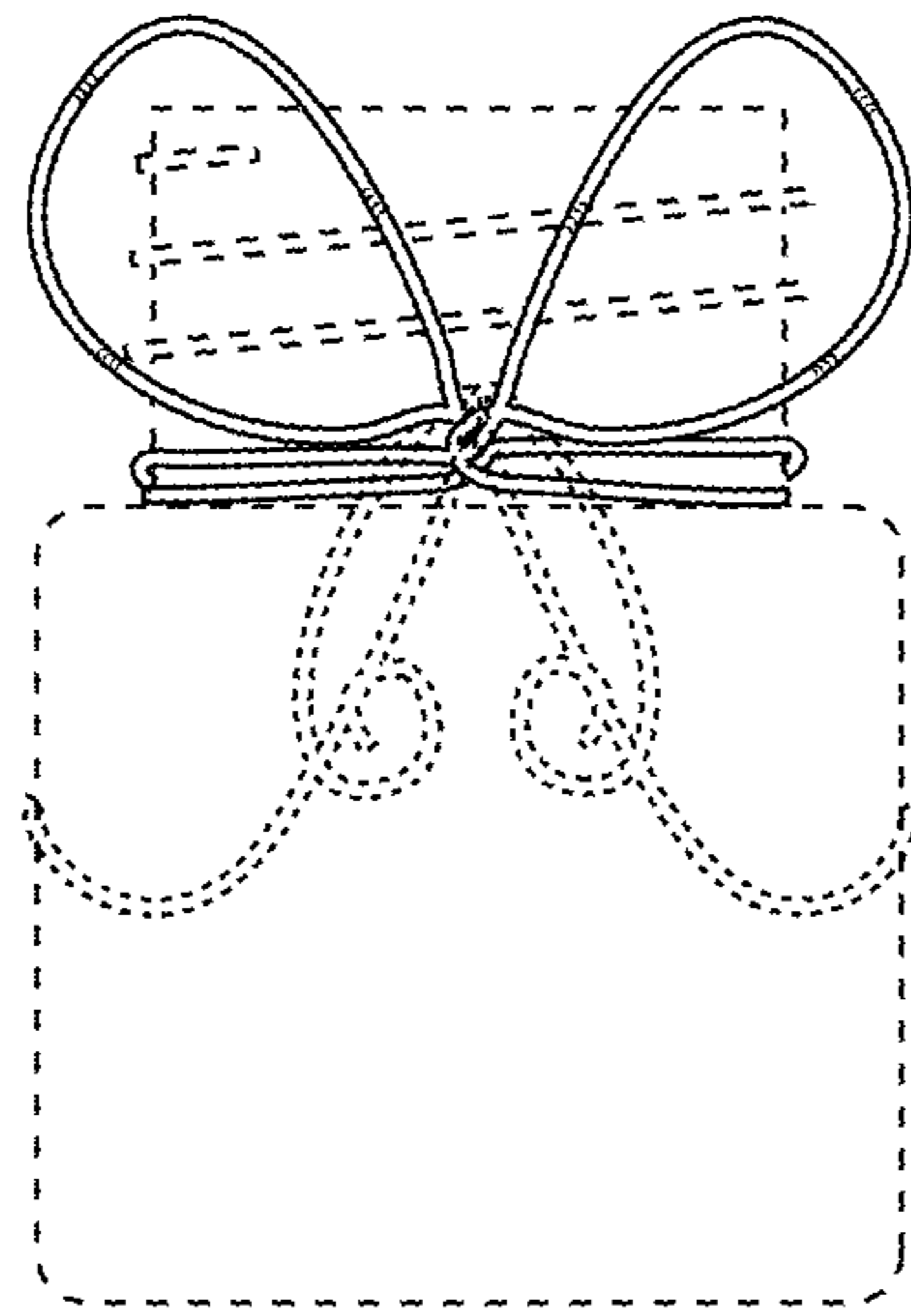


FIG. 3

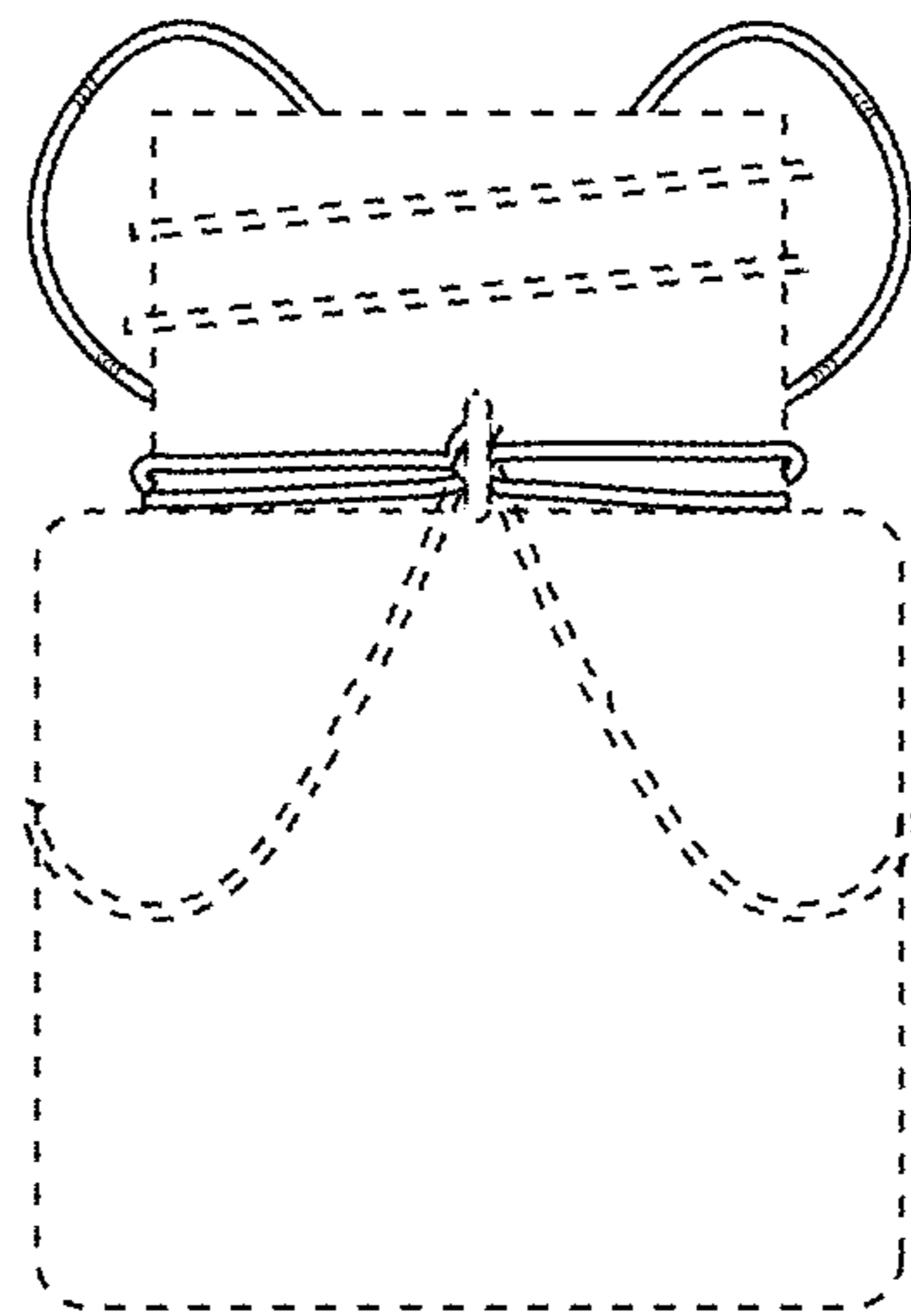


FIG. 4

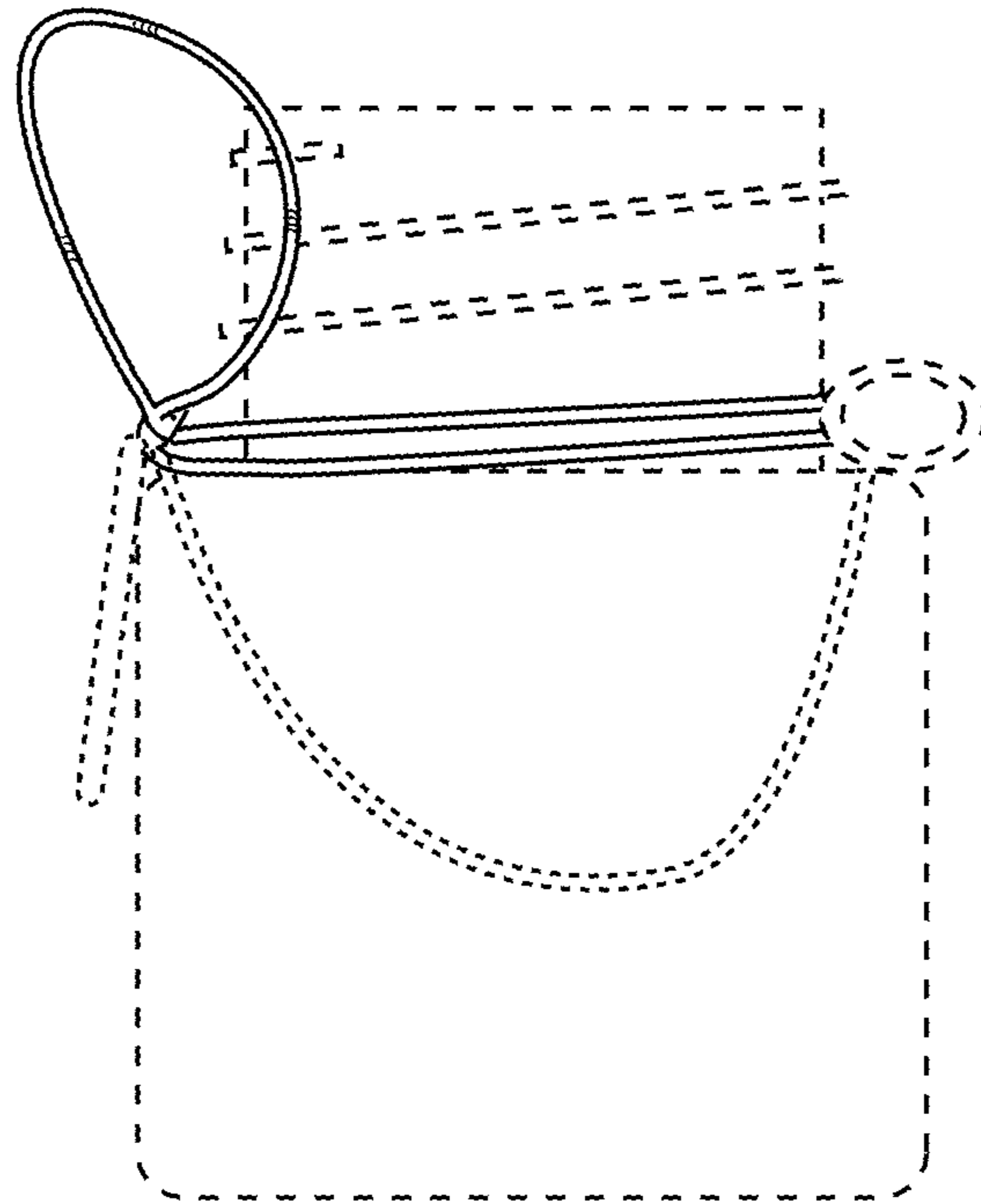


FIG. 5

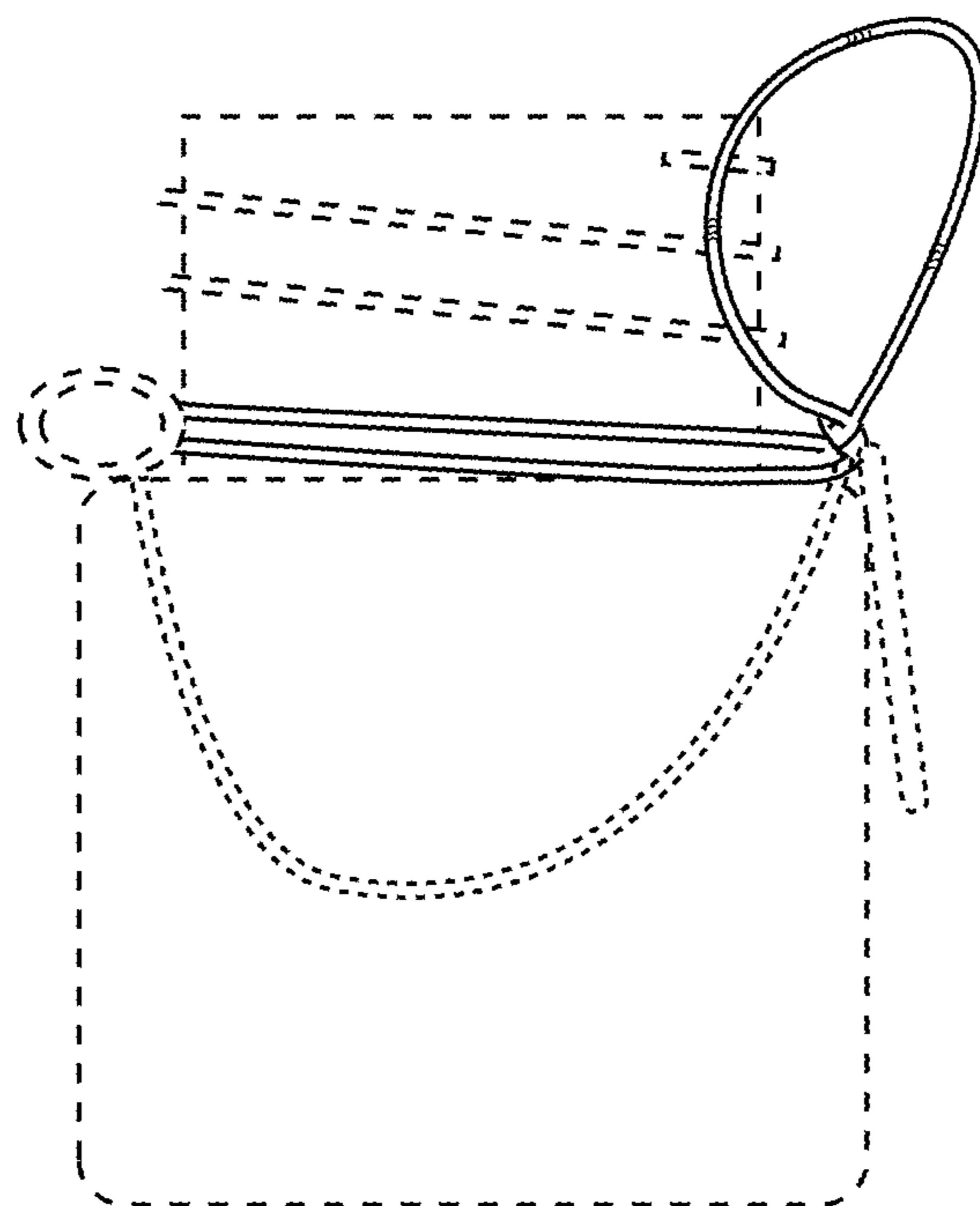


FIG. 6