



US00D768835S

(12) **United States Design Patent**
Lane et al.

(10) **Patent No.:** **US D768,835 S**
(45) **Date of Patent:** **** Oct. 11, 2016**

- (54) **AIR FRESHENER DEVICE**
- (71) Applicant: **The Procter & Gamble Company**,
Cincinnati, OH (US)
- (72) Inventors: **Richard Lee Lane**, Cincinnati, OH
(US); **David William Schuller**,
Lebanon, OH (US)
- (73) Assignee: **The Procter & Gamble Company**,
Cincinnati, OH (US)

D484,583 S * 12/2003 Hunt D23/360
 D487,308 S * 3/2004 Engerant D23/366
 D498,524 S * 11/2004 Morillas D23/366

(Continued)

Primary Examiner — Sandra Snapp
 (74) *Attorney, Agent, or Firm* — Abbey A. Lopez

(**) Term: **15 Years**

(57) **CLAIM**
 The ornamental design for an air freshener device, as shown
 and described.

- (21) Appl. No.: **29/540,500**
- (22) Filed: **Sep. 25, 2015**
- (51) **LOC (10) Cl.** **28-99**
- (52) **U.S. Cl.**
USPC **D23/366**
- (58) **Field of Classification Search**
USPC D23/355–369; D28/5, 6; 261/DIG. 17,
261/DIG. 42, DIG. 47, DIG. 55, DIG. 65,
261/DIG. 70, DIG. 88, DIG. 89; 392/386,
392/389, 394, 395, 403; 239/34, 44, 45, 53,
239/56
CPC A61L 9/02; A61L 9/03; A61L 9/034;
A61L 9/04; A61L 9/12; A61L 9/032; A61L
9/122; A61L 9/127; A61L 9/22
See application file for complete search history.

DESCRIPTION

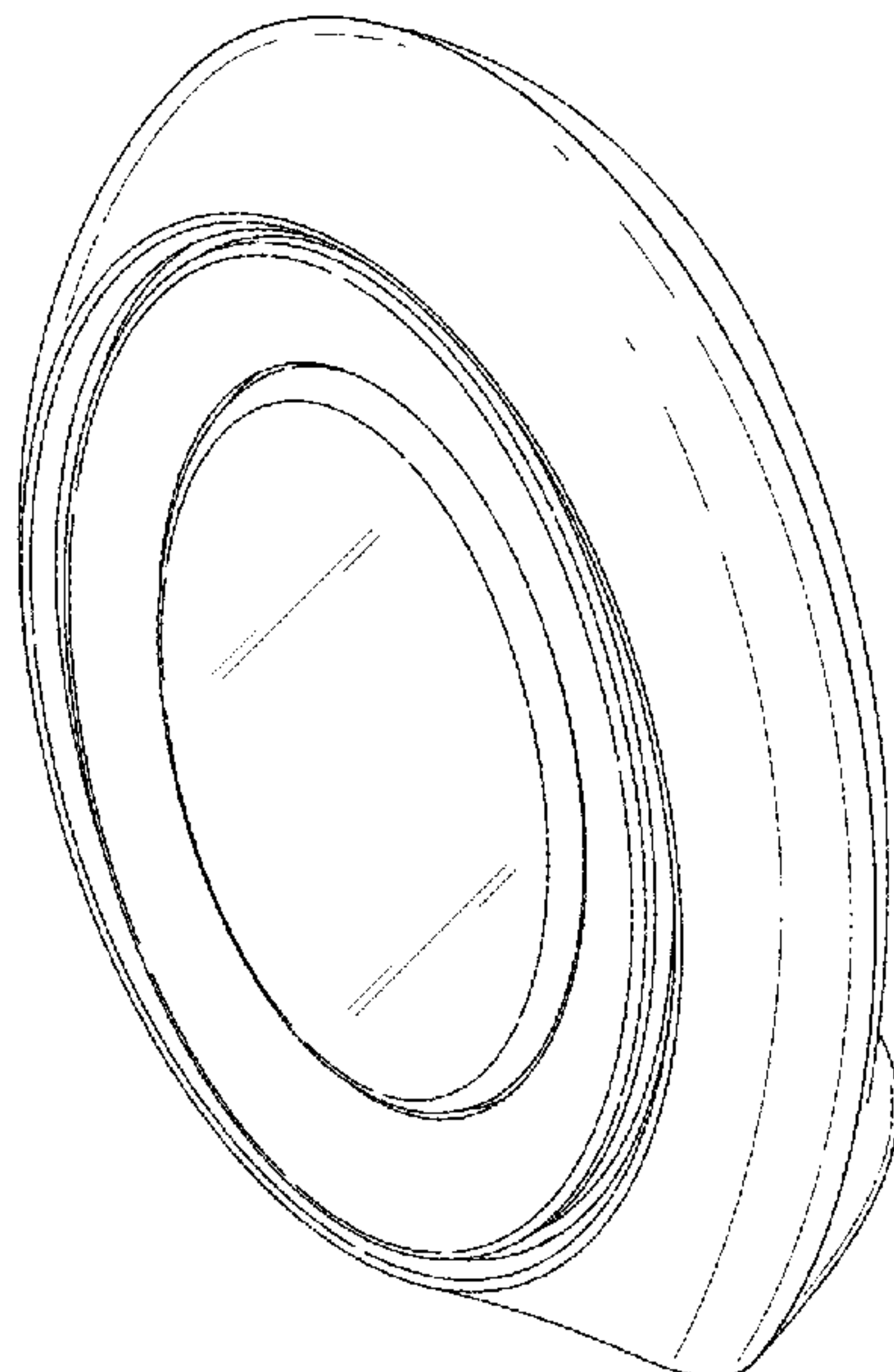
FIG. 1 is an isometric view of a first embodiment of an air freshener device having a front housing, a translucent or transparent dome, and a rear housing;
 FIG. 2 is a front view of the air freshener device of FIG. 1;
 FIG. 3 is a back view of the air freshener device of FIG. 1;
 FIG. 4 is a left view of the air freshener device of FIG. 1;
 FIG. 5 is a right view of the air freshener device of FIG. 1;
 FIG. 6 is a top view of the air freshener device of FIG. 1;
 FIG. 7 is a bottom view of the air freshener device of FIG. 1;
 FIG. 8 is an isometric view of a second embodiment of an air freshener device having a front housing, a translucent or transparent dome, and a rear housing;
 FIG. 9 is a front view of the air freshener device of FIG. 8;
 FIG. 10 is a back view of the air freshener device of FIG. 8;
 FIG. 11 is a left view of the air freshener device of FIG. 8;
 FIG. 12 is a right view of the air freshener device of FIG. 8;
 FIG. 13 is a top view of the air freshener device of FIG. 8;
 and,
 FIG. 14 is a bottom view of the air freshener device of FIG. 8.
 The broken lines shown in the drawings are for illustrative purposes only and form no part of the claimed design.

(56) **References Cited**

U.S. PATENT DOCUMENTS

- D254,930 S * 5/1980 Mandon D23/369
- D270,468 S * 9/1983 Hoyt D23/369
- D275,222 S * 8/1984 Hoyt D23/369
- D373,626 S * 9/1996 Dente D23/366
- D431,075 S * 9/2000 Barraclough D23/366

1 Claim, 14 Drawing Sheets



(56)

References Cited

U.S. PATENT DOCUMENTS

D593,670 S * 6/2009 Valentino D23/366
D629,881 S * 12/2010 Valentino D23/368
D631,954 S * 2/2011 Bertassi D23/366
D650,891 S * 12/2011 Freeborn D23/366
D675,307 S * 1/2013 Freeborn D23/366
D676,539 S * 2/2013 Sanders D23/366
D676,540 S * 2/2013 Sanders D23/366

8,485,454 B1 * 7/2013 Irvin A61L 9/125
239/34
D698,911 S * 2/2014 Garbusi D23/366
D721,798 S * 1/2015 Arinsmier D23/366
D724,193 S * 3/2015 Esses D23/366
D732,652 S * 6/2015 Furner D23/366
D751,683 S * 3/2016 Furner D23/368
2015/0108239 A1 * 4/2015 Bourne B60H 3/0028
239/6

* cited by examiner

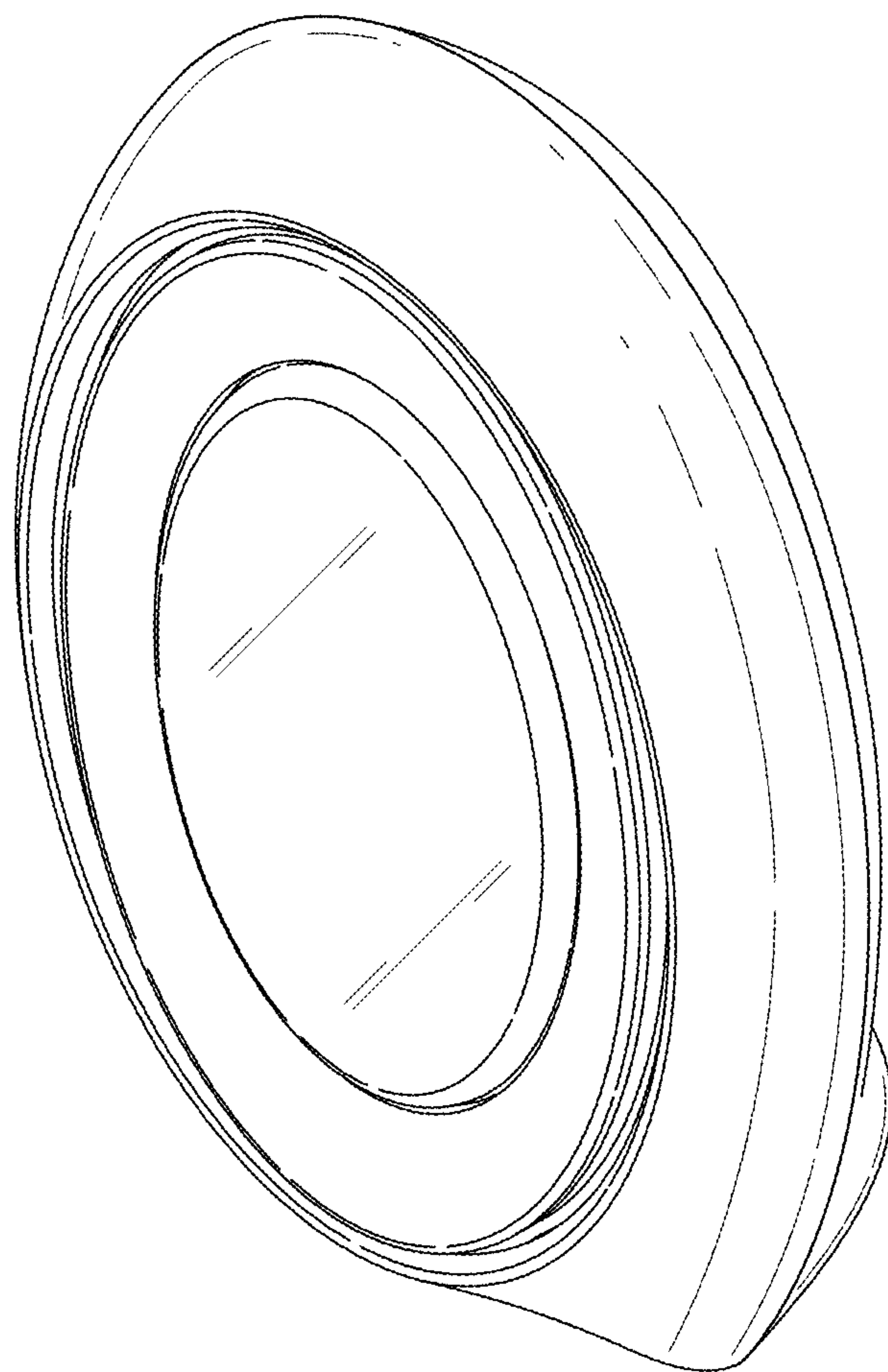


Fig. 1

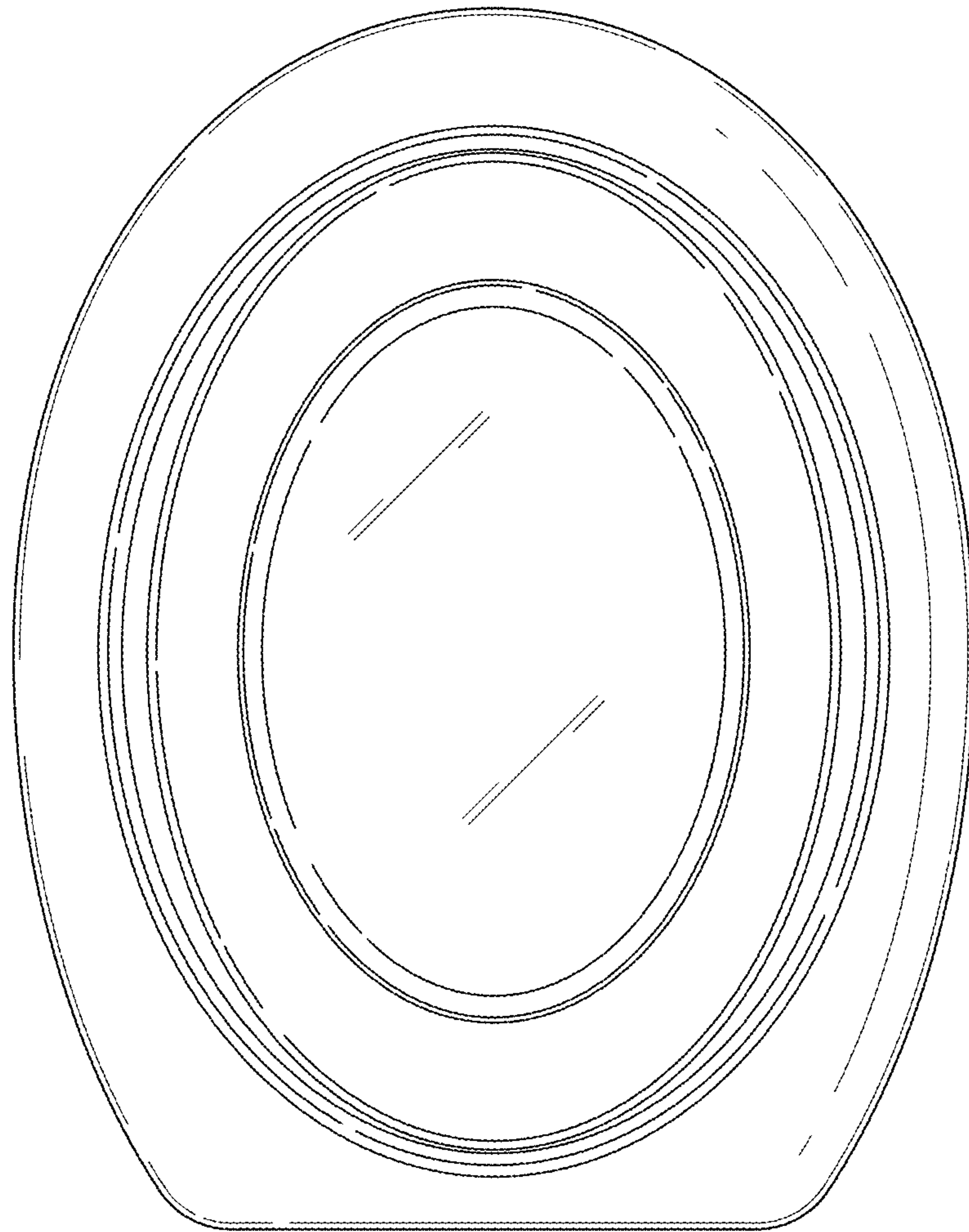


Fig. 2

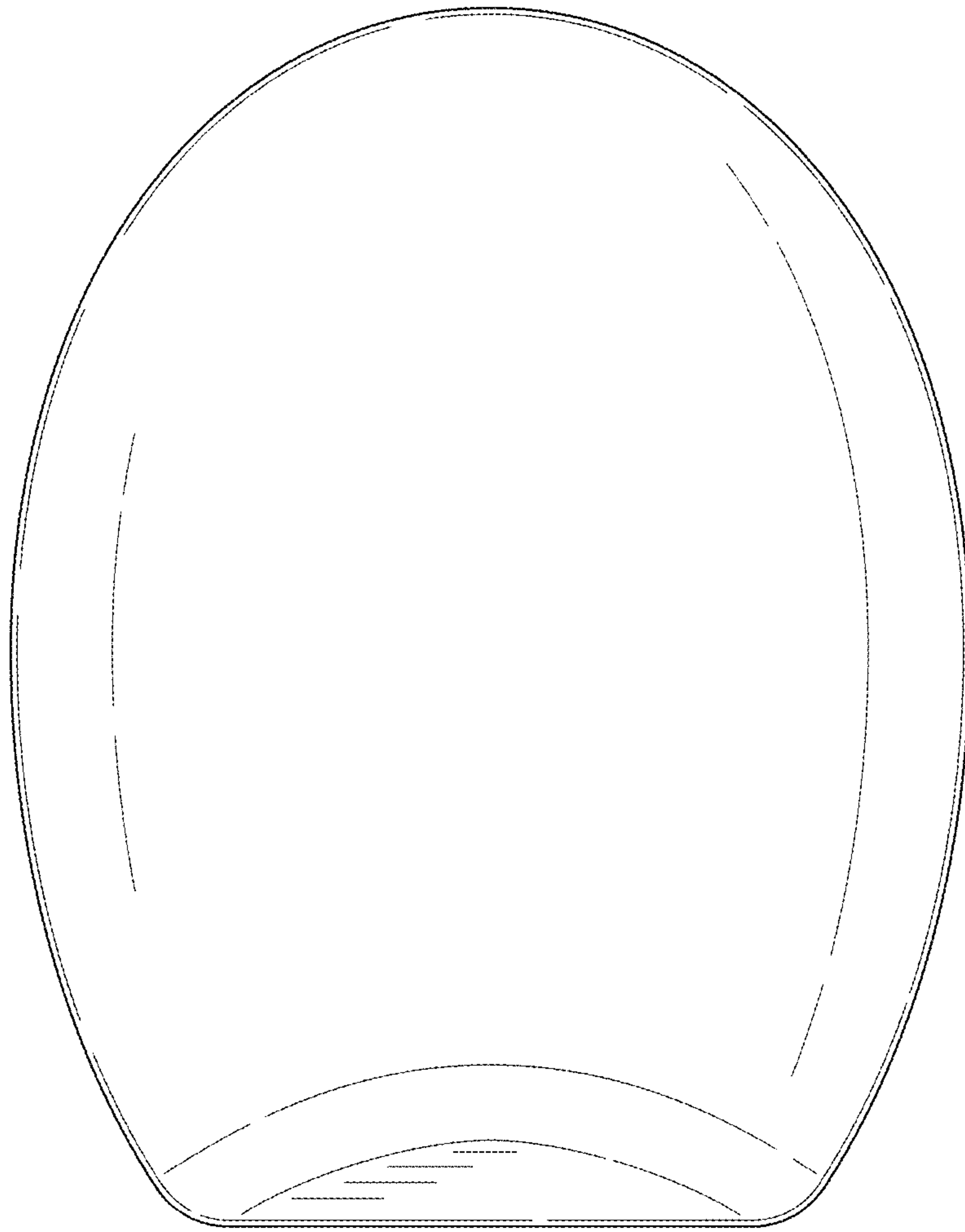


Fig. 3

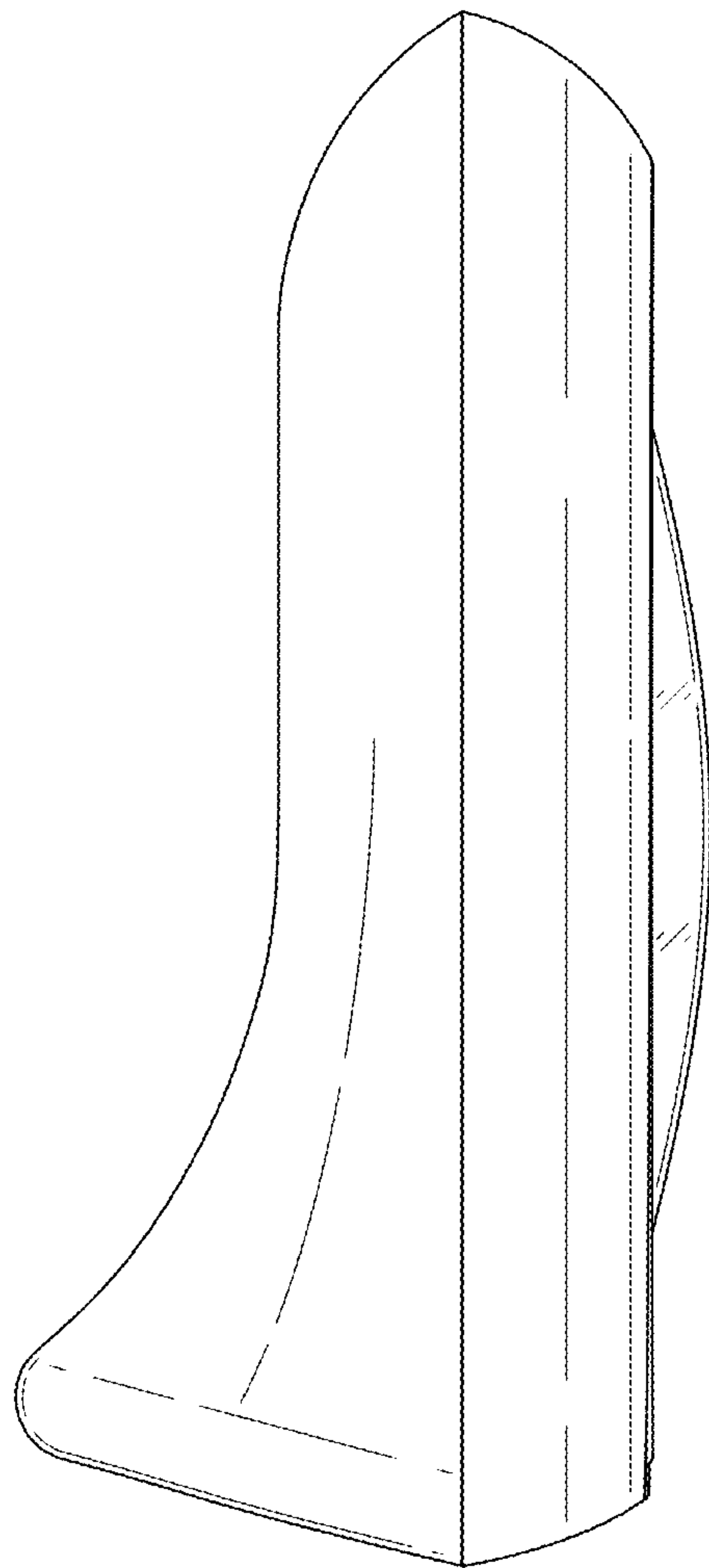


Fig. 4

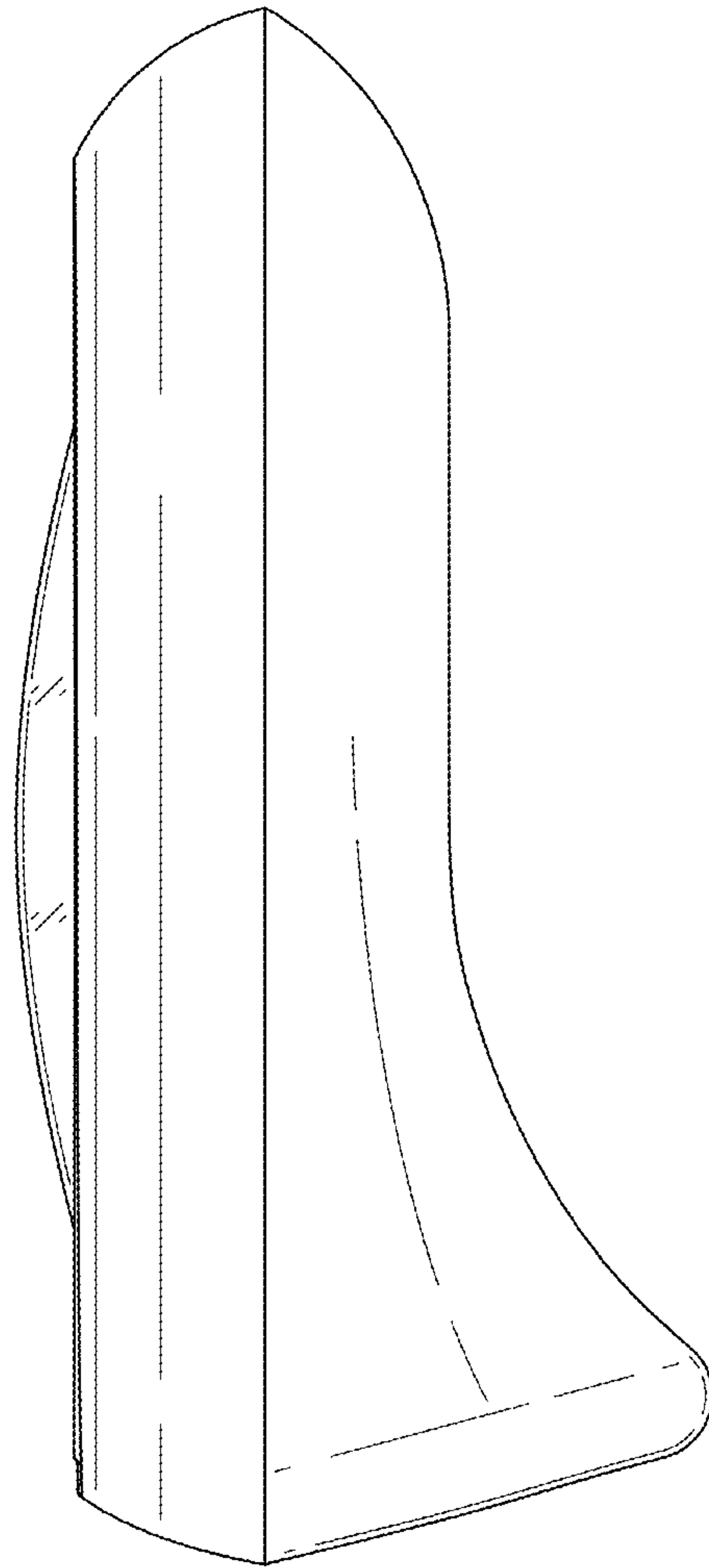


Fig. 5

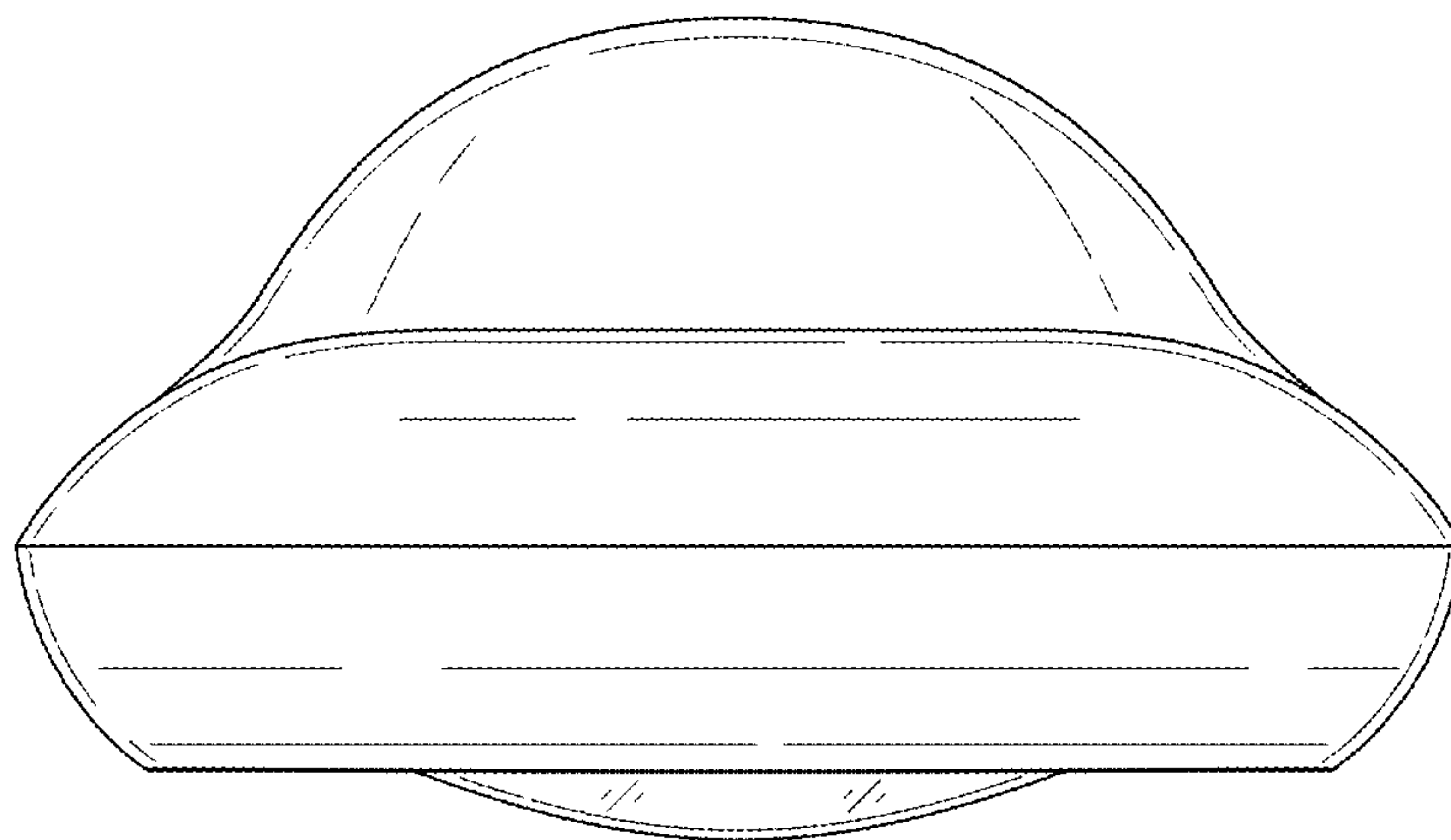


Fig. 6

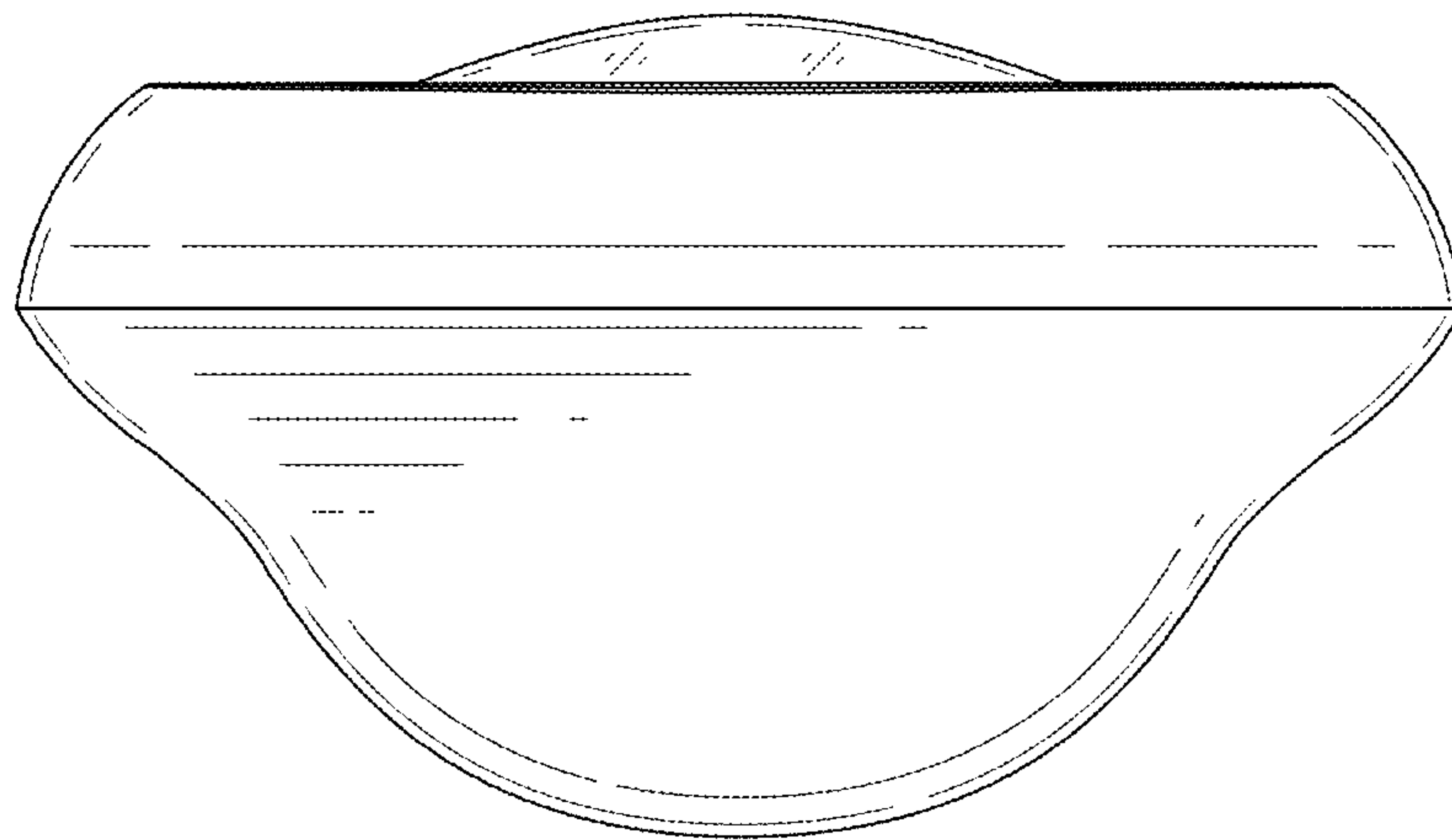


Fig. 7

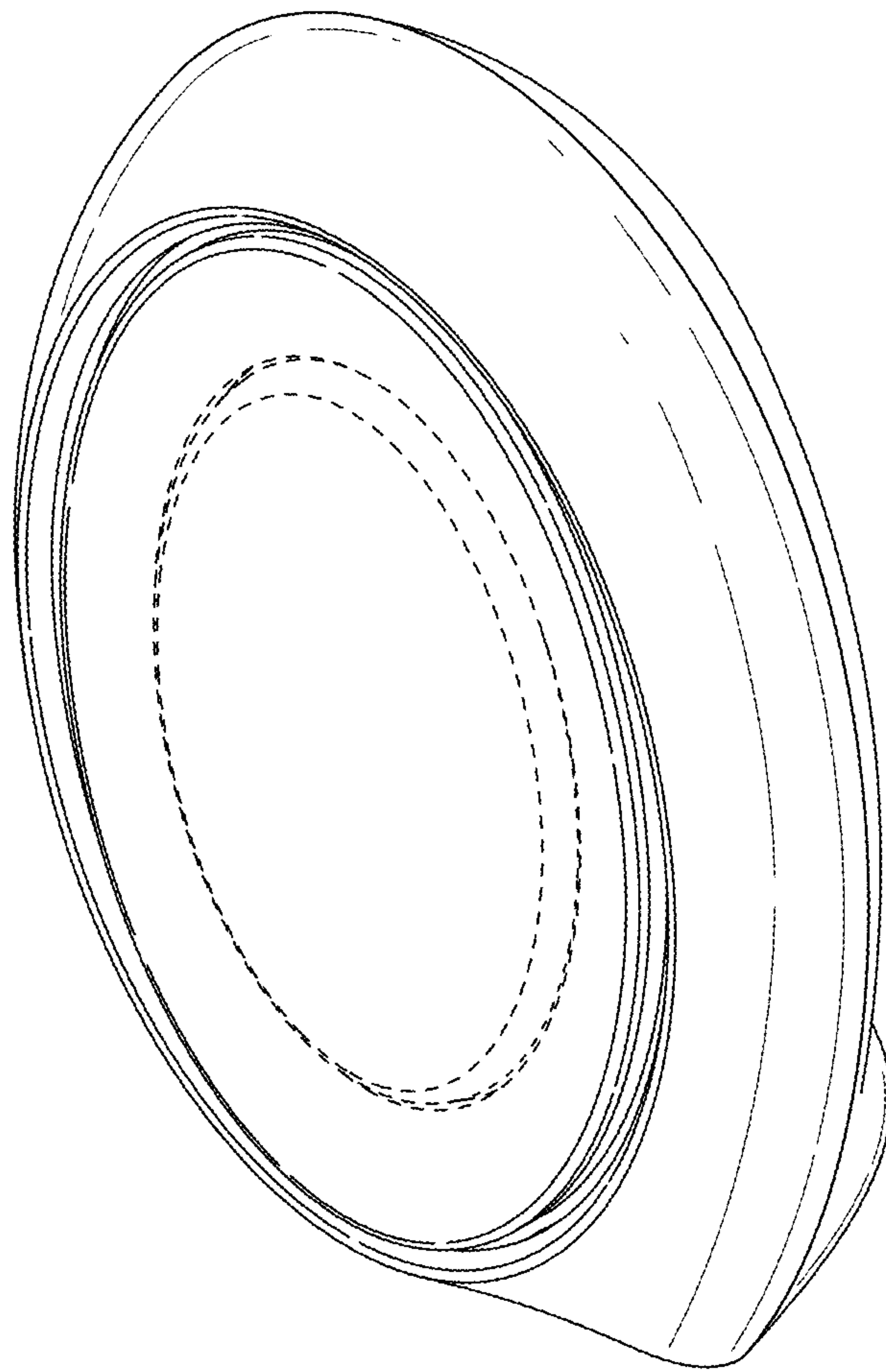


Fig. 8

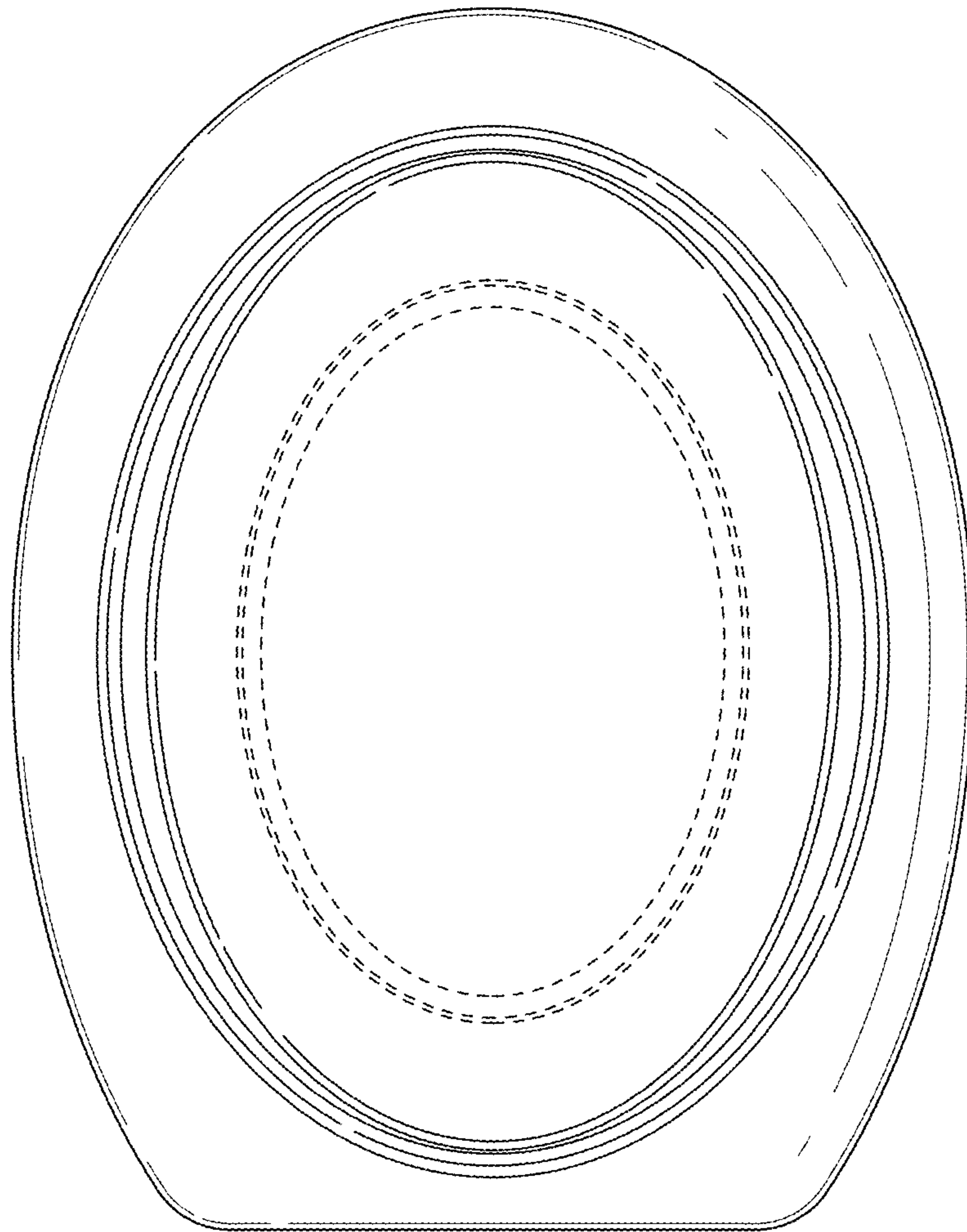


Fig. 9

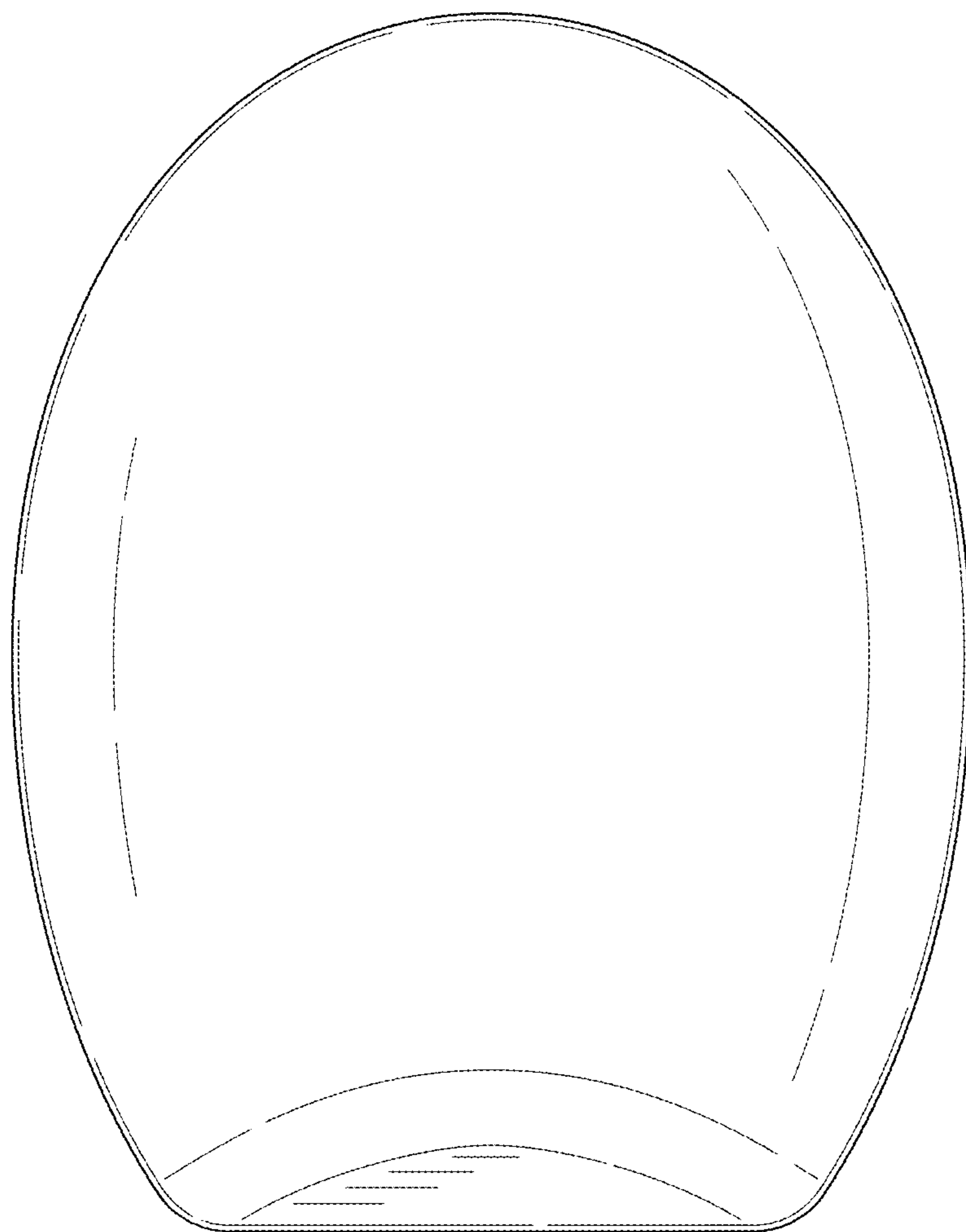


Fig. 10

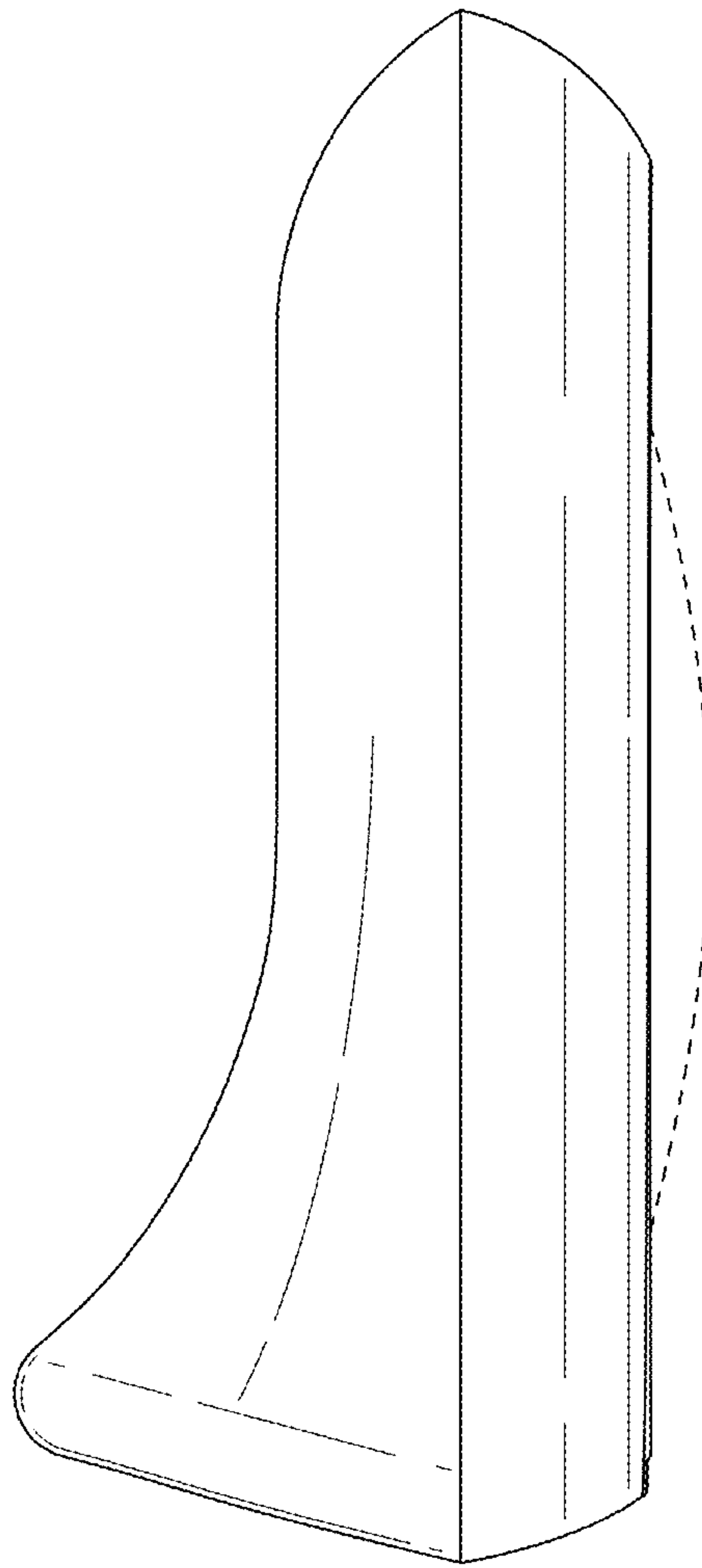


Fig. 11

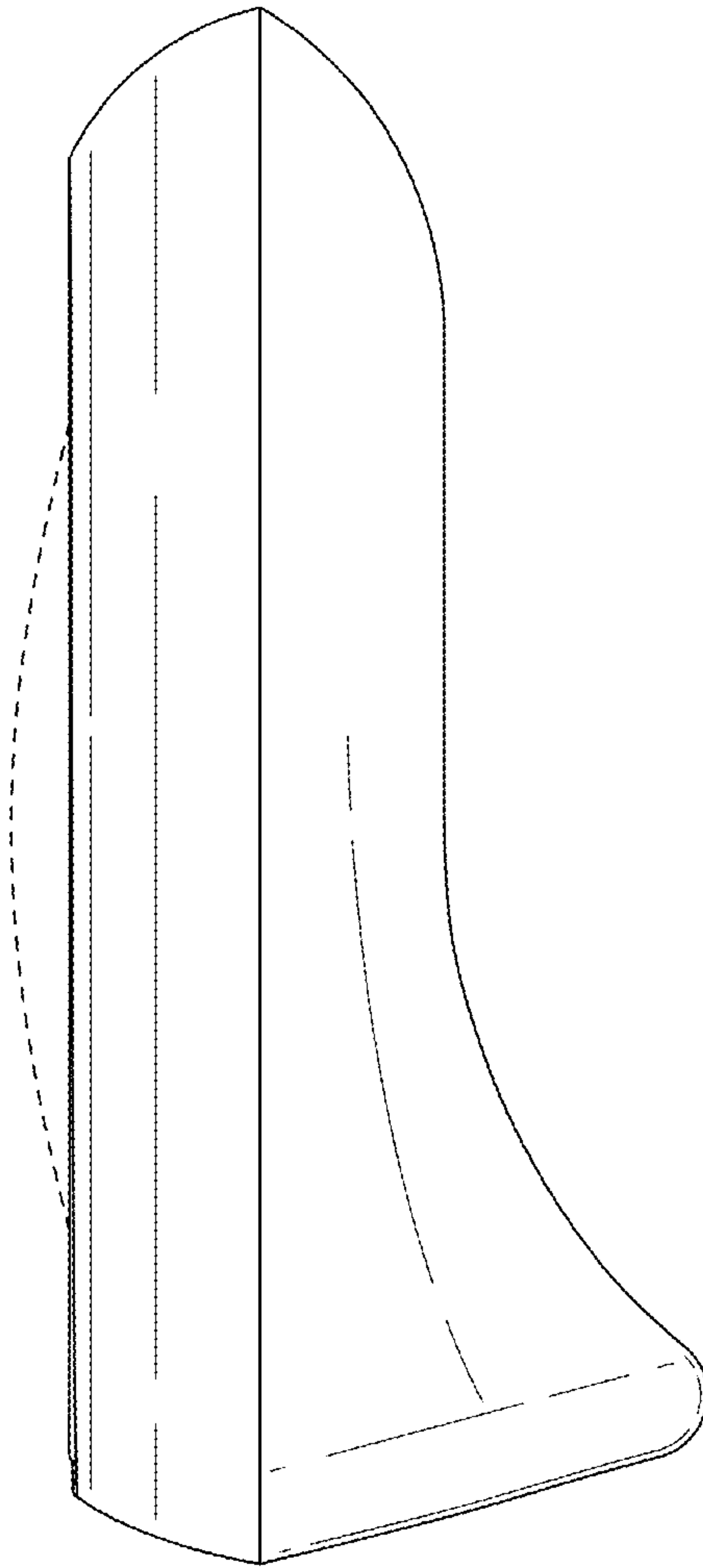


Fig. 12

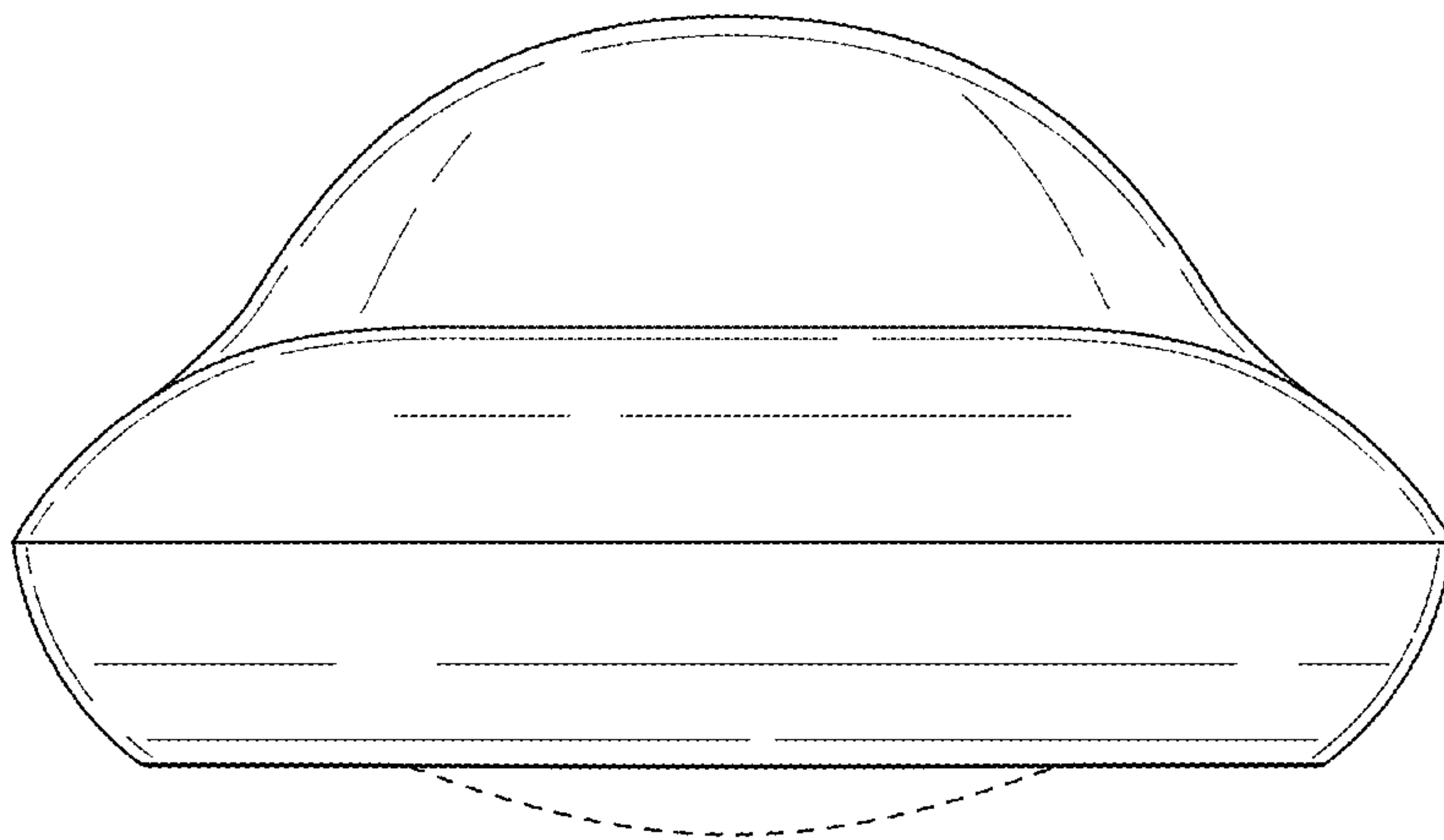


Fig. 13

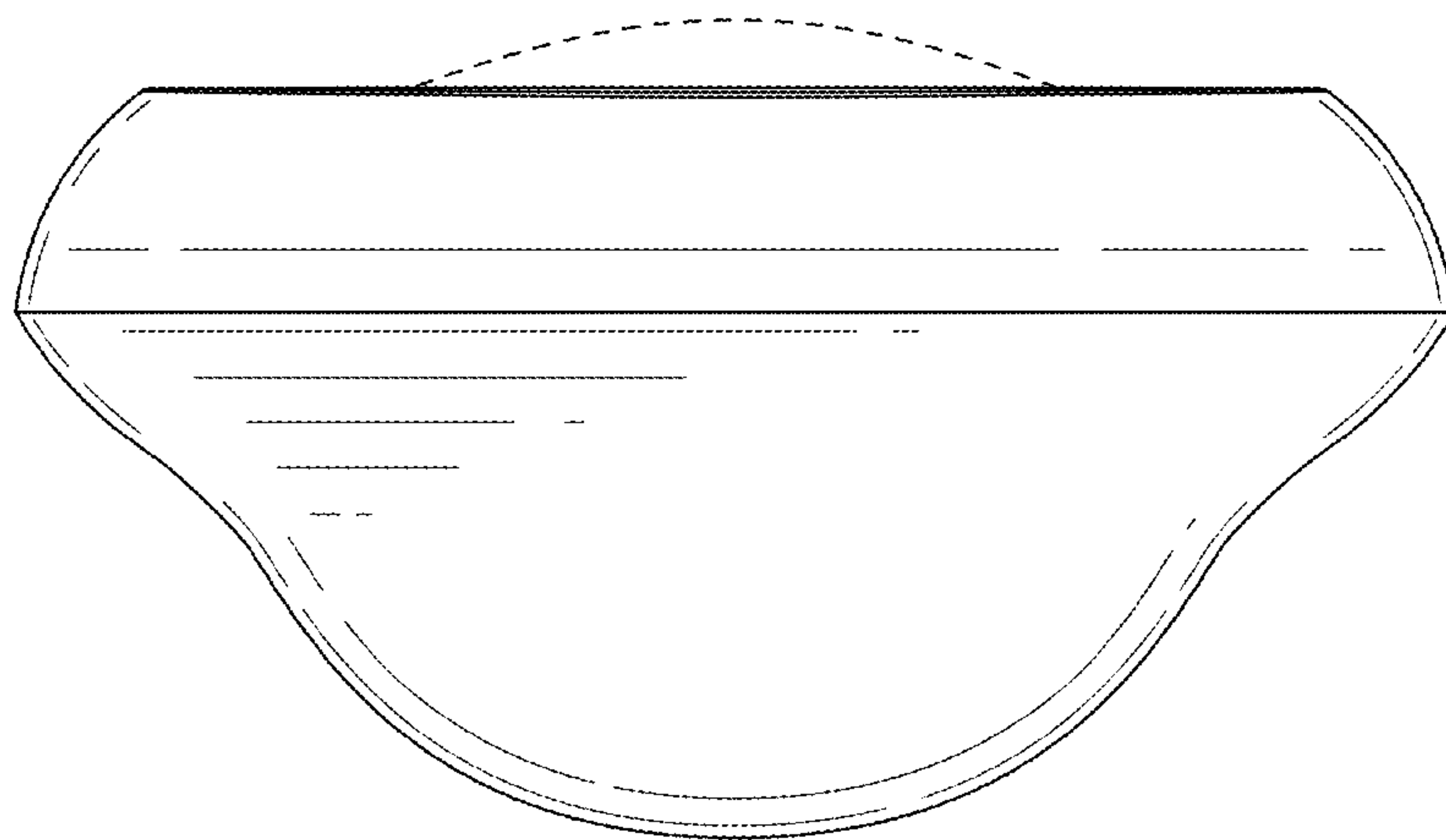


Fig. 14