

US00D768833S

(12) **United States Design Patent** (10) **Patent No.:** **US D768,833 S**
Moredock et al. (45) **Date of Patent:** **** Oct. 11, 2016**

(54) **FILTER CARTRIDGE FOR AIR CLEANER**

6,280,493 B1 8/2001 Eubank
 6,348,086 B1 * 2/2002 Harms B01D 46/0045
 55/385.3

(71) Applicant: **THE SY-KLONE COMPANY**,
Jacksonville, FL (US)

6,425,943 B1 7/2002 Moredock
 D467,654 S 12/2002 Klug et al.
 D471,623 S * 3/2003 Gieseke D23/365

(72) Inventors: **James G. Moredock**, Neptune Beach,
FL (US); **Eric L. Ehrenberg**,
Jacksonville, FL (US)

6,569,219 B1 5/2003 Connor et al.
 D481,101 S 10/2003 Boehrs et al.
 6,958,083 B1 10/2005 Schmitz et al.
 7,004,987 B2 2/2006 Pikesh et al.
 7,056,368 B2 6/2006 Moredock et al.
 7,452,409 B2 11/2008 Moredock et al.

(73) Assignee: **THE SY-KLONE COMPANY**,
Jacksonville, FL (US)

(Continued)

(**) Term: **15 Years**

Primary Examiner — Sandra Snapp
 (74) *Attorney, Agent, or Firm* — Oliff PLC

(21) Appl. No.: **29/533,123**

(22) Filed: **Jul. 14, 2015**

(51) **LOC (10) Cl.** **23-04**

(52) **U.S. Cl.**
USPC **D23/365**

(58) **Field of Classification Search**
 USPC D23/355–365, 386–388, 314, 325, 302,
 D23/283, 493, 502; 55/478, 482, 483, 490,
 55/497, 498, 520, 521, 529, 508, 511;
 95/273, 278, 279, 280
 CPC .. B01D 46/00; B01D 46/0005; B01D 27/04;
 B01D 27/06; B01D 39/00
 See application file for complete search history.

(56) **References Cited**

U.S. PATENT DOCUMENTS

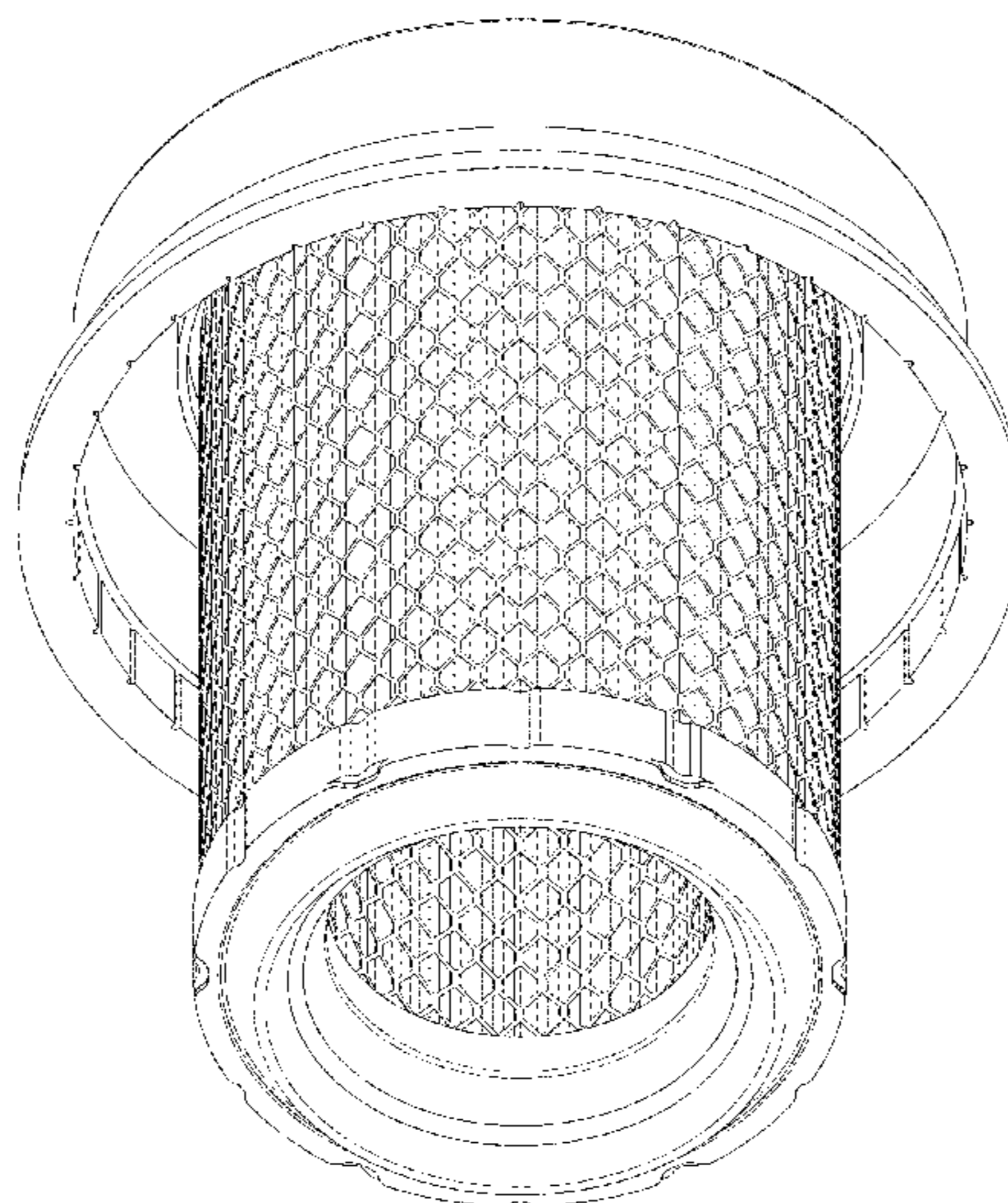
4,314,832 A 2/1982 Fox
 4,350,509 A 9/1982 Alseth et al.
 4,488,889 A 12/1984 McCarroll
 4,890,444 A 1/1990 Vander Giessen et al.
 5,112,372 A 5/1992 Boeckermann et al.
 5,211,846 A 5/1993 Kott et al.
 5,800,581 A 9/1998 Gielink et al.
 D401,306 S 11/1998 Ward et al.
 D407,475 S 3/1999 Coulonvaux et al.
 D438,214 S * 2/2001 Gieseke D15/5

(57) **CLAIM**
 The ornamental design for a filter cartridge for air cleaner,
 as shown and described.

DESCRIPTION

FIG. 1 is a perspective view from the side and below of one embodiment of the filter cartridge for air cleaner showing our new design;
 FIG. 2 is a perspective view thereof from the side and above;
 FIG. 3 is a top view thereof;
 FIG. 4 is a side elevational view thereof;
 FIG. 5 is a bottom plan view thereof;
 FIG. 6 is a side elevational view thereof showing the filter cartridge for air cleaner in a position of use on an air cleaner shown in dashed lines;
 FIG. 7 is a perspective view from the side and below of a second embodiment of the filter cartridge for air cleaner showing our new design;
 FIG. 8 is a perspective view thereof from the side and above;
 FIG. 9 is a top plan view thereof;
 FIG. 10 is a side elevational view thereof; and,
 FIG. 11 is a bottom plan view thereof.
 The dashed lines shown in FIG. 6 are for illustrative purposes only and from no part of the claimed design.

1 Claim, 11 Drawing Sheets



(56)

References Cited

U.S. PATENT DOCUMENTS

7,537,631 B2 5/2009 Scott et al.
7,662,203 B2 2/2010 Scott et al.
7,815,705 B2* 10/2010 Ehrenberg B01D 46/2414
55/428
D632,770 S 2/2011 Rotter et al.
8,292,984 B2 10/2012 Baseotto et al.
8,394,166 B2 3/2013 Scott et al.
8,414,675 B2 4/2013 Iddings et al.

8,529,324 B2 9/2013 Moredock et al.
D691,252 S 10/2013 Moredock et al.
D694,871 S * 12/2013 Maholick D23/365
D717,420 S * 11/2014 Von Seggern D23/365
8,945,282 B2 2/2015 Moredock et al.
D737,945 S * 9/2015 Leatzow D23/365
D746,969 S * 1/2016 Leatzow D23/365
2007/0173188 A1 7/2007 Moredock et al.
2012/0060453 A1 3/2012 Holzmann et al.
2014/0260144 A1* 9/2014 Williams B01D 46/0005
55/502

* cited by examiner

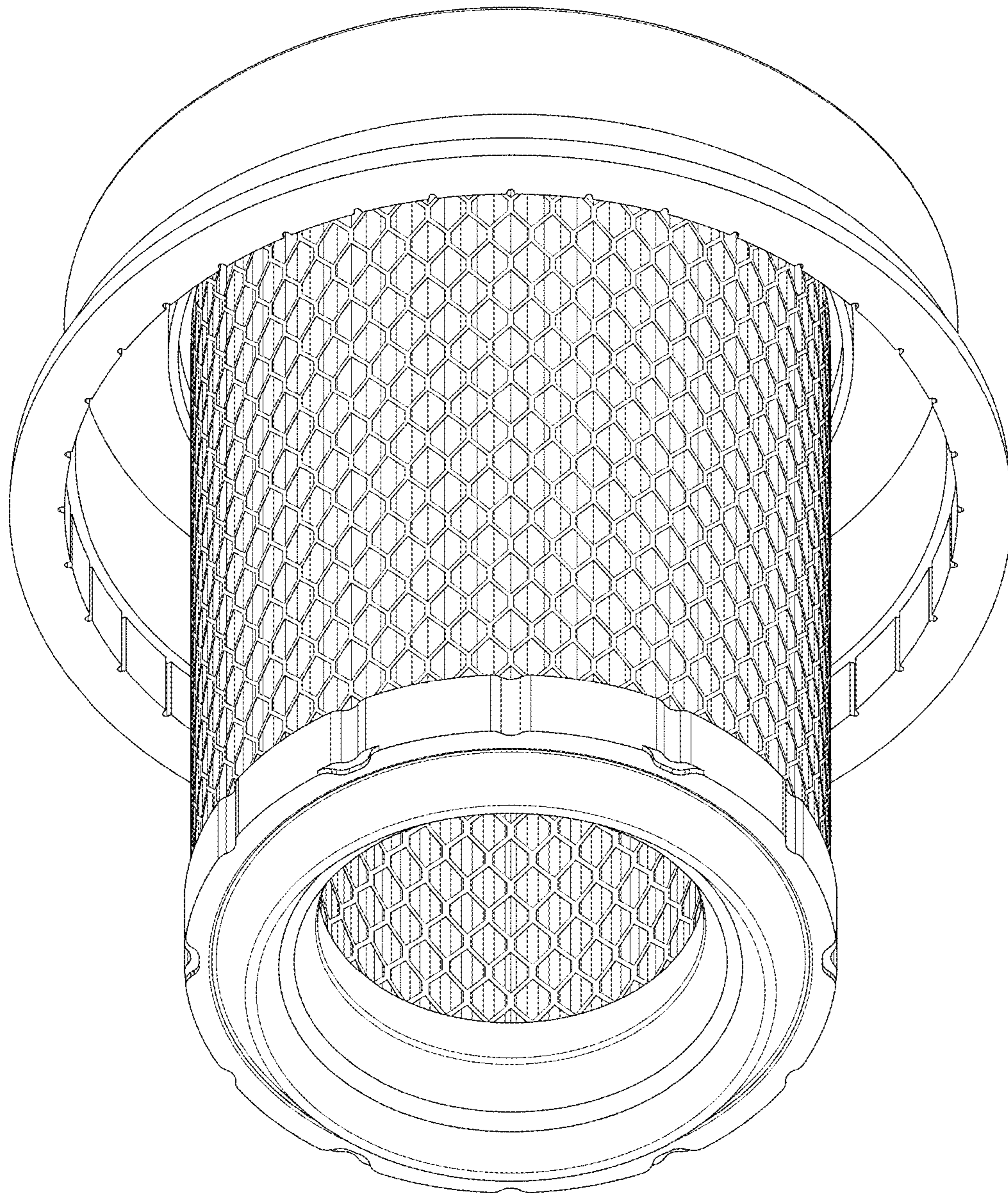


FIG. 1

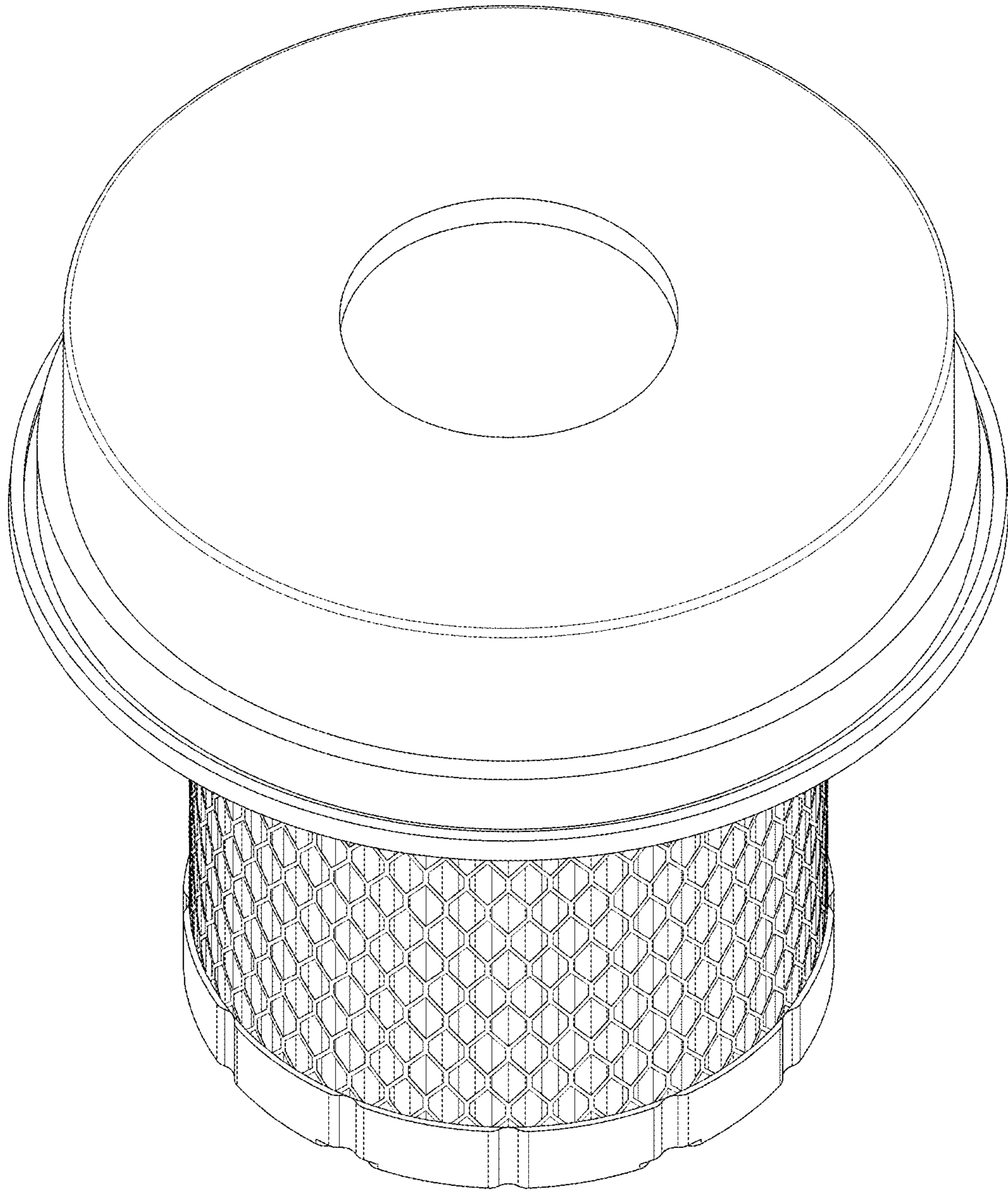


FIG. 2

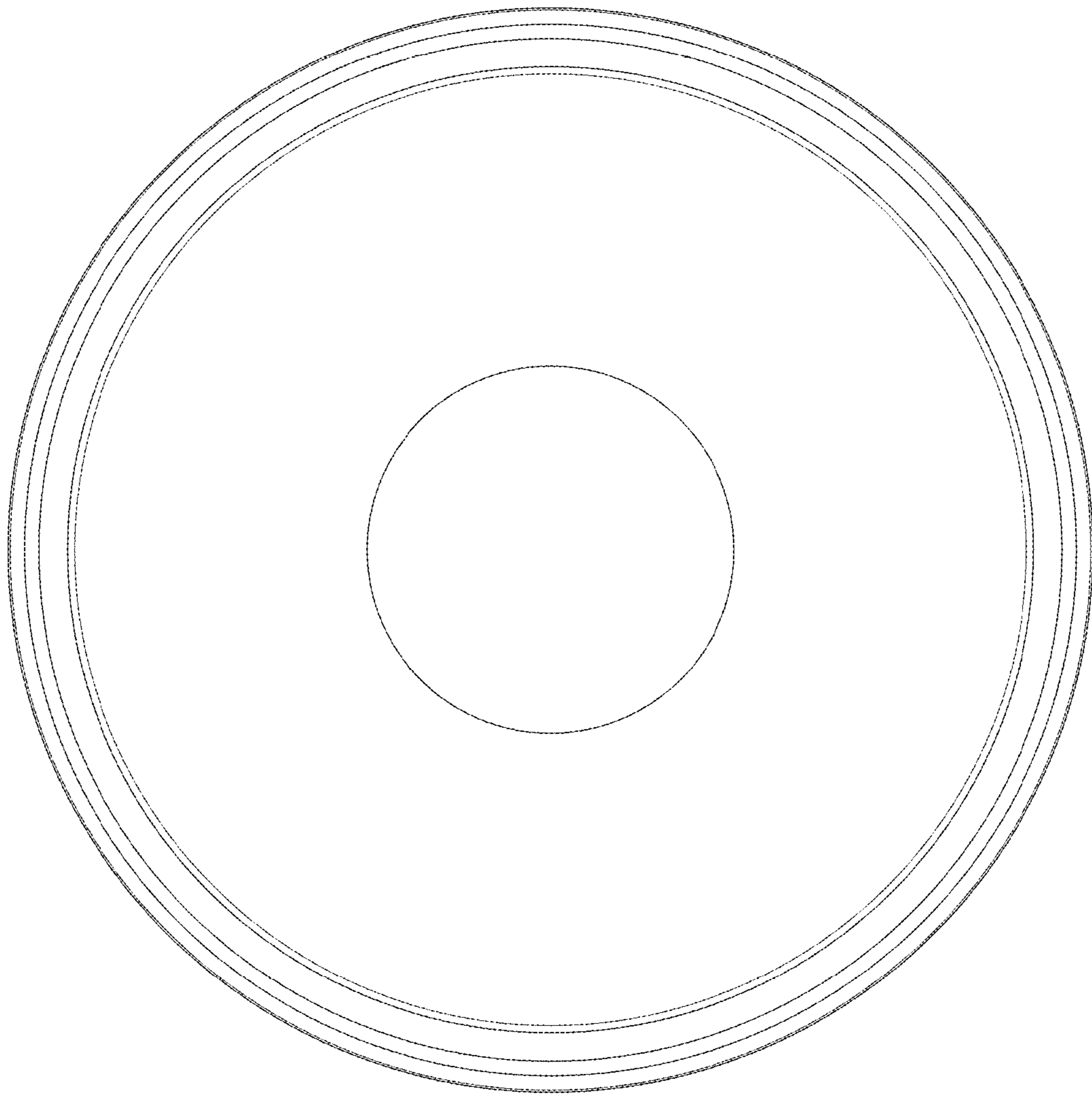


FIG. 3

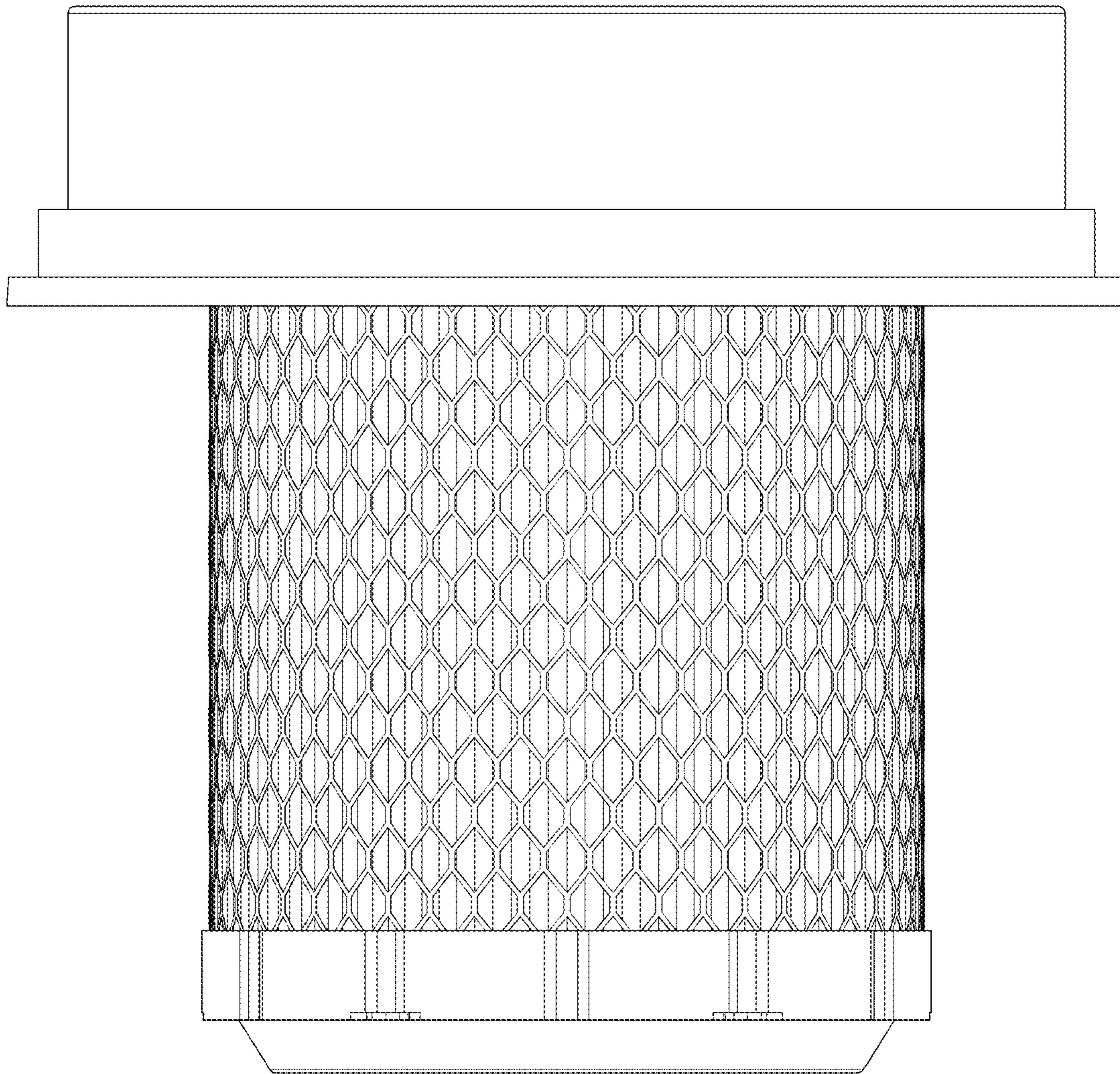


FIG. 4

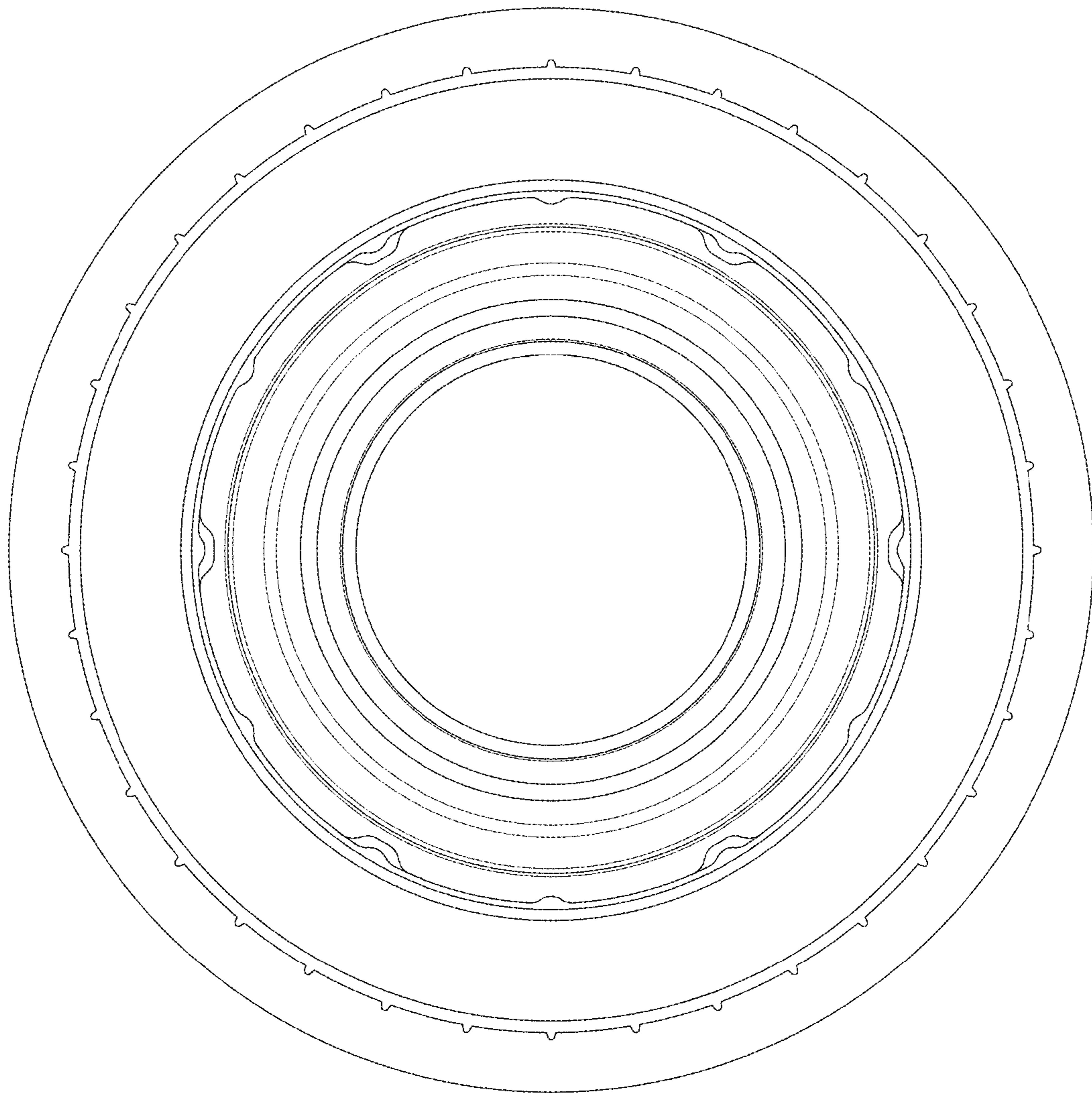


FIG. 5

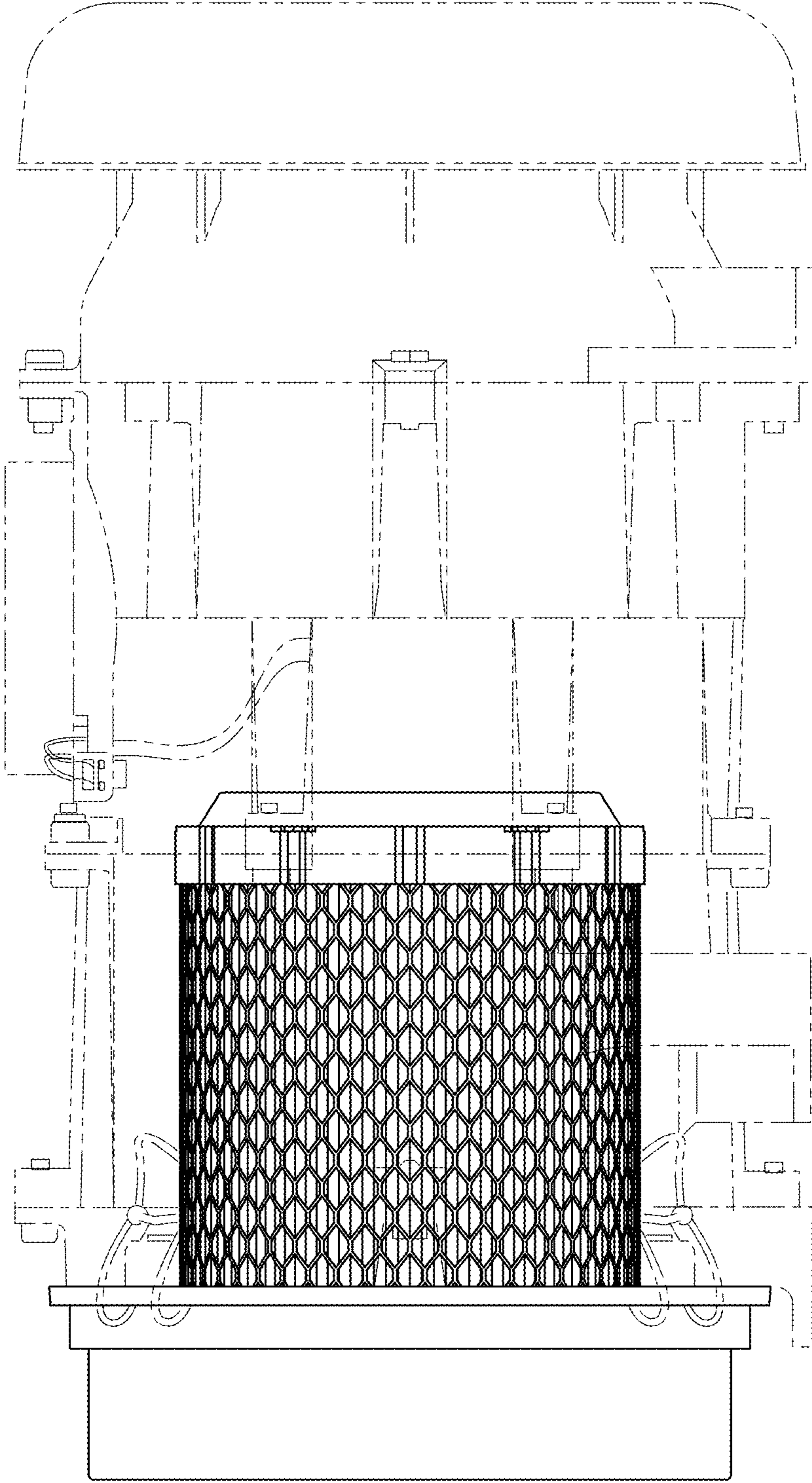


FIG. 6

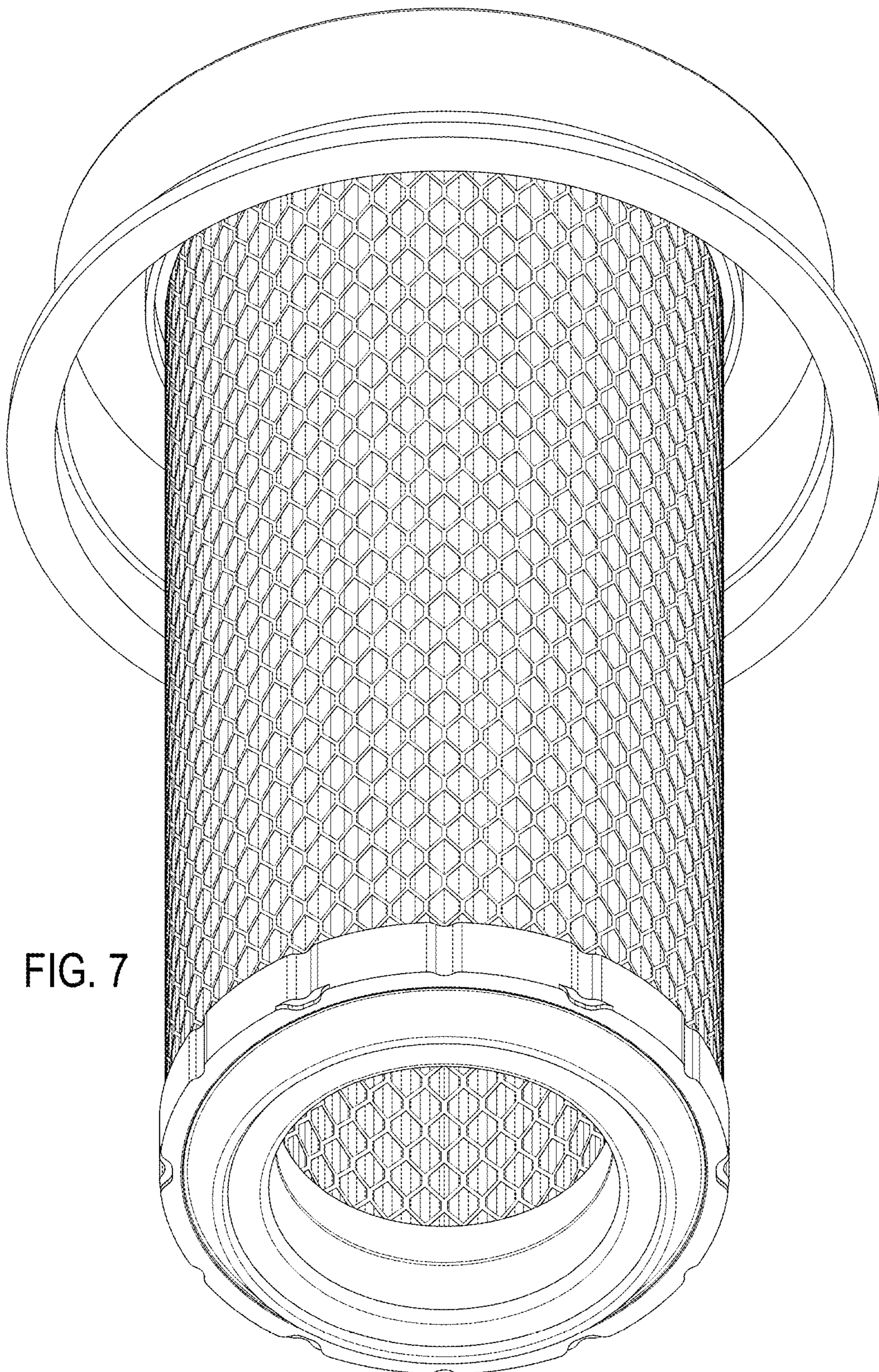


FIG. 7

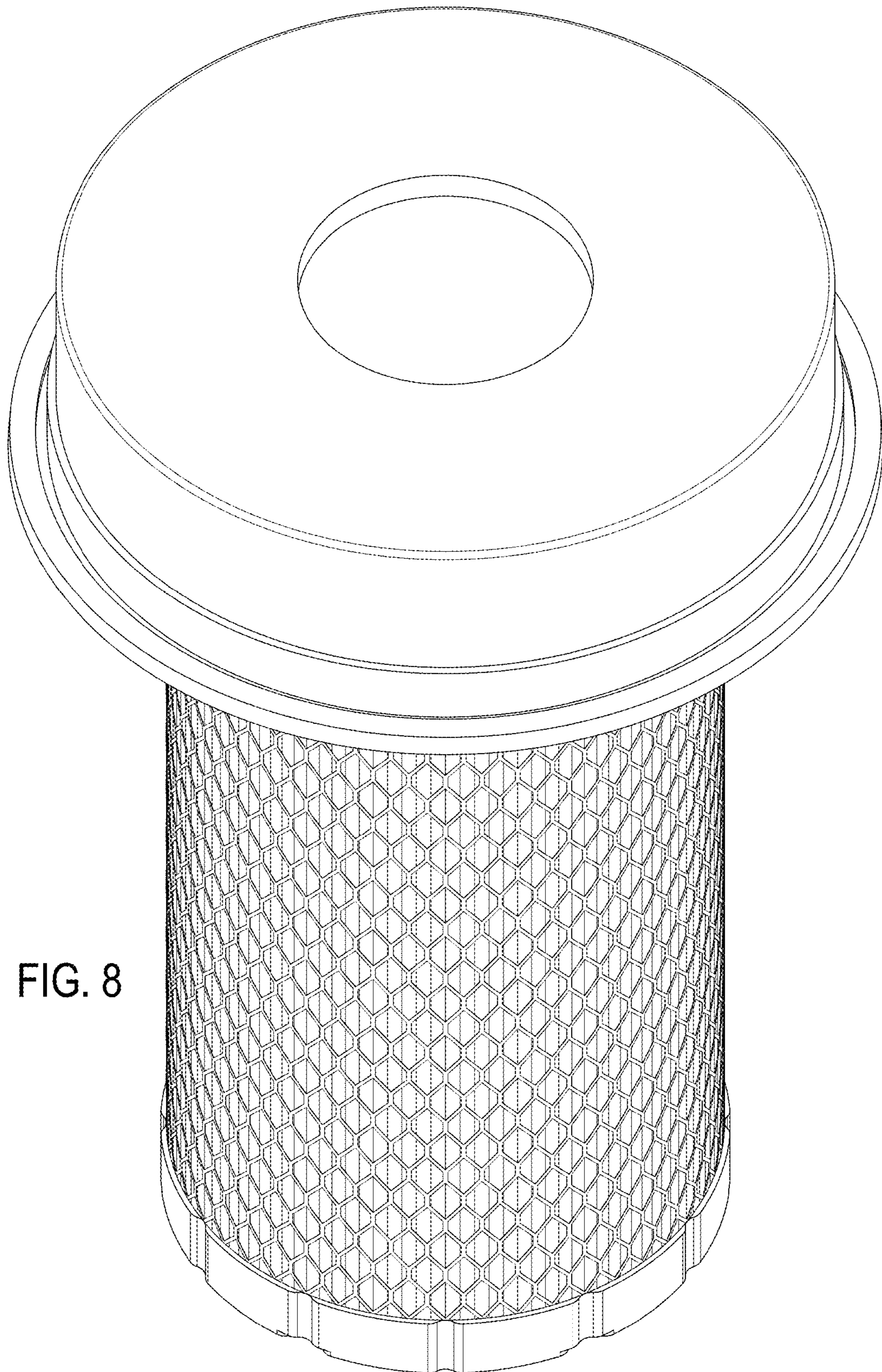


FIG. 8

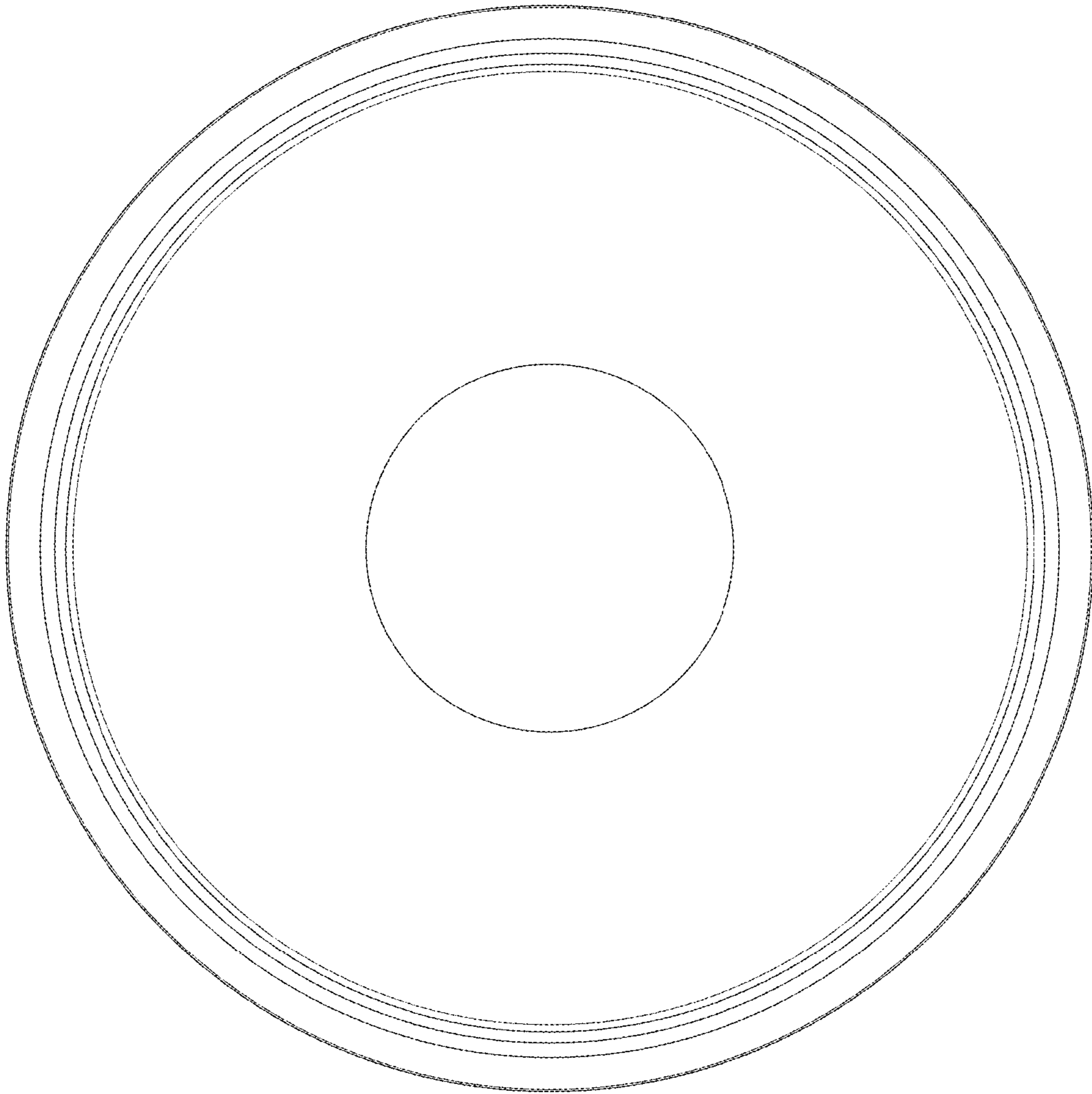


FIG. 9

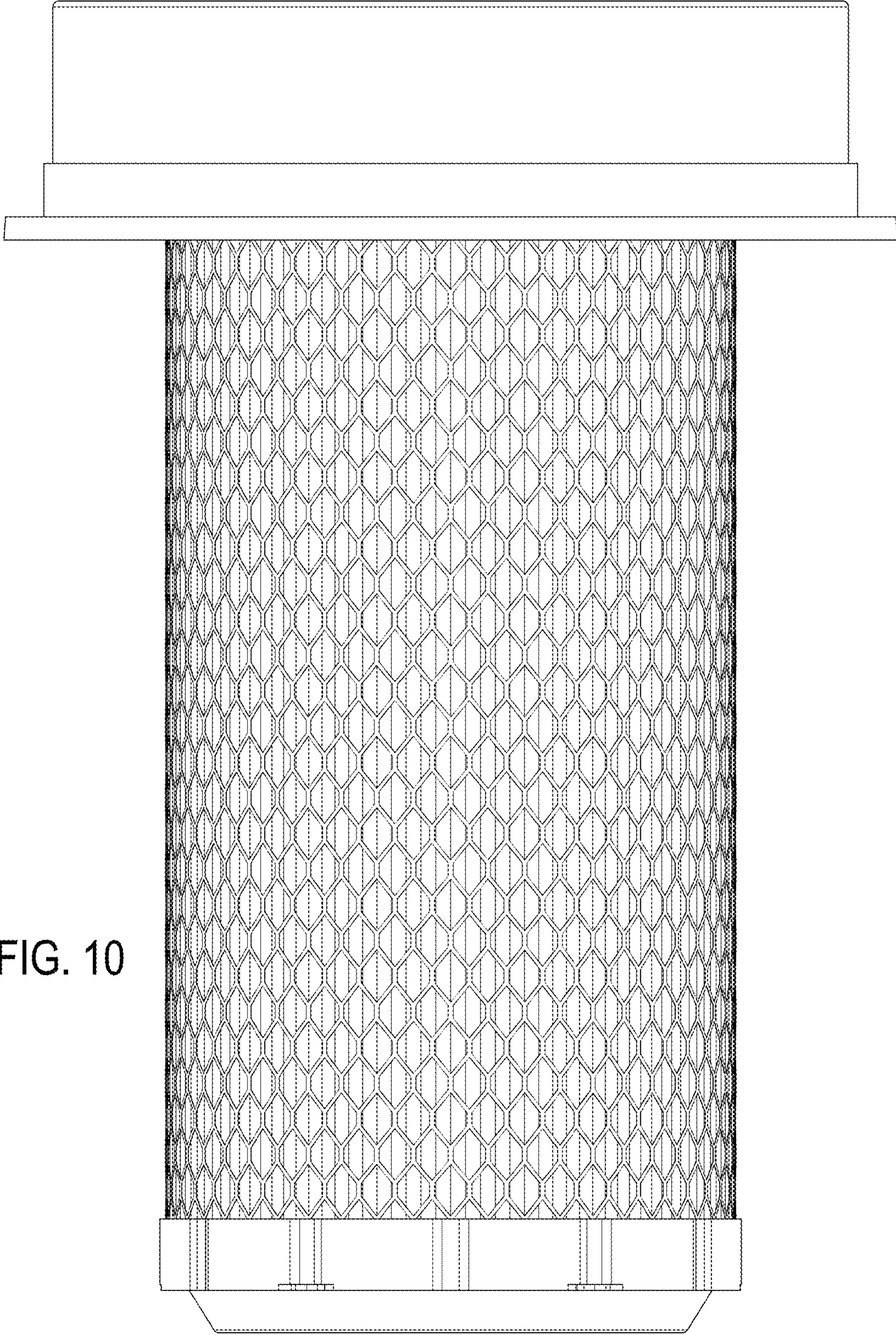


FIG. 10

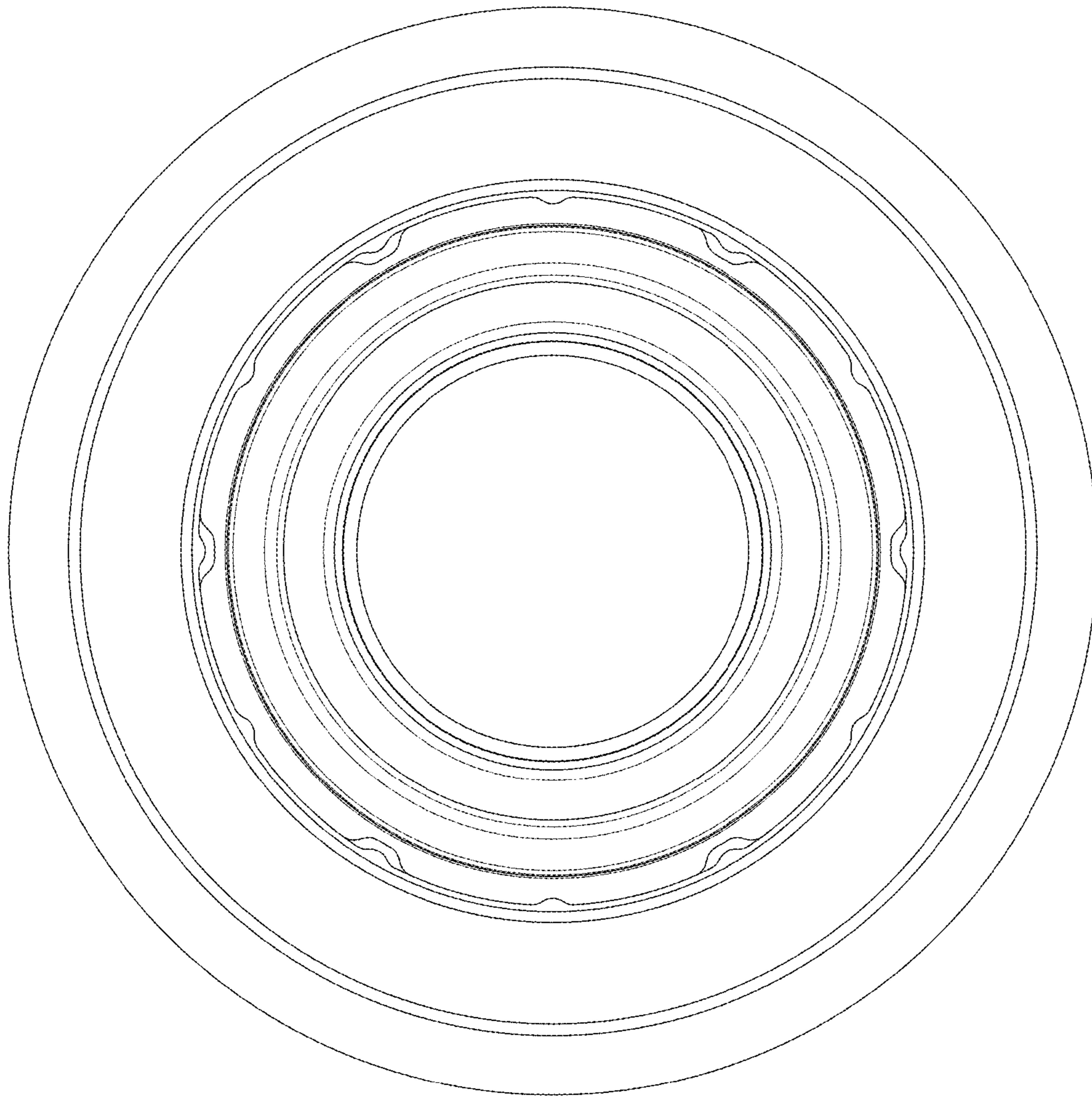


FIG. 11