



US00D768830S

(12) **United States Design Patent** (10) **Patent No.:** **US D768,830 S**
Righi (45) **Date of Patent:** **** Oct. 11, 2016**

(54) **SHOWER UNIT**

- (71) Applicant: **G.F. S.R.L.**, Correggio (Reggio Emilia) (IT)
(72) Inventor: **Cesare Mattia Righi**, Ravarino (IT)
(73) Assignee: **G.F. S.R.L.**, Correggio (IT)
(**) Term: **15 Years**
(21) Appl. No.: **29/559,214**
(22) Filed: **Mar. 25, 2016**

Related U.S. Application Data

- (62) Division of application No. 29/511,894, filed on Dec. 15, 2014, now Pat. No. Des. 759,793.

Foreign Application Priority Data

- Jun. 24, 2014 (EM) 002488841
(51) **LOC (10) Cl.** **23-02**
(52) **U.S. Cl.**
USPC **D23/283**
(58) **Field of Classification Search**
USPC D23/275, 283, 303-304, 228
CPC A47K 3/285; A47K 3/286
See application file for complete search history.

(56) **References Cited**

U.S. PATENT DOCUMENTS

D217,609 S	5/1970	Vicknair et al.
4,757,803 A	7/1988	Dixon
D415,263 S	10/1999	Starck
D436,158 S	1/2001	Burdette et al.
D457,605 S	5/2002	Balish, Jr.
D564,077 S	3/2008	Gaiti
8,046,849 B2	11/2011	Gaiti
8,104,112 B2	1/2012	Tsai et al.
8,161,964 B2	4/2012	Gaiti
D663,014 S	7/2012	Taylor et al.

Primary Examiner — Robert Delehanty

(74) *Attorney, Agent, or Firm* — Pearne & Gordon LLP

(57) **CLAIM**

The ornamental design for a shower unit, as shown and described.

DESCRIPTION

FIG. 1 is a front-left-top perspective view of a shower unit, showing my new design;
FIG. 2 is a left side elevational view thereof;
FIG. 3 is a front elevational view thereof;
FIG. 4 is a right side elevational view thereof;
FIG. 5 is a back elevational view thereof;
FIG. 6 is a top plan view thereof; and,
FIG. 7 is a bottom plan view thereof.

1 Claim, 4 Drawing Sheets





FIG. 1

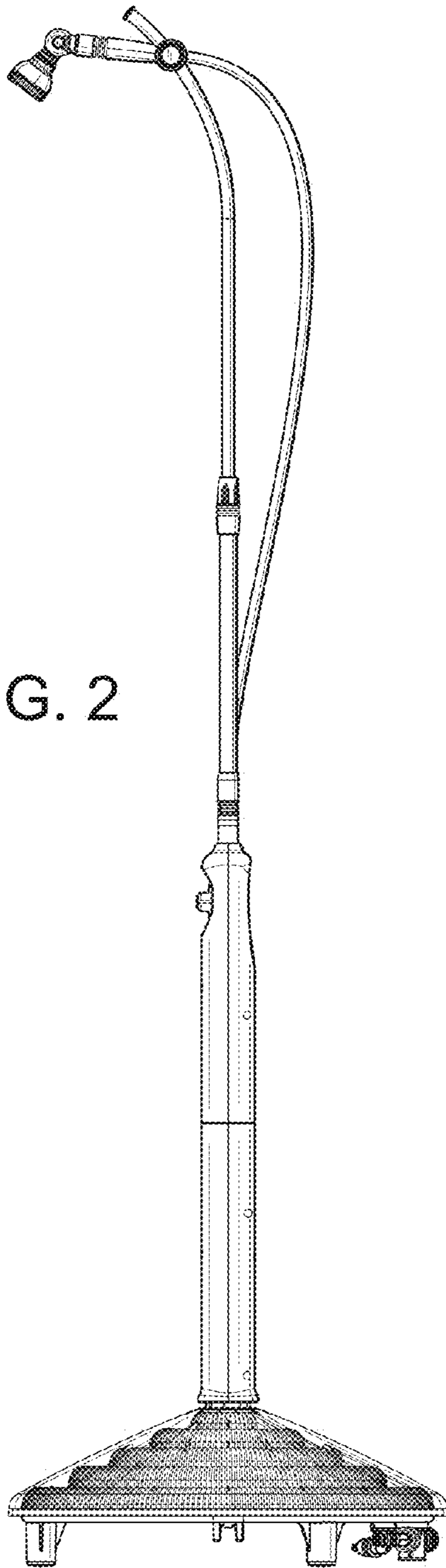


FIG. 2

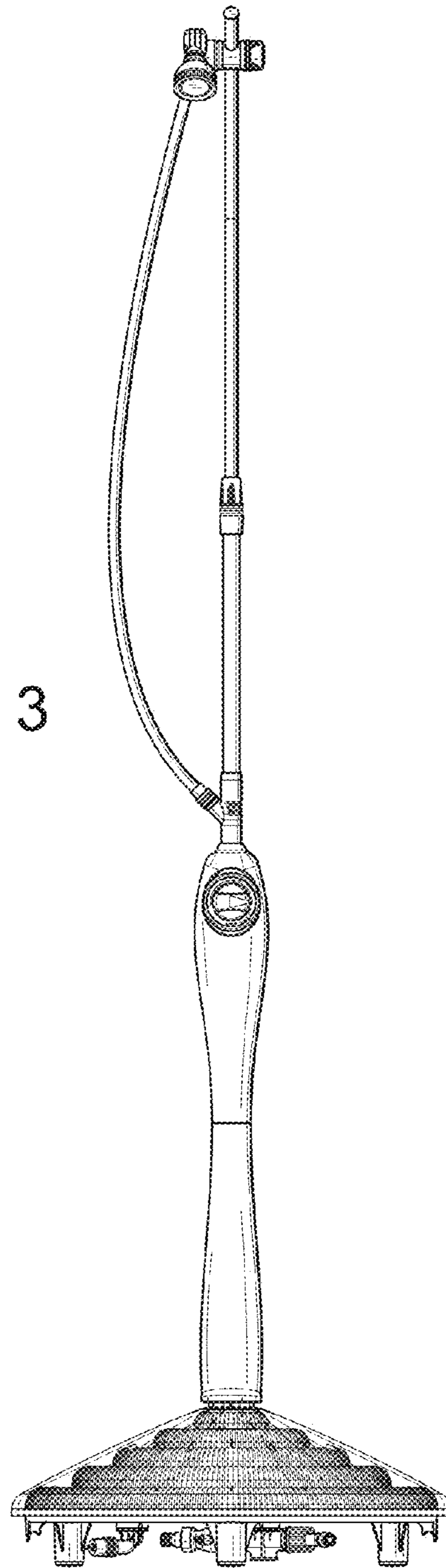


FIG. 3

FIG. 4

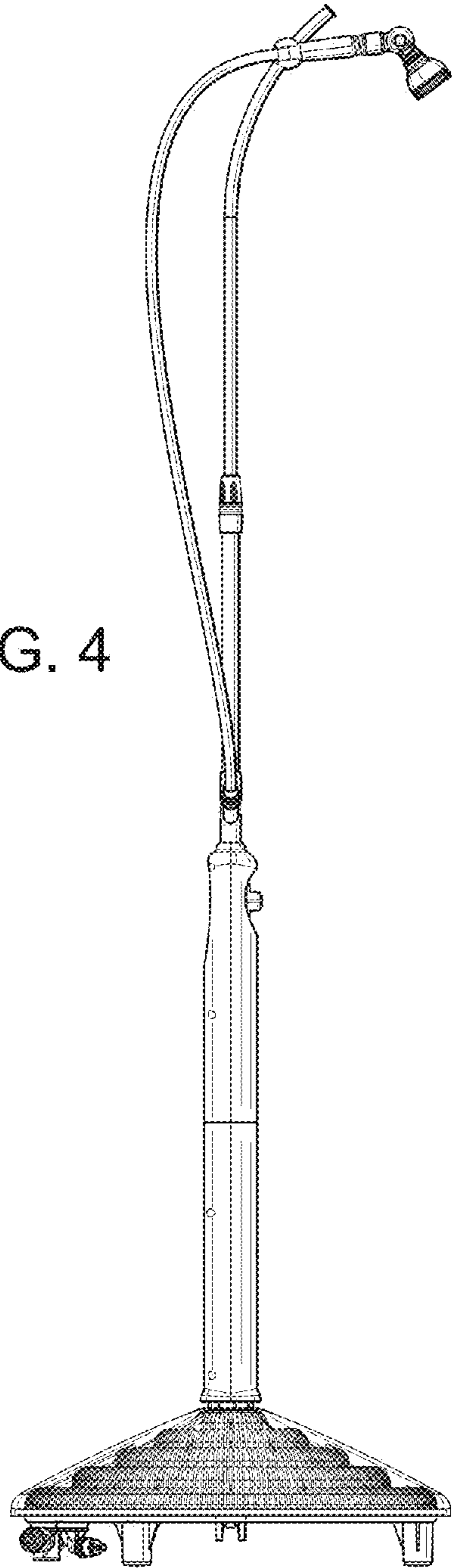
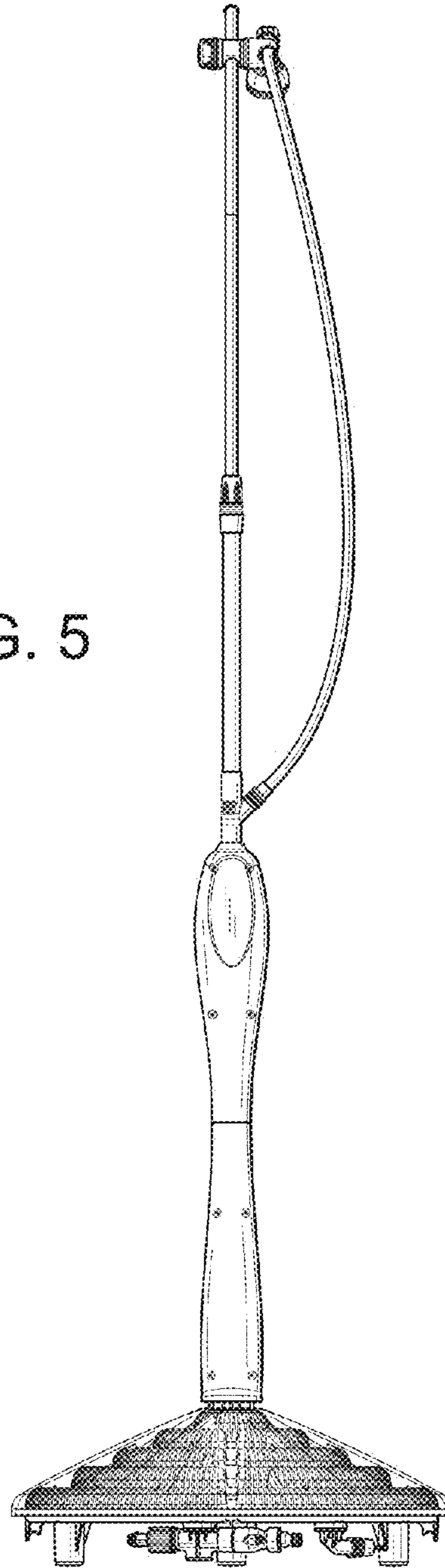


FIG. 5



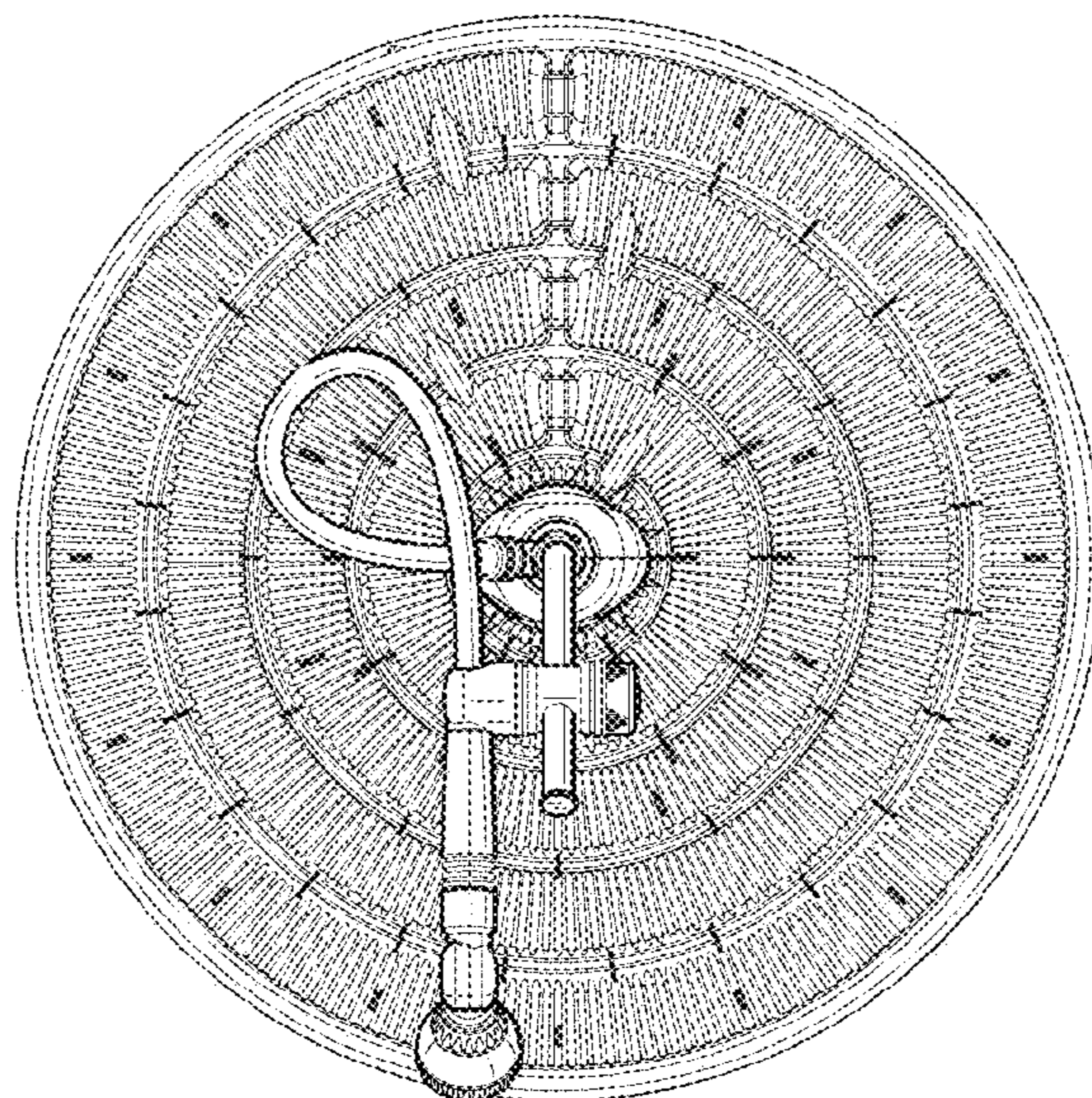


FIG. 6

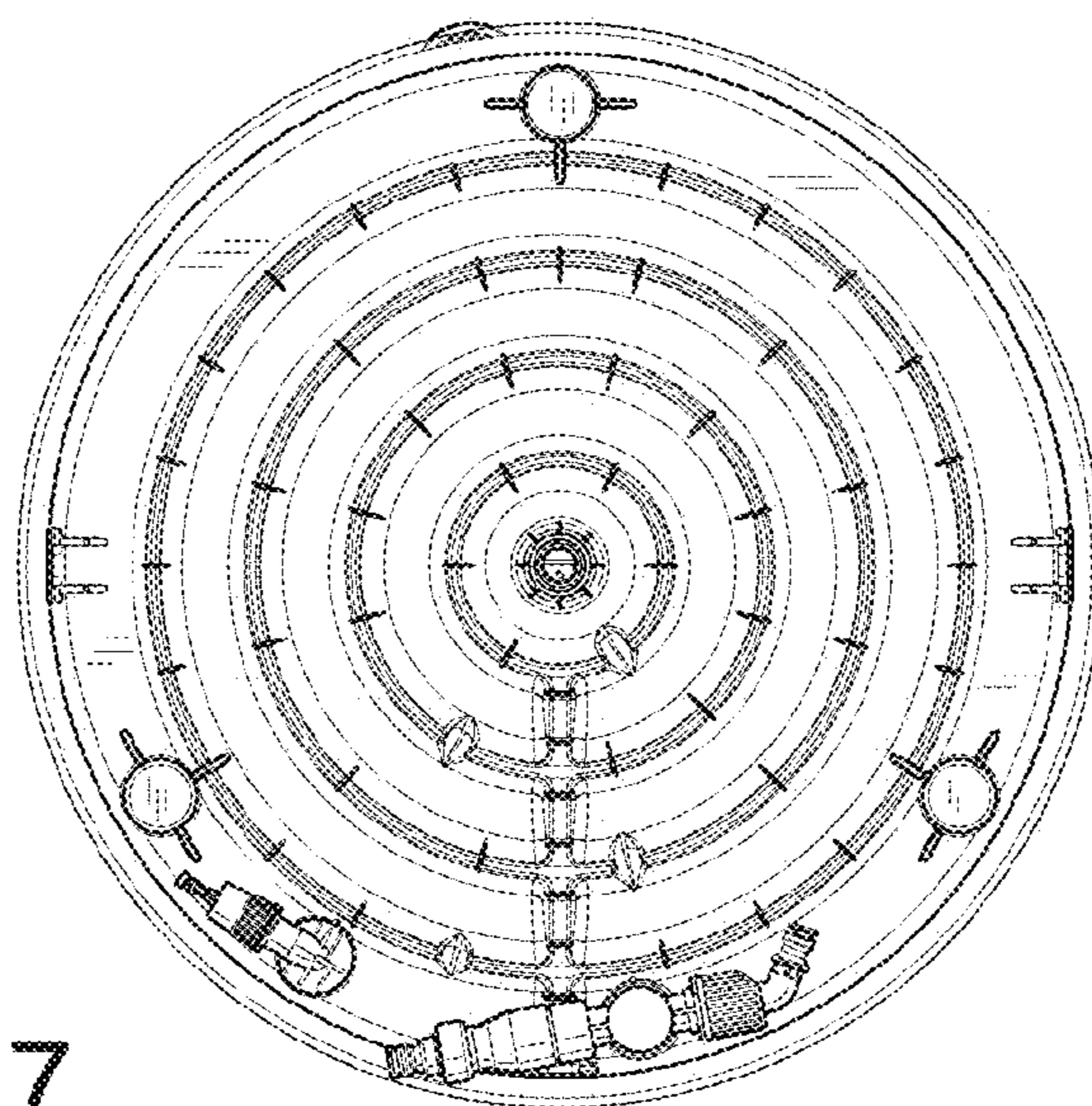


FIG. 7