



US00D768829S

(12) **United States Design Patent** (10) **Patent No.:** **US D768,829 S**
Ball et al. (45) **Date of Patent:** **** Oct. 11, 2016**

(54) **HYDRANT ENCLOSURE**
(71) Applicant: **WCM Industries, Inc.**, Colorado Springs, CO (US)
(72) Inventors: **William T. Ball**, Colorado Springs, CO (US); **Eric Pilarczyk**, Colorado Springs, CO (US)
(73) Assignee: **WCM Industries, Inc.**, Colorado Springs, CO (US)
(**) Term: **14 Years**

D614,736 S * 4/2010 Freiler D23/260
8,042,565 B2 10/2011 Ball et al.
D656,223 S * 3/2012 Cronje D23/233
8,353,309 B1 * 1/2013 Embry A62C 35/20
137/382
D680,621 S * 4/2013 Foster D23/233
D681,784 S * 5/2013 Liljegren D23/262
D715,405 S * 10/2014 McAlpine D23/233
D720,046 S * 12/2014 Morodomi D23/233
D721,787 S * 1/2015 Yoshimura D23/233
D721,788 S * 1/2015 Pifer D23/233
D722,674 S * 2/2015 Lipkens D23/207
D722,676 S * 2/2015 Gaertner D23/233
8,973,599 B2 3/2015 Stanaland

(Continued)

(21) Appl. No.: **29/519,957**
(22) Filed: **Mar. 9, 2015**
(51) **LOC (10) Cl.** **23-01**
(52) **U.S. Cl.**
USPC **D23/259**
(58) **Field of Classification Search**
USPC D23/259, 233-237, 249, 260-263, 265,
D23/266, 499; D24/129
CPC E03B 9/02; F16K 27/12; F16K 35/10;
F16K 27/067; F16K 1/00; E03D 11/16;
F16L 27/04; F16L 39/00; F16L 33/225;
F16L 23/18; E21B 33/047
See application file for complete search history.

OTHER PUBLICATIONS

U.S. Appl. No. 29/529,465, filed Jun. 8, 2015, Ball et al.
(Continued)

Primary Examiner — John Windmuller
Assistant Examiner — Steven Czyz
(74) *Attorney, Agent, or Firm* — Sheridan Ross P.C.

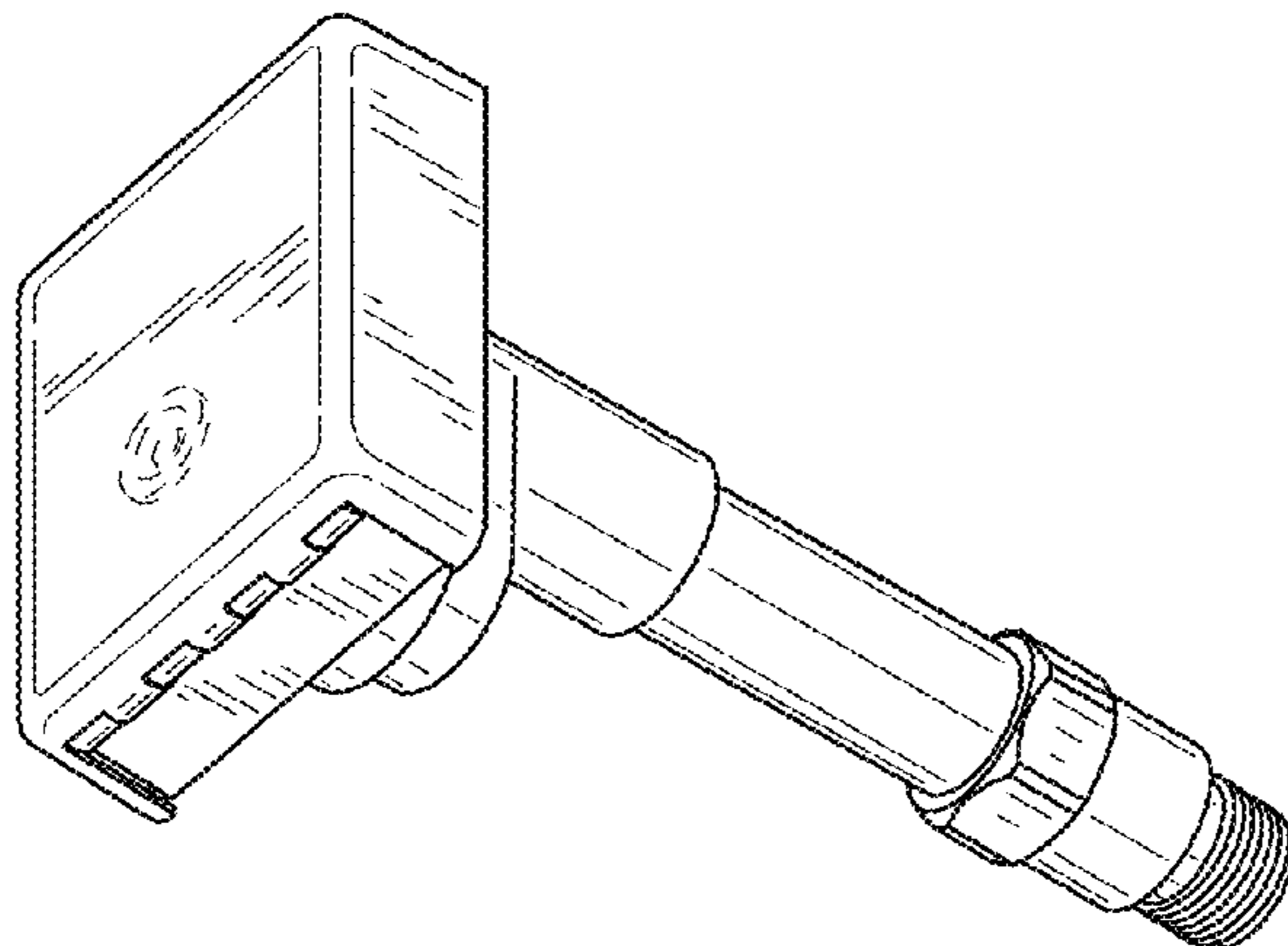
(57) **CLAIM**
The ornamental design for a hydrant enclosure, as shown and described.

DESCRIPTION

FIG. 1 is a perspective view of the hydrant enclosure showing the new design;
FIG. 2 is a front elevation view thereof;
FIG. 3 is a rear elevation view thereof;
FIG. 4 is a right elevation view thereof;
FIG. 5 is a left elevation view thereof;
FIG. 6 is a top plan view thereof;
FIG. 7 is a bottom plan view thereof; and,
FIG. 8 is a perspective view thereof, wherein a door of the enclosure is shown in an open position.
The broken lines depict portions of the article that form no part of the claimed design.

1 Claim, 6 Drawing Sheets

(56) **References Cited**
U.S. PATENT DOCUMENTS
D180,010 S * 4/1957 Britton et al. D23/235
D216,791 S * 3/1970 Woodford et al. D23/234
D228,554 S * 10/1973 Magorien et al. D23/263
D245,255 S * 8/1977 Porter D23/260
D275,616 S * 9/1984 Gray D10/84
D283,204 S * 4/1986 McDonald D10/96
D285,824 S * 9/1986 Anderson D23/214
D318,718 S * 7/1991 Blatt D13/133
5,964,246 A * 10/1999 Meeker E03B 7/12
137/360
6,948,512 B2 * 9/2005 McKeague E03B 9/04
134/168 C
D612,465 S * 3/2010 Salsler D23/266



(56)

References Cited

U.S. PATENT DOCUMENTS

D729,352 S *	5/2015	Ball	D23/259
D729,353 S *	5/2015	Ball	D23/259
D733,844 S *	7/2015	Ball	D23/259
D733,845 S *	7/2015	Ball	D23/259
D737,942 S *	9/2015	Ball	D23/259
2004/0000337 A1 *	1/2004	Cooper	A62C 37/50 137/377
2006/0086921 A1 *	4/2006	Ball	E03B 9/025 251/148
2011/0062834 A1 *	3/2011	Ball	A62C 35/20 312/215
2014/0202558 A1 *	7/2014	Chou	F16K 27/12 137/377
2015/0000767 A1 *	1/2015	Ball	E03B 9/025 137/382
2015/0240460 A1	8/2015	Ball et al.		

OTHER PUBLICATIONS

Notice of Allowance for U.S. Appl. No. 29/514,306, mailed Apr. 24, 2015 10 pages.
 Notice of Allowance for U.S. Appl. No. 29/514,307, mailed May 7, 2015 7 pages.
 Notice of Allowance for U.S. Appl. No. 29/514,308, mailed Jul. 7, 2015 7 pages.

U.S. Appl. No. 29/503,651, filed Sep. 29, 2014, Ball et al.
 U.S. Appl. No. 29/503,653, filed Sep. 29, 2014, Ball et al.
 U.S. Appl. No. 29/514,306, filed Jan. 10, 2015, Ball et al.
 U.S. Appl. No. 29/514,307, filed Jan. 10, 2015, Ball et al.
 U.S. Appl. No. 29/514,308, filed Jan. 10, 2015, Ball et al.
 U.S. Appl. No. 29/519,131, filed Mar. 2, 2015, Ball et al.
 U.S. Appl. No. 29/519,956, filed Mar. 9, 2015, Ball et al.
 Notice of Allowance for U.S. Appl. No. 29/503,651, mailed Mar. 3, 2015, 10 pages.
 Notice of Allowance for U.S. Appl. No. 29/503,653, mailed Mar. 4, 2015, 10 pages.
 Official Action for U.S. Appl. No. 29/514,306, mailed Mar. 4, 2015, 9 pages.
 Official Action for U.S. Appl. No. 29/514,307, mailed Mar. 11, 2015, 7 pages.
 Official Action for U.S. Appl. No. 29/514,308, mailed Mar. 11, 2015, 7 pages.
 U.S. Appl. No. 14/317,627, filed Jun. 27, 2014.
 U.S. Appl. No. 29/503,651, filed Sep. 29, 2014.
 U.S. Appl. No. 29/503,653, filed Sep. 29, 2014.
 U.S. Appl. No. 29/514,306, filed Jan. 10, 2015.
 U.S. Appl. No. 29/514,307, filed Jan. 10, 2015.
 U.S. Appl. No. 29/514,308, filed Jan. 10, 2015.
 U.S. Appl. No. 29/519,131, filed Mar. 2, 2015.
 U.S. Appl. No. 29/519,956, filed Mar. 9, 2015.

* cited by examiner

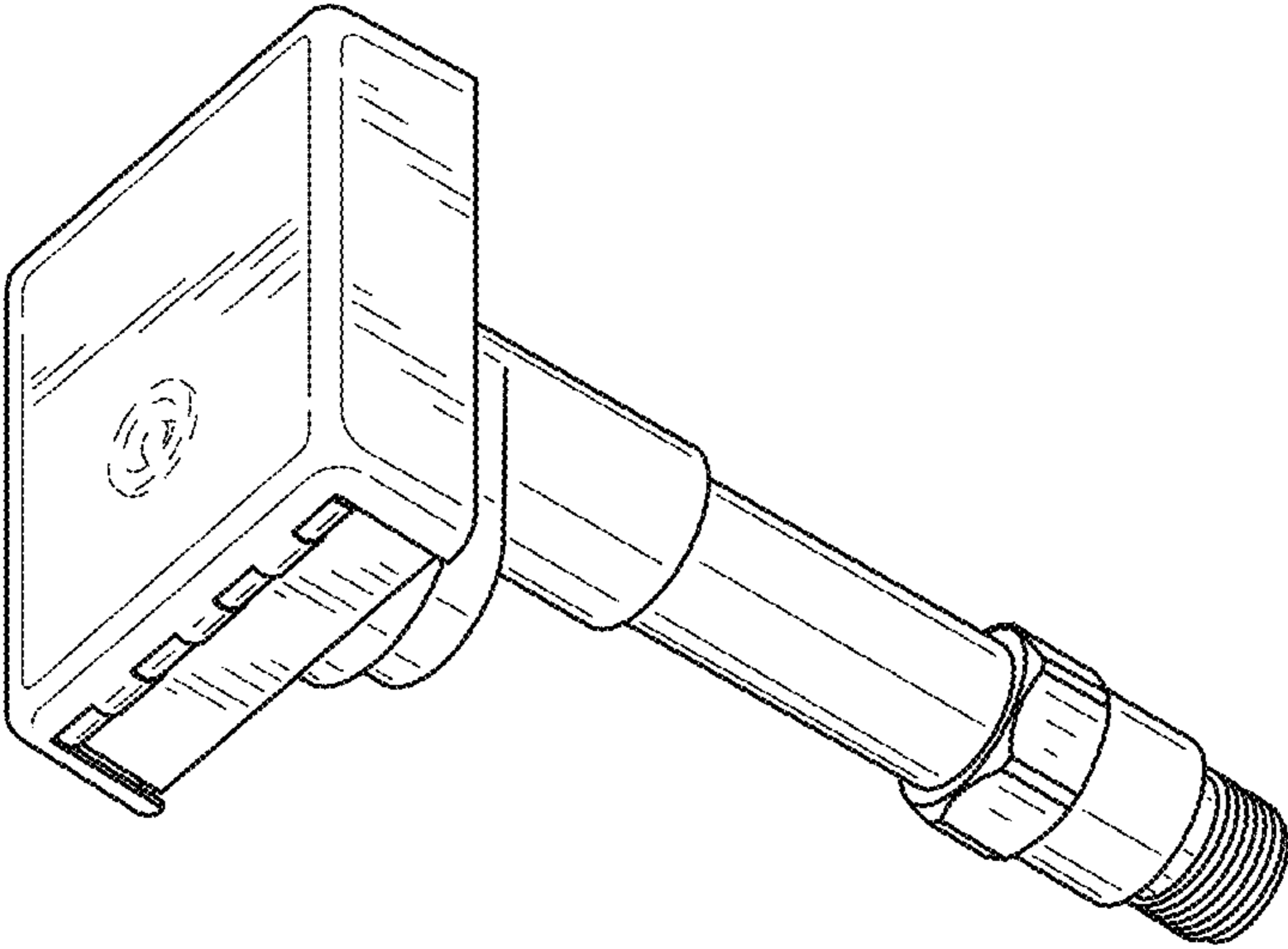


FIG.1

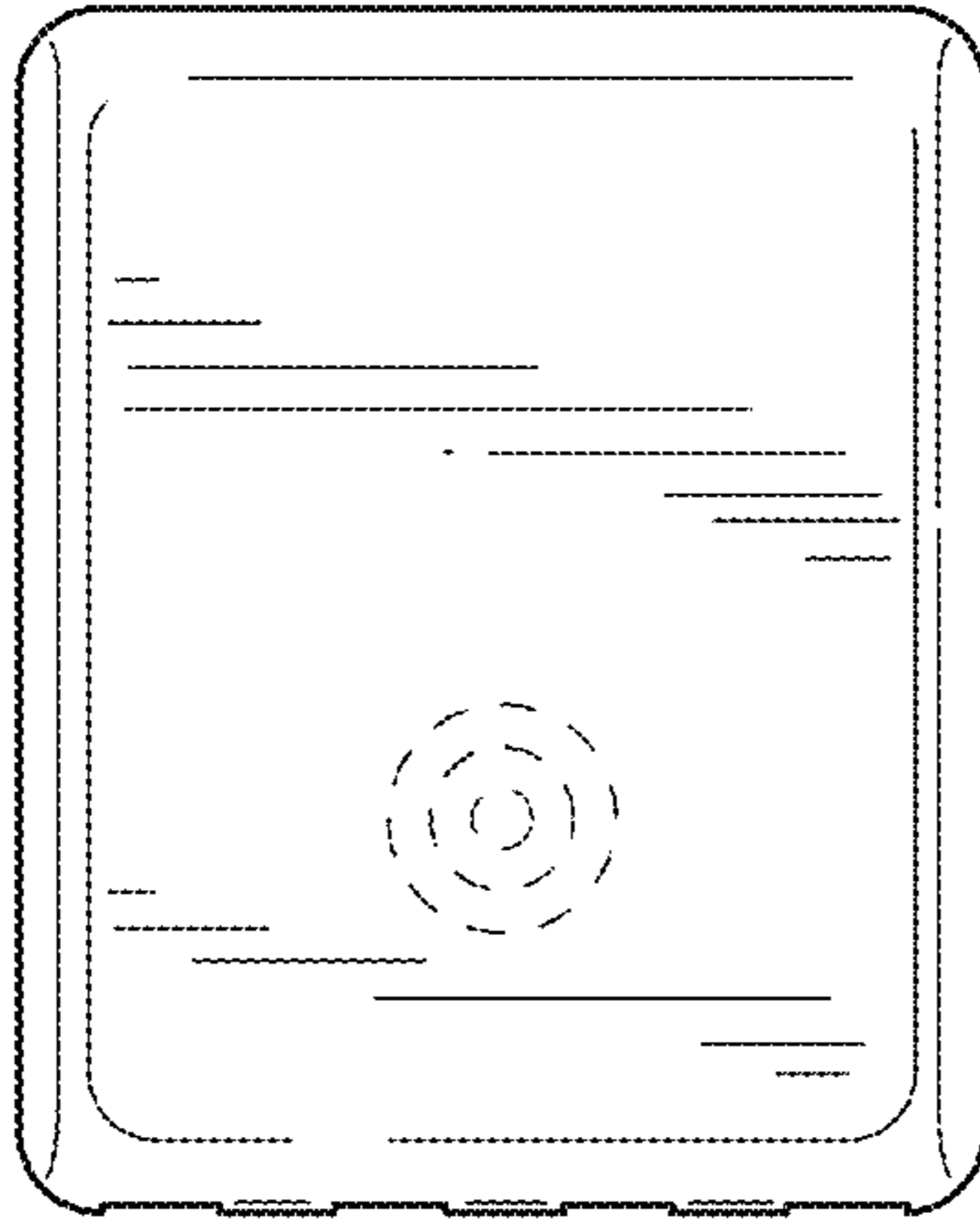


FIG. 2

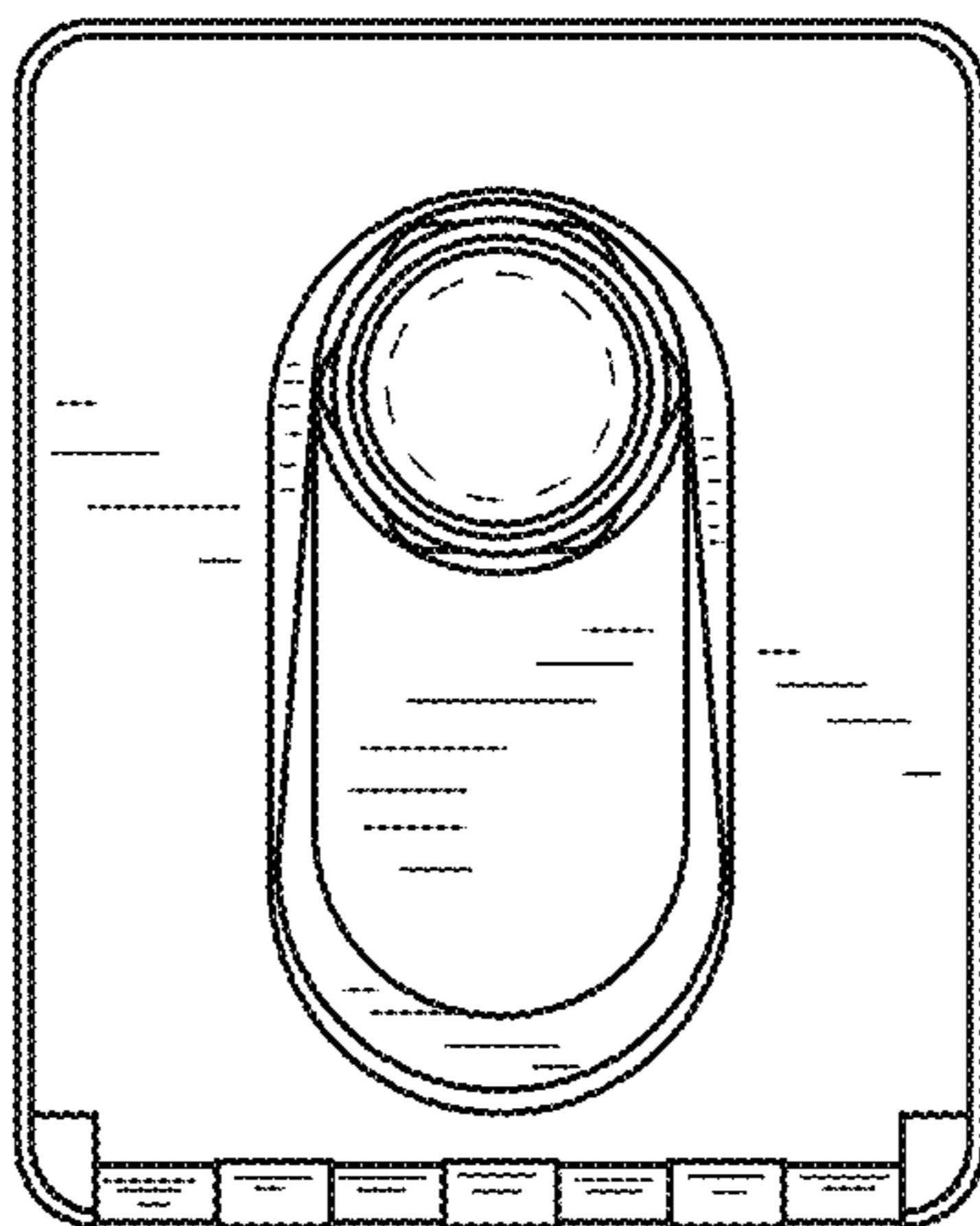


FIG. 3

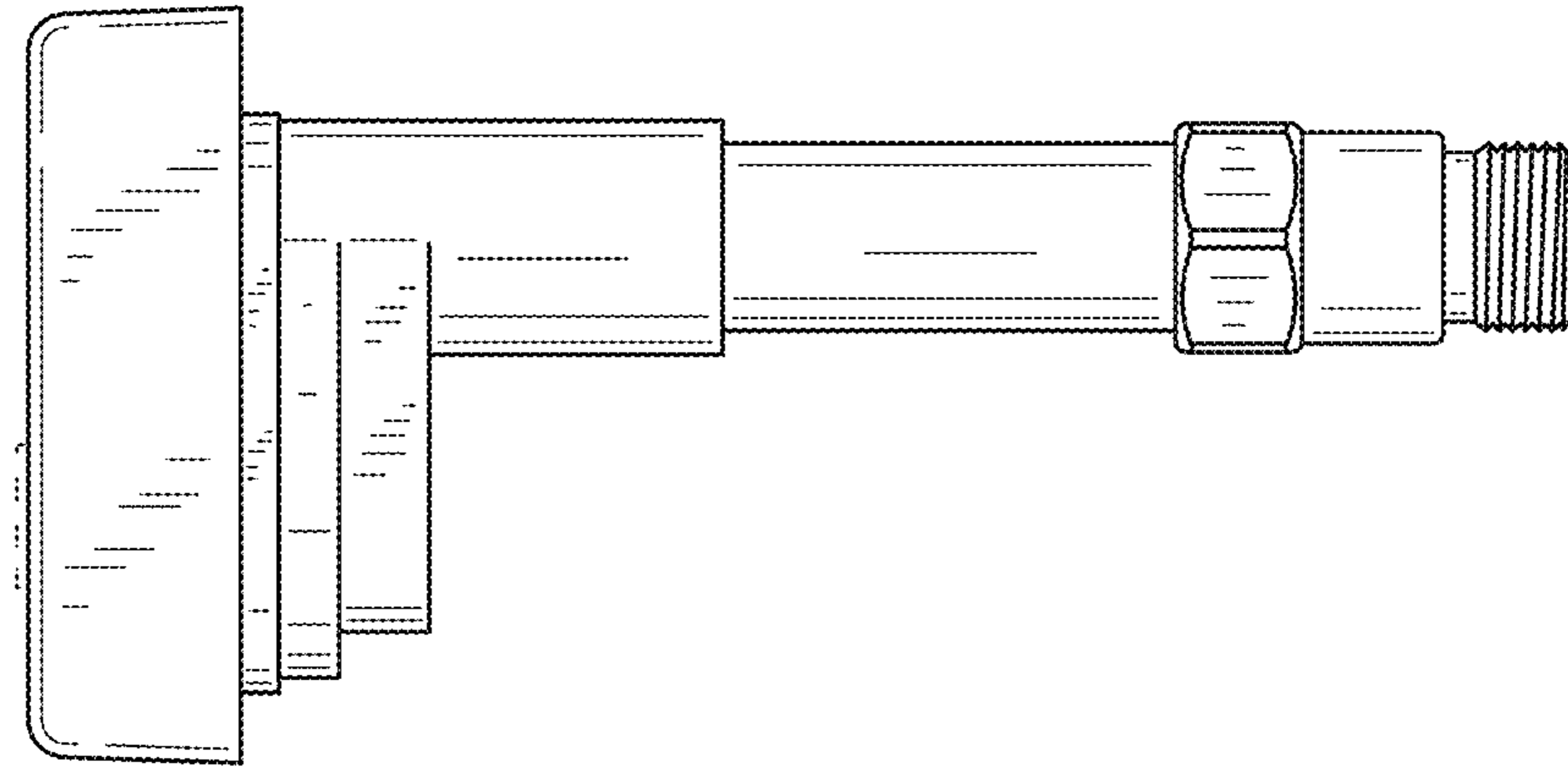


FIG. 4

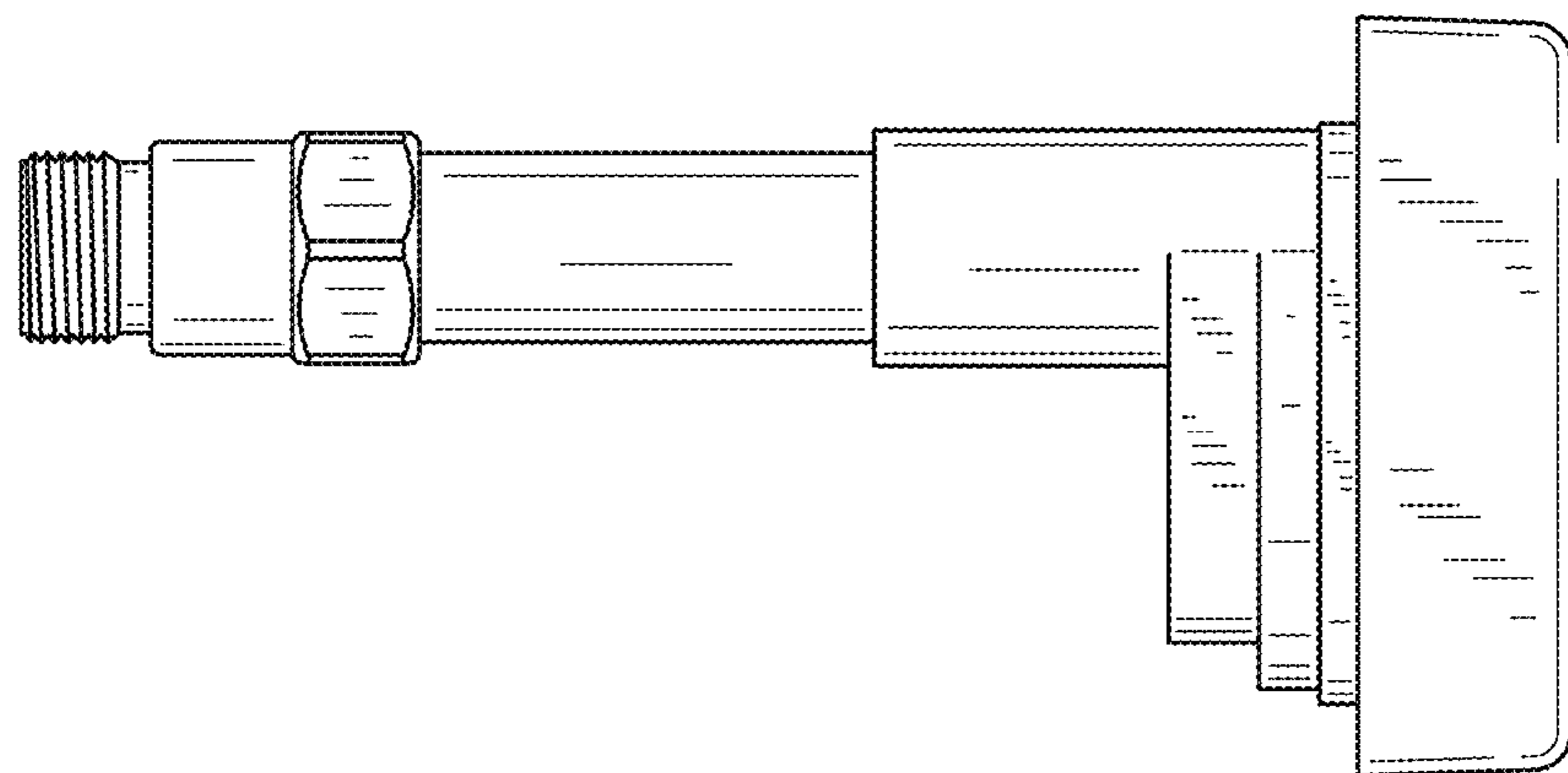


FIG. 5

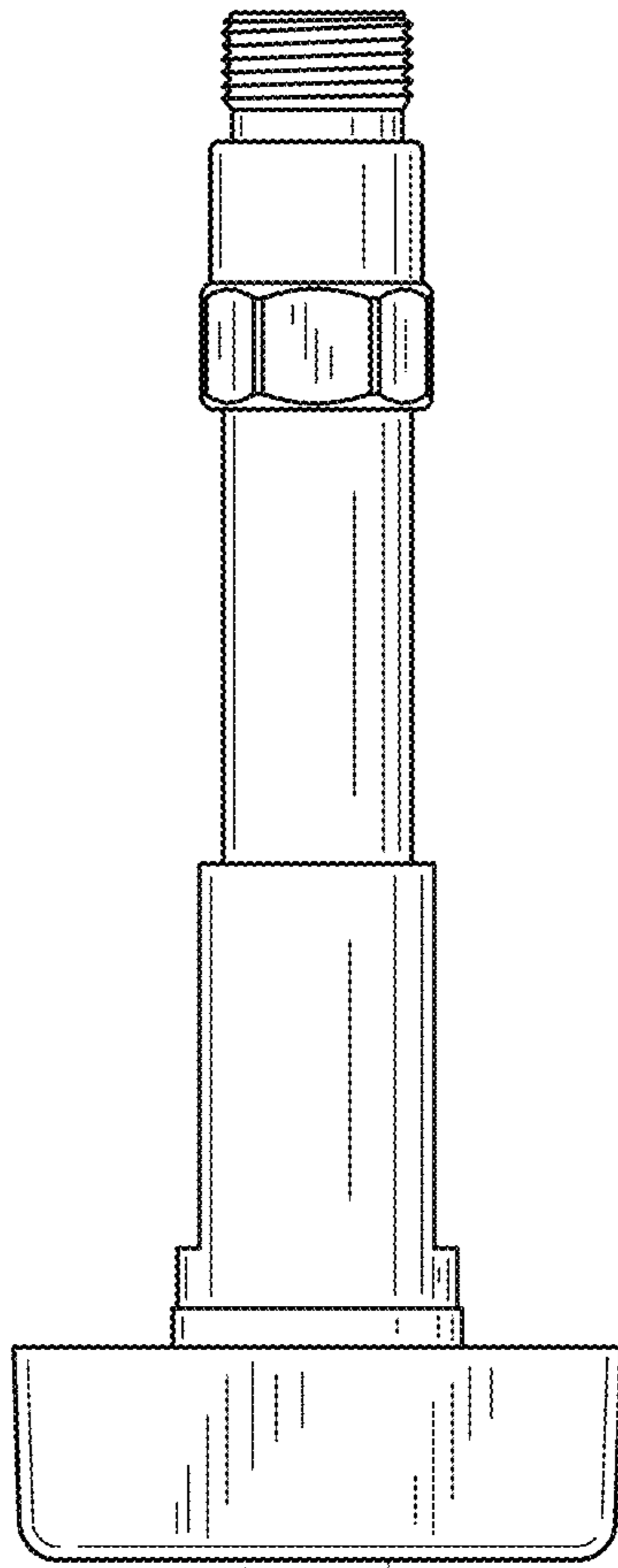


FIG.6

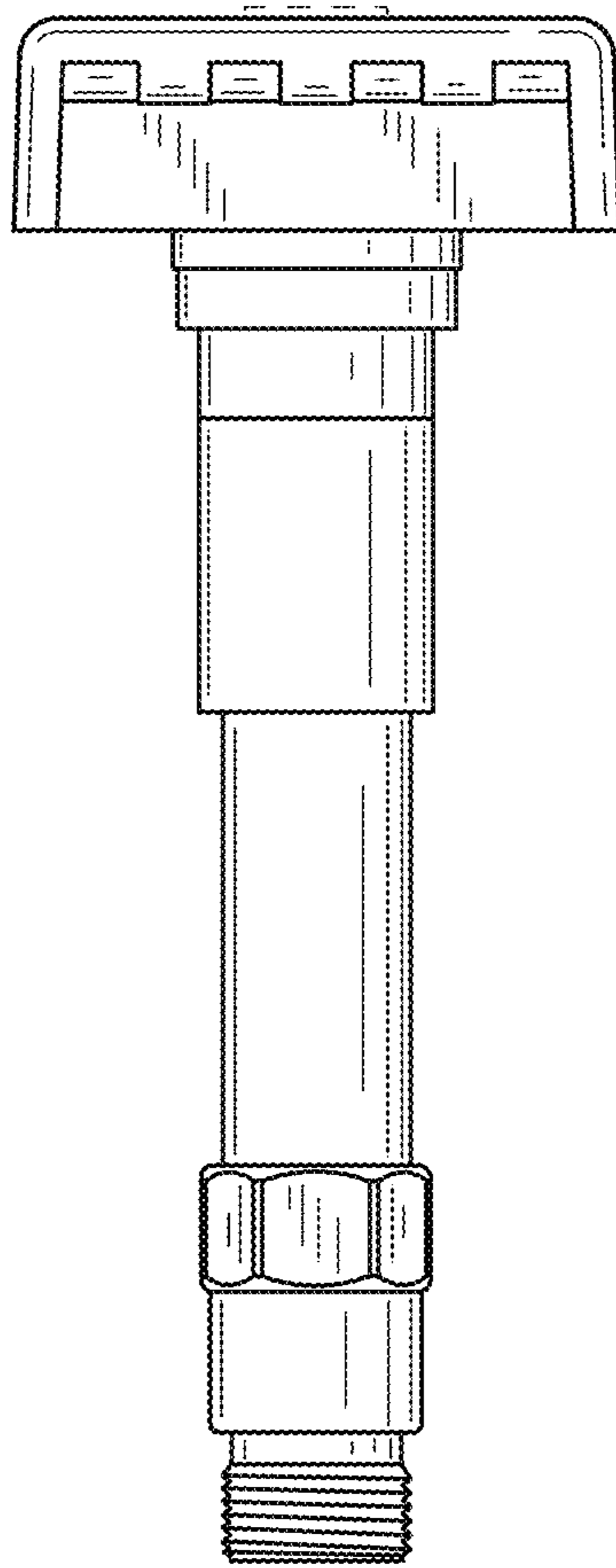


FIG.7

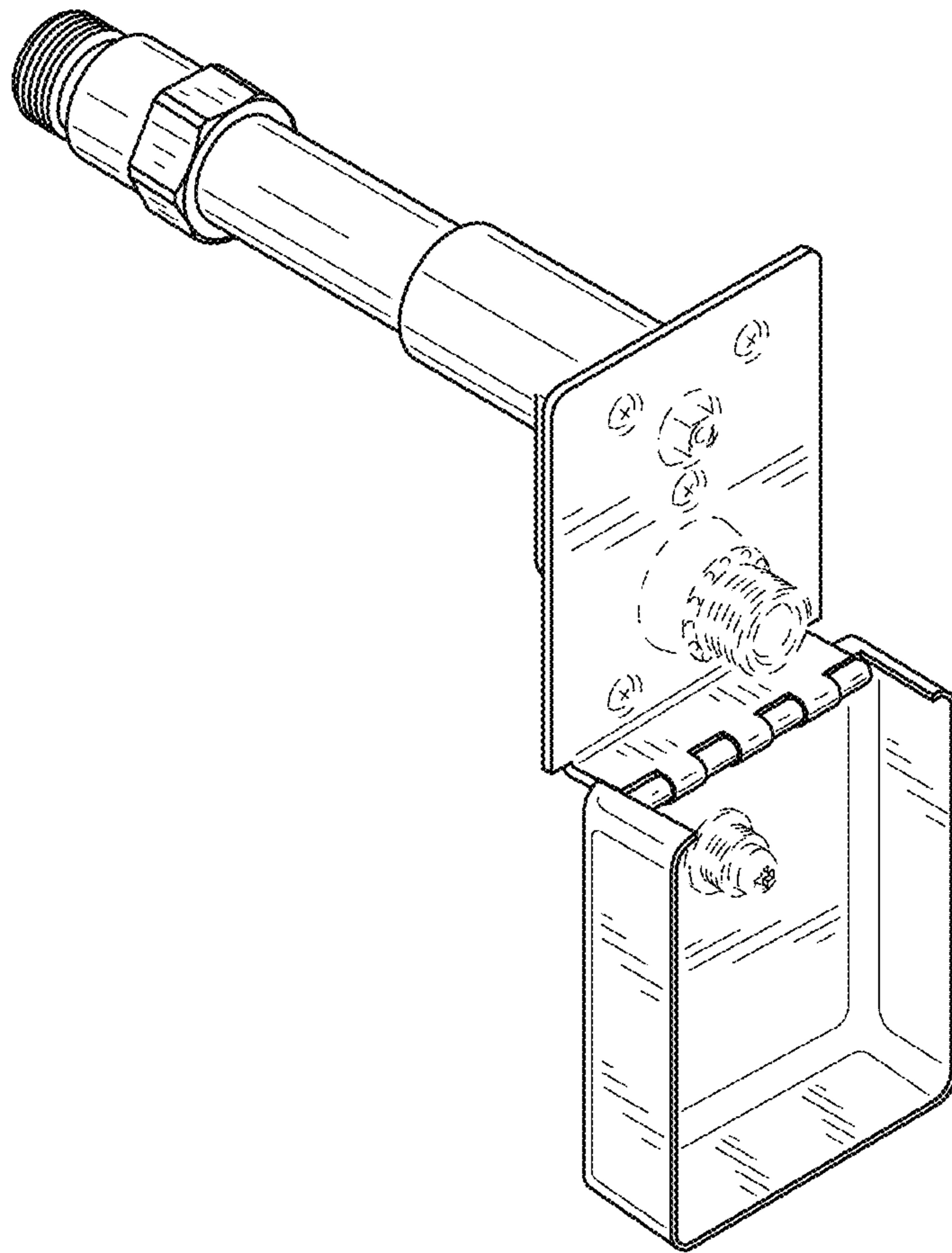


FIG.8