



US00D768828S

(12) **United States Design Patent**
Georgeson

(10) **Patent No.:** **US D768,828 S**

(45) **Date of Patent:** **** Oct. 11, 2016**

(54) **FAUCET HANDLE**

(71) Applicant: **Kohler Co.**, Kohler, WI (US)

(72) Inventor: **Paul B. Georgeson**, Sheboygan, WI (US)

(73) Assignee: **KOHLER CO.**, Kohler, WI (US)

(**) Term: **15 Years**

(21) Appl. No.: **29/545,768**

(22) Filed: **Nov. 16, 2015**

D533,258 S	12/2006	Berberet
D536,561 S	2/2007	Berberet
D566,818 S	4/2008	Kohler et al.
D569,486 S	5/2008	Fritz et al.
D572,799 S	7/2008	Kohler, Jr. et al.
D603,023 S	10/2009	Tippens et al.
D612,016 S	3/2010	Williams
D636,461 S	4/2011	Romero
D644,304 S	8/2011	Slothower et al.
D649,224 S	11/2011	McKeone
D661,782 S	6/2012	Slothower et al.
D680,626 S	4/2013	Kwok
D682,396 S	5/2013	Romero
D682,991 S	5/2013	Liao
D697,178 S	1/2014	Georgeson et al.
D706,905 S	6/2014	Flowers et al.
D713,942 S	9/2014	Potter et al.

Related U.S. Application Data

(62) Division of application No. 29/494,753, filed on Jun. 24, 2014, now Pat. No. Des. 746,414.

(51) **LOC (10) Cl.** **23-01**

(52) **U.S. Cl.**
USPC **D23/252**

(58) **Field of Classification Search**
USPC D23/238, 241–243, 249, 252, 255, 257
CPC E03C 1/04; E03C 1/0401; E03C 1/0402;
E03C 1/0404; E03C 2001/0415
See application file for complete search history.

(56) **References Cited**

U.S. PATENT DOCUMENTS

D349,948 S	8/1994	Bollenbacher et al.
D354,548 S	1/1995	Bollenbacher et al.
D415,259 S	10/1999	Slothower
D419,221 S	1/2000	Lobermeier
D433,483 S	11/2000	Paredes
D463,536 S	9/2002	Lord
D464,117 S	10/2002	Blomstrom
D492,981 S	7/2004	Bloomstrom
D510,760 S	10/2005	Blomstrom
D512,126 S	11/2005	Blomstrom
D531,271 S	10/2006	Kohler et al.

Primary Examiner — Robert Delehanty

(74) *Attorney, Agent, or Firm* — Foley & Lardner LLP

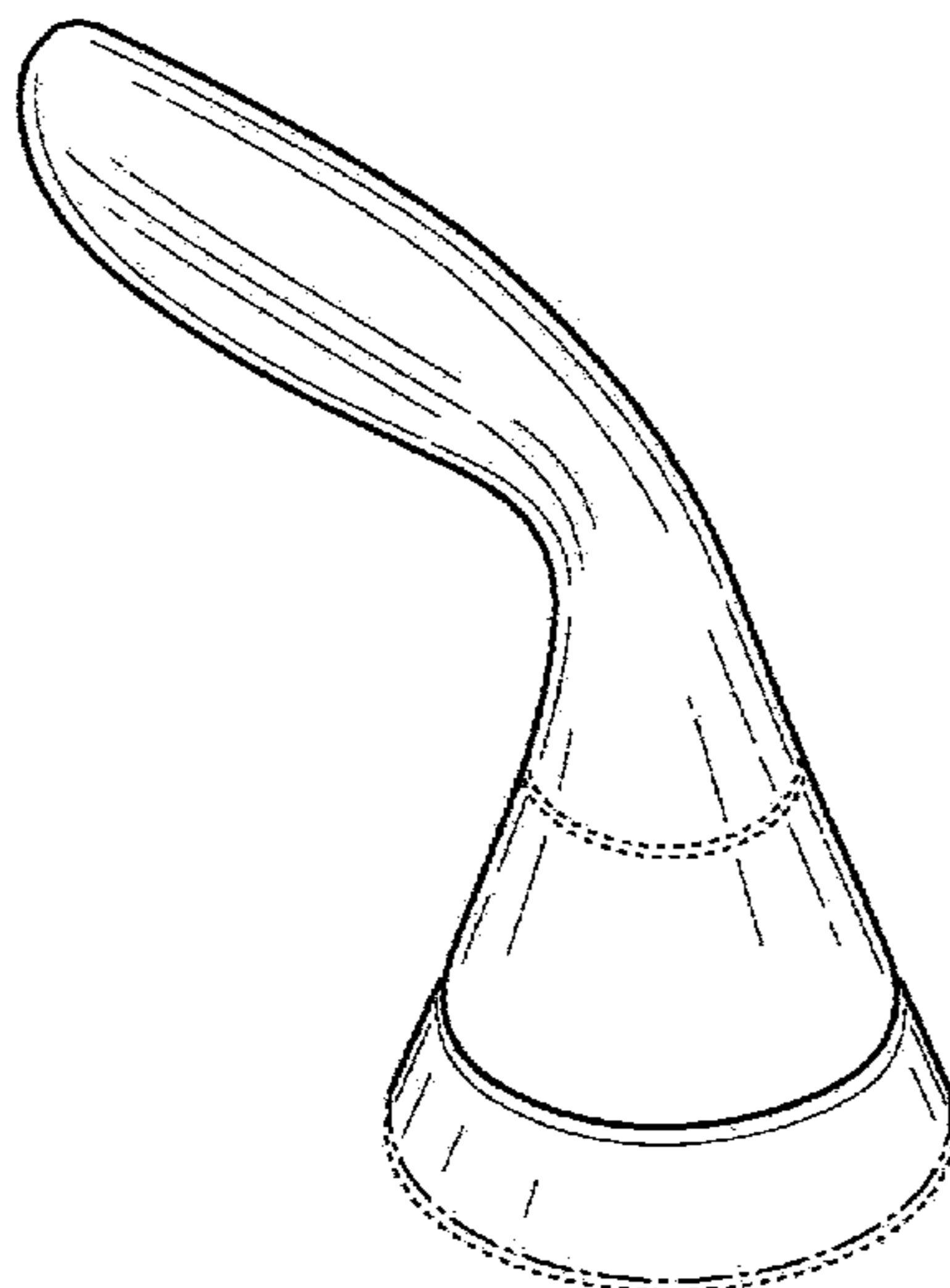
(57) **CLAIM**

I claim the ornamental design for a faucet handle, as shown and described.

DESCRIPTION

FIG. 1 is a top, front, right perspective view of an embodiment of the claimed design;
FIG. 2 is a rear elevation view thereof;
FIG. 3 is a front elevation view thereof;
FIG. 4 is a top plan view thereof;
FIG. 5 is a bottom plan view thereof;
FIG. 6 is a left elevation view thereof; and,
FIG. 7 is a right elevation view thereof.
The ornamental design which is claimed is shown in solid lines in the drawings. The broken lines in the drawings form no part of the claimed design. Broken lines formed by equal length dashes show unclaimed subject matter. Broken lines formed by unequal length dashes (i.e., dash-dot) define bounds of the claimed design.

1 Claim, 7 Drawing Sheets



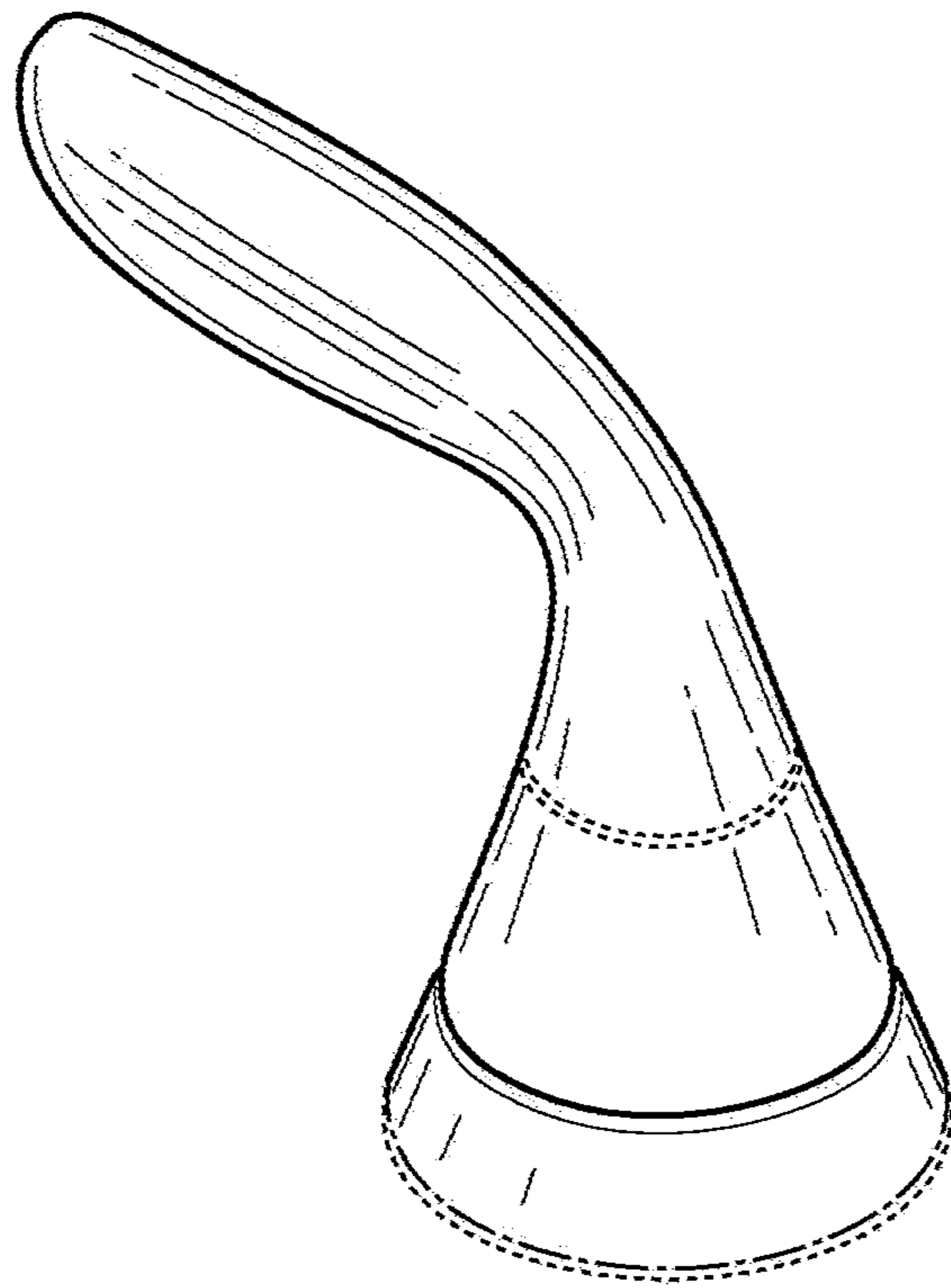


FIG. 1

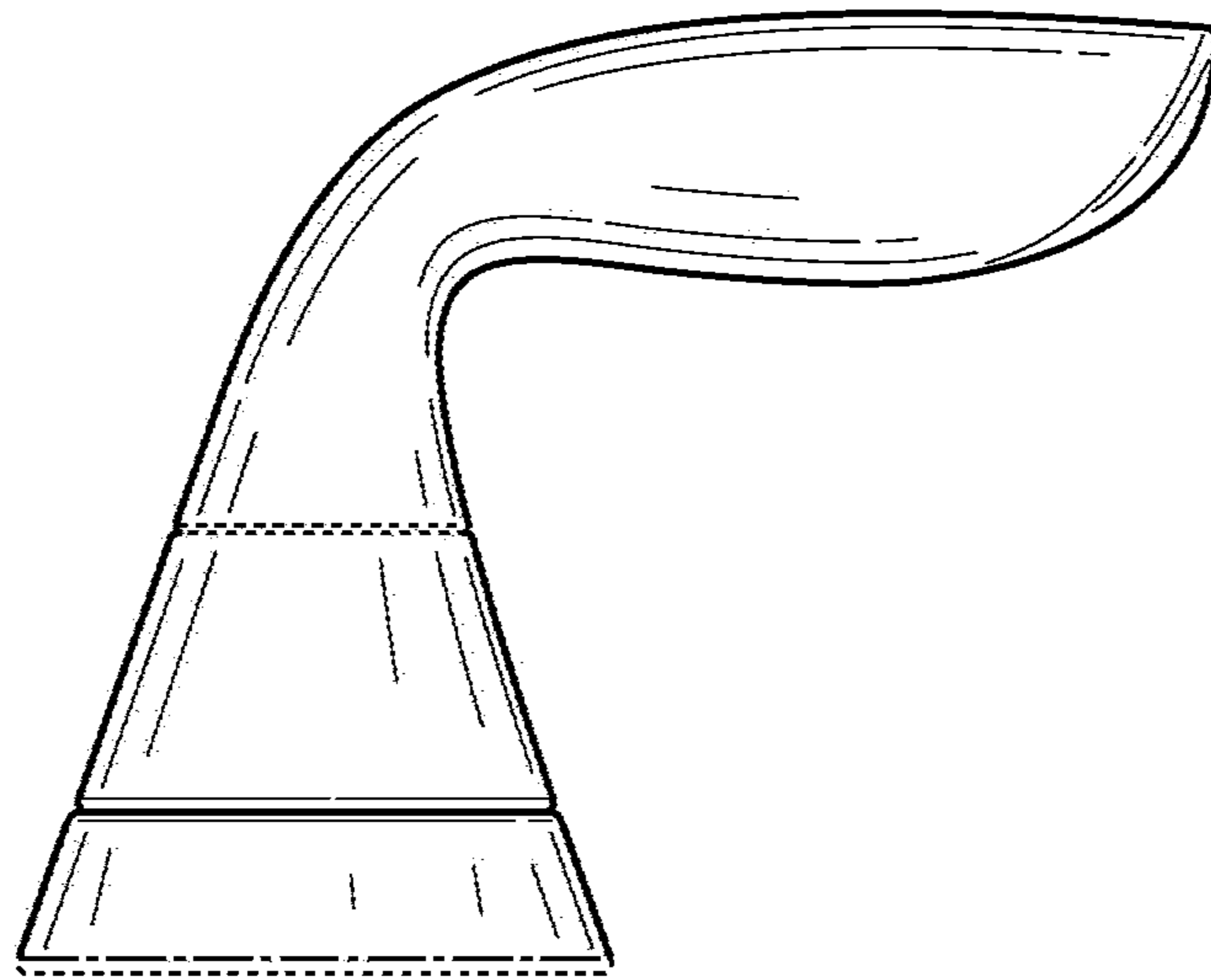


FIG. 2

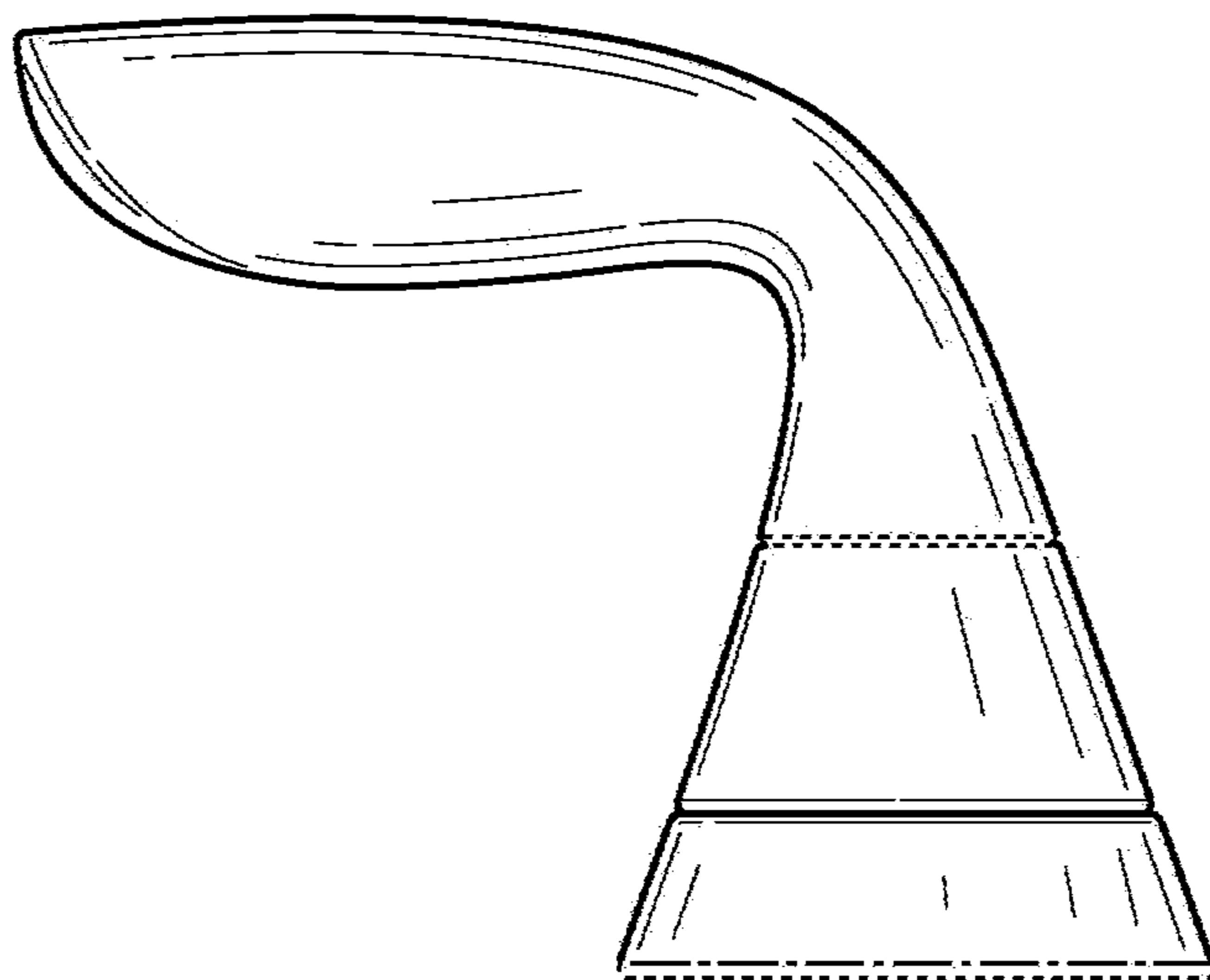


FIG. 3

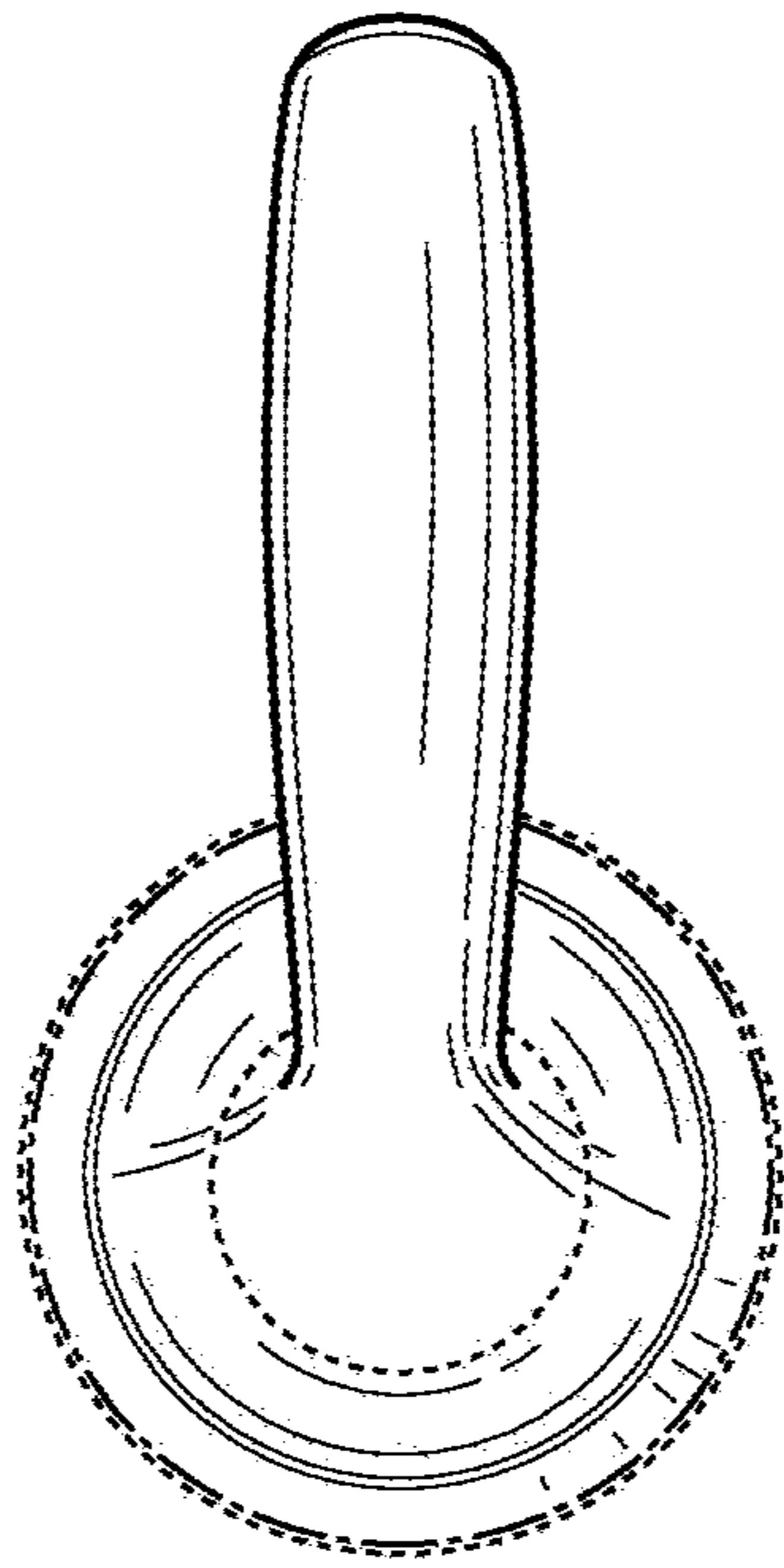


FIG. 4

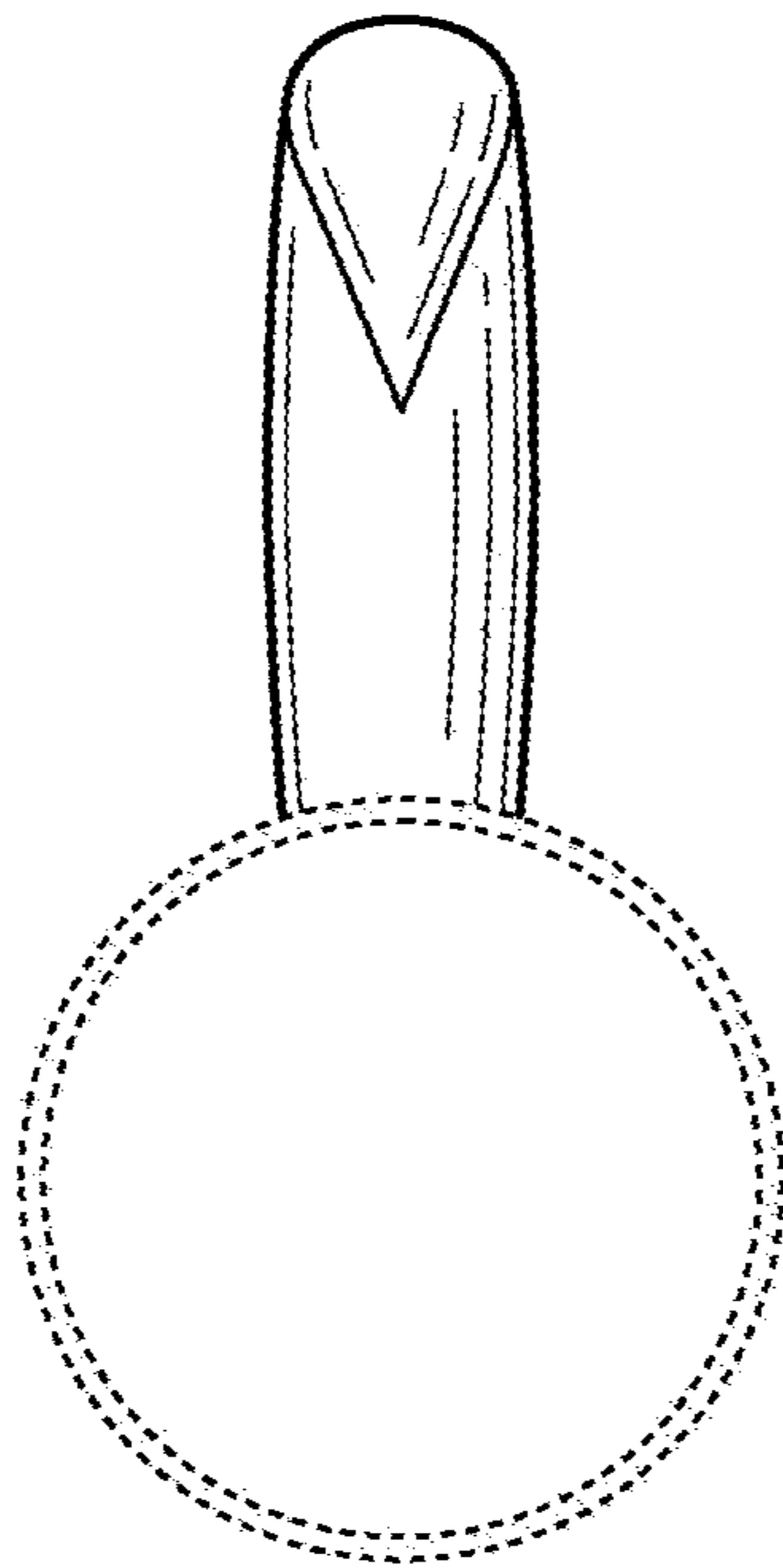


FIG. 5

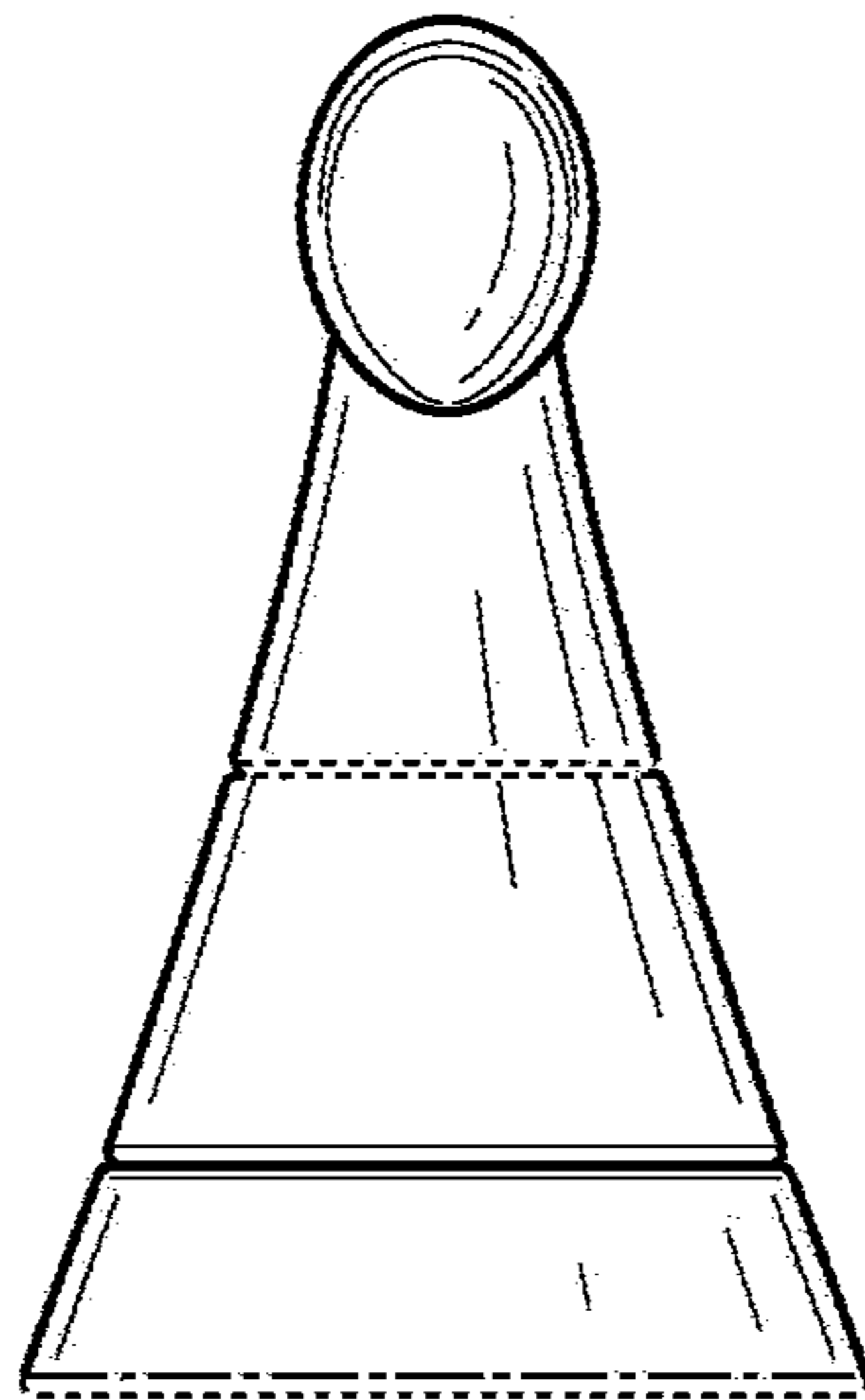


FIG. 6

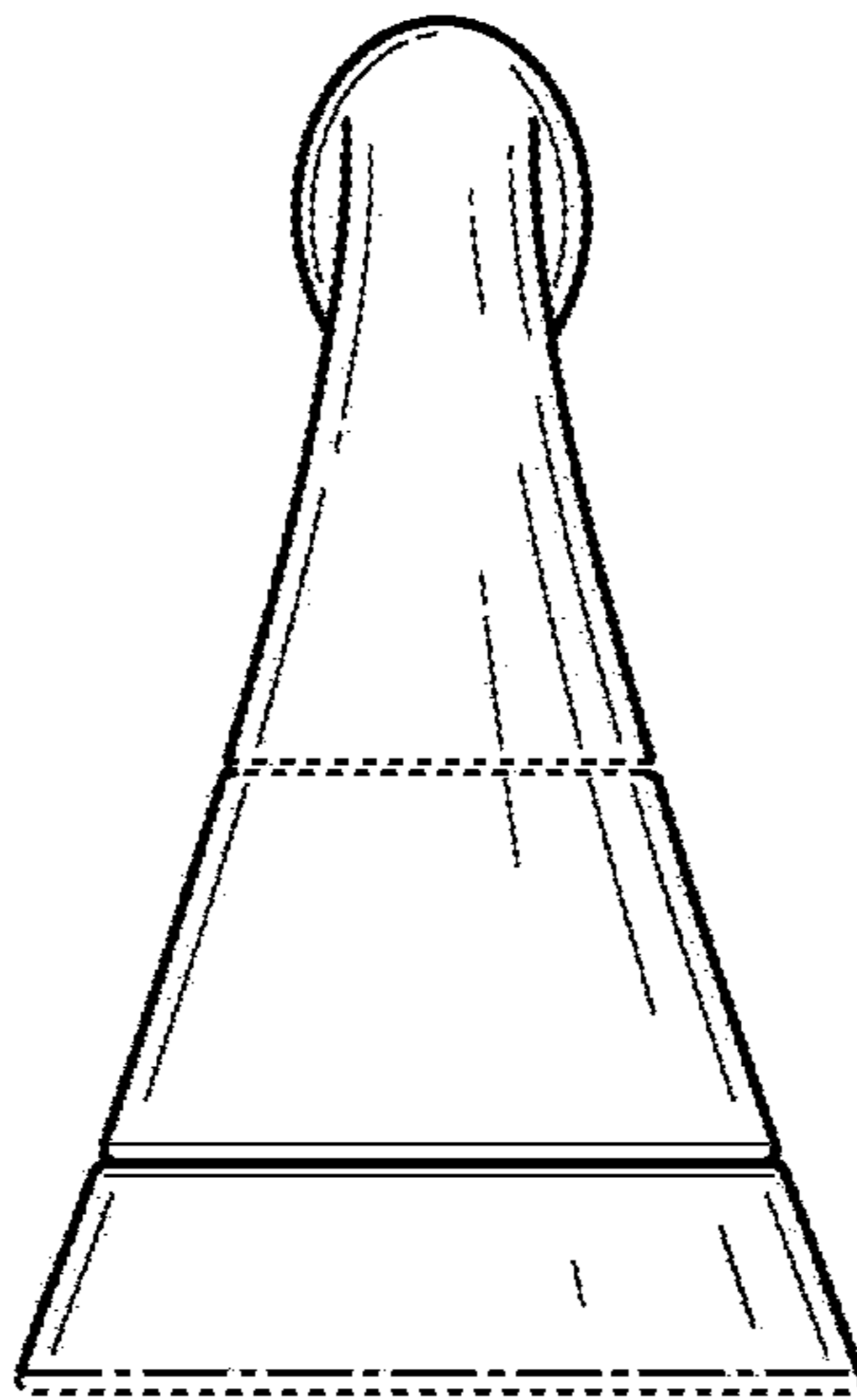


FIG. 7