



US00D768827S

(12) **United States Design Patent**
Flowers et al.

(10) **Patent No.:** **US D768,827 S**
(45) **Date of Patent:** **** Oct. 11, 2016**

(54) **BATH MIXER CONCEALED**

(71) Applicant: **Grohe AG**, Hemer (DE)

(72) Inventors: **Paul Flowers**, London (GB); **Antoine Besseyre Des Horts**, Meerbusch (DE)

(73) Assignee: **Grohe AG**, Hemer (DE)

(**) Term: **15 Years**

(21) Appl. No.: **29/538,756**

(22) Filed: **Sep. 8, 2015**

(30) **Foreign Application Priority Data**

Mar. 9, 2015 (EM) 002648758-0006

(51) **LOC (10) Cl.** **23-02**

(52) **U.S. Cl.**
USPC **D23/252; D23/254**

(58) **Field of Classification Search**
USPC D23/238, 241–243, 249, 250, 252, 254
CPC E03C 1/04; E03C 1/0401; E03C 1/0402;
E03C 1/0404
See application file for complete search history.

(56) **References Cited**

U.S. PATENT DOCUMENTS

D291,239 S * 8/1987 Haug D23/252
D357,060 S * 4/1995 Haug D23/252
D393,052 S * 3/1998 Lobermeier D23/250
D408,502 S * 4/1999 Lobermeier D23/238

D444,852 S * 7/2001 Fleischmann D23/252
D473,632 S * 4/2003 Marshall D23/254
D740,395 S * 10/2015 Flowers D23/252
D754,824 S * 4/2016 Byron D23/254

* cited by examiner

Primary Examiner — Robert Delehanty

(74) *Attorney, Agent, or Firm* — Muncy, Geissler, Olds & Lowe, P.C.

(57) **CLAIM**

The ornamental design for a bath mixer concealed, as shown and described.

DESCRIPTION

FIG. 1 is a front perspective view of a bath mixer concealed according to the present invention.

FIG. 2 is a left side view of the bath mixer concealed of FIG. 1.

FIG. 3 is a right side view of the bath mixer concealed of FIG. 1.

FIG. 4 is a top view of the bath mixer concealed of FIG. 1.

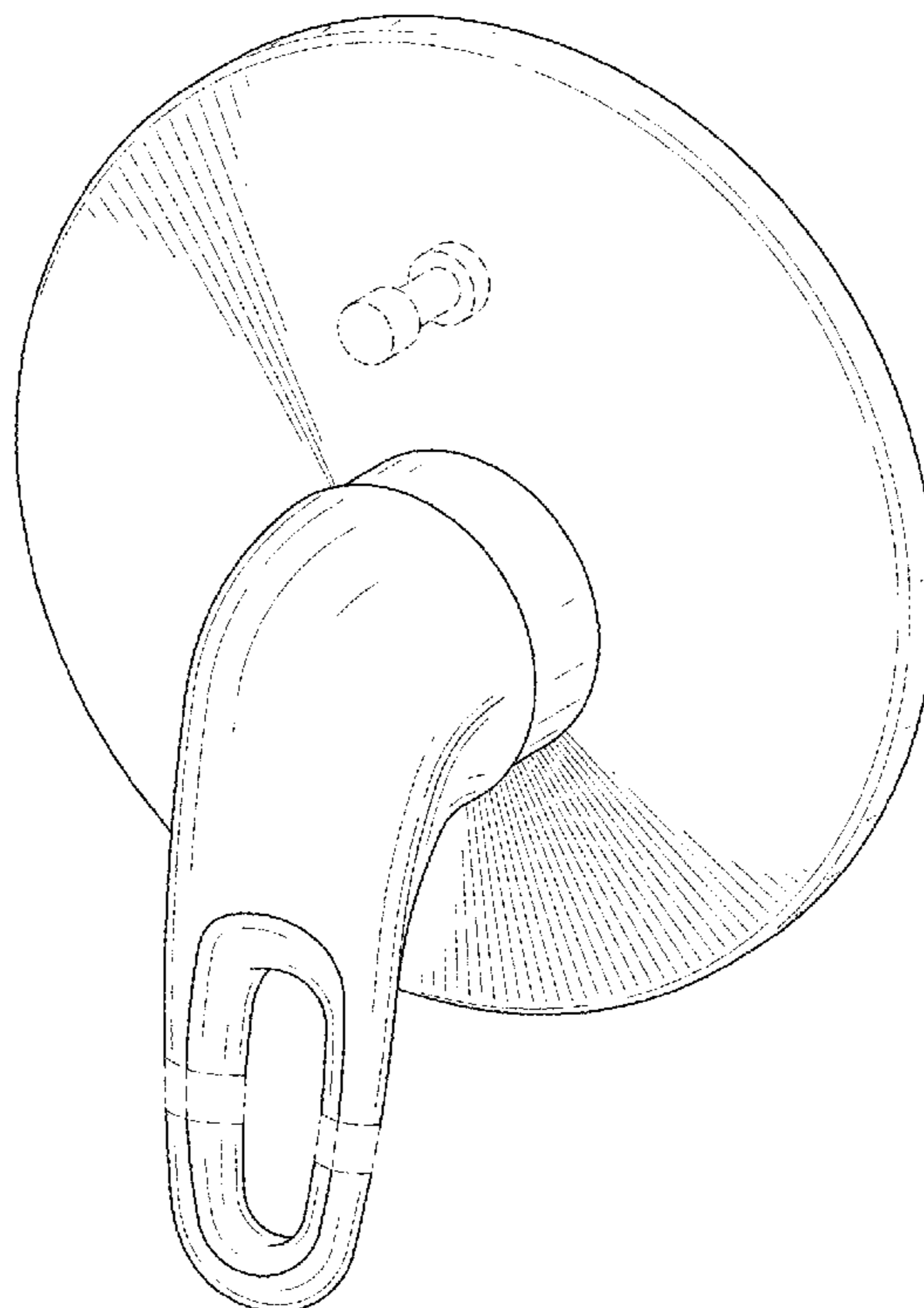
FIG. 5 is a bottom view of the bath mixer concealed of FIG. 1.

FIG. 6 is a front view of the bath mixer concealed of FIG. 1; and,

FIG. 7 is a rear view of the bath mixer concealed of FIG. 1.

The dashed lines illustrate environment that does not form a part of the present invention, and no claim is made to the material illustrated with dashed lines.

1 Claim, 7 Drawing Sheets



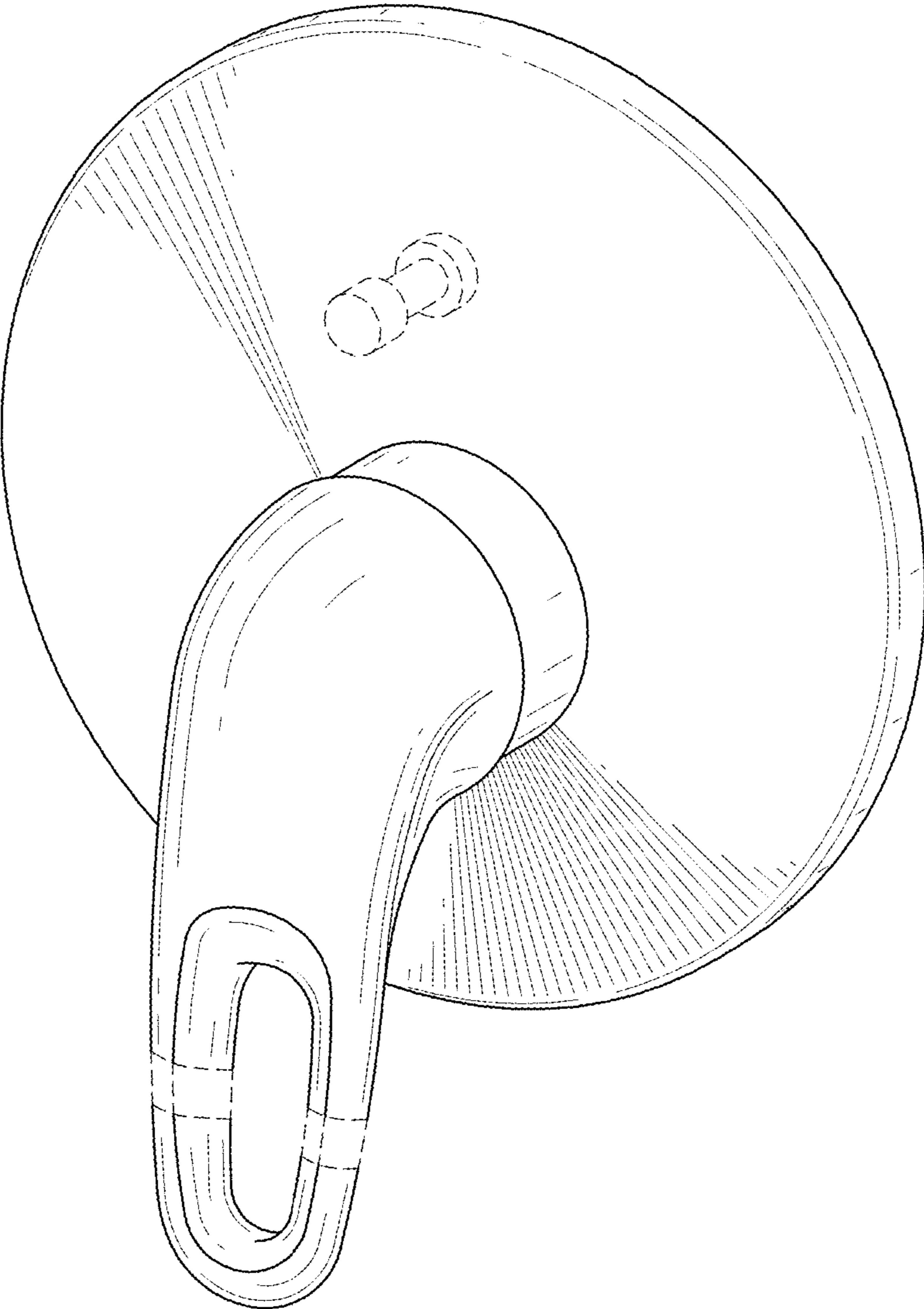


FIG.1

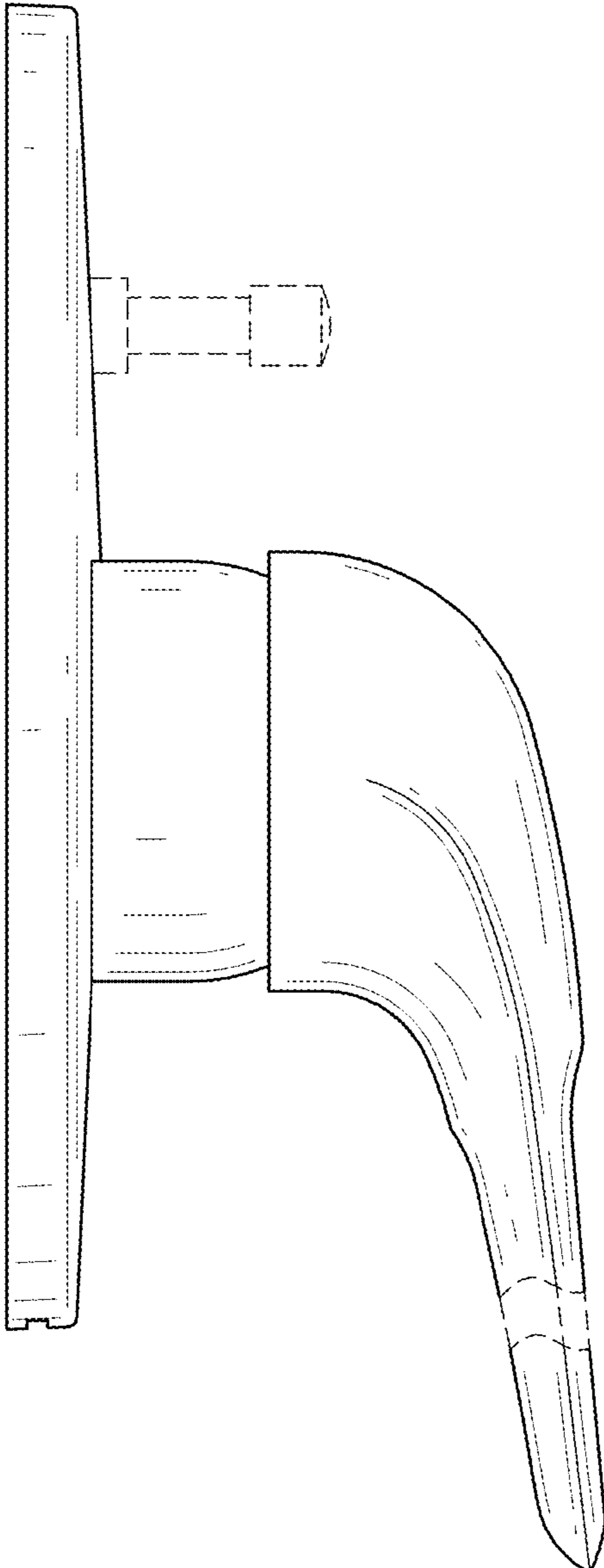


FIG.2

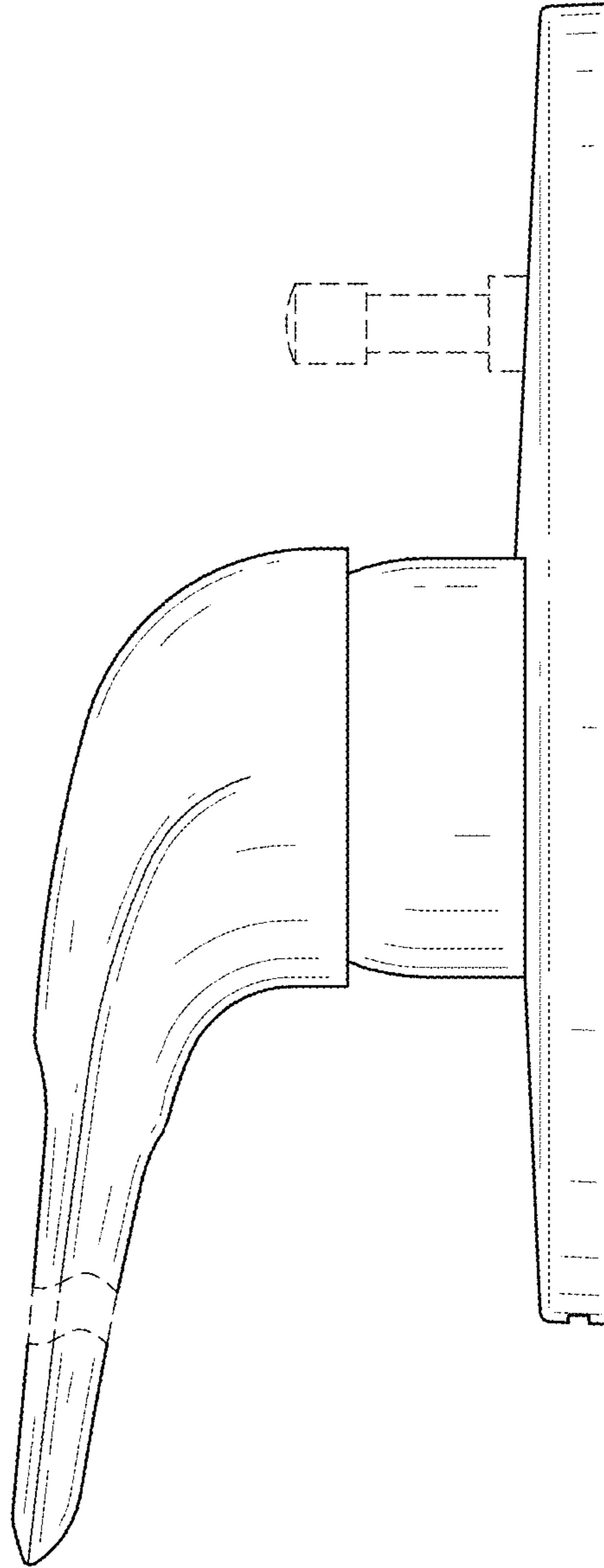


FIG.3

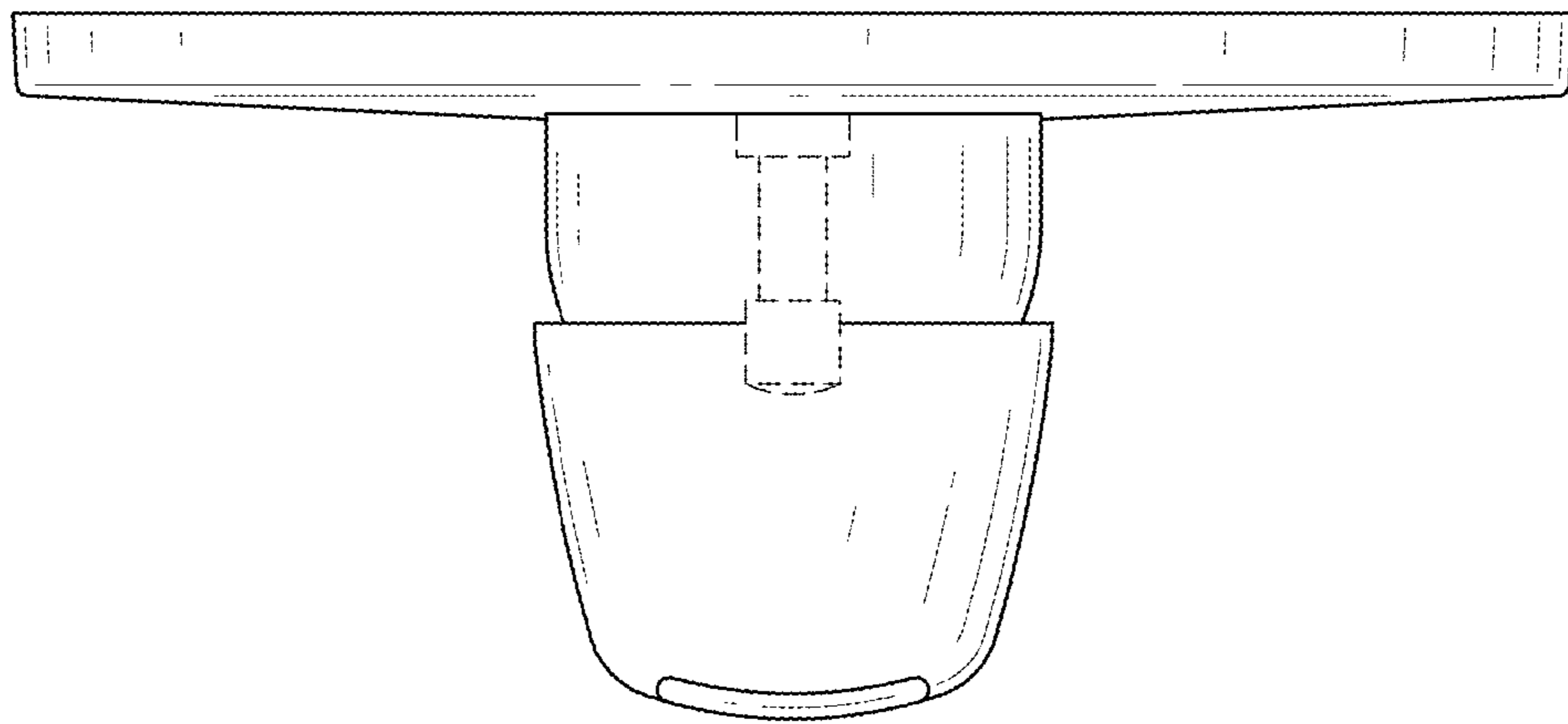


FIG.4

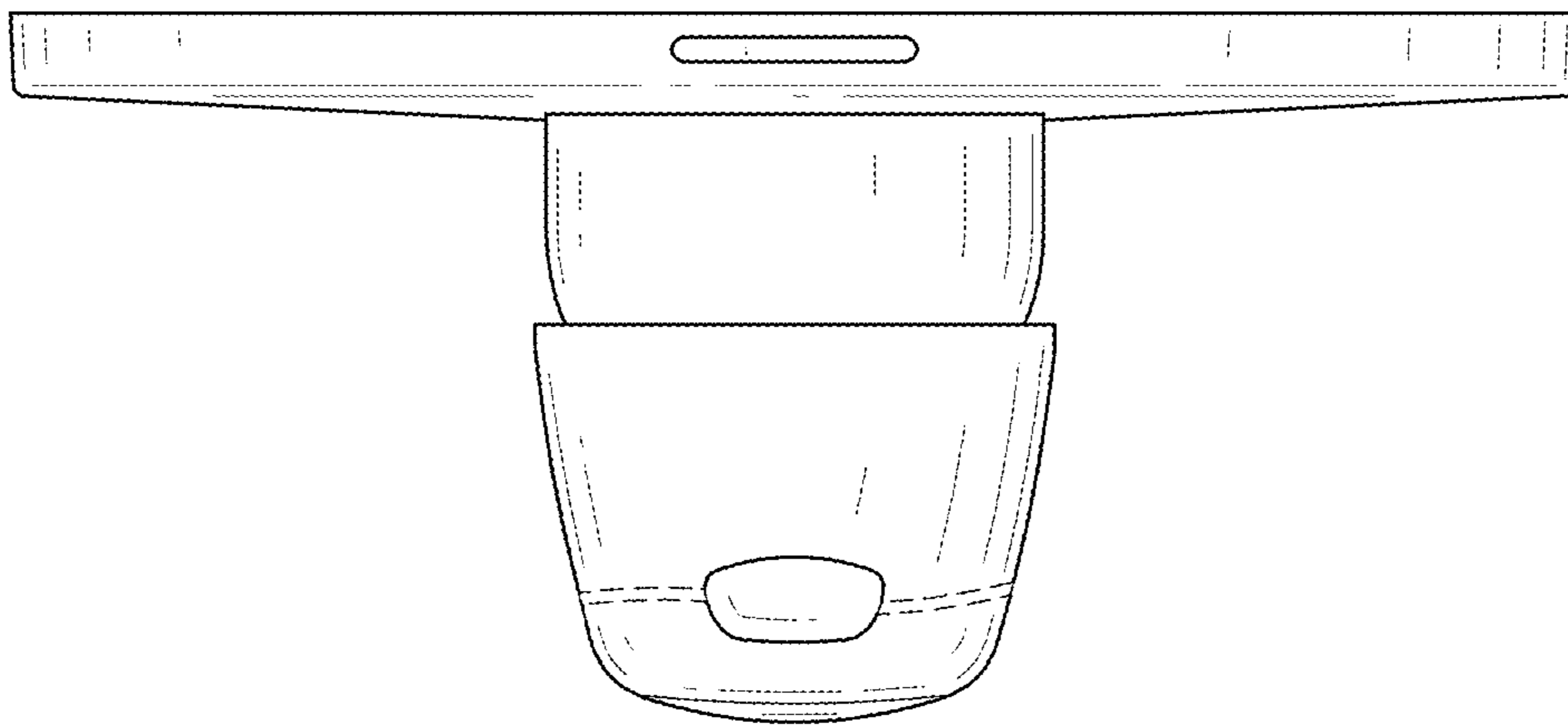


FIG.5

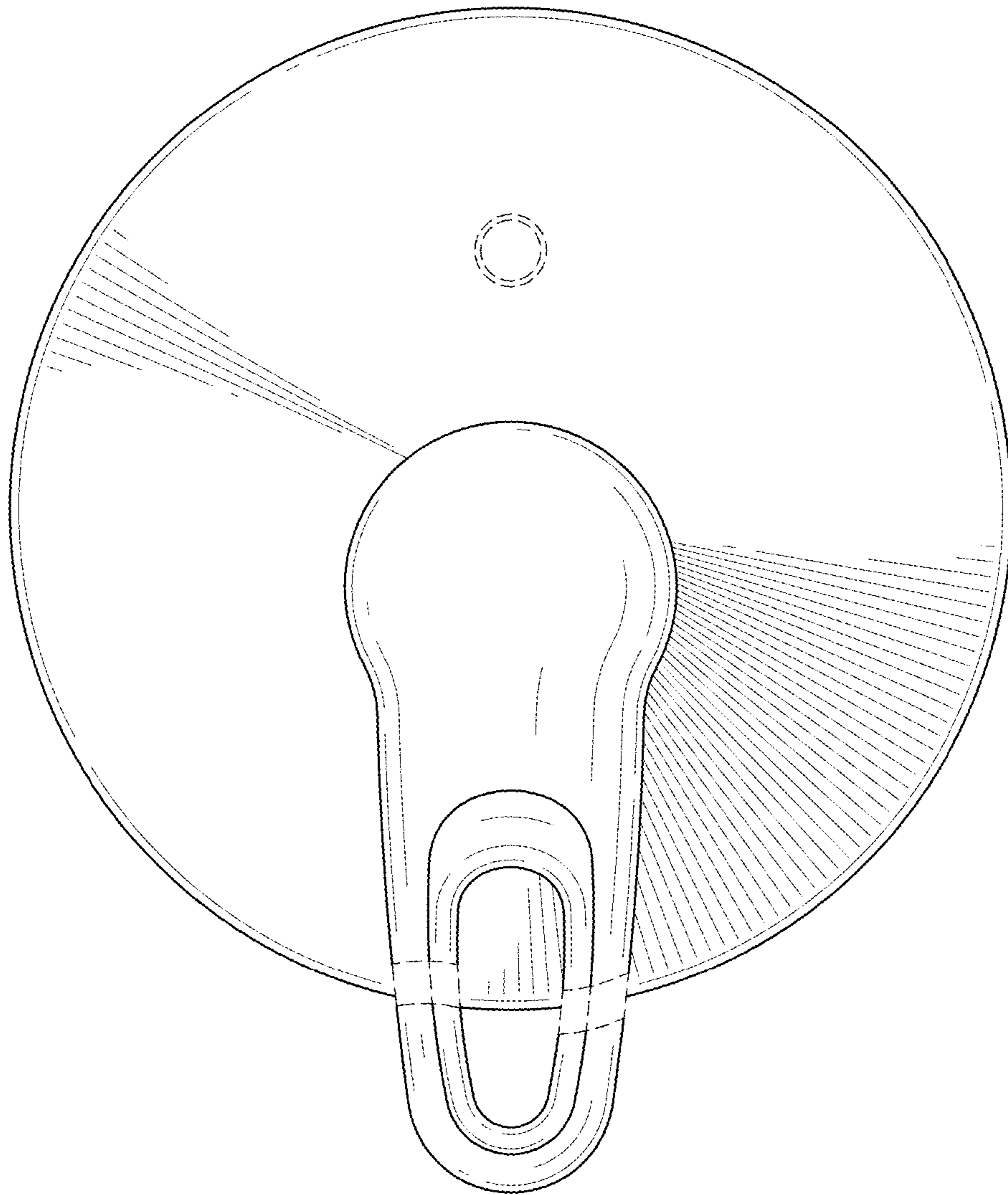


FIG.6

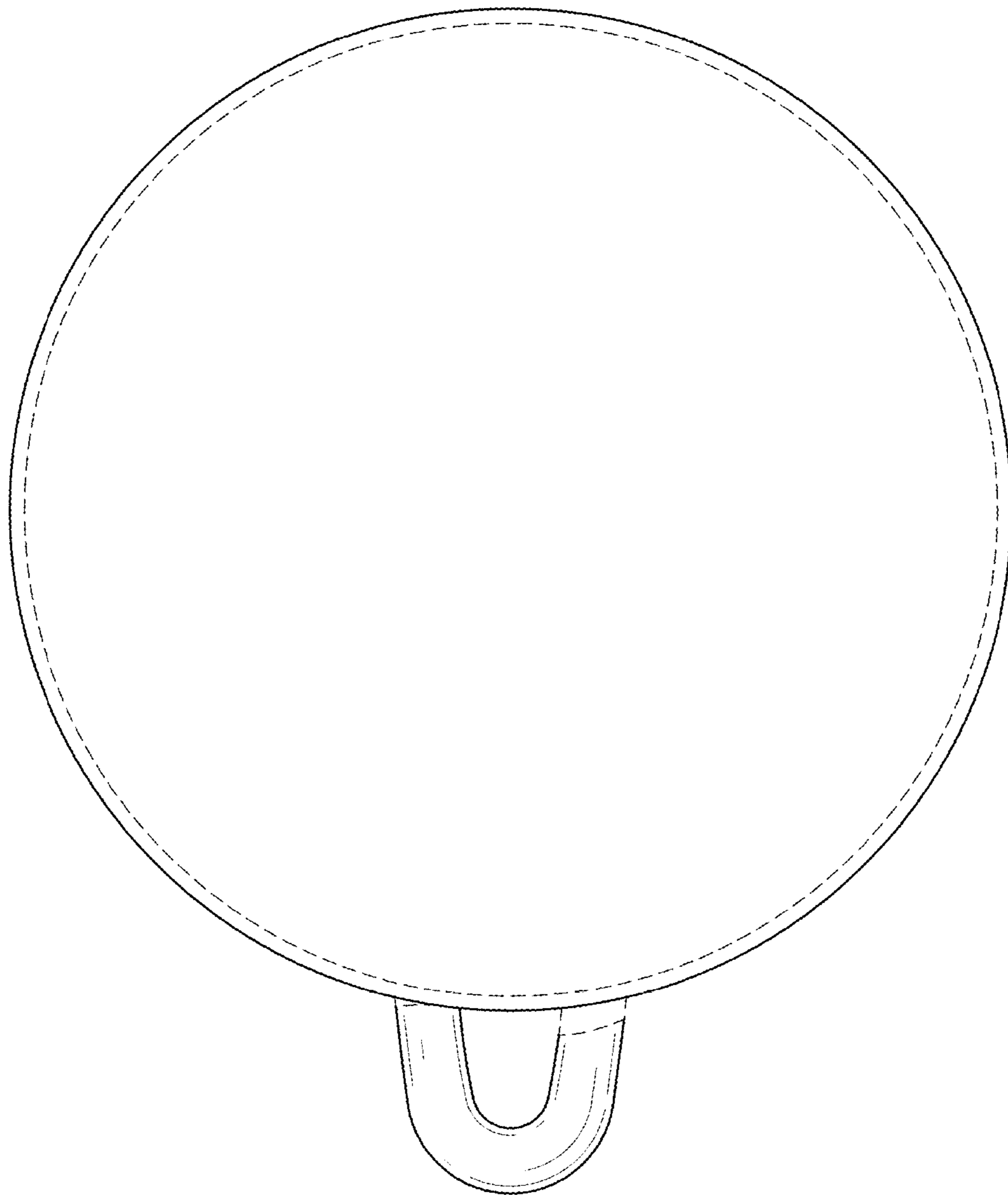


FIG. 7