



US00D768825S

(12) **United States Design Patent** (10) **Patent No.:** **US D768,825 S**  
**Lammel** (45) **Date of Patent:** **\*\* Oct. 11, 2016**

(54) **FAUCET CONTROL UNIT**

OTHER PUBLICATIONS

(71) Applicant: **Franke Water Systems AG**, Unterkulm (CH)

U.S. Appl. No. 29/534,537, filed Jul. 29, 2015, Lammel.  
ROC (Taiwan) Search Report issued in Design Application No. 104304059, dated Apr. 15, 2016; 2 pages.

(72) Inventor: **Michael Lammel**, Aachen (DE)

\* cited by examiner

(73) Assignee: **Franke Water Systems AG**, Unterkulm (CH)

*Primary Examiner* — Robert Delehanty

(\*\*) Term: **15 Years**

(74) *Attorney, Agent, or Firm* — Oblon, McClelland, Maier & Neustadt, L.L.P

(21) Appl. No.: **29/534,525**

(22) Filed: **Jul. 29, 2015**

(57) **CLAIM**

(30) **Foreign Application Priority Data**

The ornamental design for a faucet control unit, as shown and described.

Feb. 11, 2015 (WO) ..... 872290501

(51) **LOC (10) Cl.** ..... **23-02**

(52) **U.S. Cl.**  
USPC ..... **D23/250**

(58) **Field of Classification Search**  
USPC ..... D23/238, 241–243, 249, 250, 252  
CPC ..... E03C 1/04; E03C 1/0401; E03C 1/0402;  
E03C 1/0404  
See application file for complete search history.

**DESCRIPTION**

(56) **References Cited**

U.S. PATENT DOCUMENTS

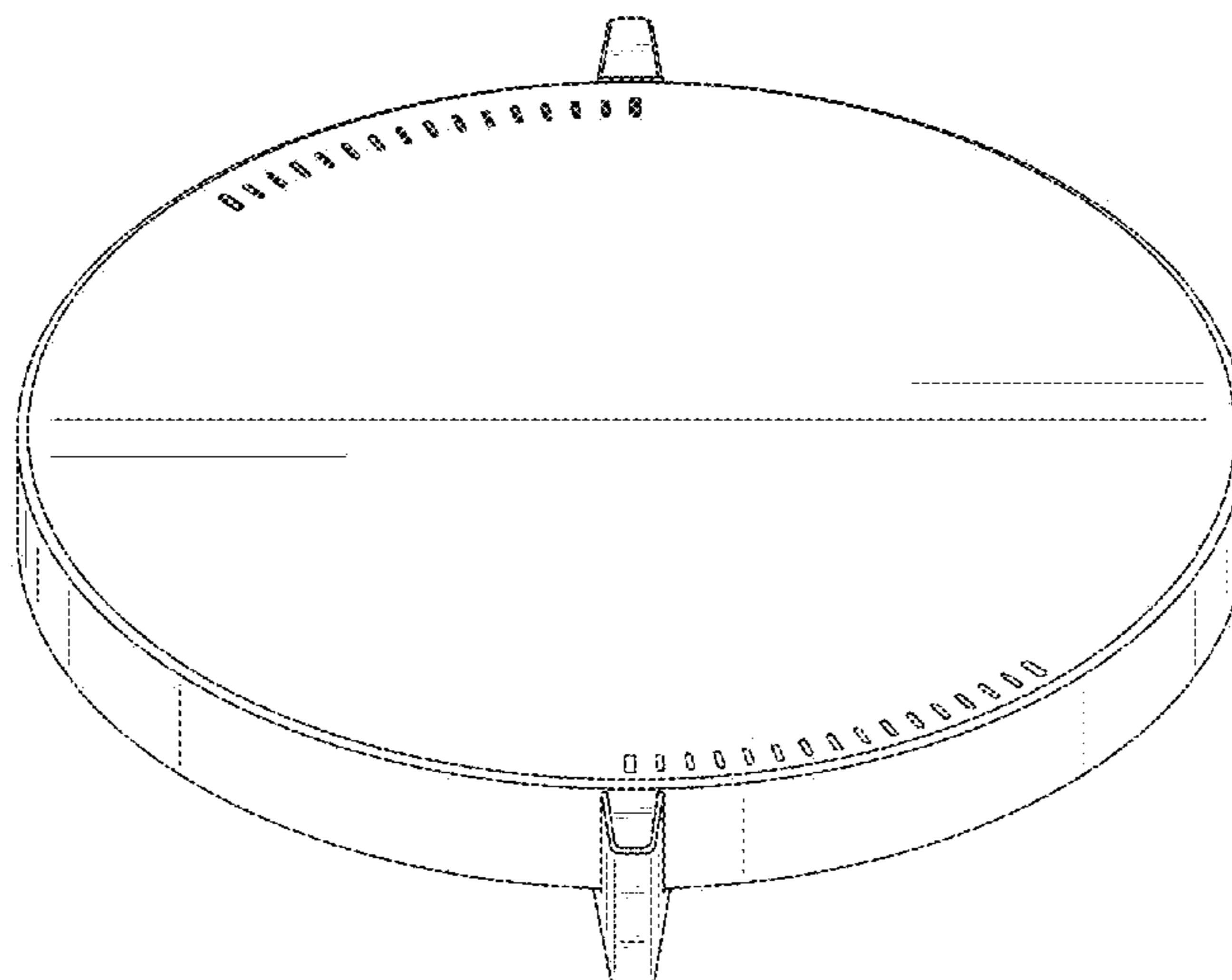
D310,859 S \* 9/1990 Strignano ..... D23/241  
D319,293 S \* 8/1991 Rosenbaum ..... D23/238  
D613,825 S \* 4/2010 Ishikawa ..... D23/254  
D621,007 S \* 8/2010 Bardsley ..... D23/254  
D655,785 S \* 3/2012 Fukasawa ..... D23/242

The patent or application file contains at least one drawing executed in color. Copies of this patent or patent application publication with color drawing(s) will be provided by the Office upon request and payment of the necessary fee.  
FIG. 1 is a front, top, and right side perspective view of a faucet control unit;  
FIG. 2 is a top plan view thereof in a first use position;  
FIG. 3 is a top plan view thereof in a second use position;  
FIG. 4 is a top plan view thereof in a third use position;  
FIG. 5 is a bottom plan view thereof;  
FIG. 6 is a front elevational view thereof;  
FIG. 7 is a rear elevational view thereof;  
FIG. 8 is a right side elevational view thereof; and,  
FIG. 9 is a left side elevational view thereof.  
The broken lines in the drawings illustrate environmental subject matter and form no part of the claimed design.

FOREIGN PATENT DOCUMENTS

TW D127665 3/2009  
TW D134409 4/2010  
TW D136796 9/2010  
TW D141233 6/2011

**1 Claim, 9 Drawing Sheets**  
**(3 of 9 Drawing Sheet(s) Filed in Color)**



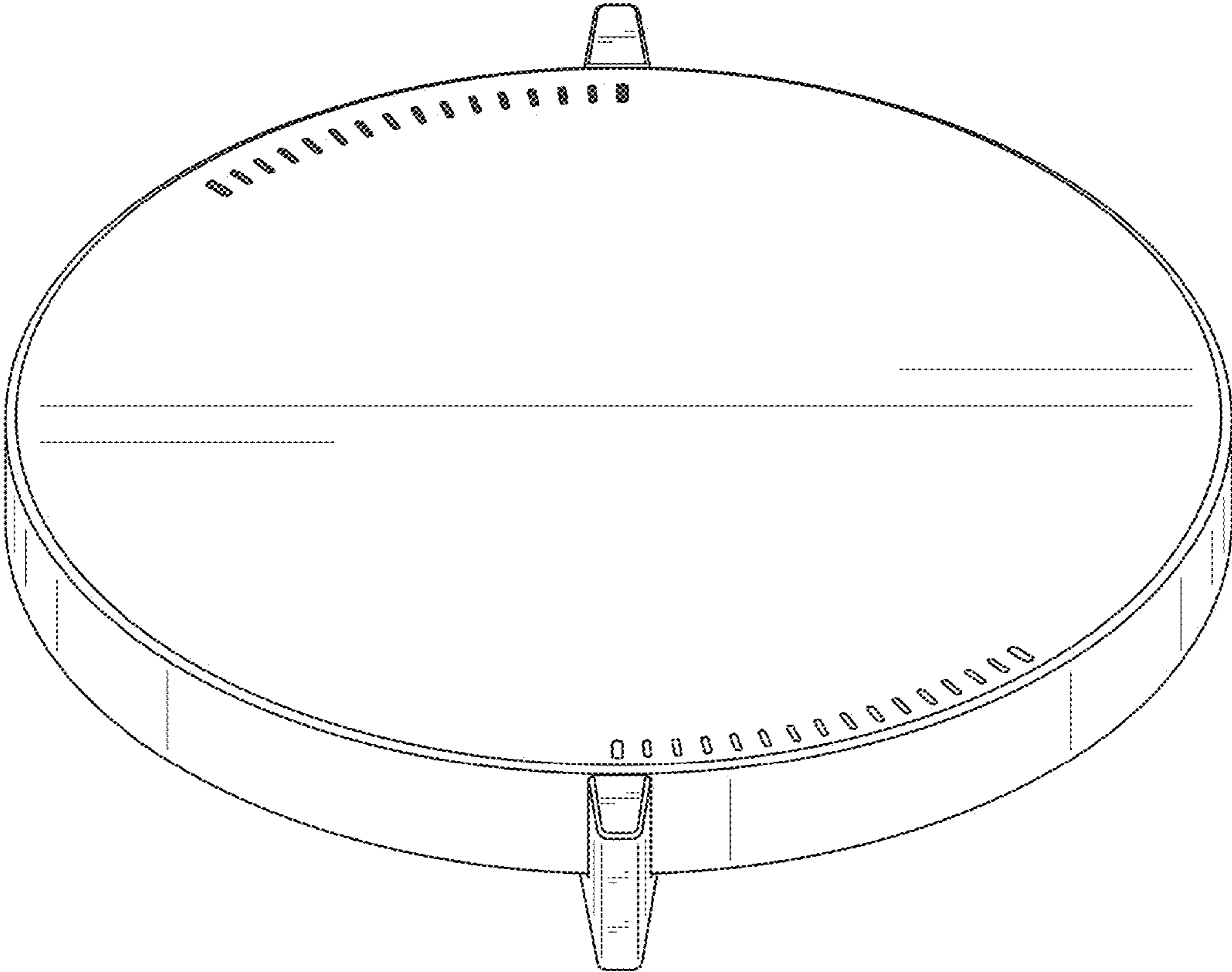


FIG. 1

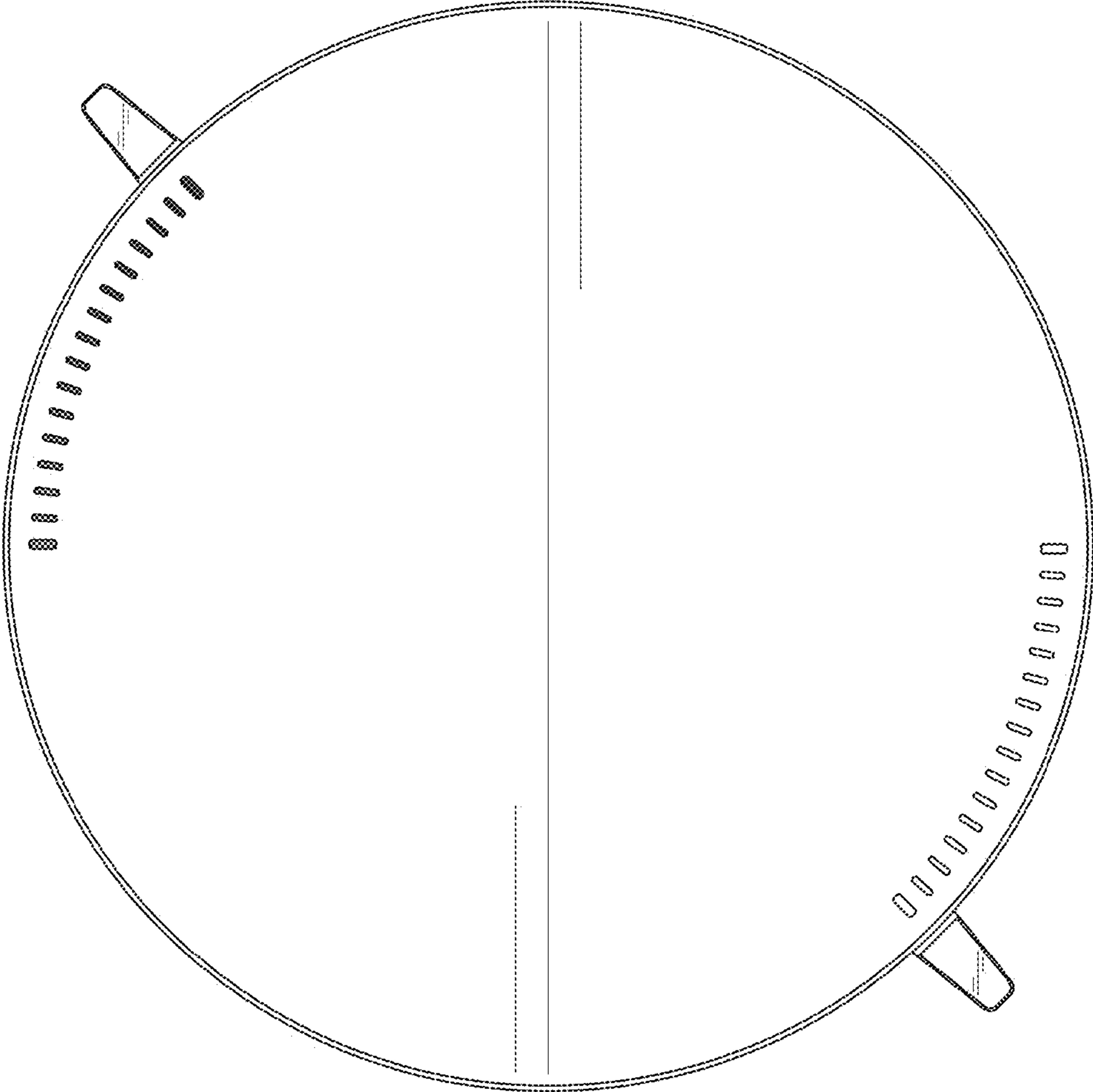


FIG. 2

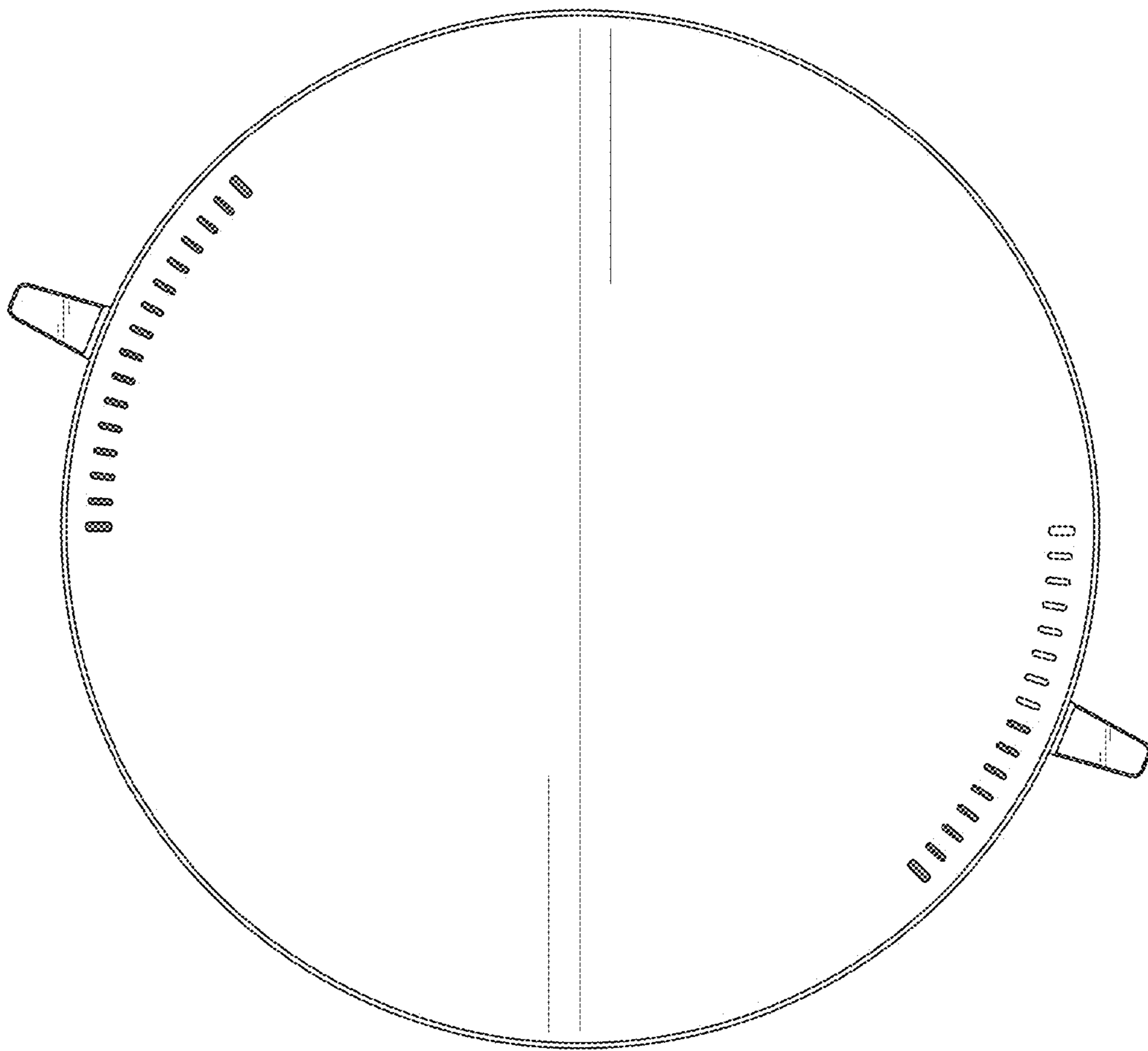


FIG. 3

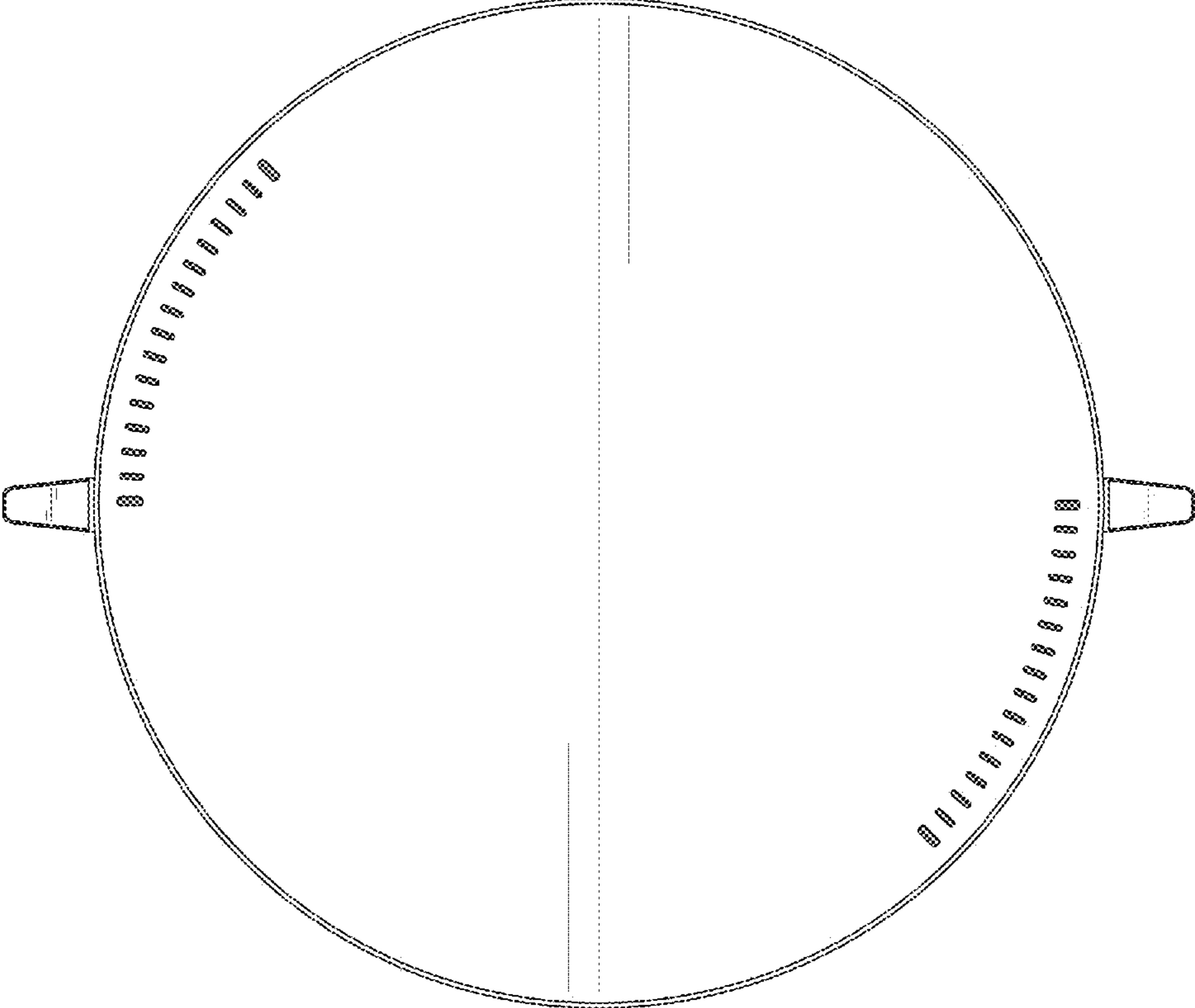


FIG. 4

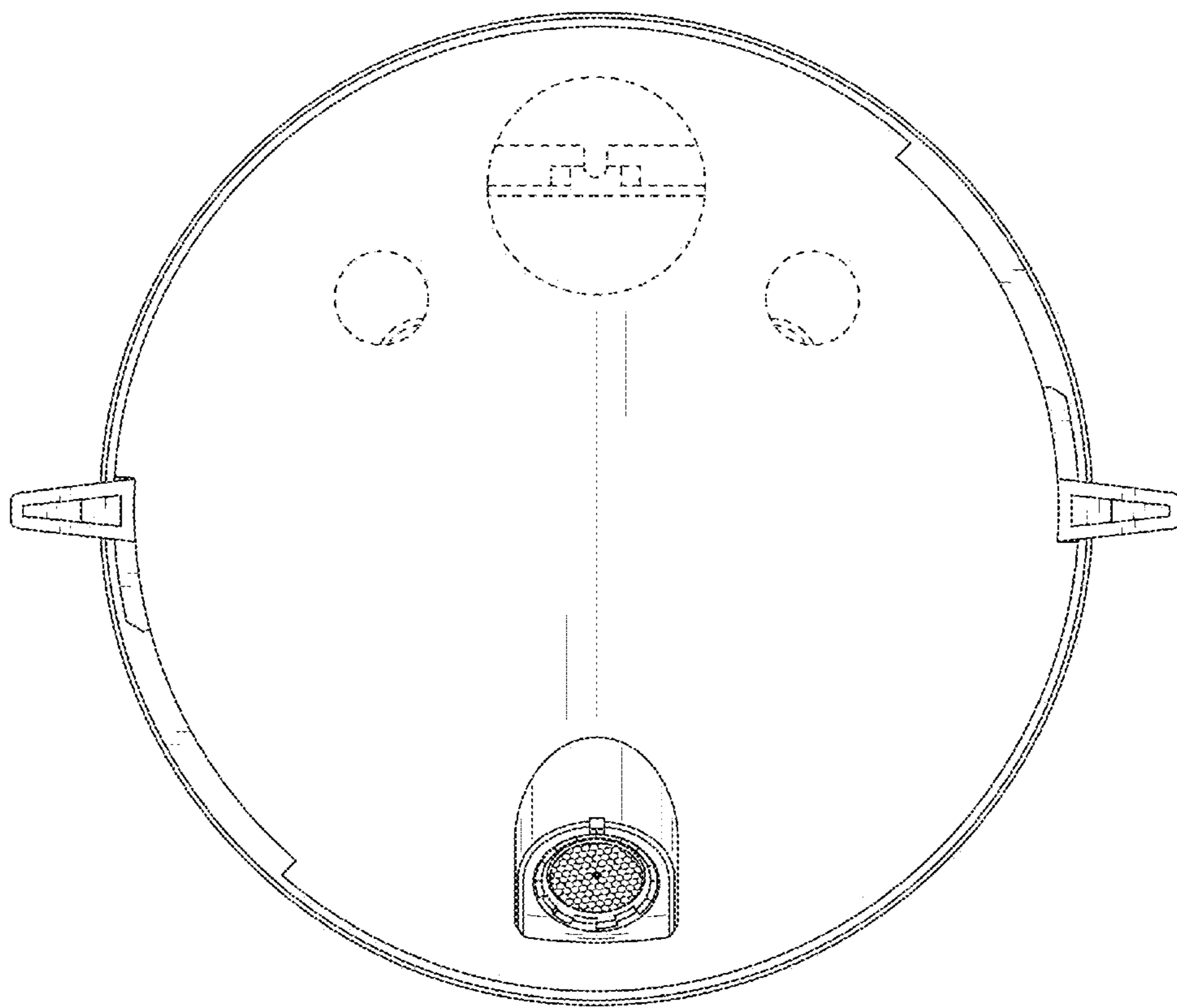


FIG. 5

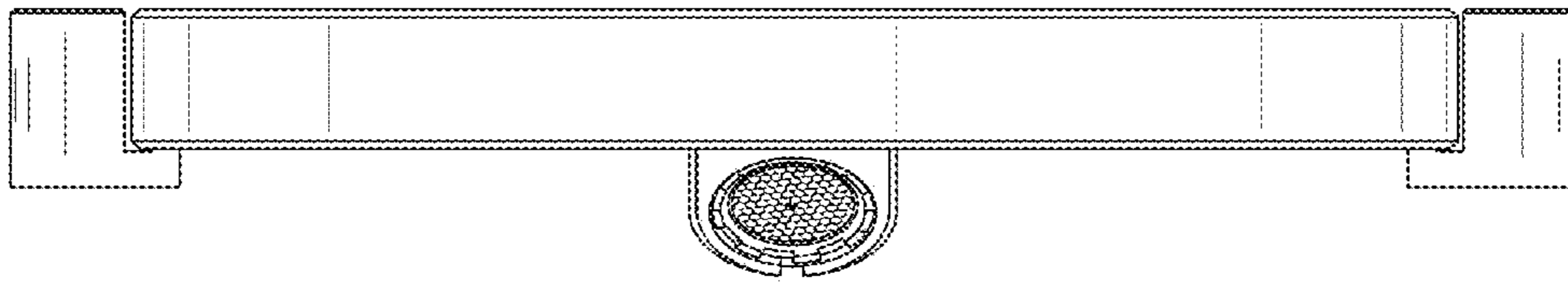


FIG. 6

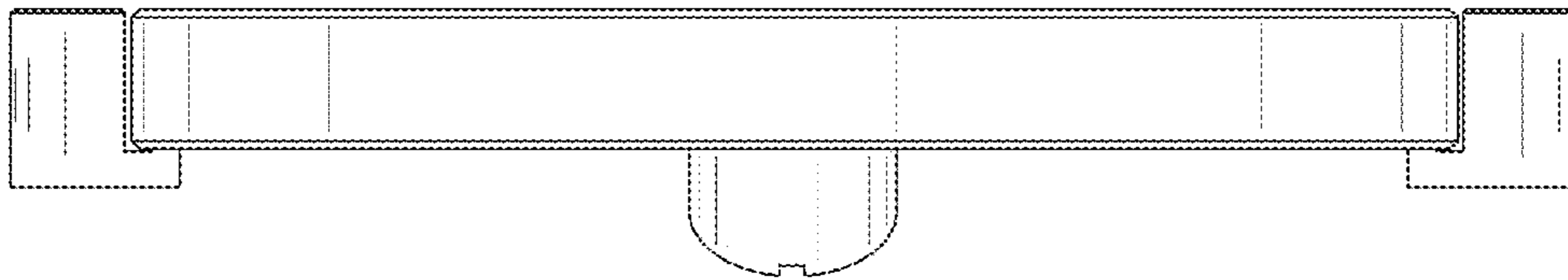


FIG. 7



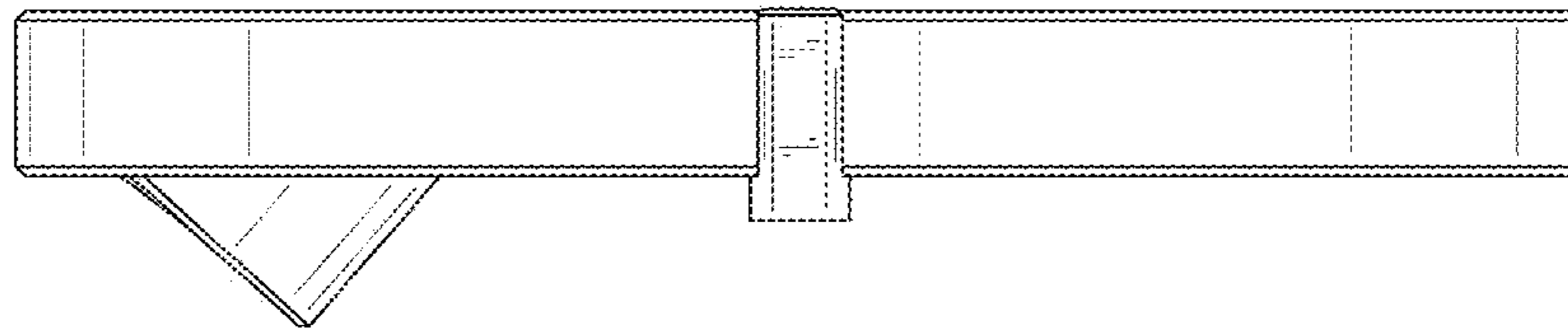


FIG. 8

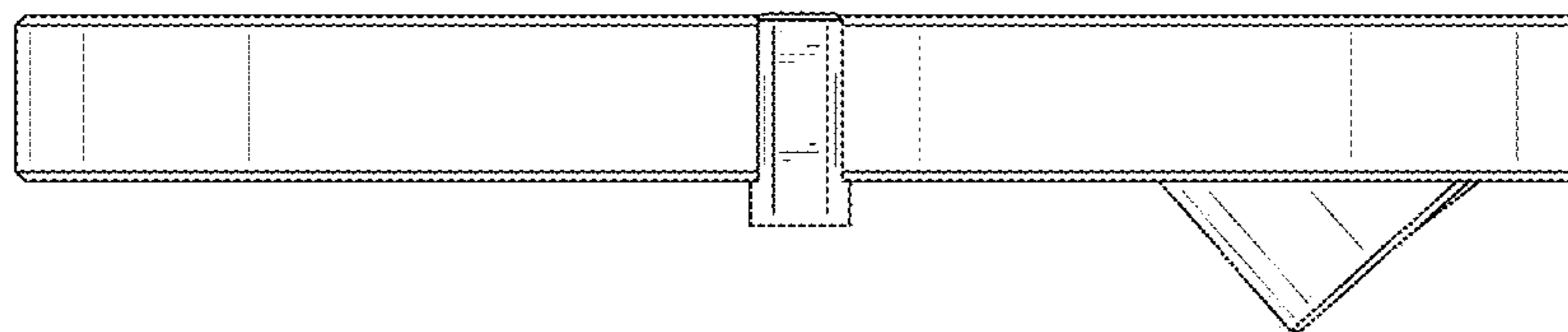


FIG. 9