



US00D768824S

(12) **United States Design Patent**
Murray et al.

(10) **Patent No.:** **US D768,824 S**

(45) **Date of Patent:** **** Oct. 11, 2016**

(54) **LAVATORY FIXTURE WITH INTEGRATED FAUCET, SOAP DISPENSER, AND HAND DRYER**

(71) Applicant: **Bradley Corporation**, Menomonee Falls, WI (US)

(72) Inventors: **Chris Murray**, Chicago, IL (US);
Trevis Kurz, Chicago, IL (US);
Cassandra Anne Schneider,
Oconomowoc, WI (US); **William L Haas**, Slinger, WI (US)

(73) Assignee: **Bradley Fixtures Corporation**,
Menomonee Falls, WI (US)

(**) Term: **15 Years**

(21) Appl. No.: **29/528,444**

(22) Filed: **May 28, 2015**

(51) **LOC (10) Cl.** **23-01**

(52) **U.S. Cl.**
USPC **D23/238; D28/54.1**

(58) **Field of Classification Search**
USPC D23/238-243, 249-250, 252, 255, 257;
D6/542, 544; D28/54.1
CPC E03C 1/04; E03C 1/0401; E03C 1/0402;
E03C 1/0404; F16K 31/602; F16K 31/605;
F16K 31/607
See application file for complete search history.

(56) **References Cited**

U.S. PATENT DOCUMENTS

D224,402 S * 7/1972 Jenner D23/241
D292,607 S * 11/1987 Wu D23/238
D296,233 S * 6/1988 Enthoven D23/241
4,953,236 A * 9/1990 Lee E03C 1/057
236/12.12

D315,398 S * 3/1991 Strignano D23/241
D318,320 S * 7/1991 Zerlia D23/241
D341,741 S * 11/1993 Allen D6/542
D341,875 S * 11/1993 Allen D23/238
D541,380 S * 4/2007 Kikuchi D23/238
D614,733 S * 4/2010 Pan D23/238
D622,526 S * 8/2010 Dai D6/542
D663,016 S * 7/2012 Figurski D23/271
D686,369 S * 7/2013 Horvath D28/54.1
D703,380 S * 4/2014 Lee D28/54.1
D708,711 S * 7/2014 Yu D23/238
D714,493 S * 9/2014 Liu F26B 25/06
D28/54.1

* cited by examiner

Primary Examiner — Robert Delehanty

(74) *Attorney, Agent, or Firm* — Boyle Fredrickson, S.C.

(57) **CLAIM**

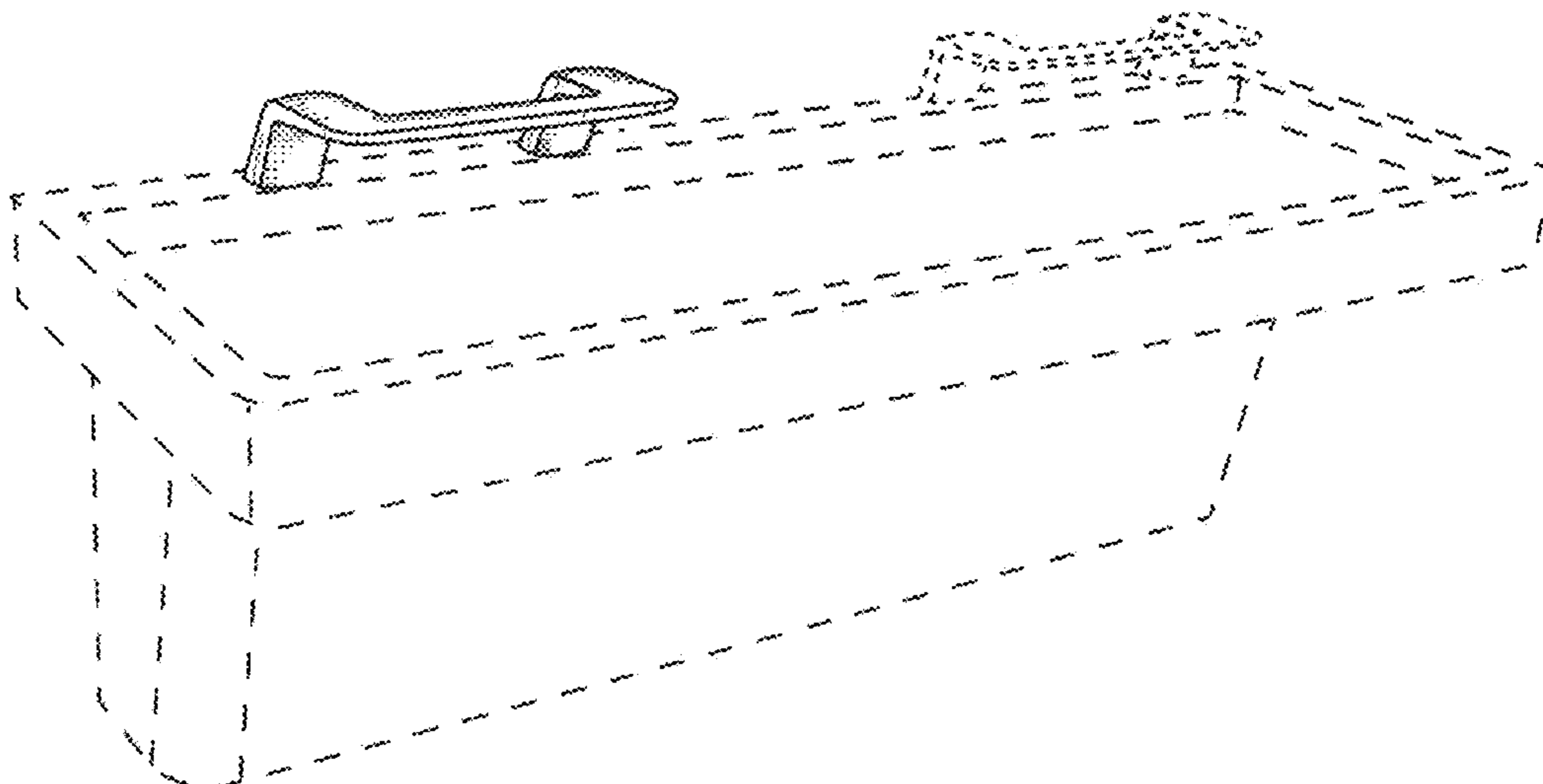
The ornamental design for a lavatory fixture with integrated faucet, soap dispenser, and hand dryer, substantially as shown and described.

DESCRIPTION

FIG. 1 is a raised perspective view of the invention showing a fixture including a faucet, soap dispenser, and hand dryer all-in-one that are mounted on a basin;
FIG. 2 is an enlarged front view of the single fixture as shown in FIG. 1;
FIG. 3 is an enlarged side view of the single fixture as shown in FIG. 1;
FIG. 4 is an enlarged top view of the single fixture as shown in FIG. 1; and,
FIG. 5 is a raised perspective view of the fixture as shown in FIG. 1.

Any broken lines represent environmental structure and form no part of the claimed design.

1 Claim, 5 Drawing Sheets



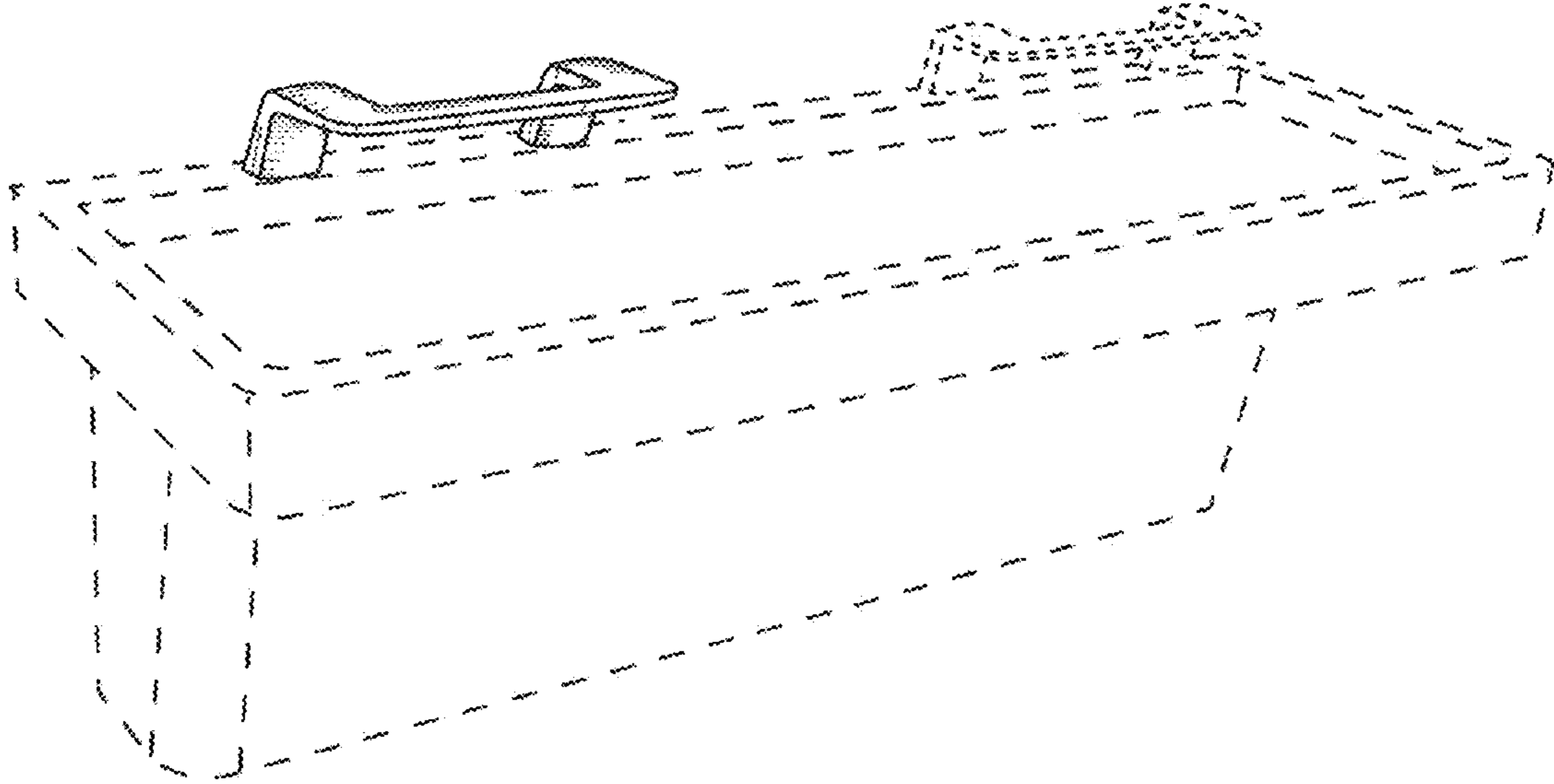


FIG. 1

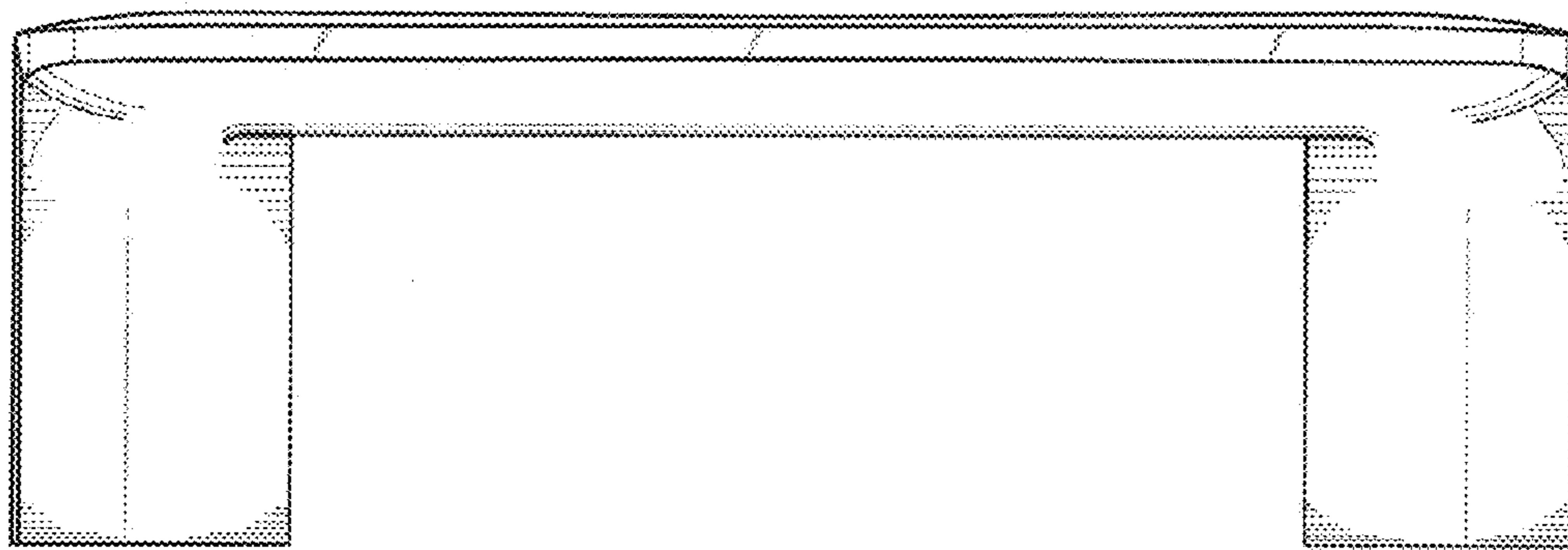


FIG. 2

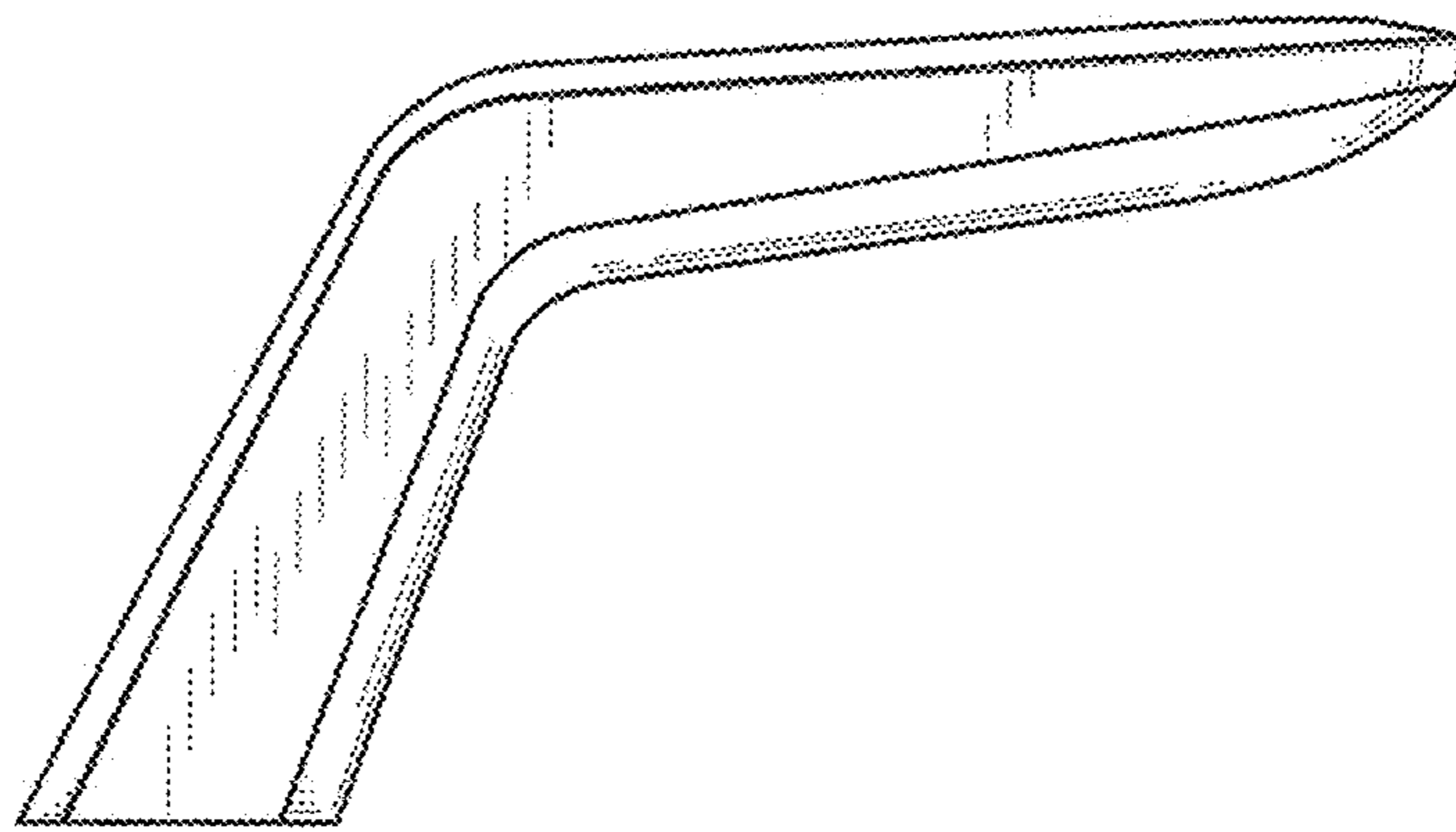


FIG. 3

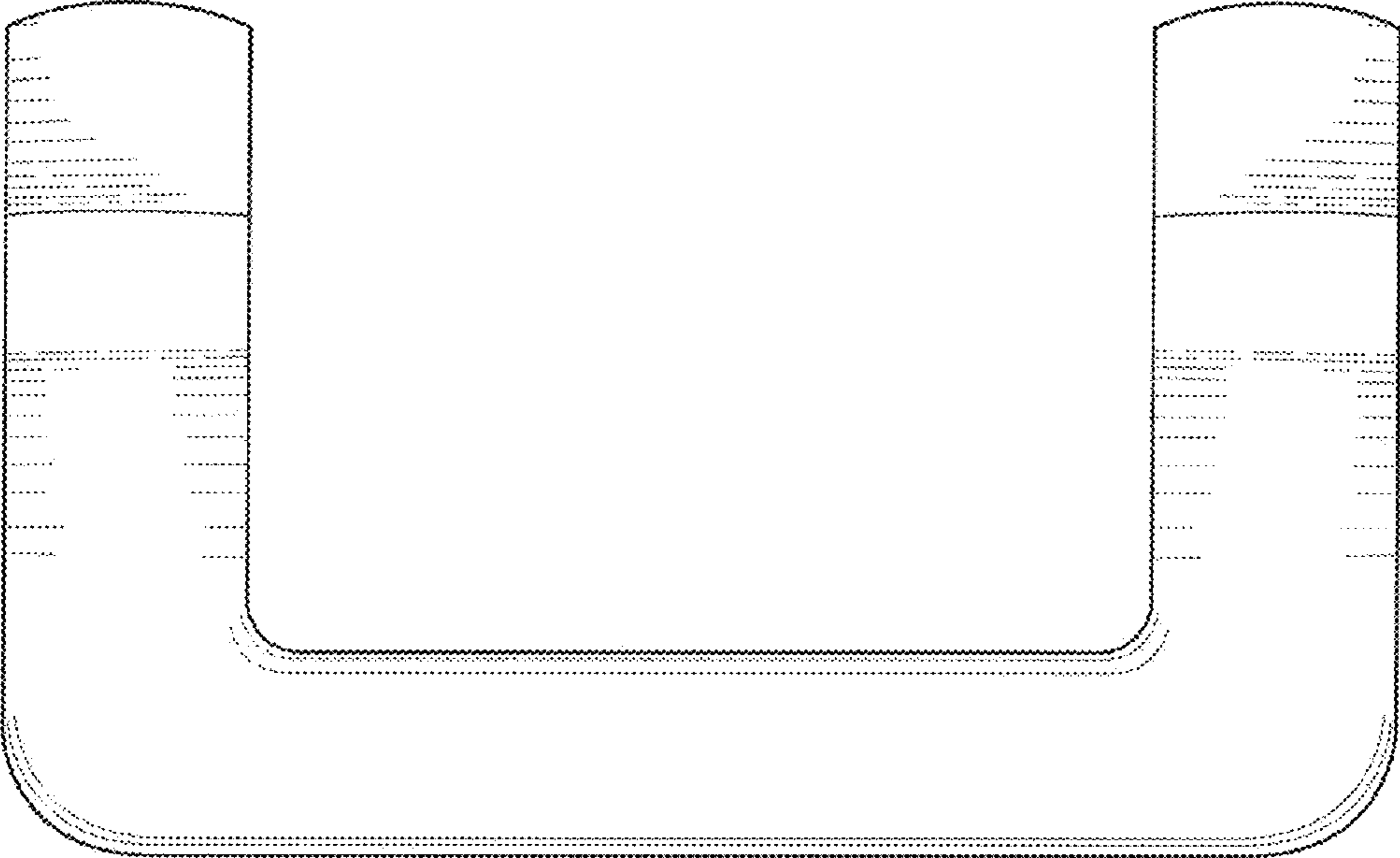


FIG. 4

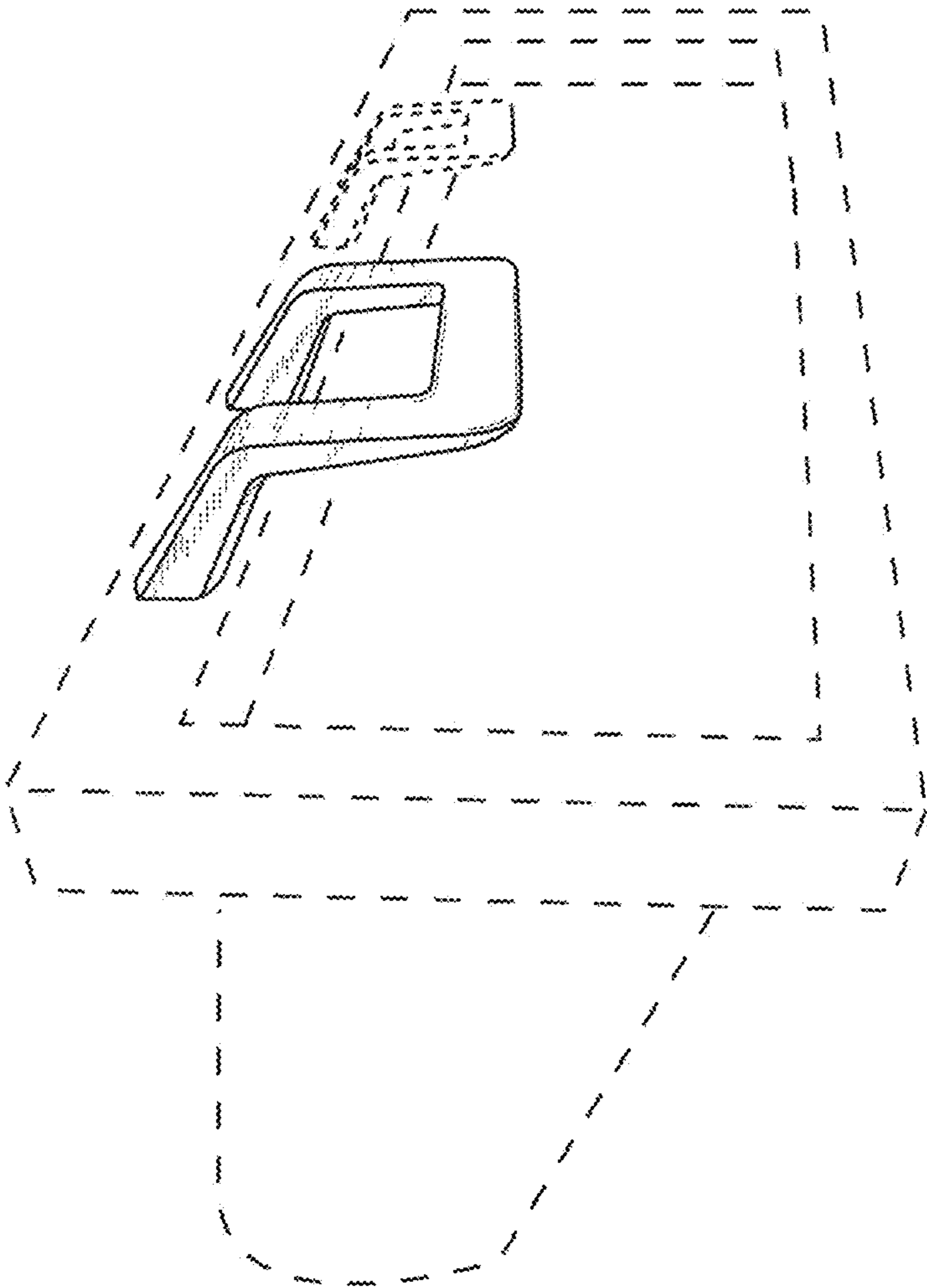


FIG. 5