



US00D768823S

(12) **United States Design Patent** (10) **Patent No.:** **US D768,823 S**  
**Harck et al.** (45) **Date of Patent:** **\*\* Oct. 11, 2016**

(54) **VALVE**

(71) Applicant: **Danfoss A/S**, Nordborg (DK)

(72) Inventors: **Kurt Harck**, Sonderborg (DK); **Sigurd Larsen**, Flensburg (DE)

(73) Assignee: **DANFOSS A/S**, Nordborg (DK)

(\*\*) Term: **14 Years**

(21) Appl. No.: **29/488,762**

(22) Filed: **Apr. 23, 2014**

(51) **LOC (10) Cl.** ..... **23-01**

(52) **U.S. Cl.**  
 USPC ..... **D23/233**

(58) **Field of Classification Search**  
 USPC ..... D23/244–249, 269; 137/498, 545, 547,  
 137/549, 377, 614.17; 251/62, 63, 63.5,  
 251/129.01, 129.1, 129.16–129.18, 215,  
 251/309, 310, 312  
 CPC ..... F16K 47/08; F16K 15/188; F16K 31/12;  
 F16K 5/10; F16K 11/0716; F16K 11/0853  
 See application file for complete search history.

D412,738 S \* 8/1999 Kuwabara ..... D23/233  
 D421,091 S \* 2/2000 Kehlbeck ..... D23/233  
 D460,522 S \* 7/2002 Flinchbaugh ..... D23/233  
 D499,464 S \* 12/2004 Caine ..... D23/233  
 D500,840 S \* 1/2005 Kim ..... D23/233  
 D527,793 S \* 9/2006 Cantolino ..... D23/233  
 D615,617 S \* 5/2010 Hutton ..... D23/233  
 D635,644 S \* 4/2011 Yamada ..... D23/233  
 D638,915 S \* 5/2011 Cardno ..... D23/233  
 D708,706 S \* 7/2014 Pridham ..... D23/233  
 D732,641 S \* 6/2015 Hermann ..... D23/233  
 D736,896 S \* 8/2015 Nishimura ..... D23/233

\* cited by examiner

*Primary Examiner* — Cynthia Ramirez

(74) *Attorney, Agent, or Firm* — McCormick, Paulding & Huber LLP

(57) **CLAIM**

The ornamental design for a valve, as shown and described.

**DESCRIPTION**

FIG. 1 is a front, bottom, and right-hand side perspective view of a valve showing our new design;  
 FIG. 2 is a front view thereof;  
 FIG. 3 is a rear view thereof;  
 FIG. 4 is a top view thereof;  
 FIG. 5 is a bottom view thereof;  
 FIG. 6 is a right-hand side view thereof; and,  
 FIG. 7 is a left-hand side view thereof.

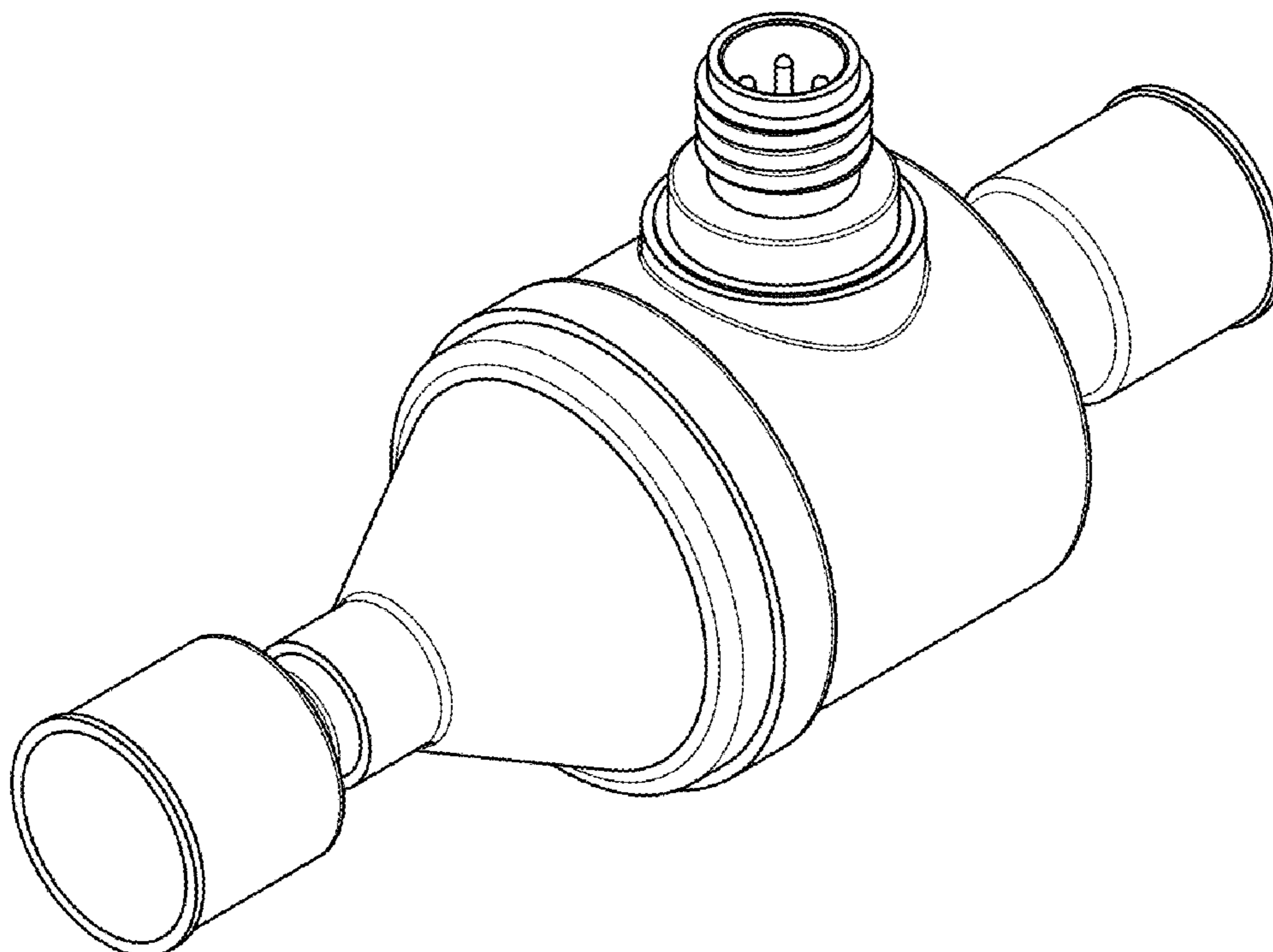
The broken lines are included for the purpose of illustrating portions of the valve that form no part of the claimed design.

**1 Claim, 7 Drawing Sheets**

(56) **References Cited**

**U.S. PATENT DOCUMENTS**

D153,064 S \* 3/1949 Hammon ..... D23/235  
 D357,735 S \* 4/1995 McPhee ..... D23/233  
 D370,963 S \* 6/1996 Daansen ..... D23/235



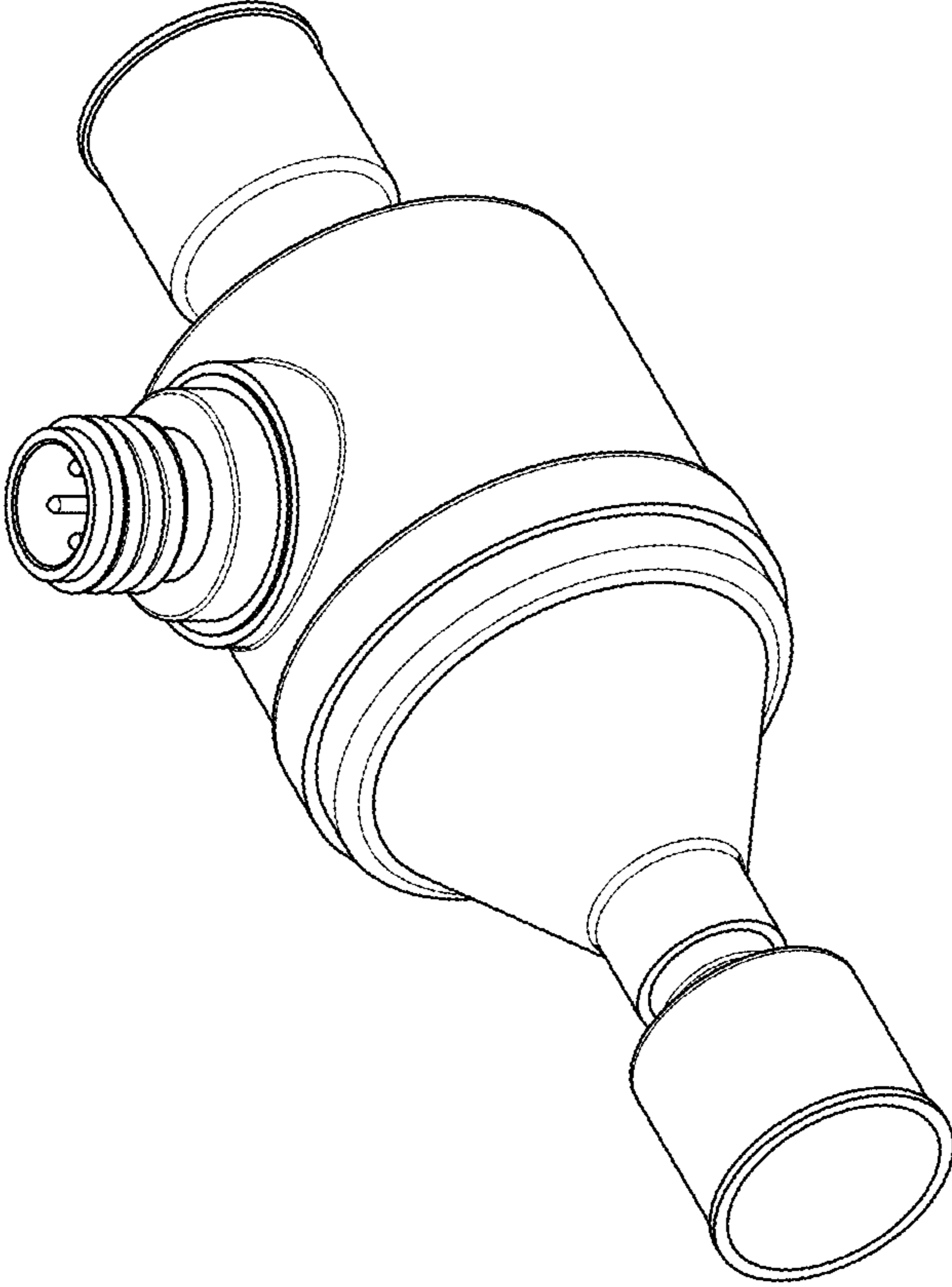


FIG. 1

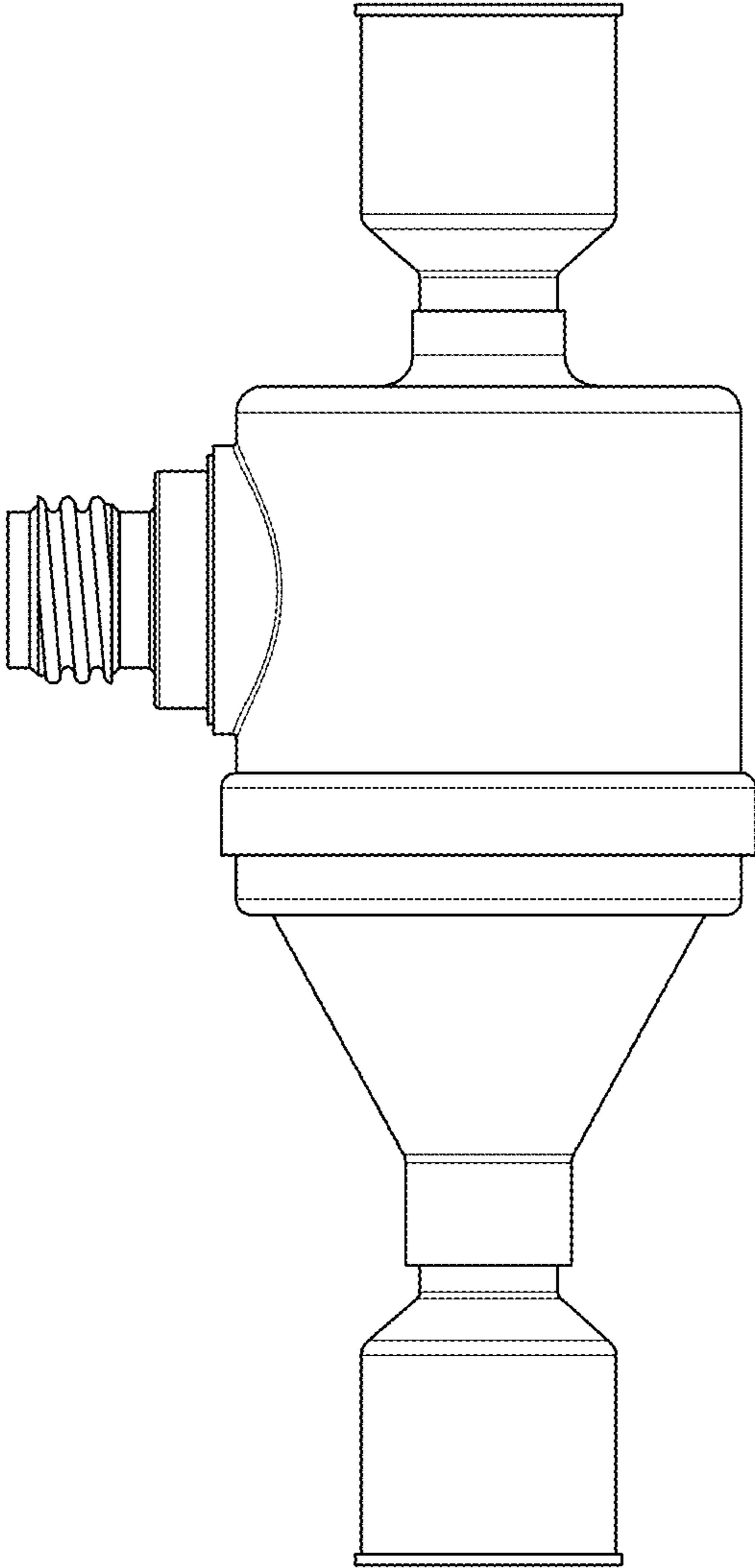


FIG. 2

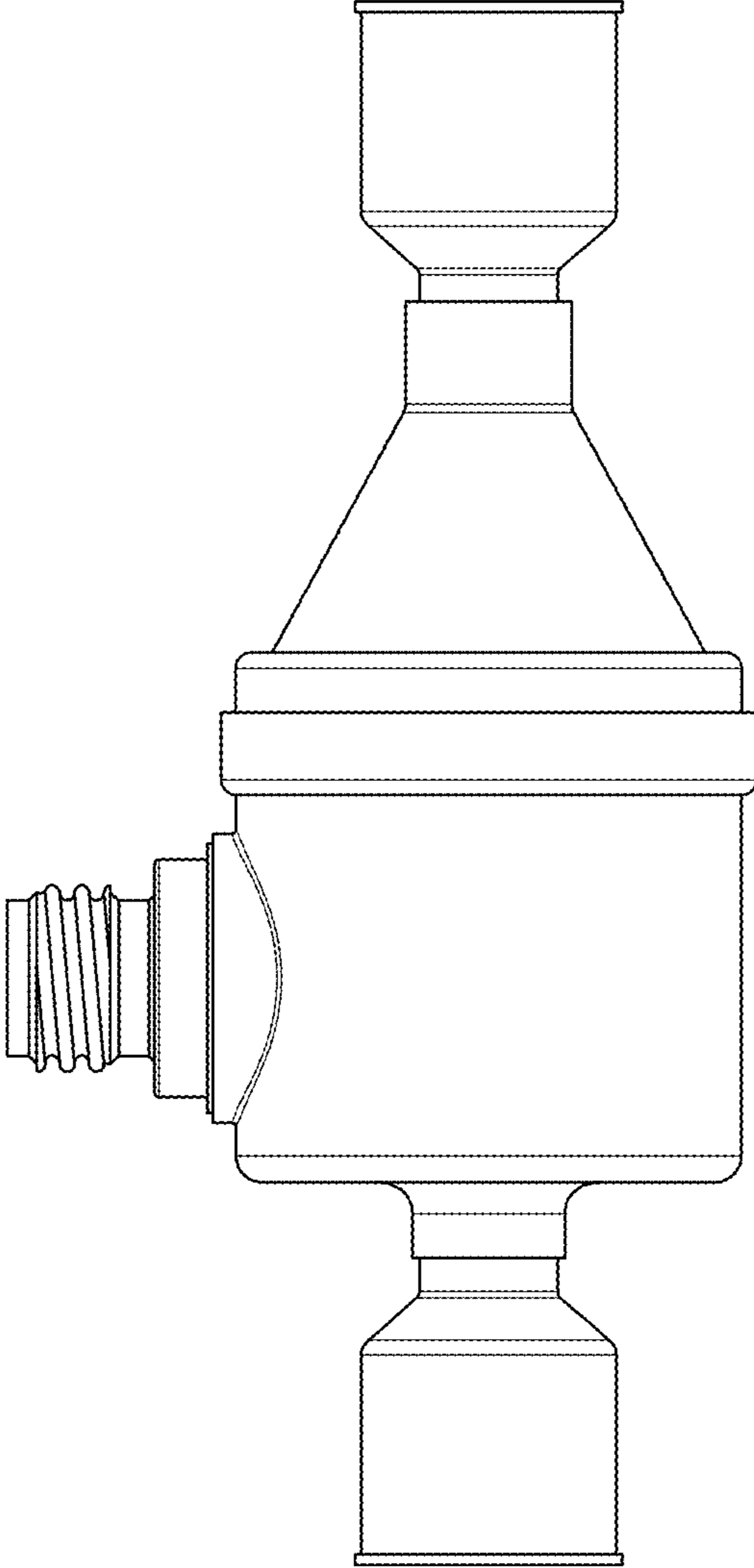


FIG. 3

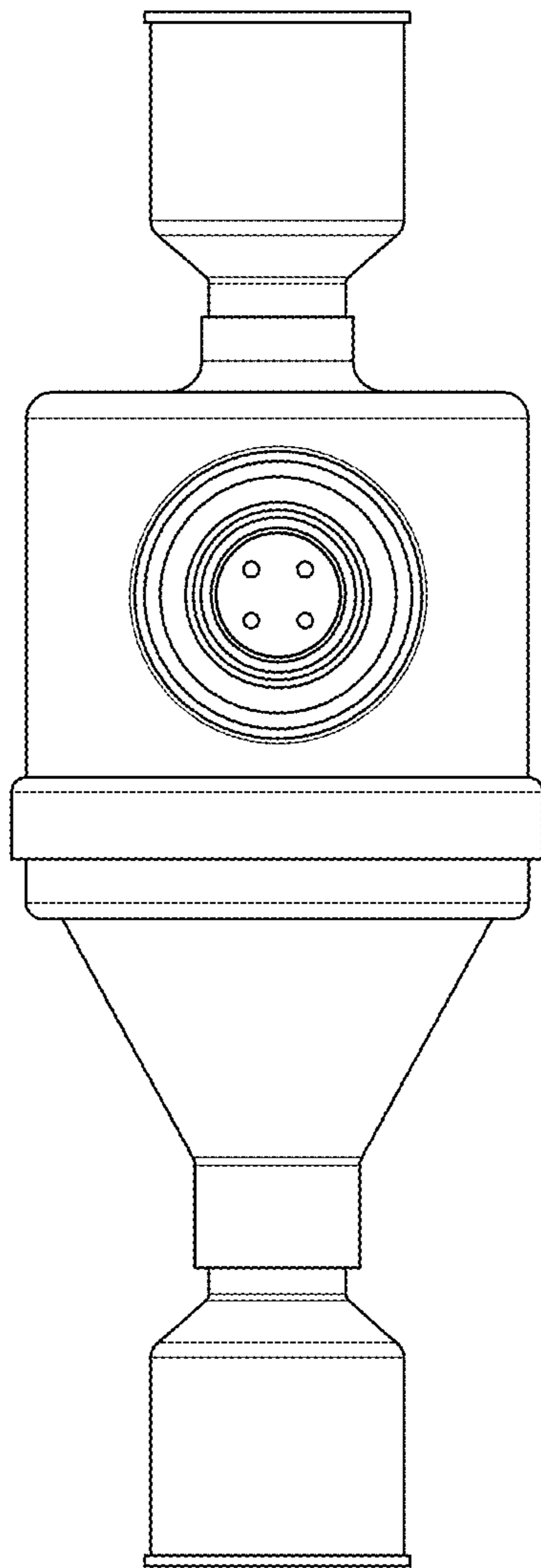


FIG. 4

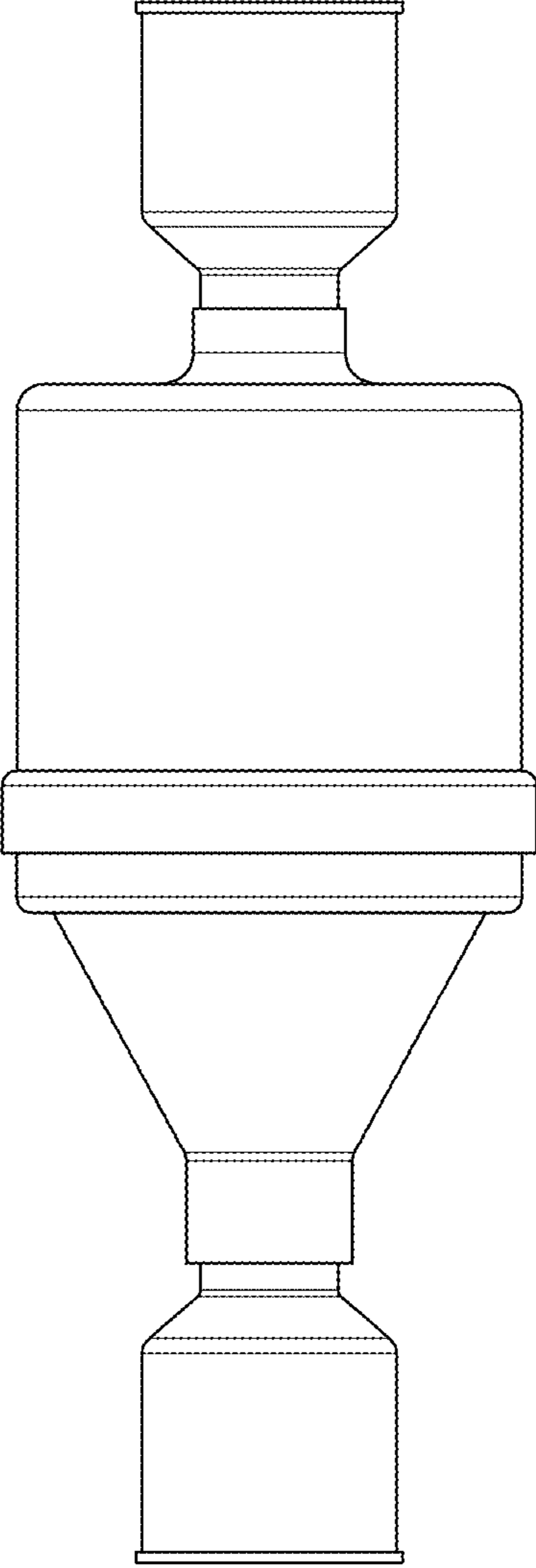


FIG. 5

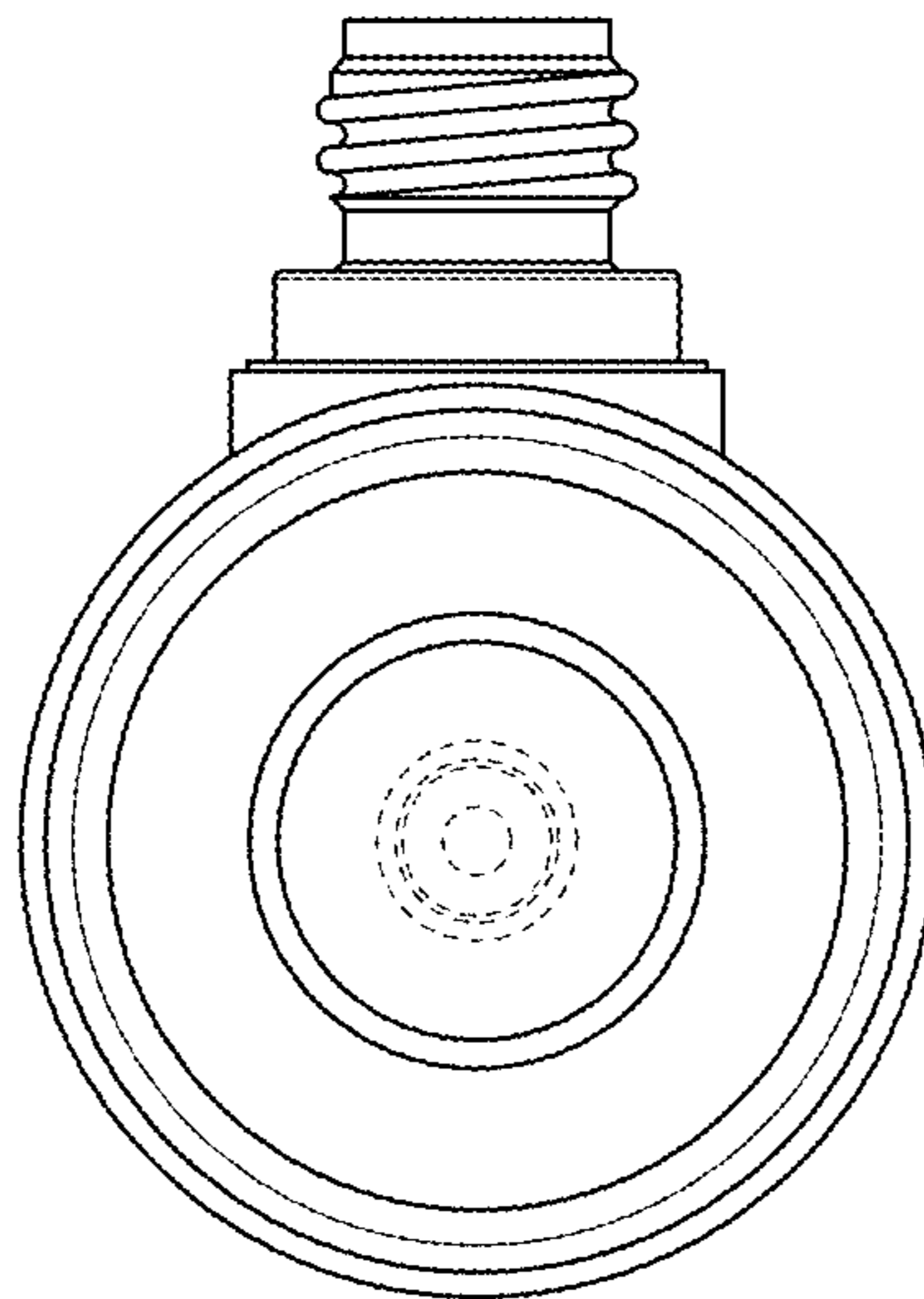


FIG. 6

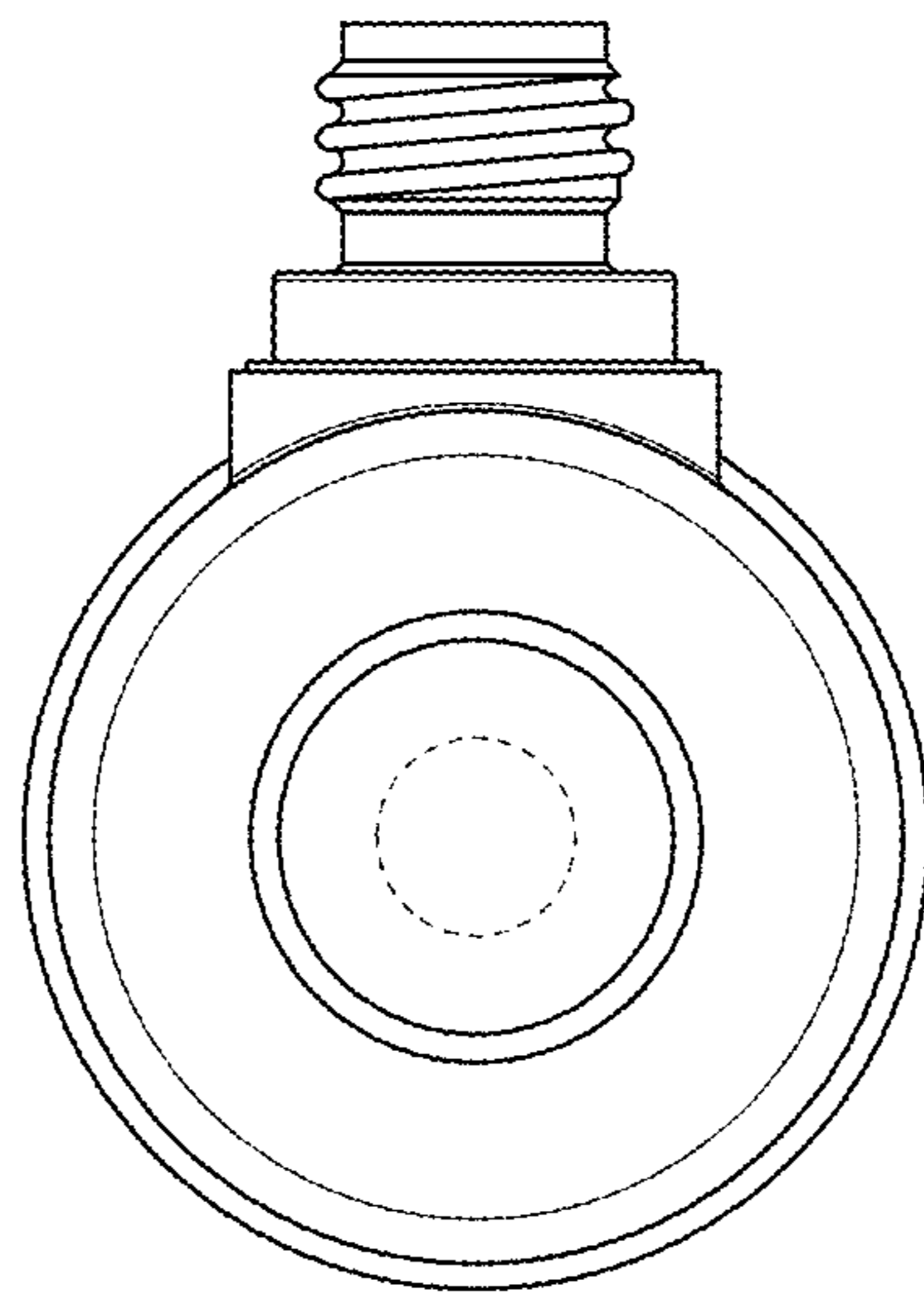


FIG. 7



UNITED STATES PATENT AND TRADEMARK OFFICE  
**CERTIFICATE OF CORRECTION**

PATENT NO. : D768,823 S  
APPLICATION NO. : 29/488762  
DATED : October 11, 2016  
INVENTOR(S) : Kurt Harck et al.

Page 1 of 1

It is certified that error appears in the above-identified patent and that said Letters Patent is hereby corrected as shown below:

On the Title Page

Item (30) Please insert:

-- Foreign Application Priority Data

EM 002333492-0003 October 25, 2013

EM 002333492-0004 October 25, 2013

EM 002333492-0005 October 25, 2013 --

Signed and Sealed this  
Fourth Day of April, 2017



Michelle K. Lee  
*Director of the United States Patent and Trademark Office*