



US00D768822S

(12) **United States Design Patent**
Harck et al.

(10) **Patent No.:** **US D768,822 S**

(45) **Date of Patent:** **** Oct. 11, 2016**

(54) **VALVE**

(71) Applicant: **Danfoss A/S**, Nordborg (DK)

(72) Inventors: **Kurt Harck**, Sonderborg (DK); **Sigurd Larsen**, Flensburg (DE)

(73) Assignee: **DANFOSS A/S**, Nordborg (DK)

(**) Term: **14 Years**

(21) Appl. No.: **29/488,758**

(22) Filed: **Apr. 23, 2014**

(30) **Foreign Application Priority Data**

Oct. 25, 2013 (EM) 002333492-0001
Oct. 25, 2013 (EM) 002333492-0002

(51) **LOC (10) Cl.** **23-01**

(52) **U.S. Cl.**
USPC **D23/233**

(58) **Field of Classification Search**
USPC D23/233-237, 244-249, 269; 137/498,
137/545, 547, 549, 377, 614.17; 251/62,
251/63, 63.5, 129.01, 129.1,
251/129.16-129.18, 215, 309, 310, 312
CPC F16K 47/08; F16K 15/188; F16K 31/12;
F16K 5/10; F16K 11/0716; F16K 11/0853
See application file for complete search history.

(56) **References Cited**

U.S. PATENT DOCUMENTS

D153,064 S * 3/1949 Hammon D23/235
D370,963 S * 6/1996 Daansen D23/235

D412,738 S * 8/1999 Kuwabara D23/233
D460,522 S * 7/2002 Flinchbaugh D23/233
D499,464 S * 12/2004 Caine D23/233
D500,840 S * 1/2005 Kim D23/233
D527,793 S * 9/2006 Cantolino D23/233
D635,644 S * 4/2011 Yamada D23/233
D638,915 S * 5/2011 Cardno D23/233
D708,706 S * 7/2014 Pridham D23/233
D732,641 S * 6/2015 Hermann D23/233

* cited by examiner

Primary Examiner — Cynthia Ramirez

(74) *Attorney, Agent, or Firm* — McCormick, Paulding & Huber LLP

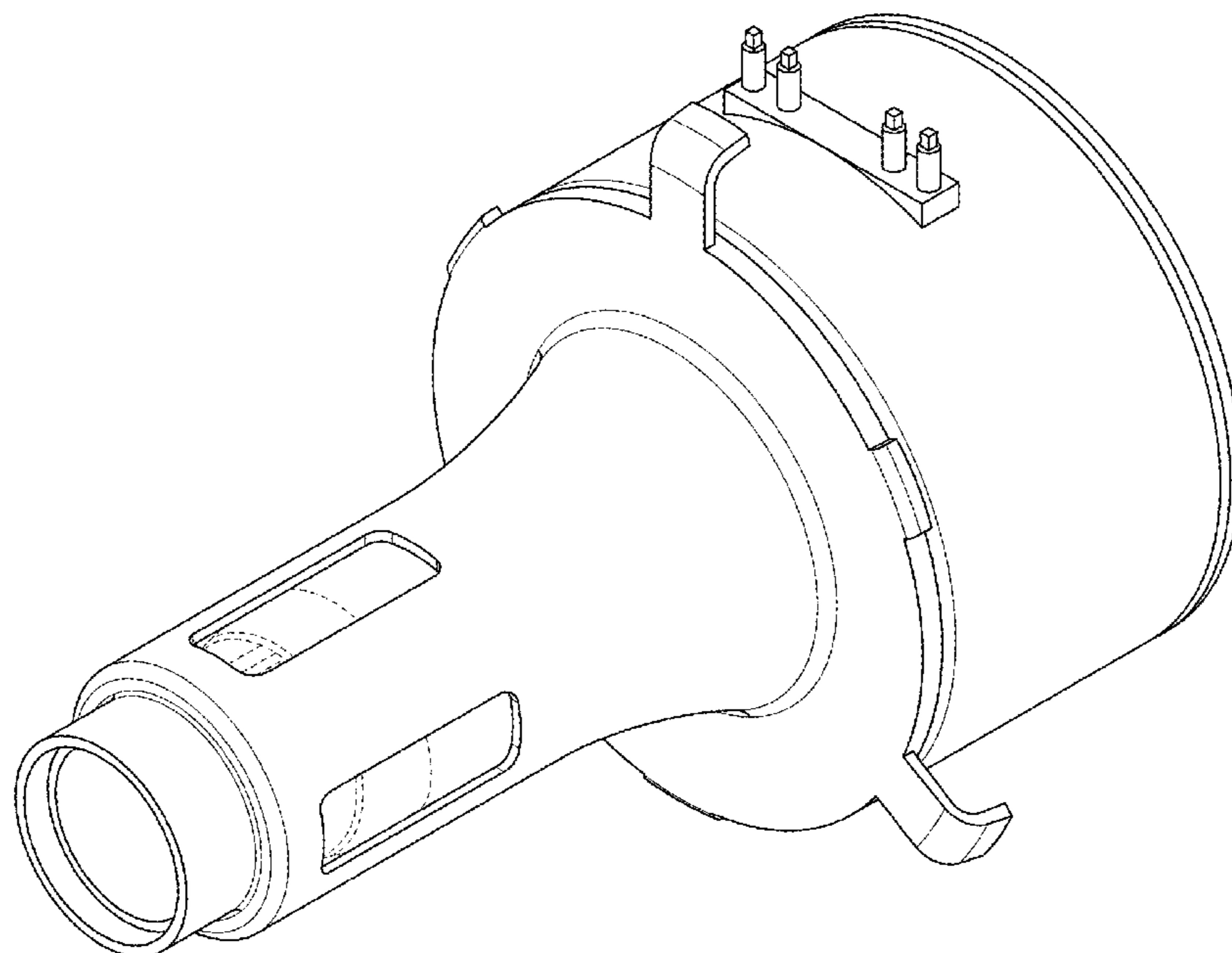
(57) **CLAIM**

The ornamental design for a valve, as shown and described.

DESCRIPTION

FIG. 1 is a front, bottom, and right-hand side perspective view of a valve showing our new design;
FIG. 2 is a front view thereof;
FIG. 3 is a rear view thereof;
FIG. 4 is a bottom view thereof;
FIG. 5 is a top view thereof;
FIG. 6 is a right-hand side view thereof; and,
FIG. 7 is a left-hand side view thereof.
The broken lines are included for the purpose of illustrating portions of the valve that form no part of the claimed design.

1 Claim, 7 Drawing Sheets



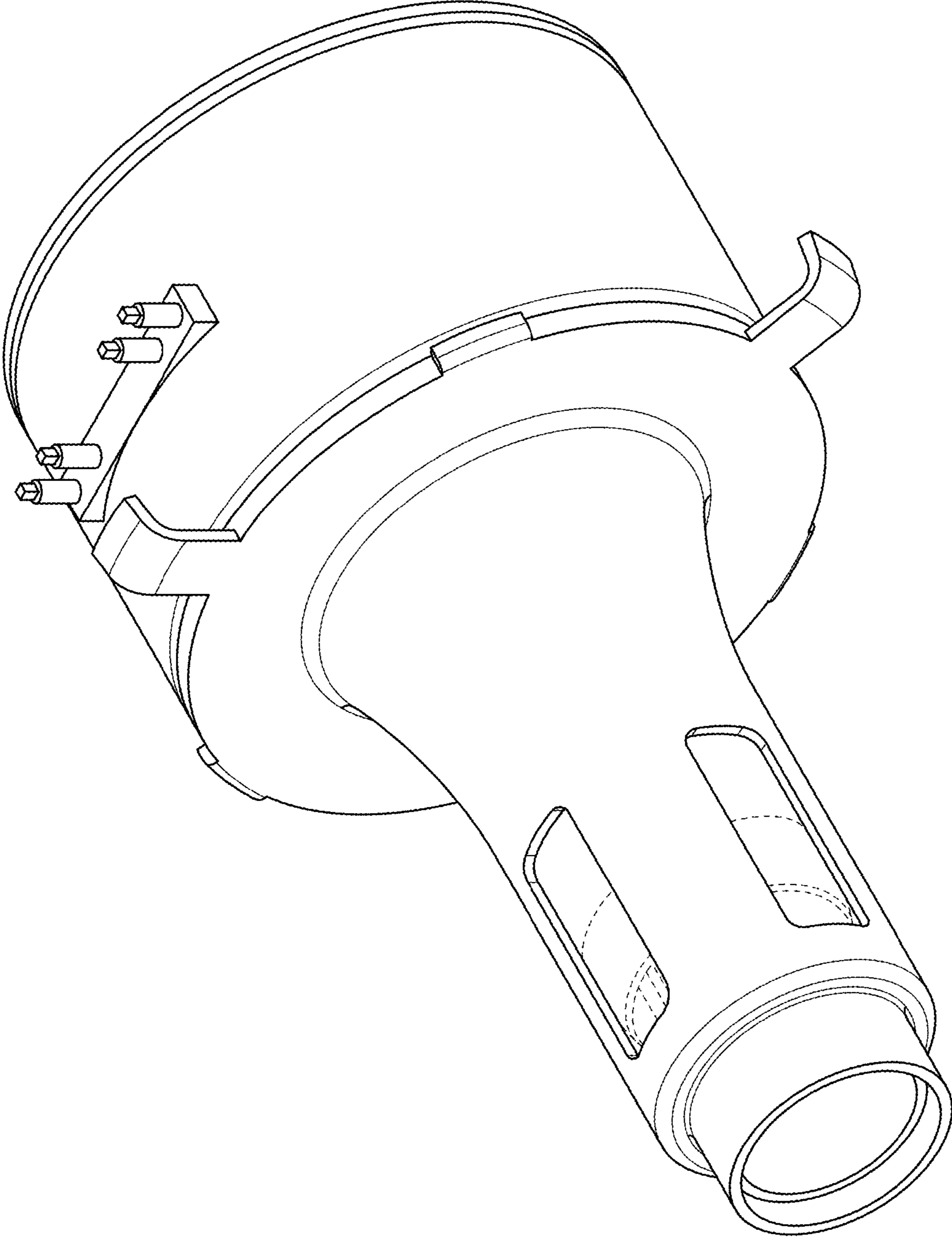


FIG. 1

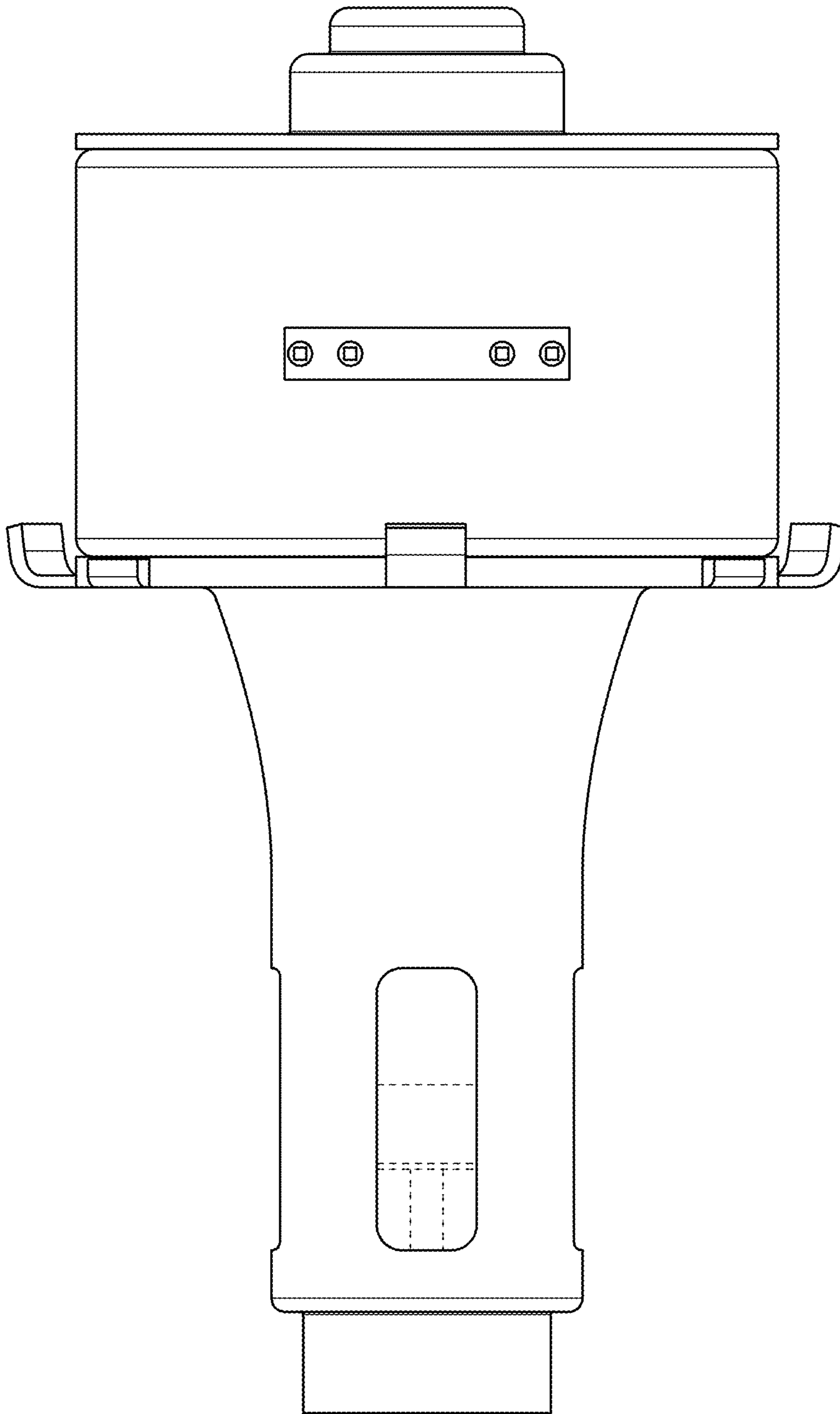


FIG. 2

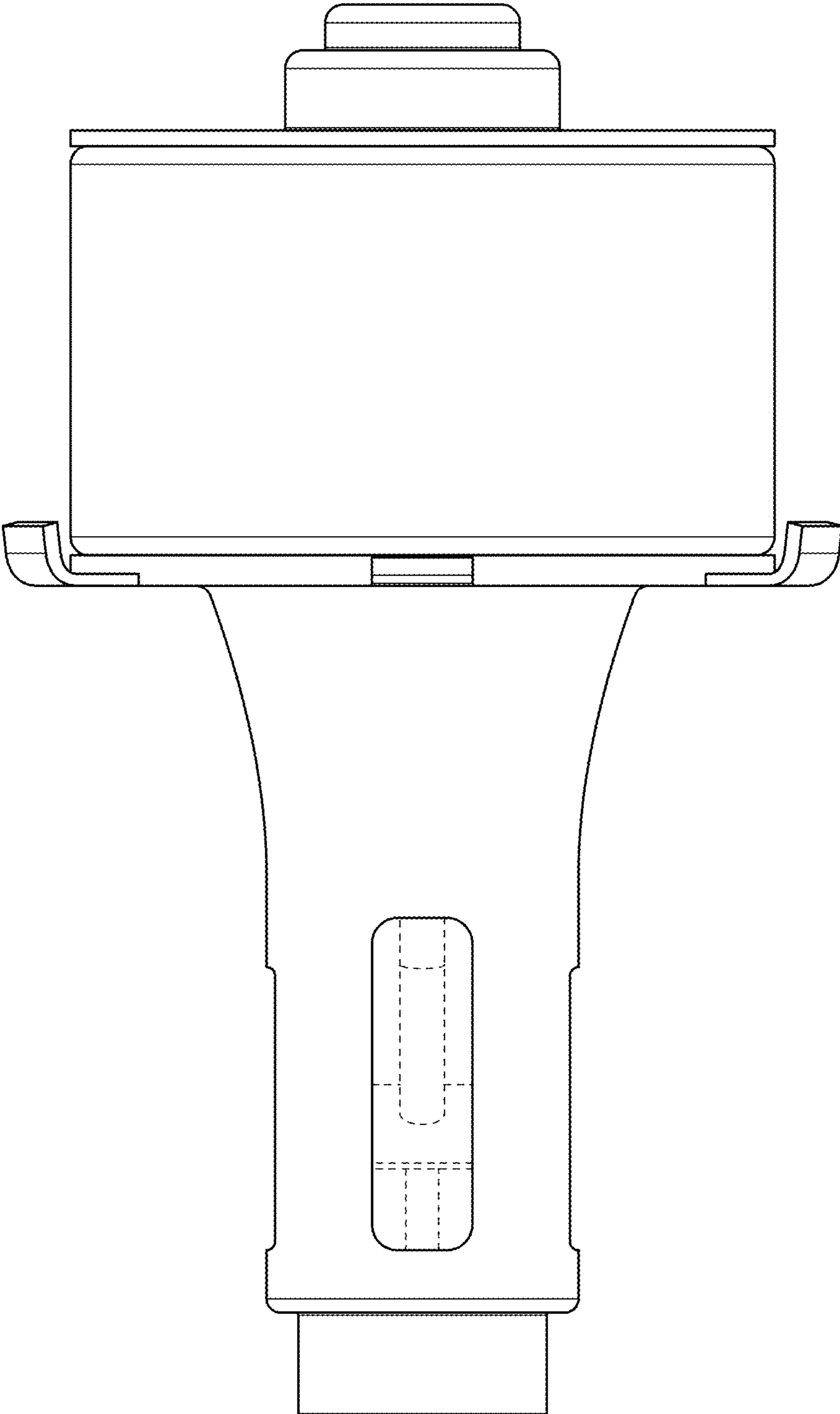


FIG. 3

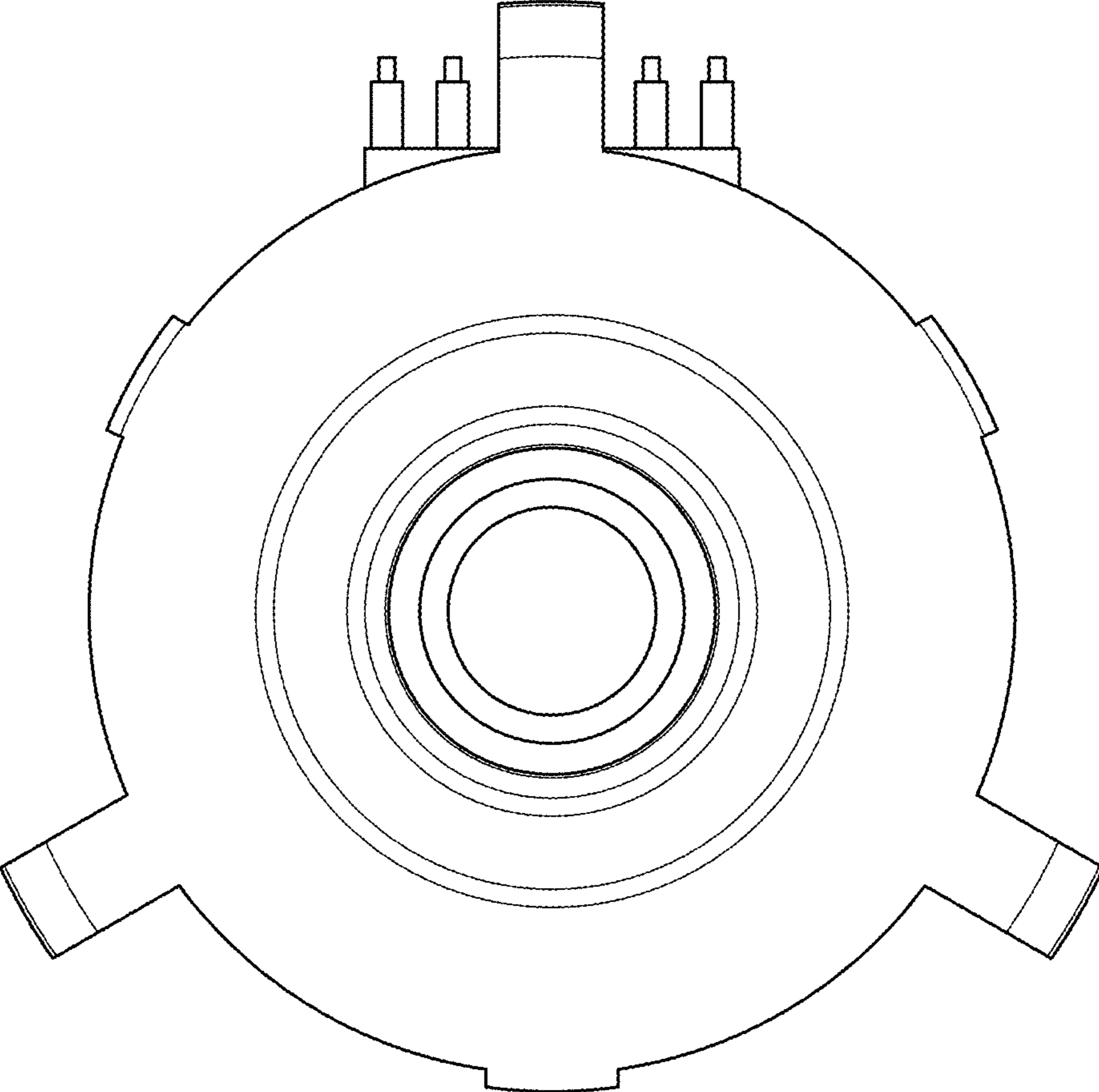


FIG. 4

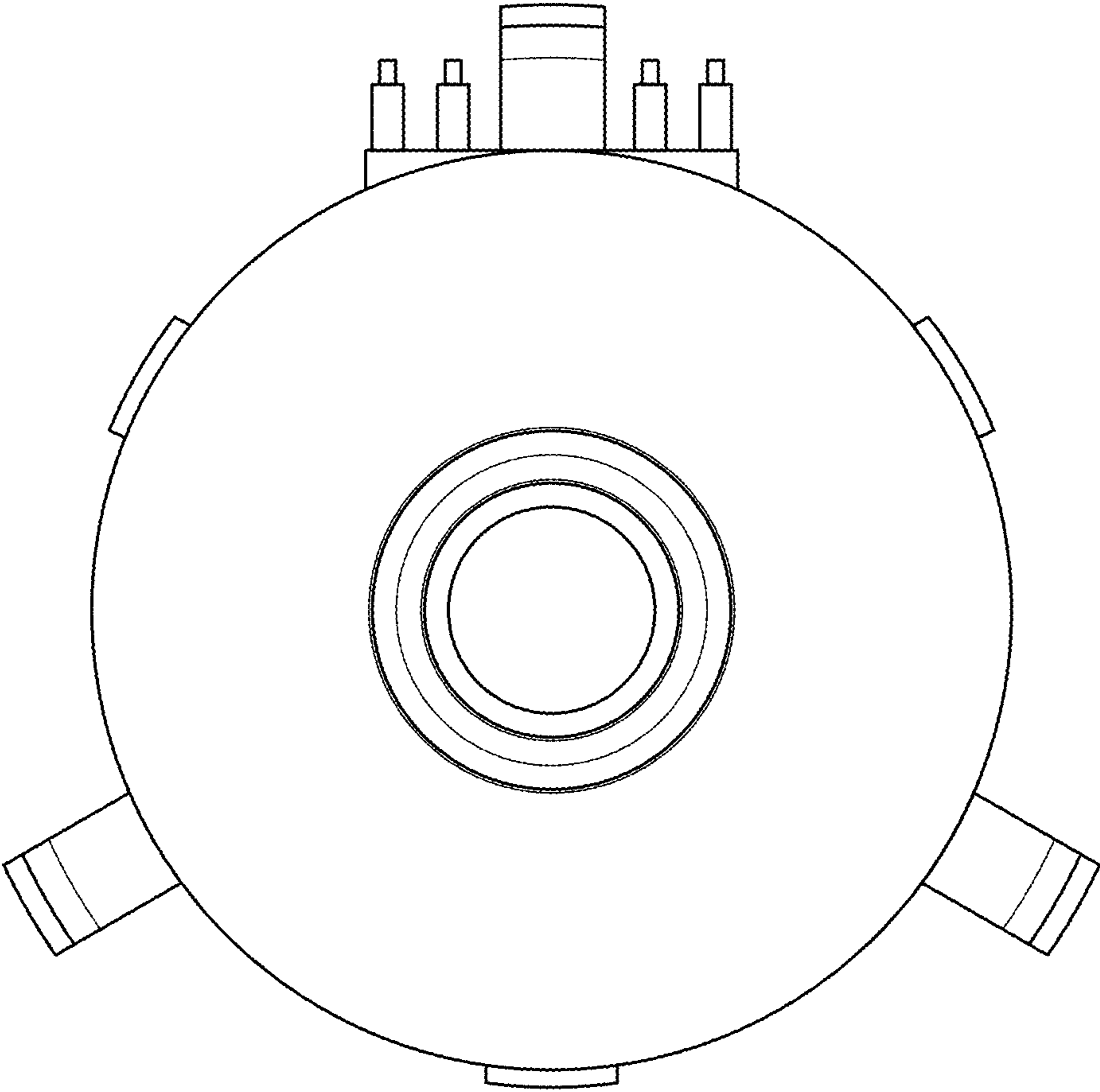


FIG. 5

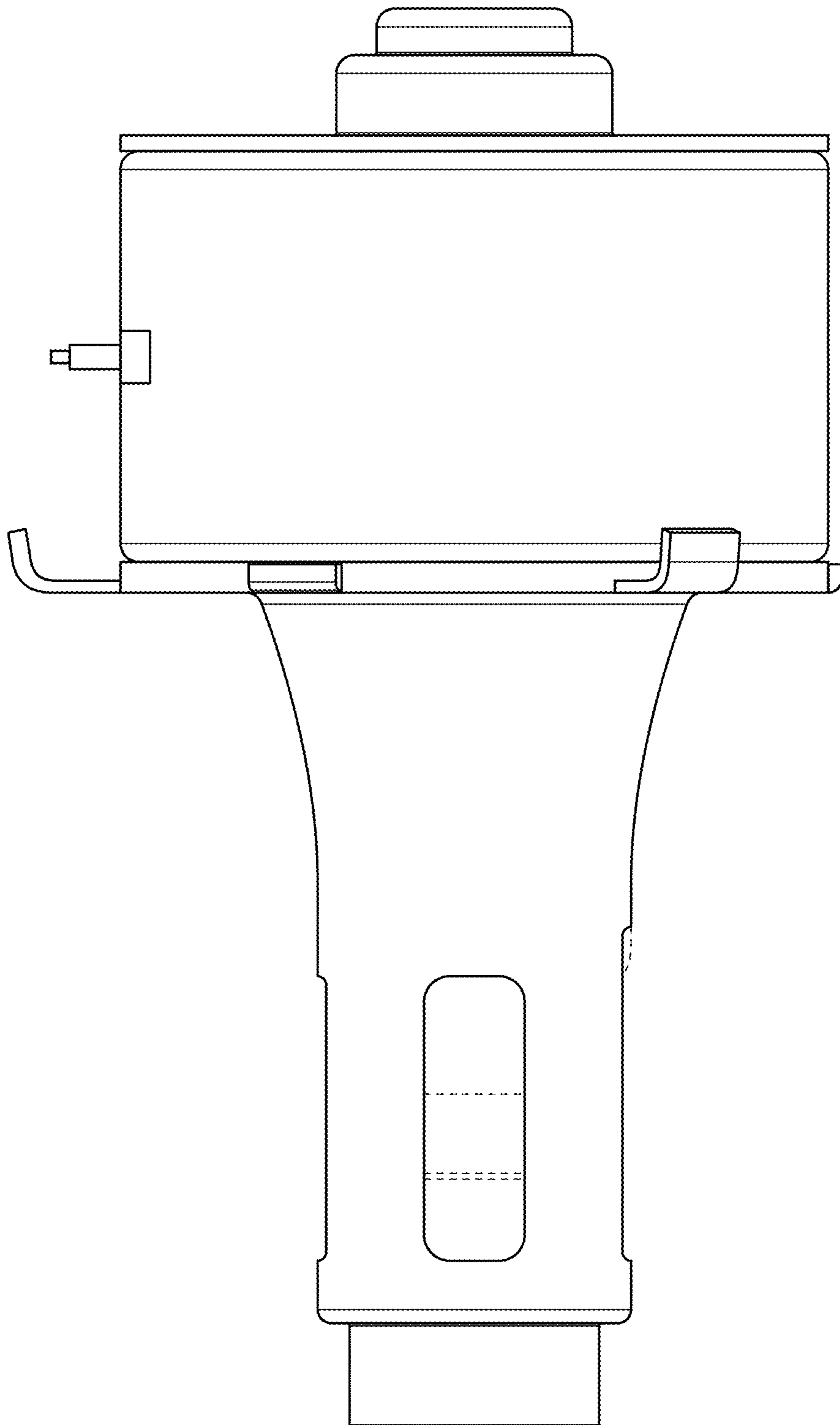


FIG. 6

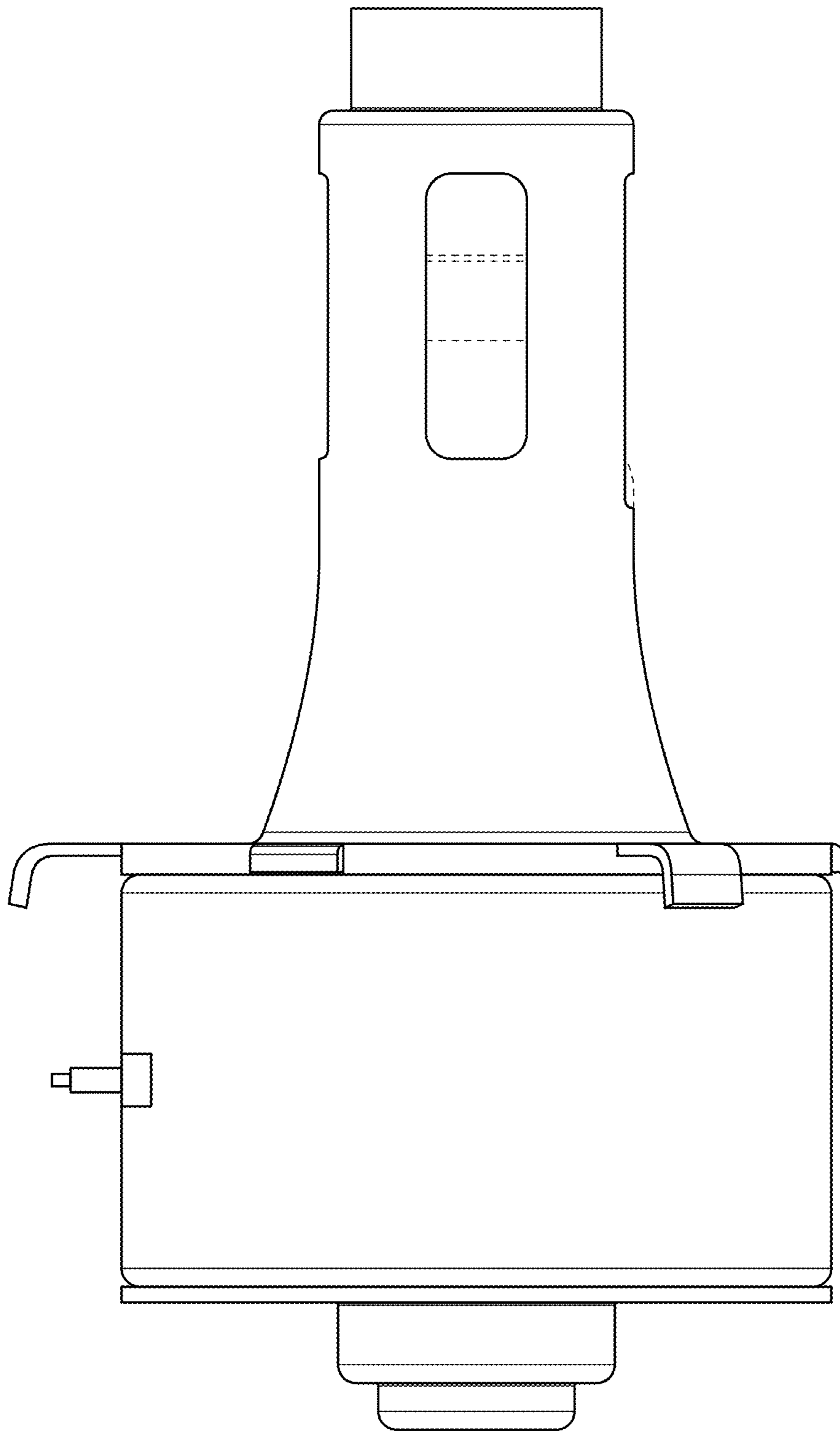


FIG. 7