



US00D768821S

(12) **United States Design Patent**  
**Flowers et al.**

(10) **Patent No.:** **US D768,821 S**

(45) **Date of Patent:** **\*\* Oct. 11, 2016**

(54) **SHOWER SYSTEM**

(71) Applicant: **Grohe AG**, Hemer (DE)

(72) Inventors: **Paul Flowers**, London (GB); **Patrick De Arins Speck**, Curitiba (BR)

(73) Assignee: **Grohe AG**, Hemer (DE)

(\*\*) Term: **15 Years**

(21) Appl. No.: **29/538,883**

(22) Filed: **Sep. 9, 2015**

(30) **Foreign Application Priority Data**

Mar. 9, 2015 (EM) ..... 002648451-0001

(51) **LOC (10) Cl.** ..... **23-01**

(52) **U.S. Cl.**  
USPC ..... **D23/228**

(58) **Field of Classification Search**  
USPC ..... D23/213, 228, 304; 4/601, 675, 597,  
4/570, 612, 614  
CPC ..... E03C 1/06; A47K 3/285  
See application file for complete search history.

(56) **References Cited**

**U.S. PATENT DOCUMENTS**

D612,453 S \* 3/2010 Schoenherr ..... D23/228  
D638,520 S \* 5/2011 Matsuura ..... D23/228

D648,825 S \* 11/2011 Ando ..... D23/228  
D687,924 S \* 8/2013 Newson ..... D23/213  
D702,817 S \* 4/2014 Ryu ..... D23/228  
D704,301 S \* 5/2014 Standefer ..... D23/228

\* cited by examiner

*Primary Examiner* — Robin V Webster

(74) *Attorney, Agent, or Firm* — Muncy, Geissler, Olds & Lowe, P.C.

(57) **CLAIM**

The ornamental design for a shower system, as shown and described.

**DESCRIPTION**

FIG. 1 is a front perspective view of a shower system according to the present invention.

FIG. 2 is a left side view of the shower system of FIG. 1.

FIG. 3 is a right side view of the shower system of FIG. 1.

FIG. 4 is a top view of the shower system of FIG. 1.

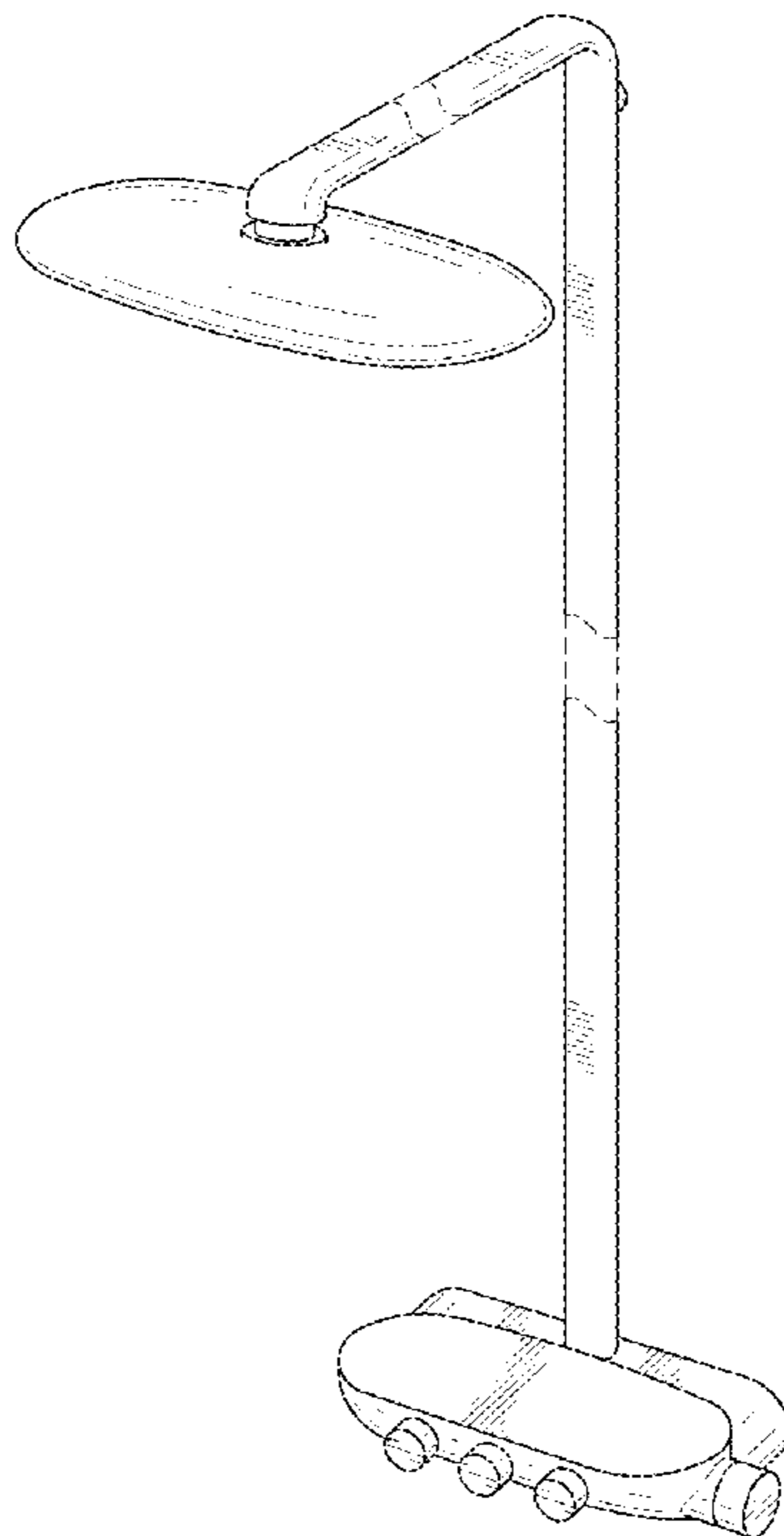
FIG. 5 is a bottom view of the shower system of FIG. 1.

FIG. 6 is a front view of the shower system of FIG. 1; and, FIG. 7 is a rear view of the shower system of FIG. 1.

The dashed lines illustrate environment that does not form a part of the present invention, and no claim is made to the material illustrated with dashed lines.

The shower system is shown fragmented at the top and vertical bars to indicate non specified length.

**1 Claim, 7 Drawing Sheets**



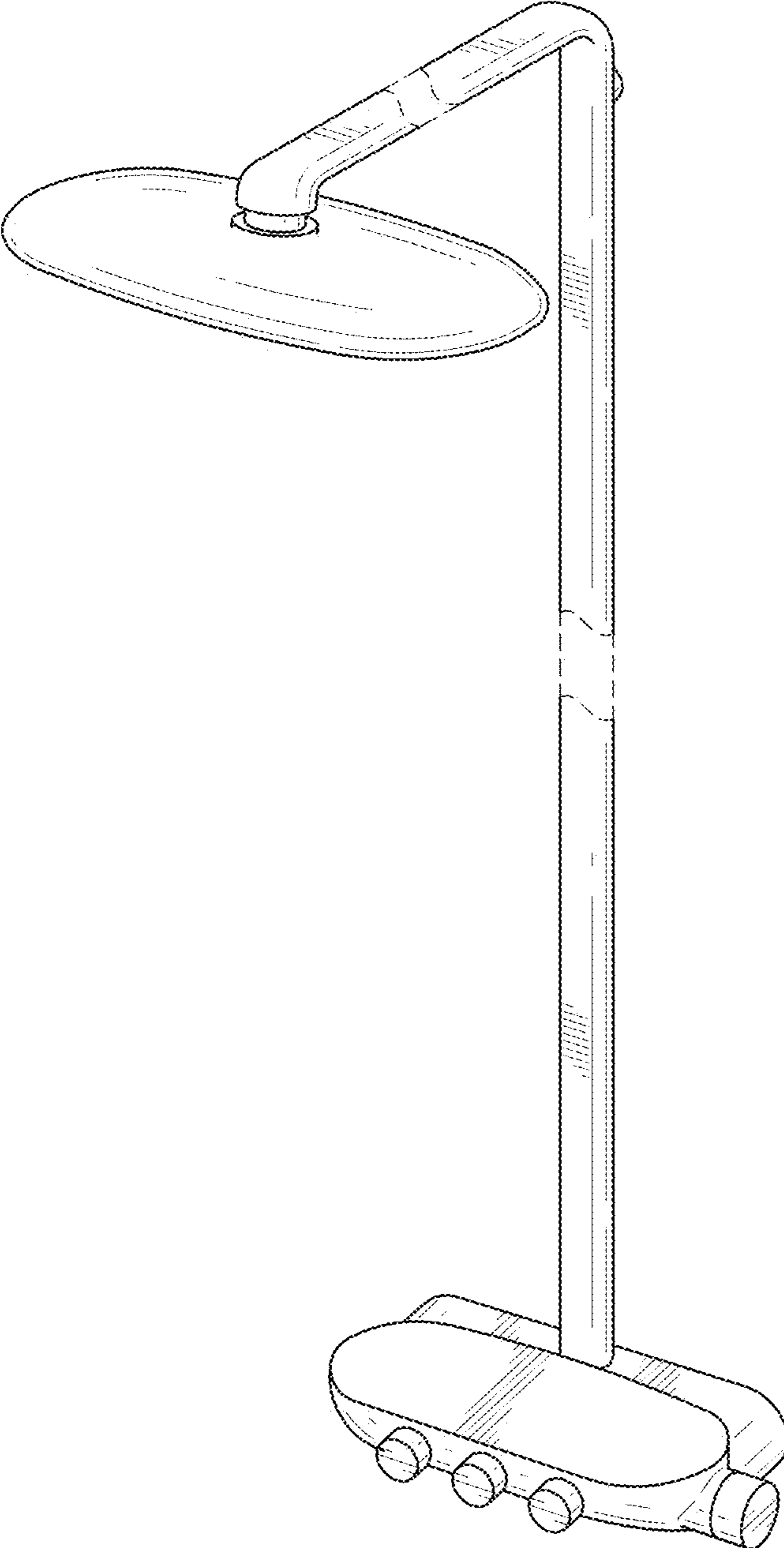


FIG.1

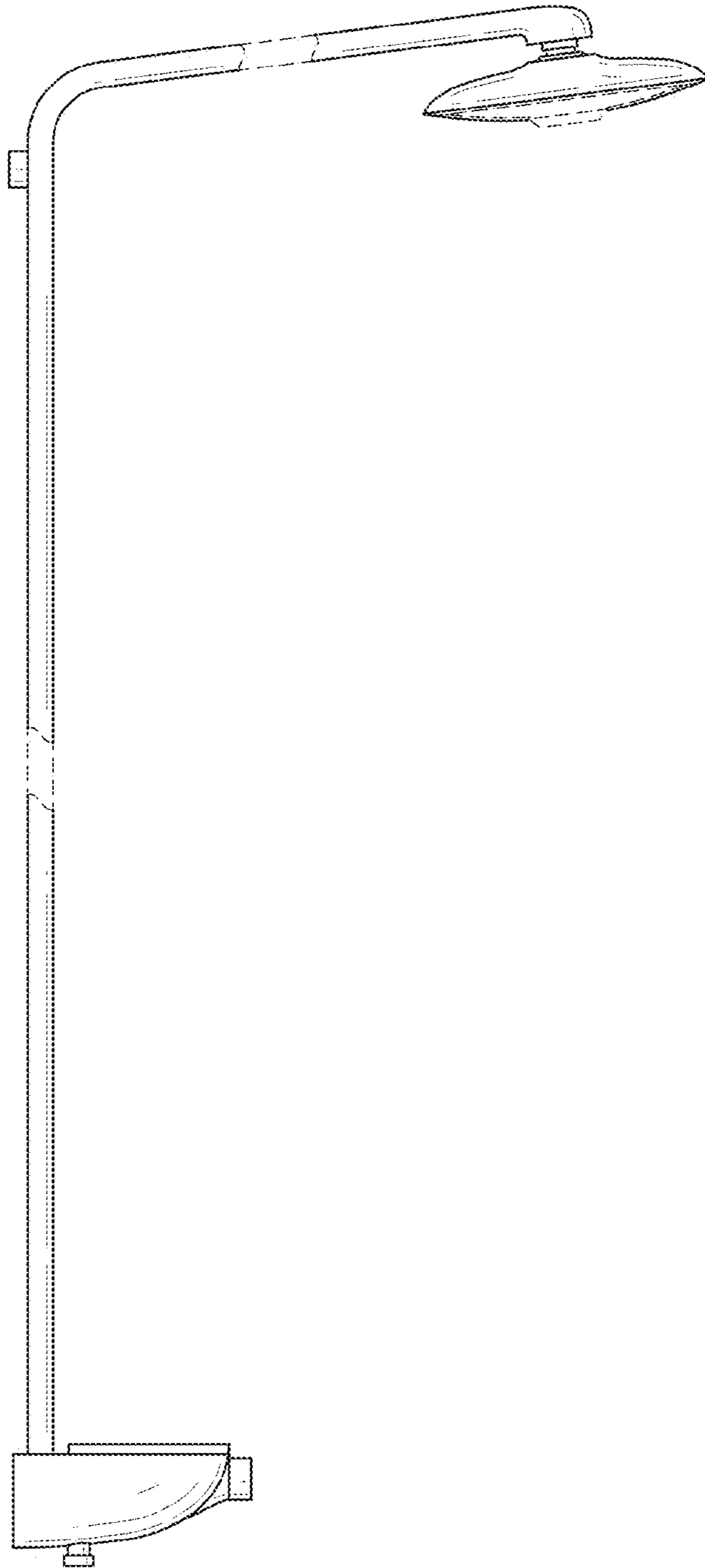


FIG.2

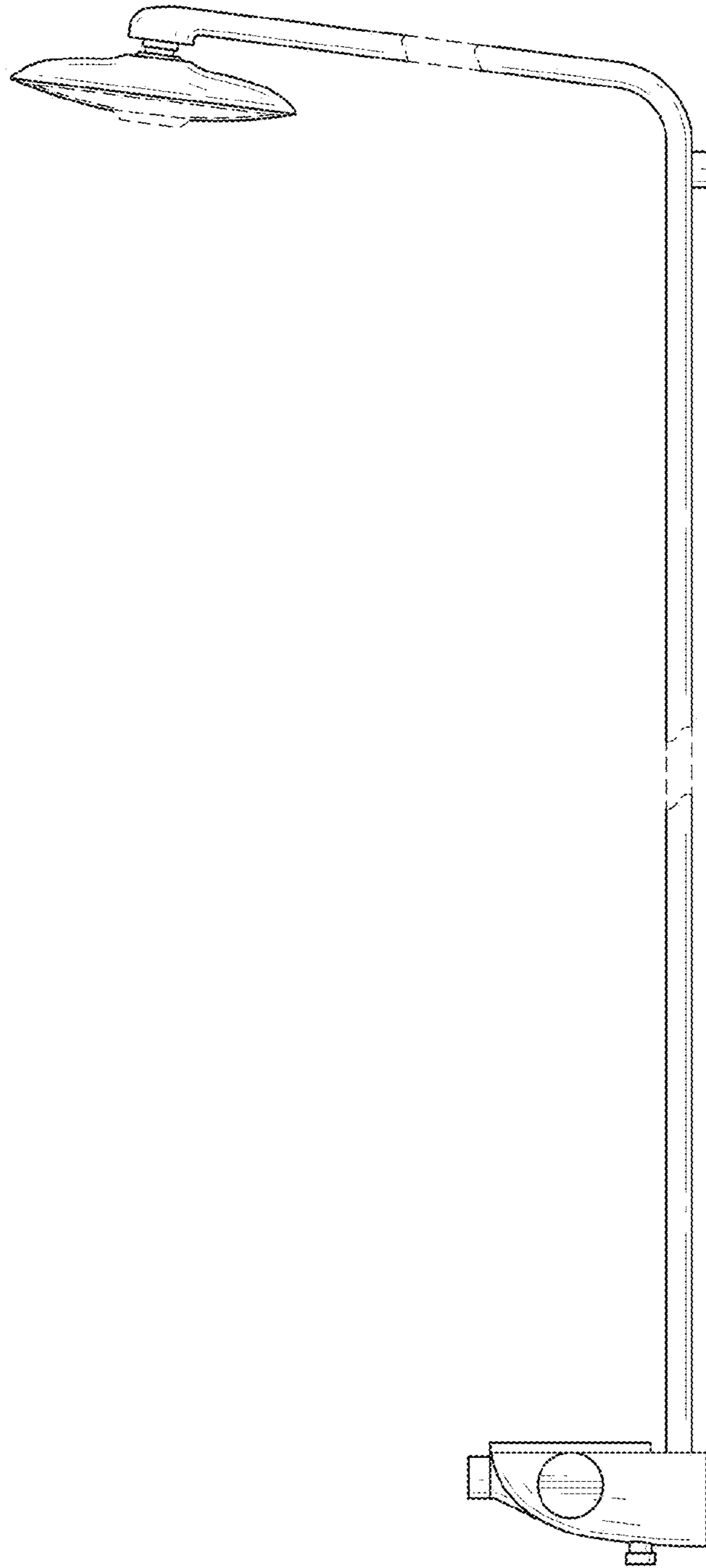


FIG.3

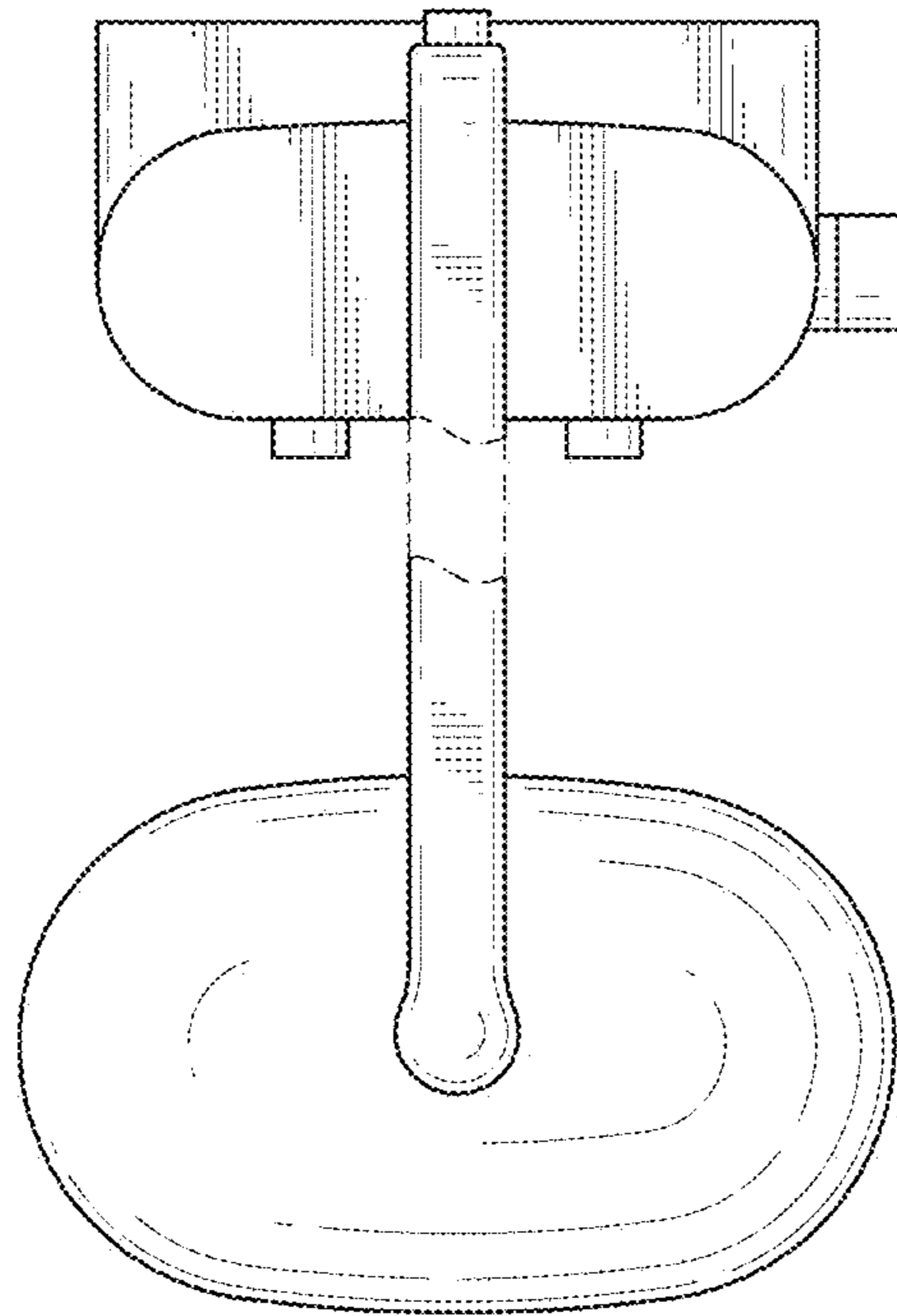


FIG.4

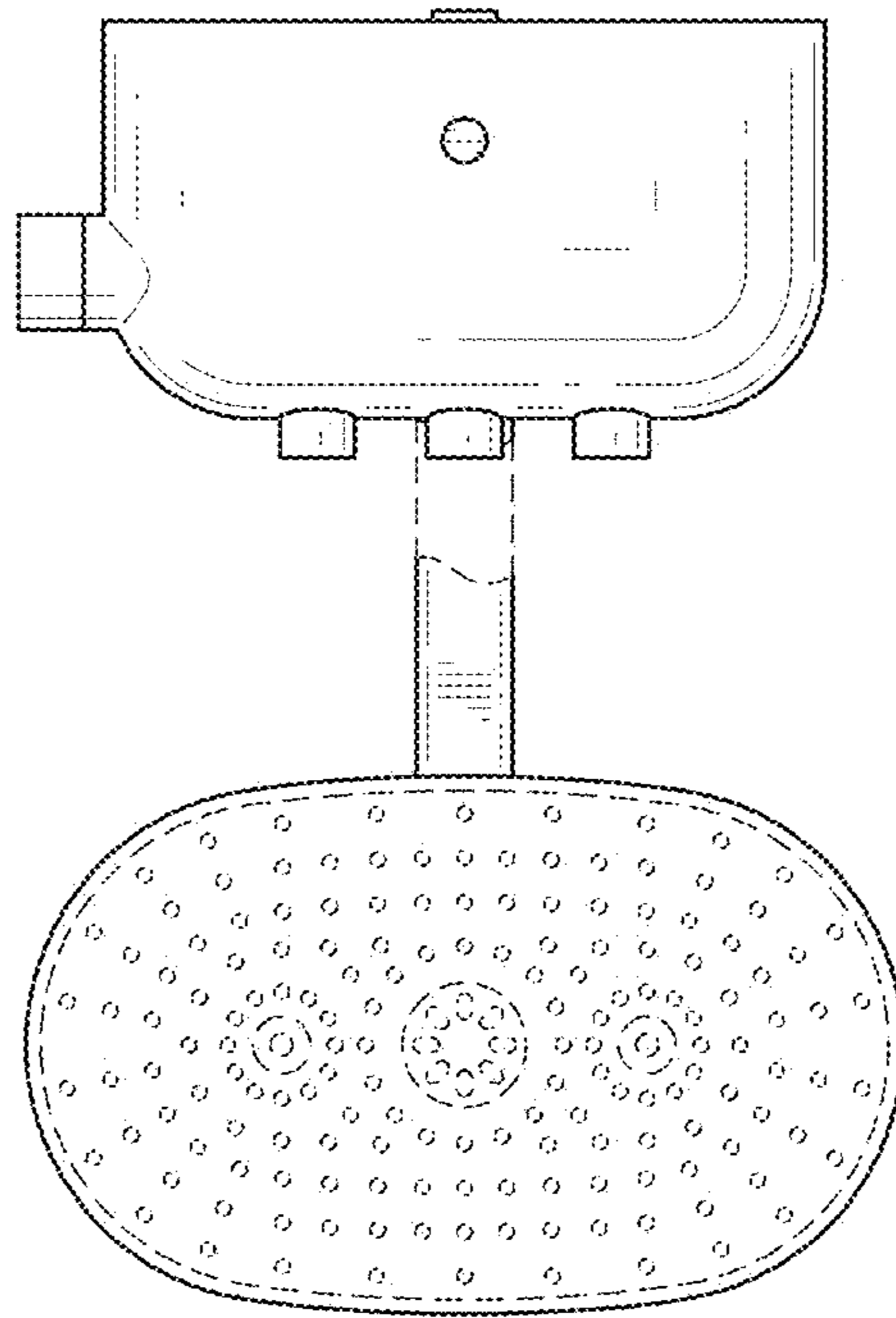


FIG.5

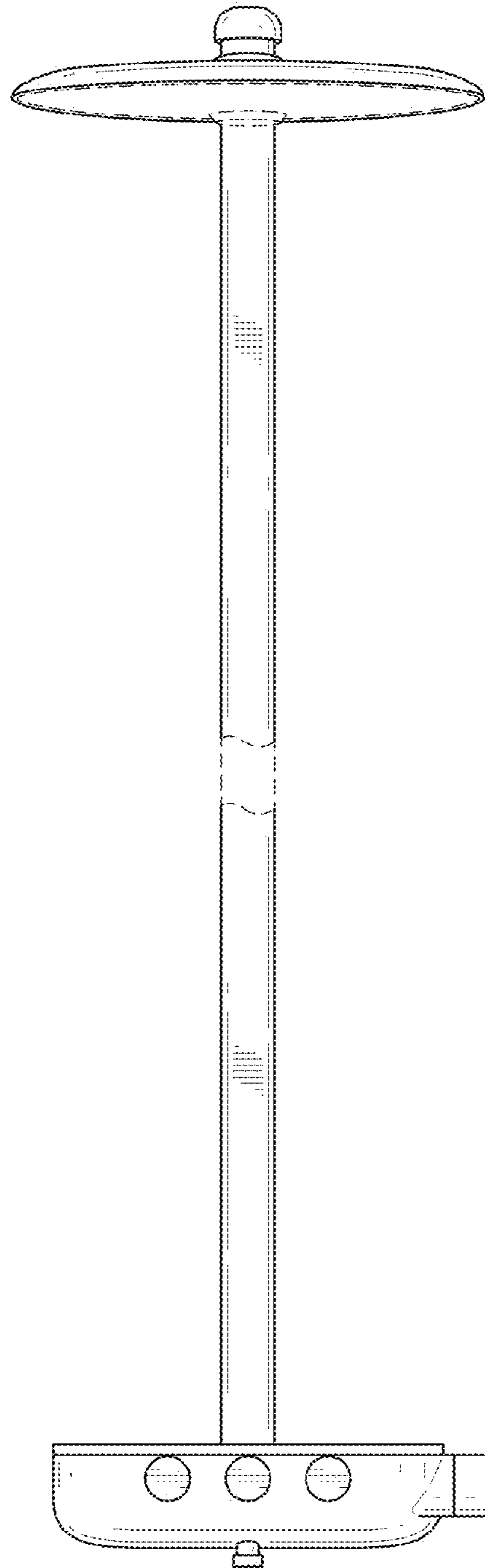


FIG.6

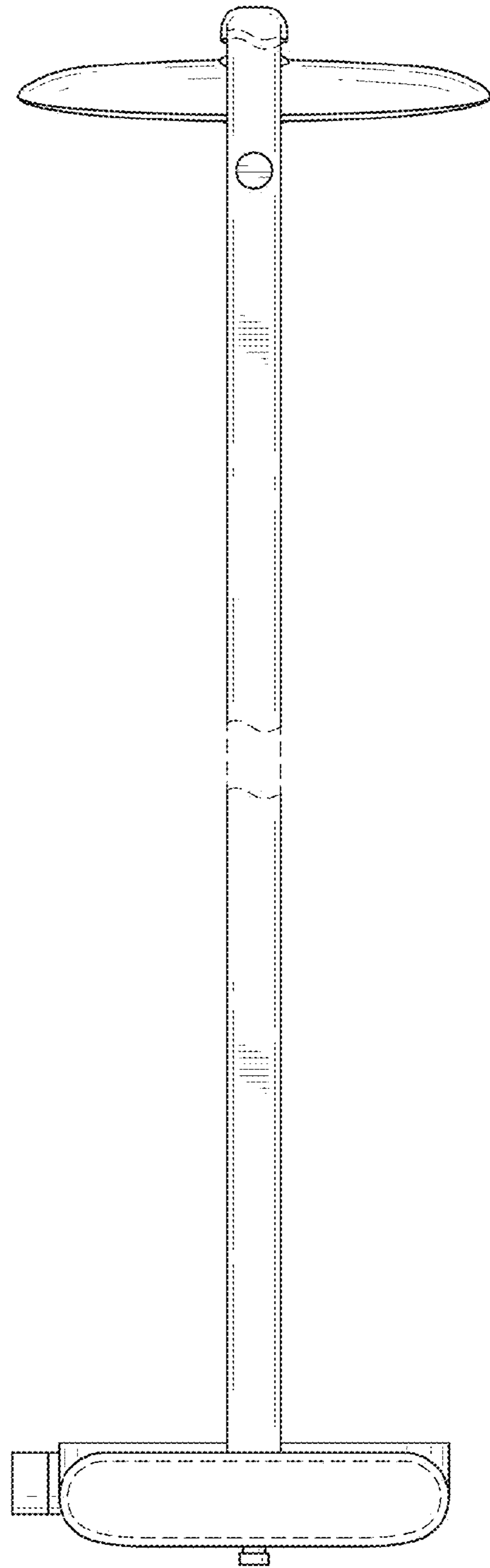


FIG.7