

US00D768818S

(12) **United States Design Patent**  
**Chen**

(10) **Patent No.:** **US D768,818 S**

(45) **Date of Patent:** **\*\* Oct. 11, 2016**

(54) **SPRAY HEAD**

(71) Applicant: **SHIN TAI SPURT WATER OF THE GARDEN TOOLS CO., LTD.,**  
Lu-Kang Town, Chang-Hua Hsien (TW)

(72) Inventor: **Chin-Yuan Chen**, Lu-Kang Town (TW)

(73) Assignee: **SHIN TAI SPURT WATER OF THE GARDEN TOOLS CO., LTD.,**  
Chang-Hua Hsien (TW)

(\*\*) Term: **15 Years**

(21) Appl. No.: **29/535,613**

(22) Filed: **Aug. 7, 2015**

(51) **LOC (10) Cl.** ..... **23-01**

(52) **U.S. Cl.**  
USPC ..... **D23/223**

(58) **Field of Classification Search**  
USPC ..... D23/213, 223, 226; 239/526, 532  
CPC ..... B05B 9/01; B05B 15/061  
See application file for complete search history.

(56) **References Cited**

**U.S. PATENT DOCUMENTS**

6,216,965 B1 \* 4/2001 Chao ..... B05B 15/067  
239/280  
D470,567 S \* 2/2003 Alkalay ..... D23/223

D492,979 S \* 7/2004 Chen ..... D23/223  
D499,790 S \* 12/2004 Chen ..... D23/223  
6,915,967 B1 \* 7/2005 Chen ..... B05B 1/3013  
239/525  
D513,427 S \* 1/2006 Chen ..... D23/223  
D555,766 S \* 11/2007 Chen ..... D23/223  
D557,377 S \* 12/2007 Chen ..... D23/223  
D636,058 S \* 4/2011 Hung ..... D23/223  
D657,018 S \* 4/2012 Chen ..... D23/226

\* cited by examiner

*Primary Examiner* — Robin V Webster

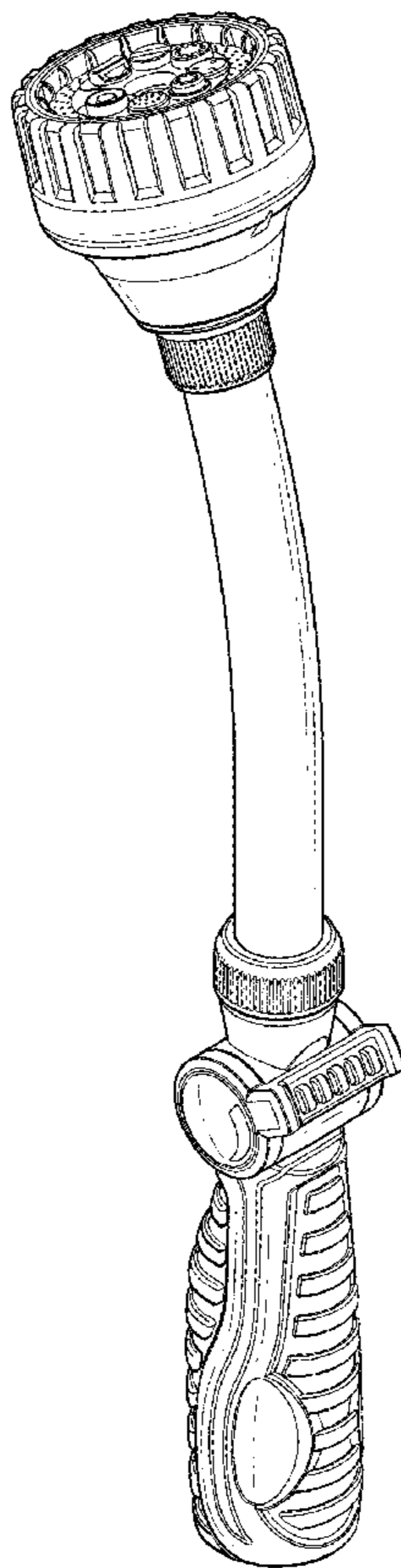
(57) **CLAIM**

The ornamental design for a spray head, as shown and described.

**DESCRIPTION**

FIG. 1 is a perspective view of a spray head showing my new design;  
FIG. 2 is a front elevational view thereof;  
FIG. 3 is a rear elevational view thereof;  
FIG. 4 is a left side elevational view thereof;  
FIG. 5 is a right side elevational view thereof;  
FIG. 6 is a top plan view thereof; and,  
FIG. 7 is a bottom plan view thereof.

**1 Claim, 4 Drawing Sheets**



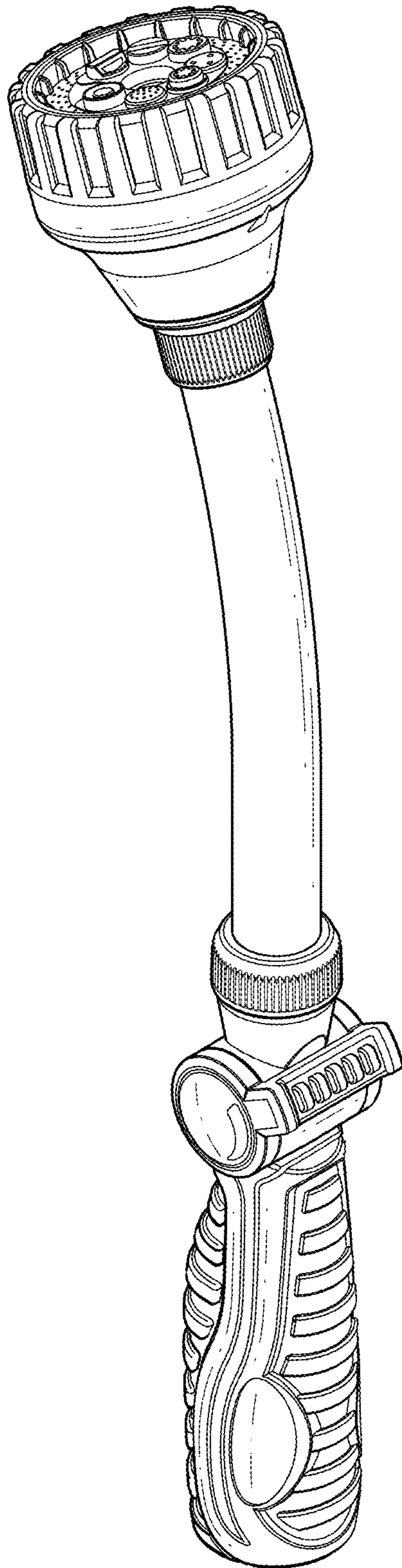


FIG. 1

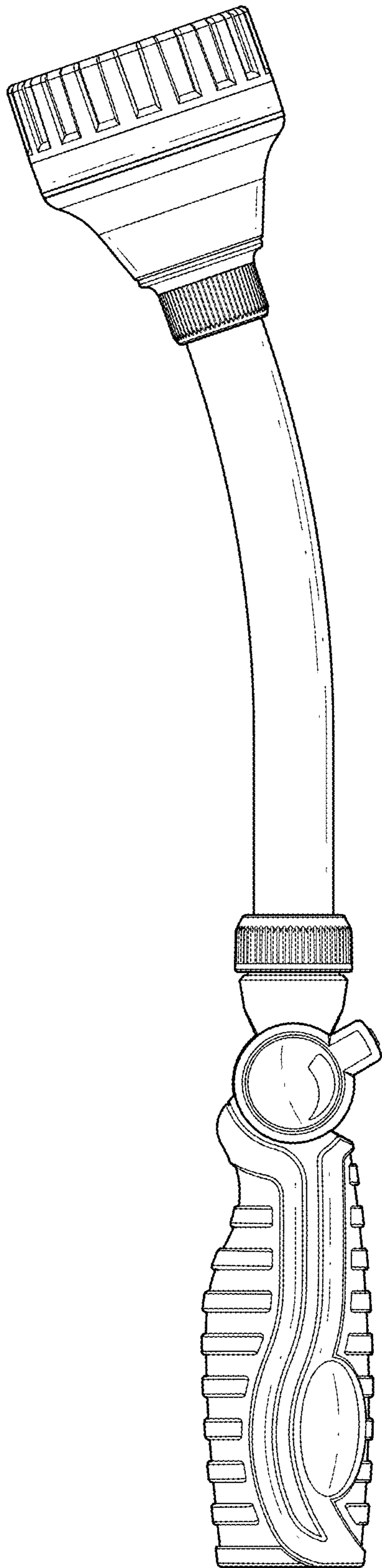


FIG. 2

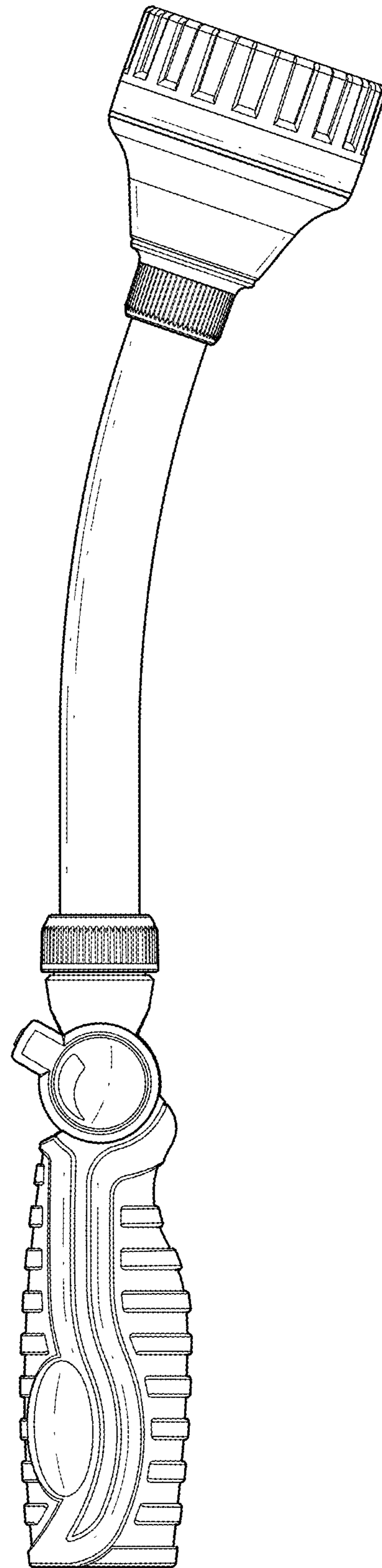


FIG. 3

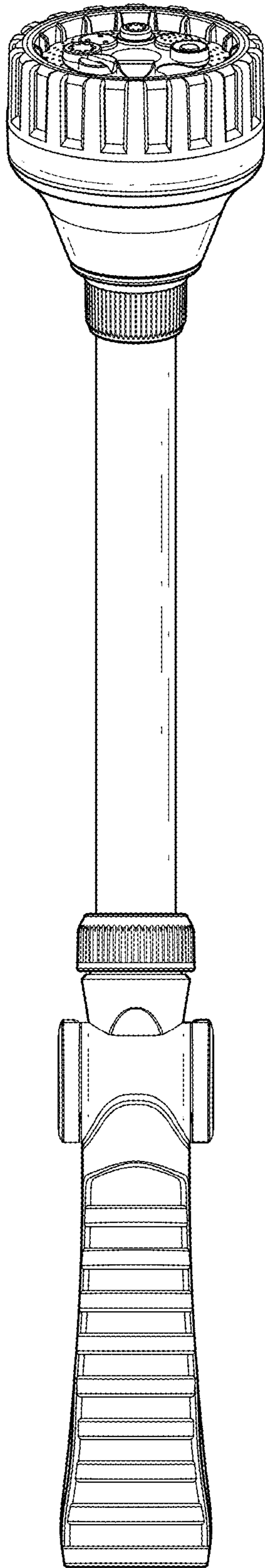


FIG. 4

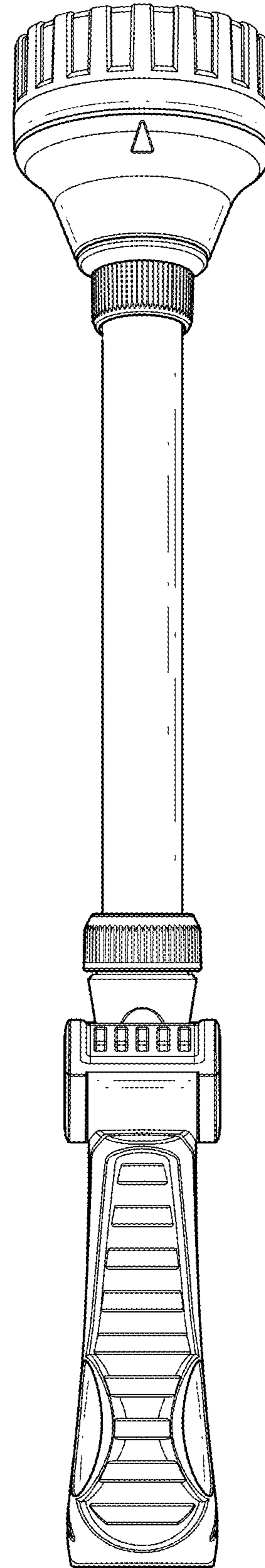


FIG. 5



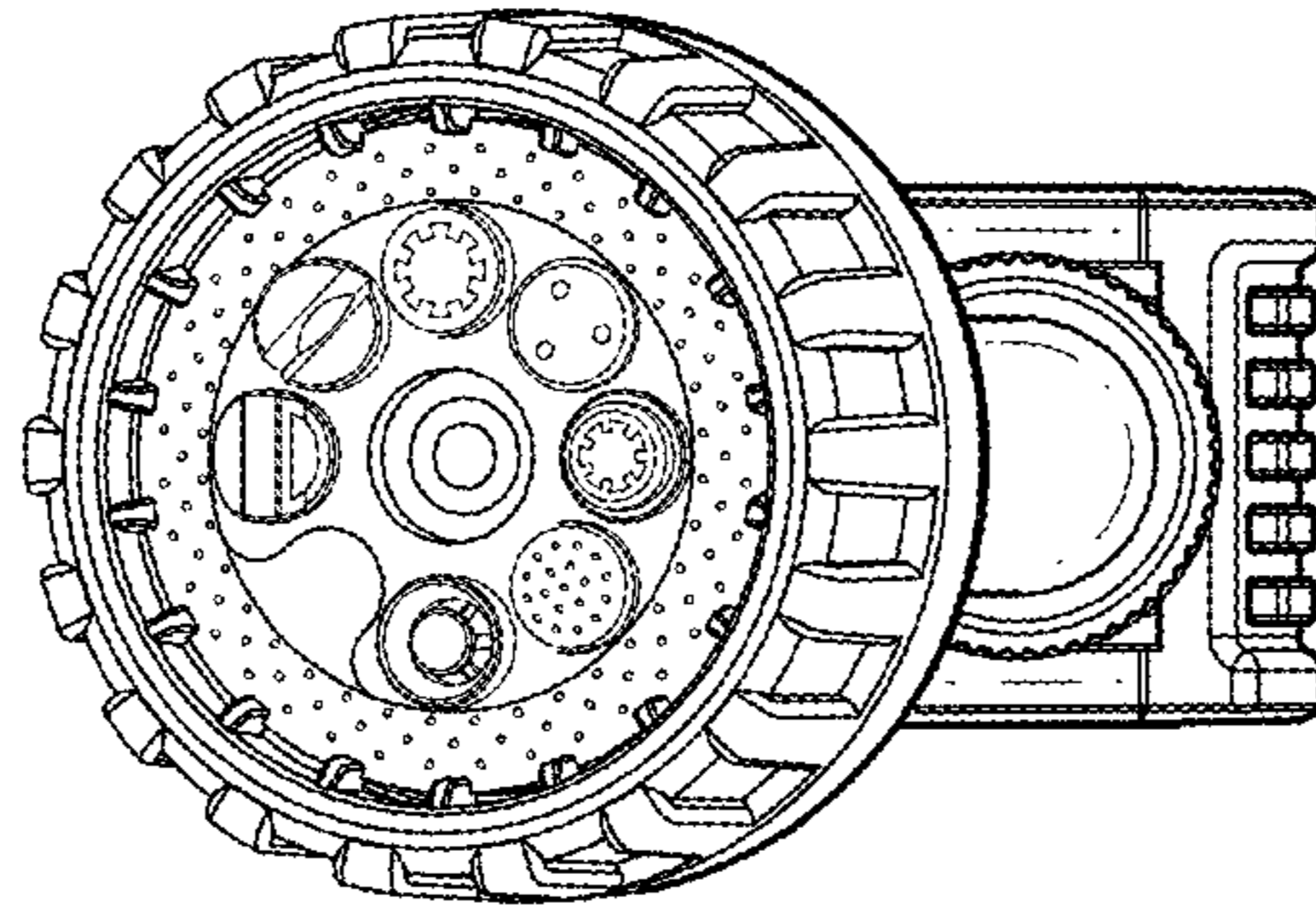


FIG. 6

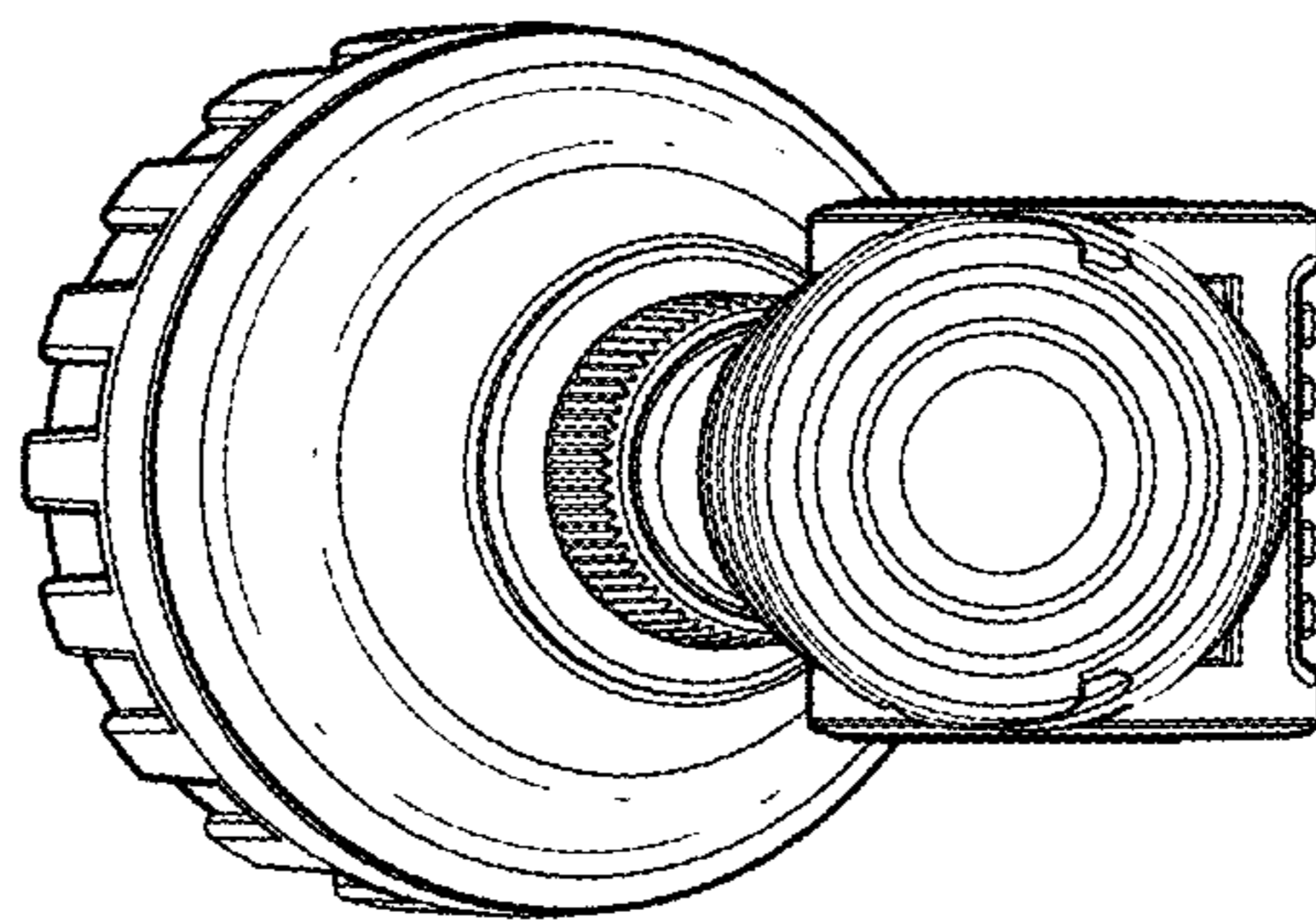


FIG. 7