



US00D768817S

(12) **United States Design Patent**  
**Chen**

(10) **Patent No.:** **US D768,817 S**  
(45) **Date of Patent:** **\*\* Oct. 11, 2016**

(54) **SPRAY HEAD**

(56) **References Cited**

(71) Applicant: **SHIN TAI SPURT WATER OF THE GARDEN TOOLS CO., LTD.**,  
Lu-Kang Town, Chang-Hua Hsien (TW)

U.S. PATENT DOCUMENTS

D369,206 S *	4/1996	Wang .....	D23/223
D522,088 S *	5/2006	Roman .....	D23/223
D677,362 S *	3/2013	Christopher .....	D23/223
8,814,066 B2 *	8/2014	Hung .....	B05B 1/18 239/525
D726,872 S *	4/2015	Thurgood .....	D23/223

(72) Inventor: **Chin-Yuan Chen**, Chang-Hua Hsien (TW)

\* cited by examiner

(73) Assignee: **SHIN TAI SPURT WATER OF THE GARDEN TOOLS CO., LTD.**,  
Chang-Hua Hsien (TW)

*Primary Examiner* — Robin V Webster

(\*\*) Term: **15 Years**

(57) **CLAIM**  
The ornamental design for a spray head, as shown and described.

(21) Appl. No.: **29/535,482**

**DESCRIPTION**

(22) Filed: **Aug. 6, 2015**

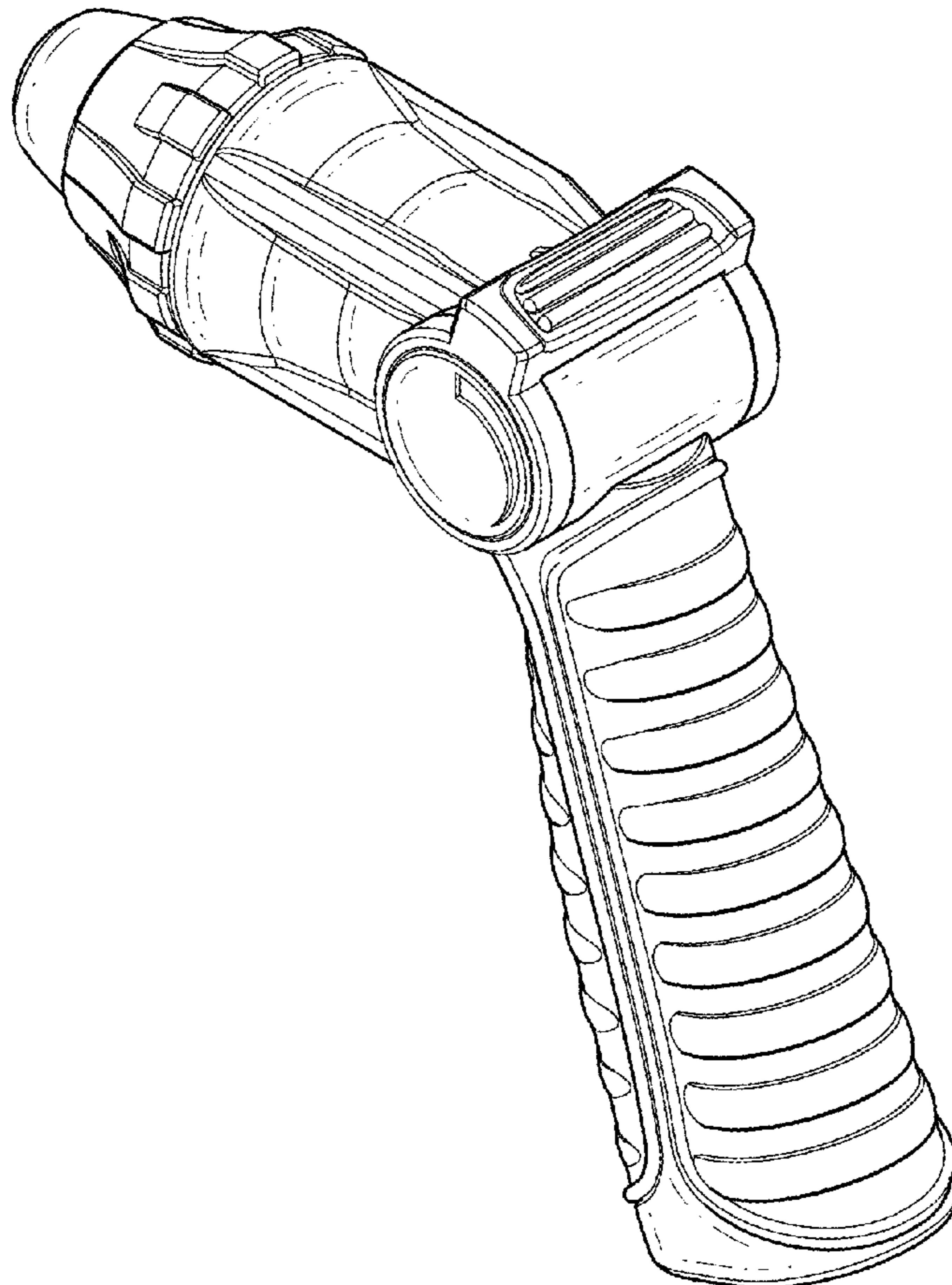
FIG. 1 is a perspective view of a spray head showing my new design;  
FIG. 2 is a front elevational view thereof;  
FIG. 3 is a rear elevational view thereof;  
FIG. 4 is a left side elevational view thereof;  
FIG. 5 is a right side elevational view thereof;  
FIG. 6 is a top plan view thereof; and,  
FIG. 7 is a bottom plan view thereof.

(51) **LOC (10) Cl.** ..... **23-01**

(52) **U.S. Cl.**  
USPC ..... **D23/223**

(58) **Field of Classification Search**  
USPC ..... D23/213, 223, 226; 239/526, 532  
CPC ..... B05B 9/01; B05B 15/061  
See application file for complete search history.

**1 Claim, 4 Drawing Sheets**



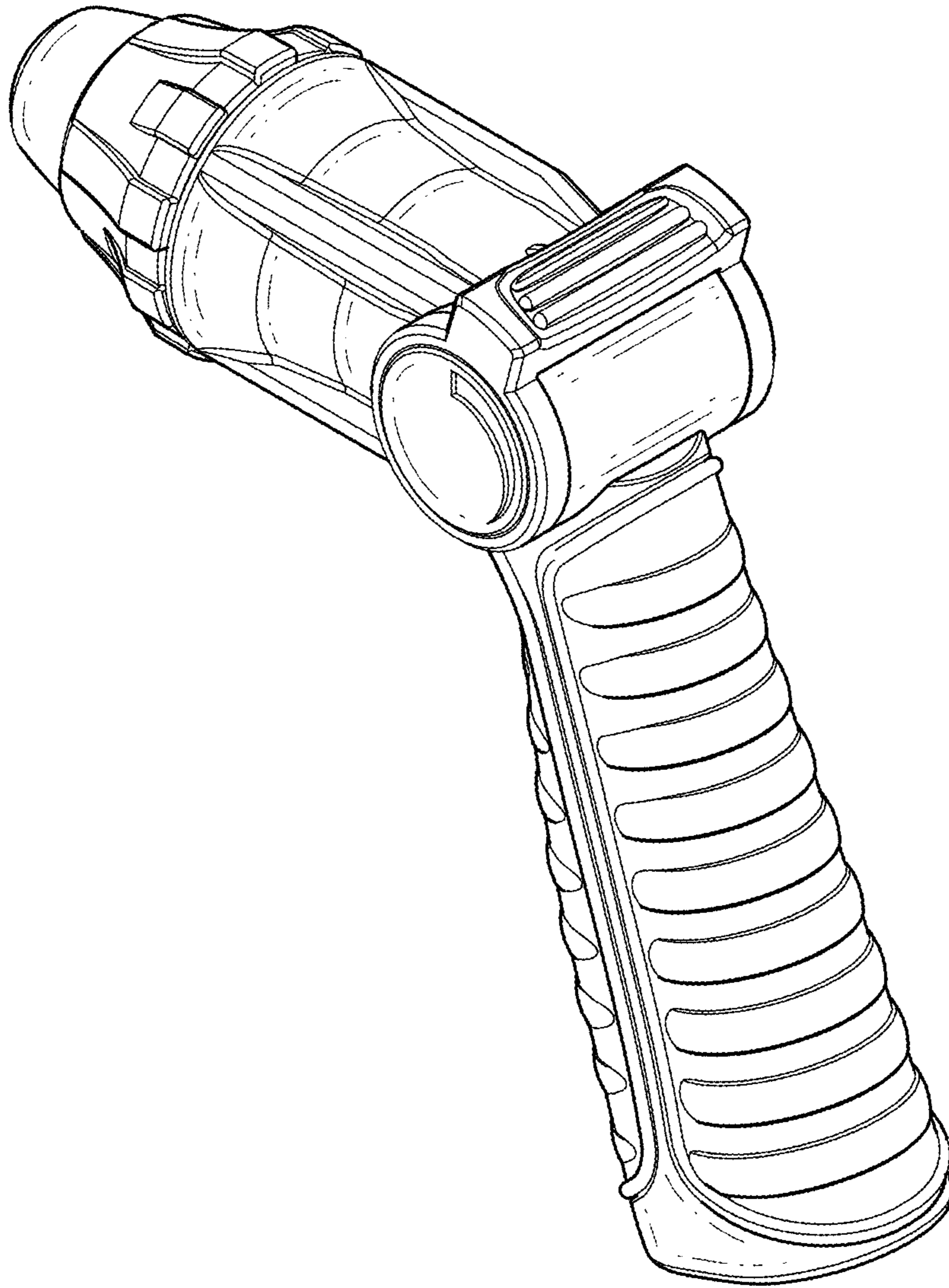


FIG. 1

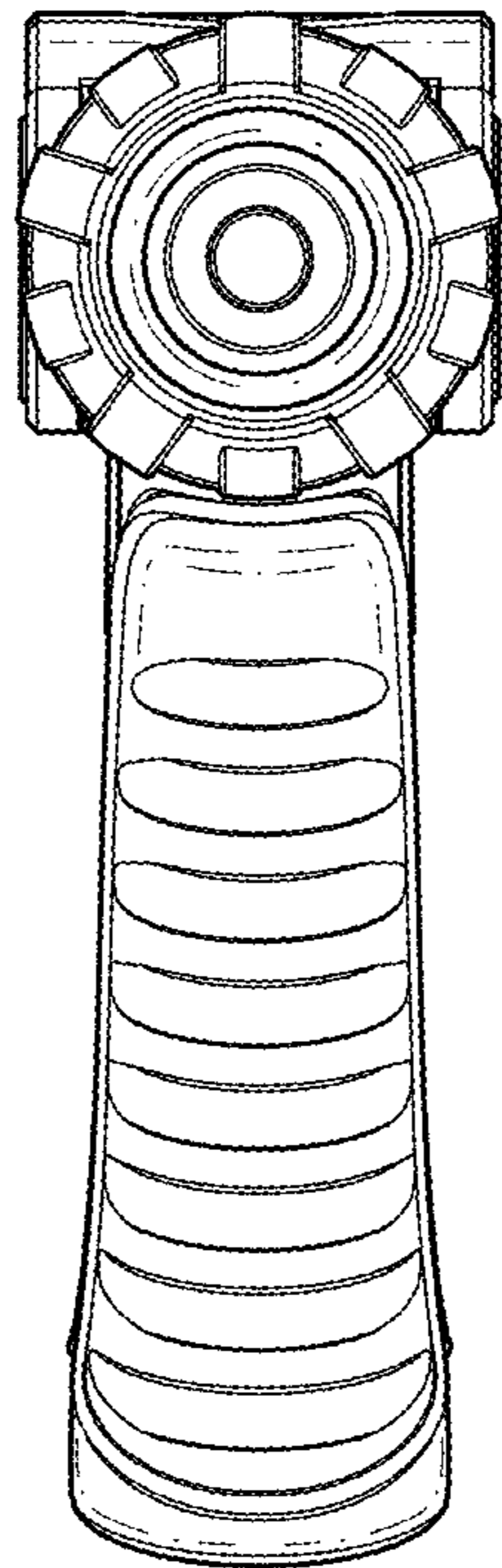


FIG. 2

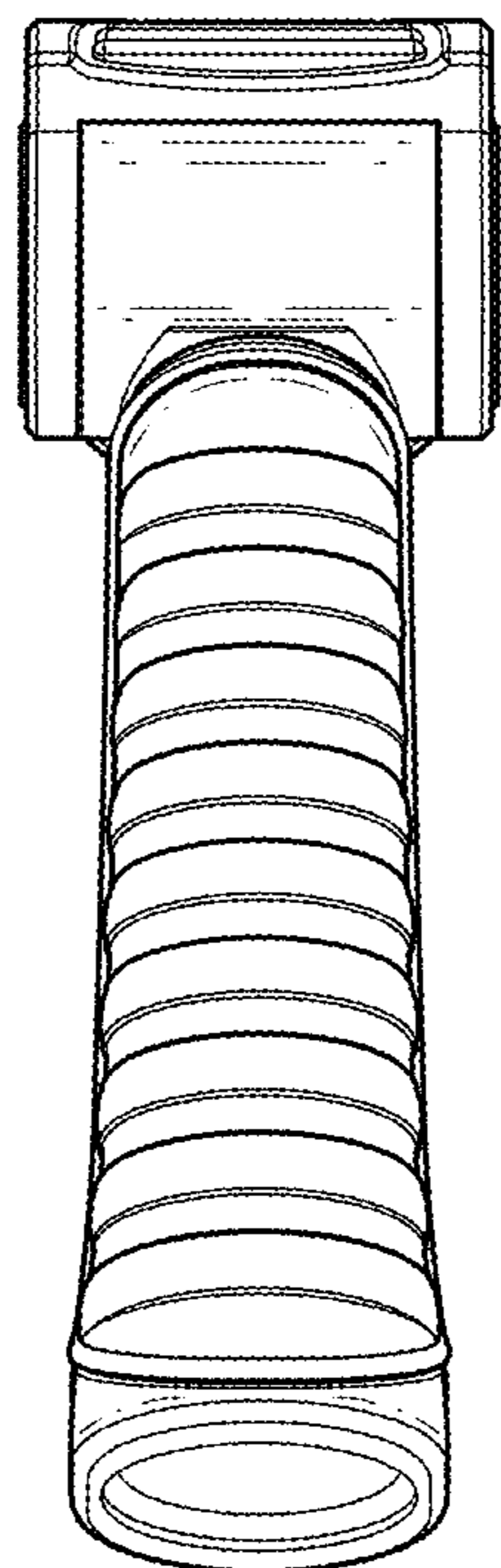


FIG. 3

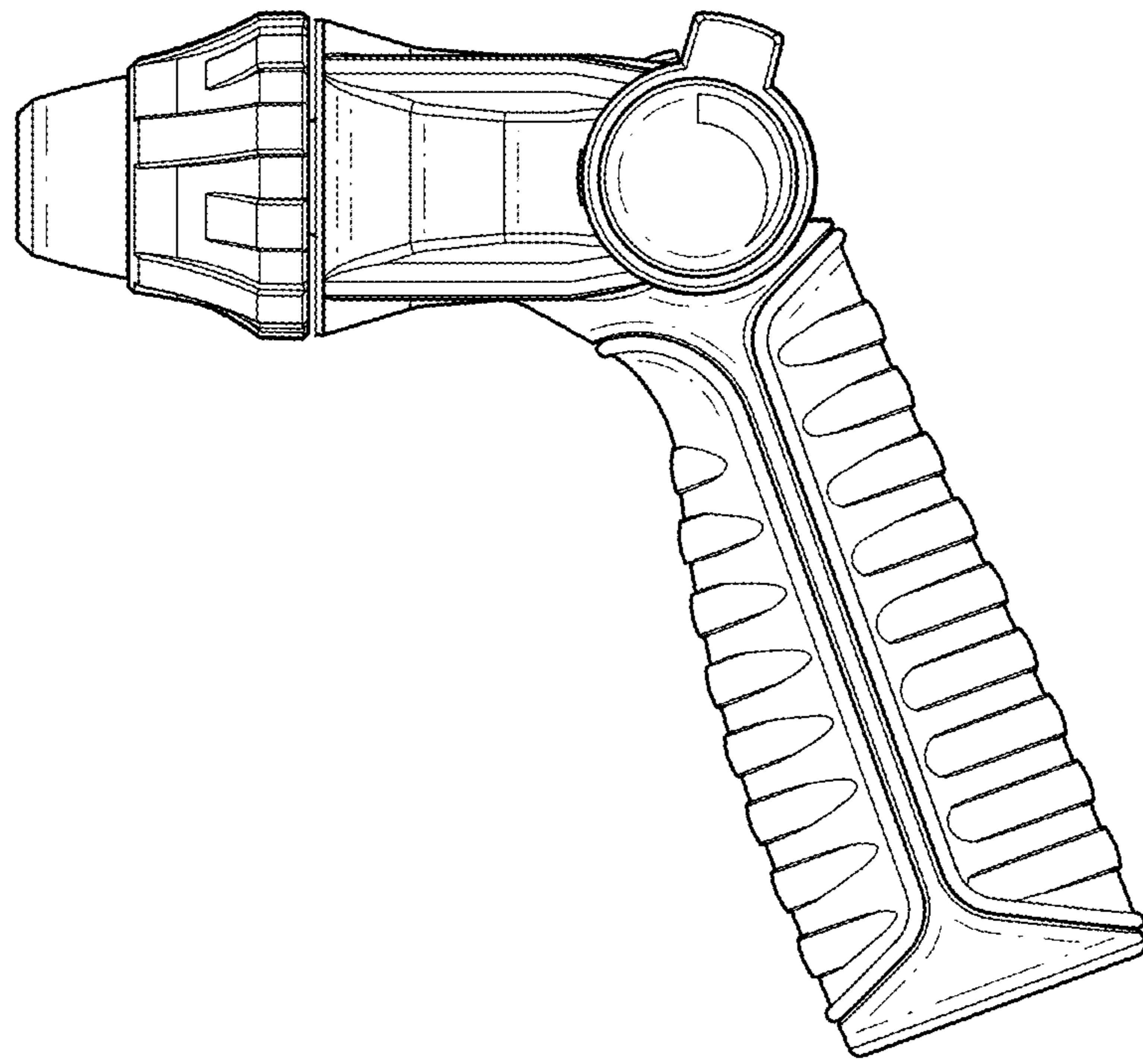


FIG. 4

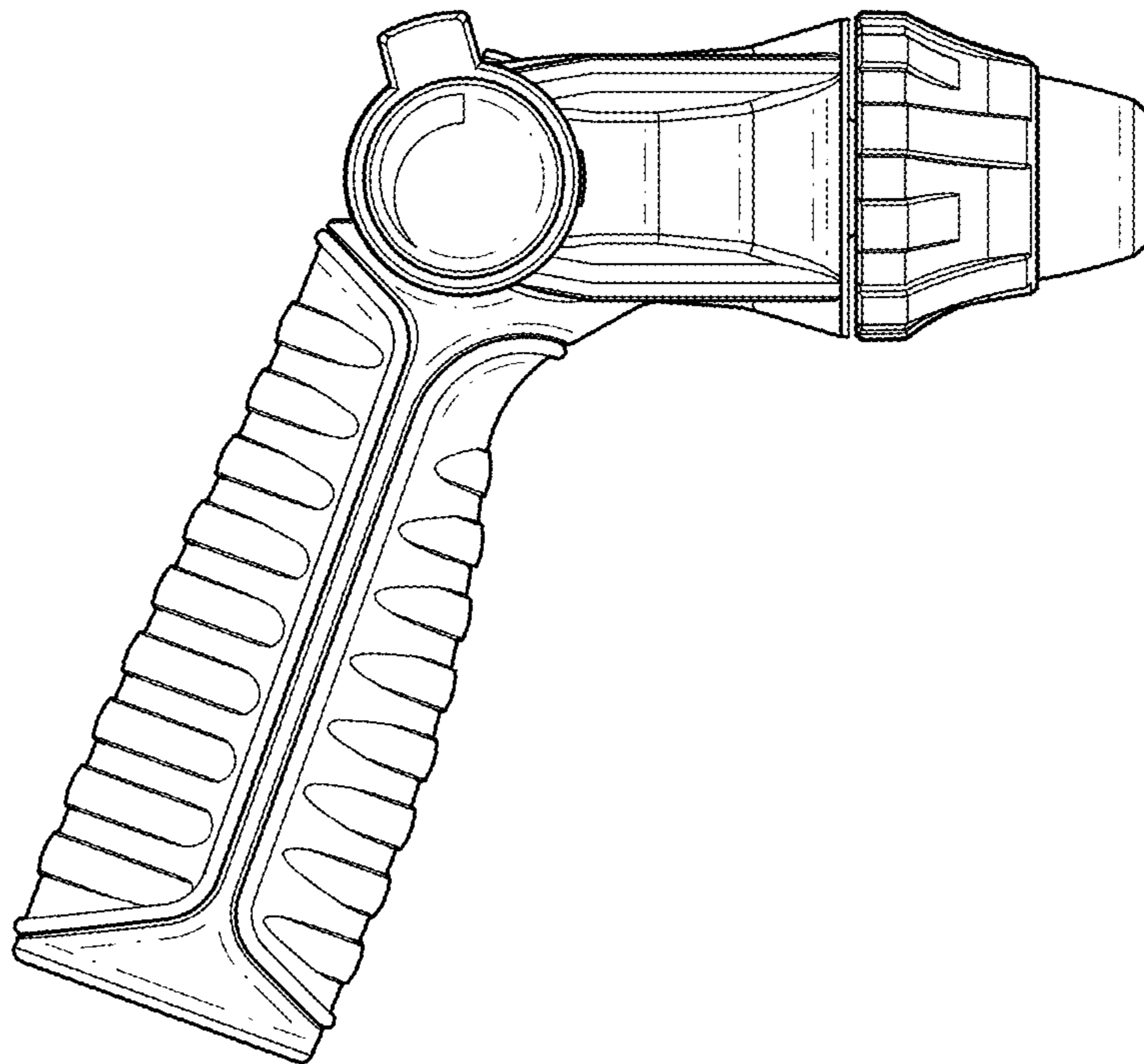


FIG. 5

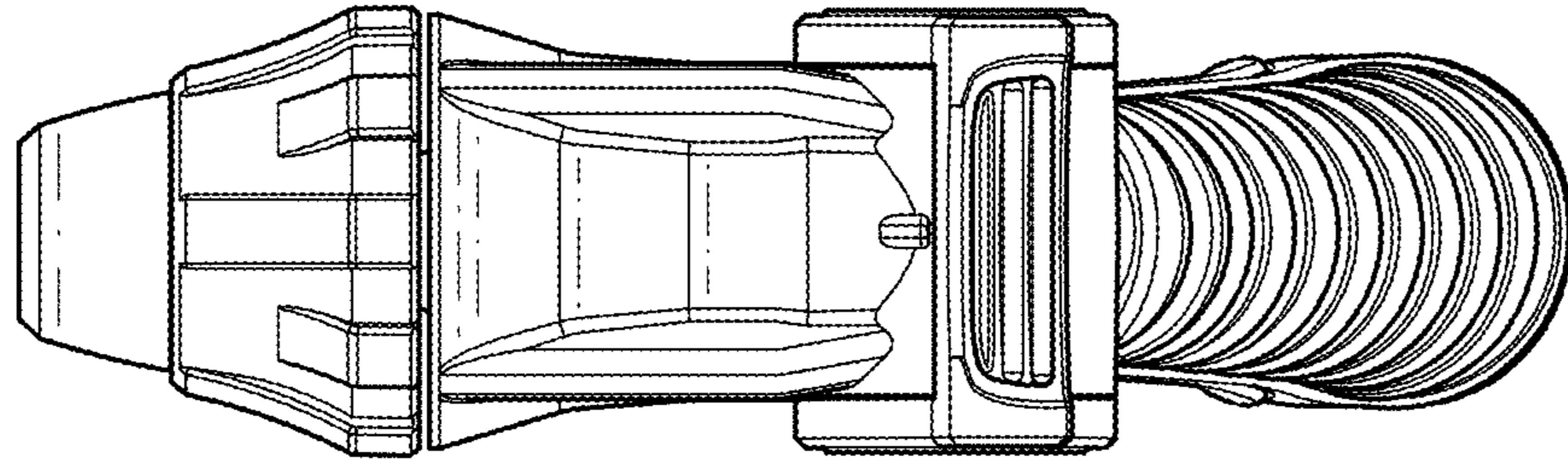


FIG. 6

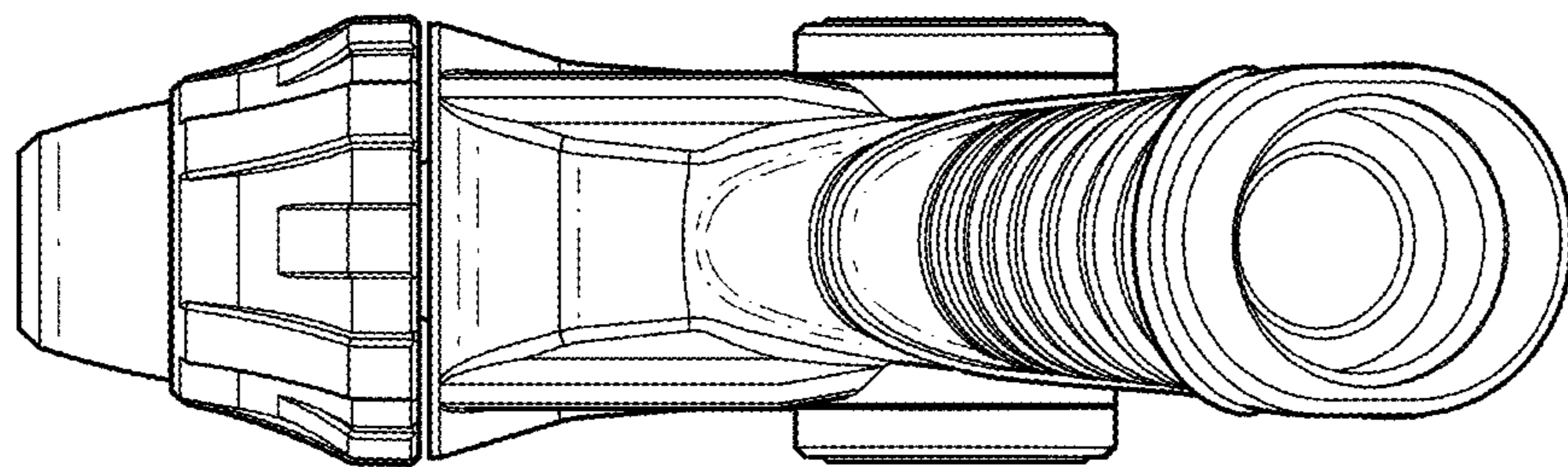


FIG. 7