

US00D768815S

(12) **United States Design Patent**
Chen

(10) **Patent No.:** **US D768,815 S**

(45) **Date of Patent:** **** Oct. 11, 2016**

(54) **SPRINKLER HEAD COVER**

(71) Applicant: **PROTECTOR SAFETY IND., LTD.**,
Taoyuan County (TW)

(72) Inventor: **Jung-Wen Chen**, Taoyuan County
(TW)

(73) Assignee: **PROTECTOR SAFETY IND., LTD.**,
Taoyuan County (TW)

(**) Term: **15 Years**

(21) Appl. No.: **29/532,291**

(22) Filed: **Jul. 4, 2015**

(51) **LOC (10) Cl.** **23-01**

(52) **U.S. Cl.**
USPC **D23/214**

(58) **Field of Classification Search**
USPC D23/213, 214; 239/288, 288.5; 169/37,
169/41, 52, 24, 58, 5, 57
CPC B05B 15/001; A62C 31/02; A62C 37/10;
E03C 1/06
See application file for complete search history.

(56) **References Cited**

U.S. PATENT DOCUMENTS

D253,364 S *	11/1979	McFadden	239/222.21
4,215,751 A *	8/1980	Mears	A62C 37/10 169/37
4,926,946 A *	5/1990	Polan	A62C 37/09 169/37
5,097,906 A *	3/1992	Polan	A62C 37/08 169/37
D348,719 S *	7/1994	Dolan	D23/214
5,447,338 A *	9/1995	Kikuchi	F16L 5/02 137/359

D395,484 S *	6/1998	Jepsen	D23/213
6,129,153 A *	10/2000	Joung	A62C 37/14 169/37
6,484,809 B1 *	11/2002	Elder	A62C 31/28 169/37
6,805,203 B2 *	10/2004	Retzloff	A62C 37/09 169/37
D516,669 S *	3/2006	Antonucci	D23/214
D552,712 S *	10/2007	Franson	D23/213
D567,329 S *	4/2008	Holmes	D23/214
D598,068 S *	8/2009	Koiwa	D23/213
D663,009 S *	7/2012	Koiwa	D23/214
D748,224 S *	1/2016	Holmes	D23/214

* cited by examiner

Primary Examiner — Robin V Webster

(74) *Attorney, Agent, or Firm* — Chun-Ming Shih

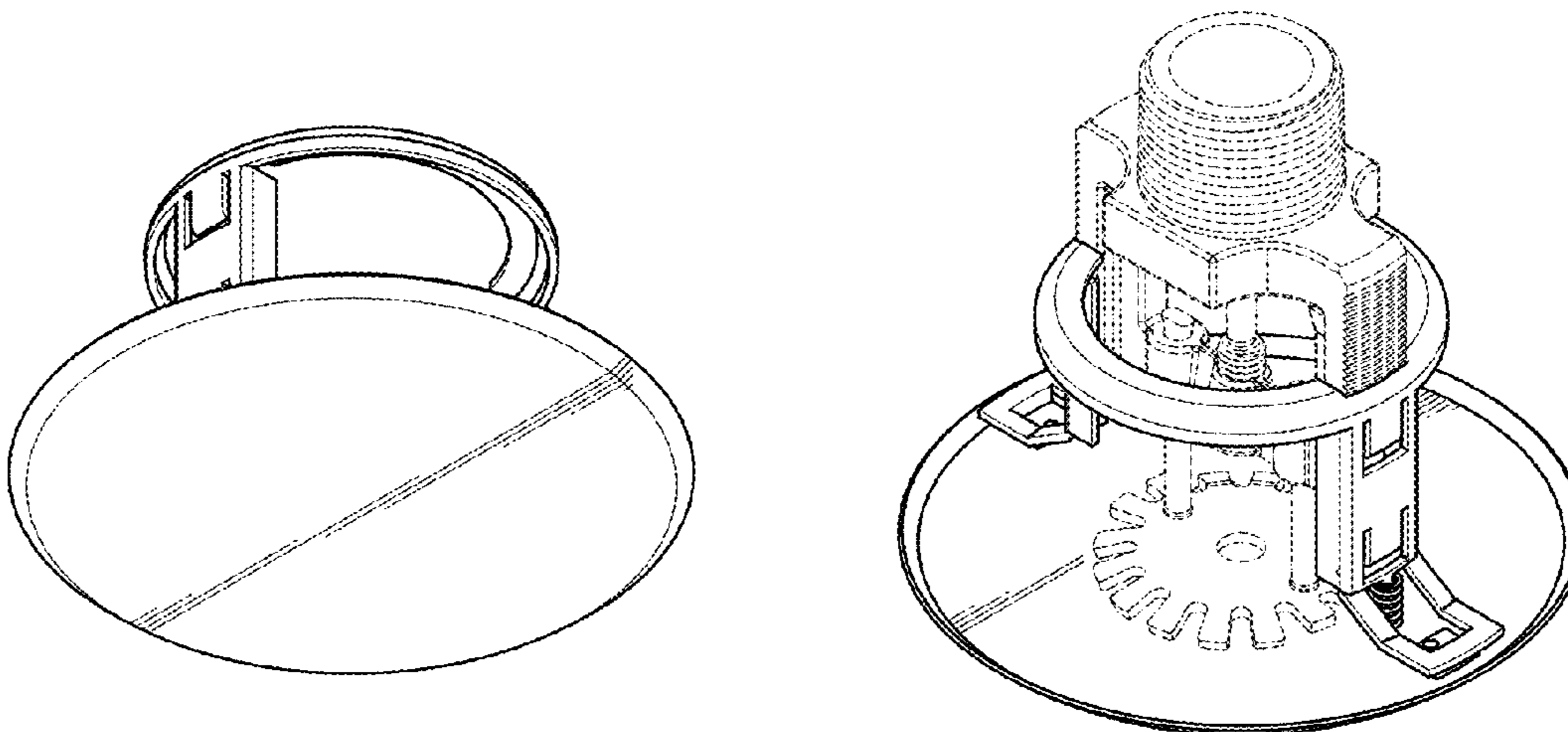
(57) **CLAIM**

The ornamental design for a sprinkler head cover, as shown and described.

DESCRIPTION

FIG. 1 is a perspective view of a sprinkler head cover showing the new design;
 FIG. 2 is a front view thereof;
 FIG. 3 is a rear view thereof;
 FIG. 4 is a left side elevational view thereof;
 FIG. 5 is a right side elevational view thereof;
 FIG. 6 is a top view thereof;
 FIG. 7 is a bottom view thereof.
 FIG. 8 is another perspective view showing the sprinkler head cover; and,
 FIG. 9 shows a sprinkler head with the sprinkler head cover. The broken lines in the drawing depict environmental subject matter only and form no part of the claimed design.

1 Claim, 5 Drawing Sheets



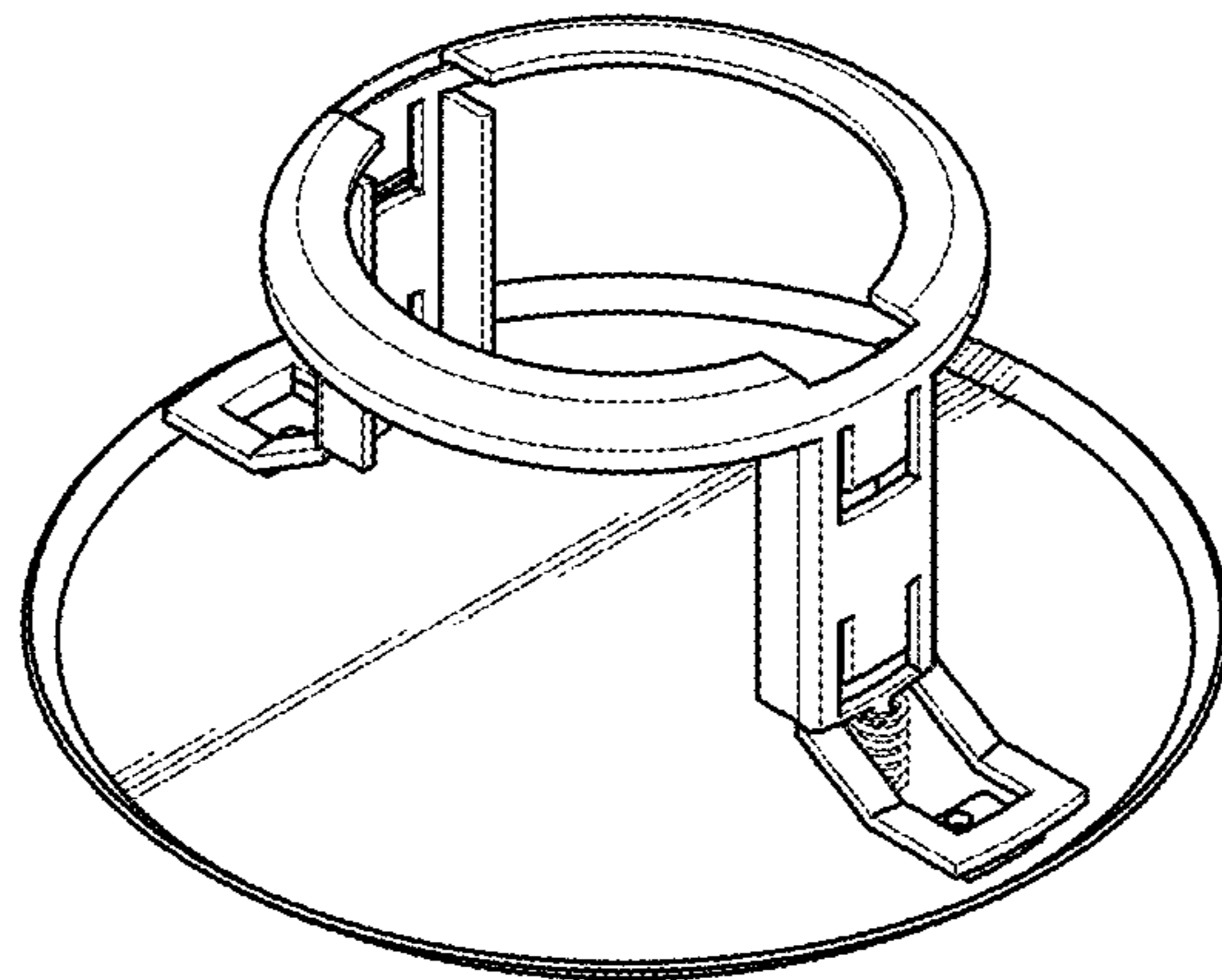


Fig. 1

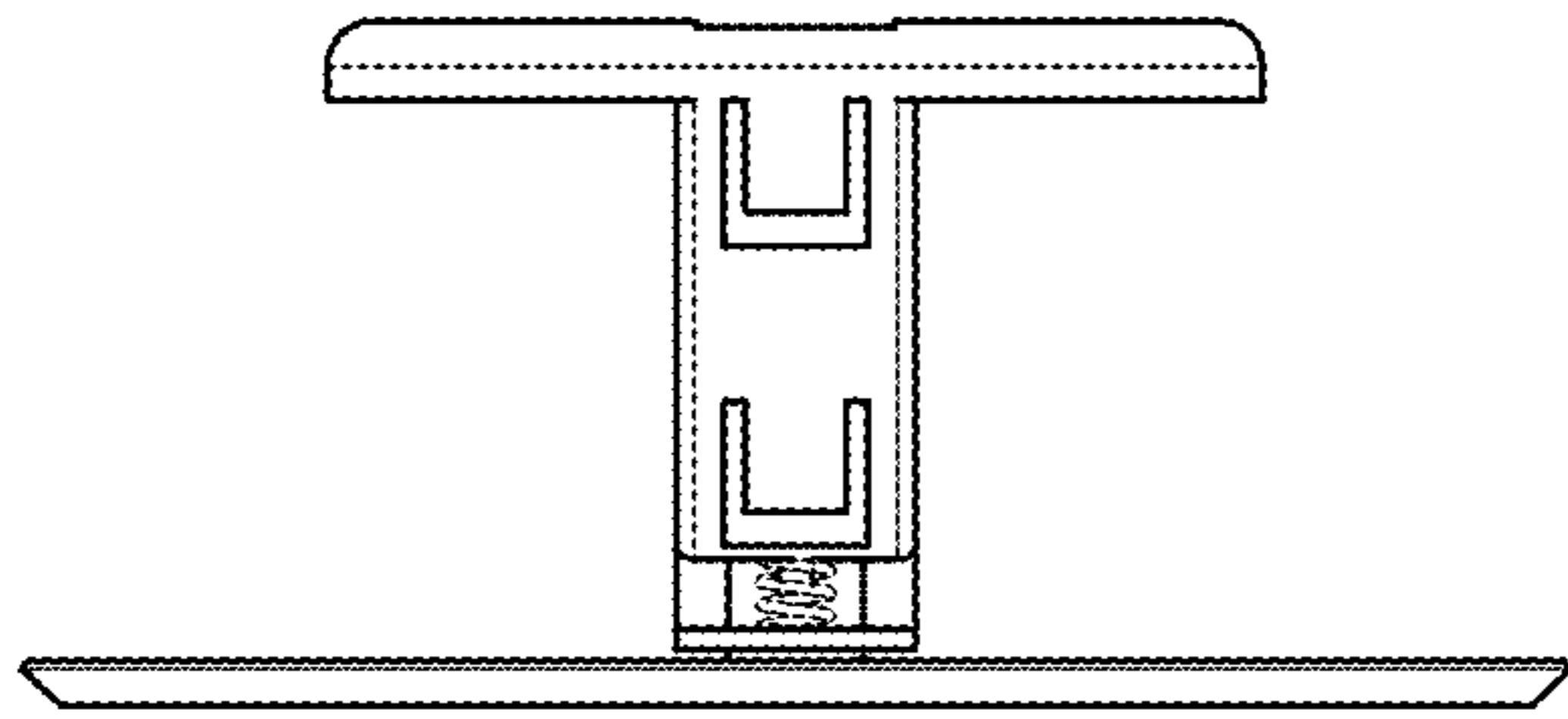


Fig. 2

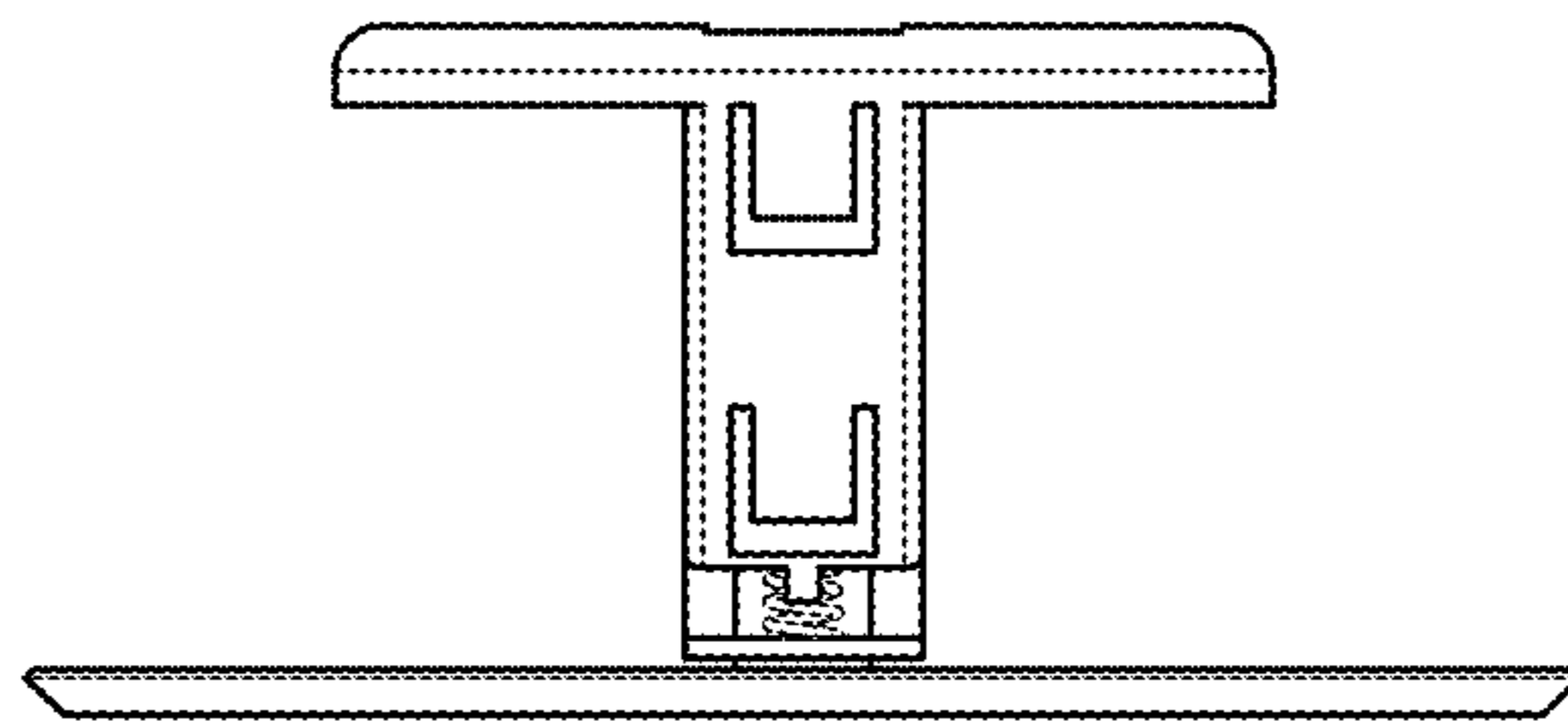


Fig. 3

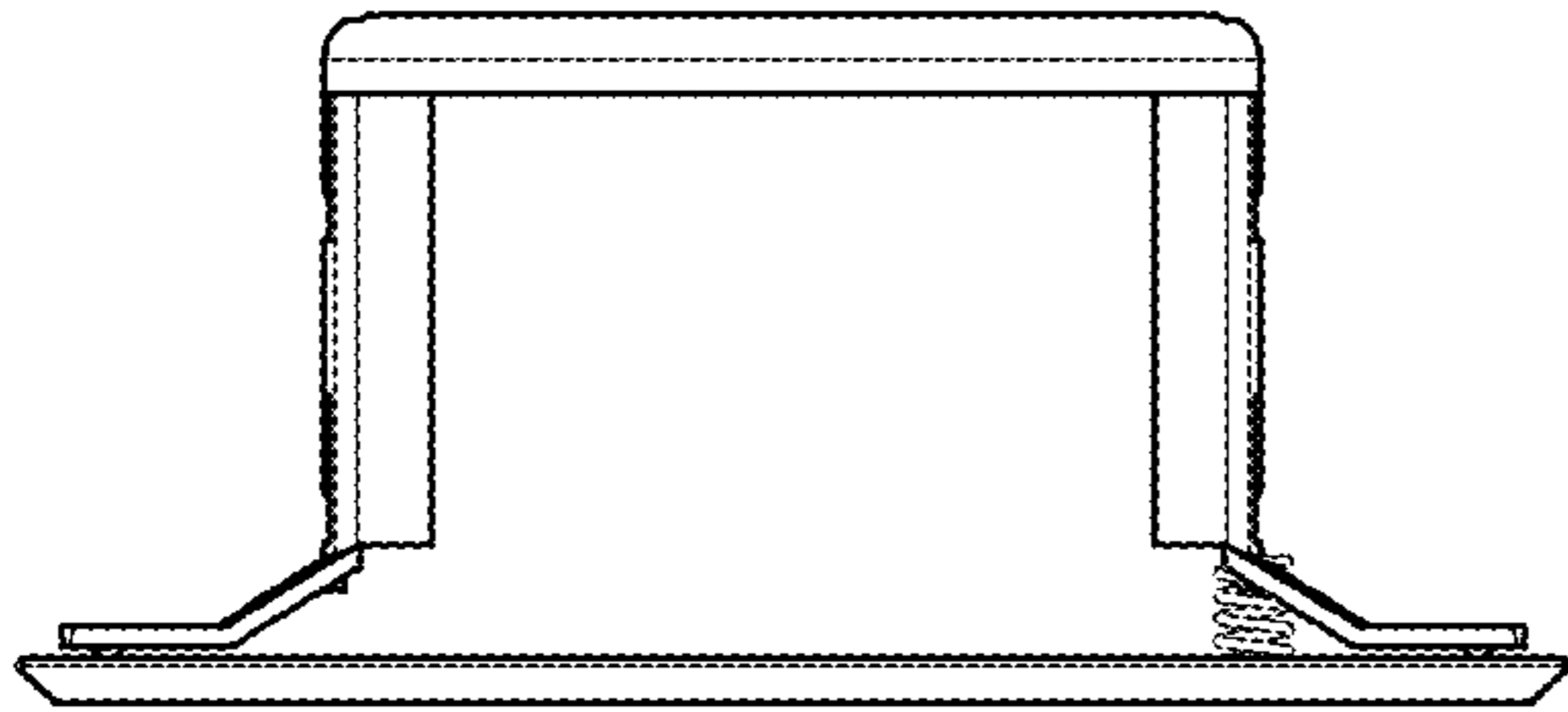


Fig. 4

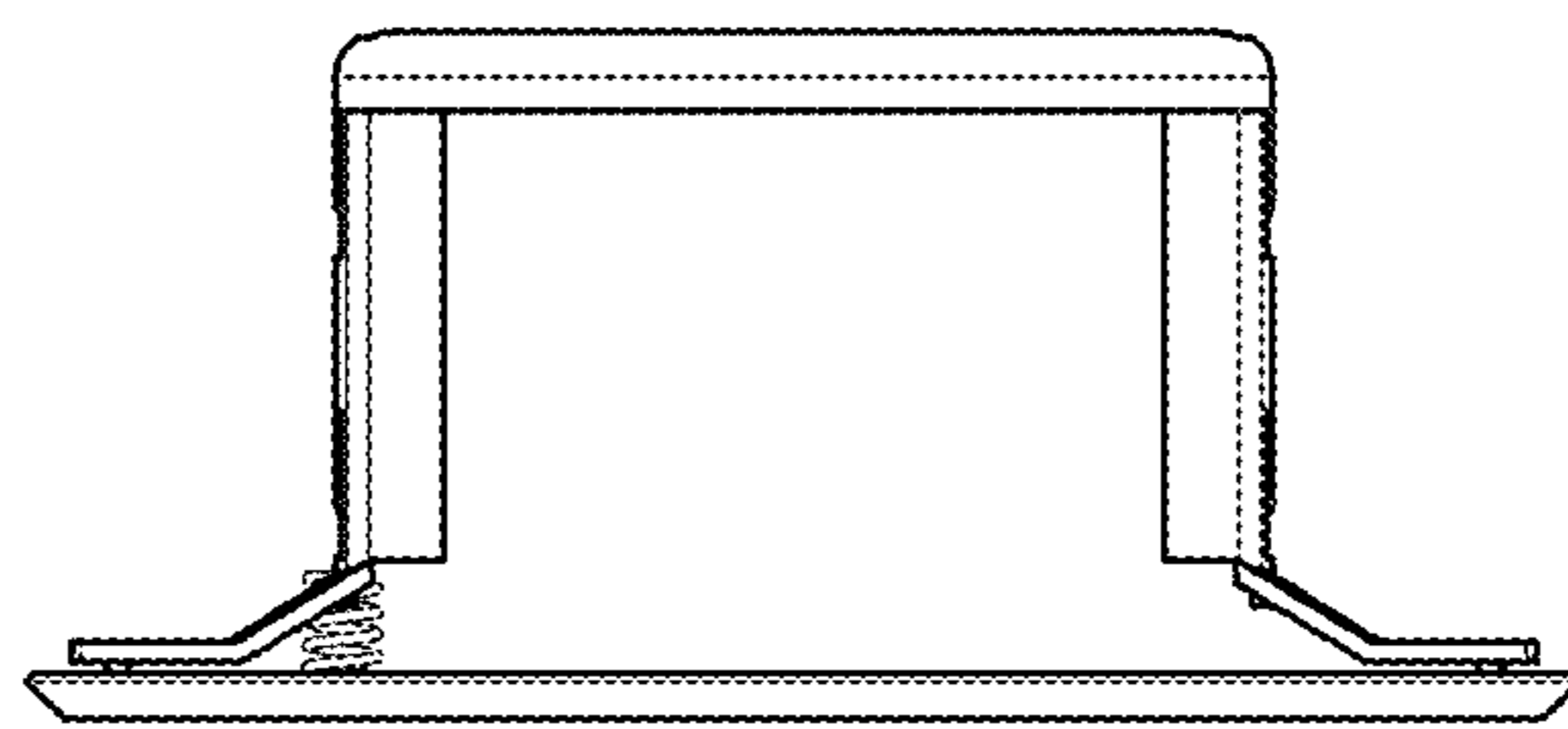


Fig. 5

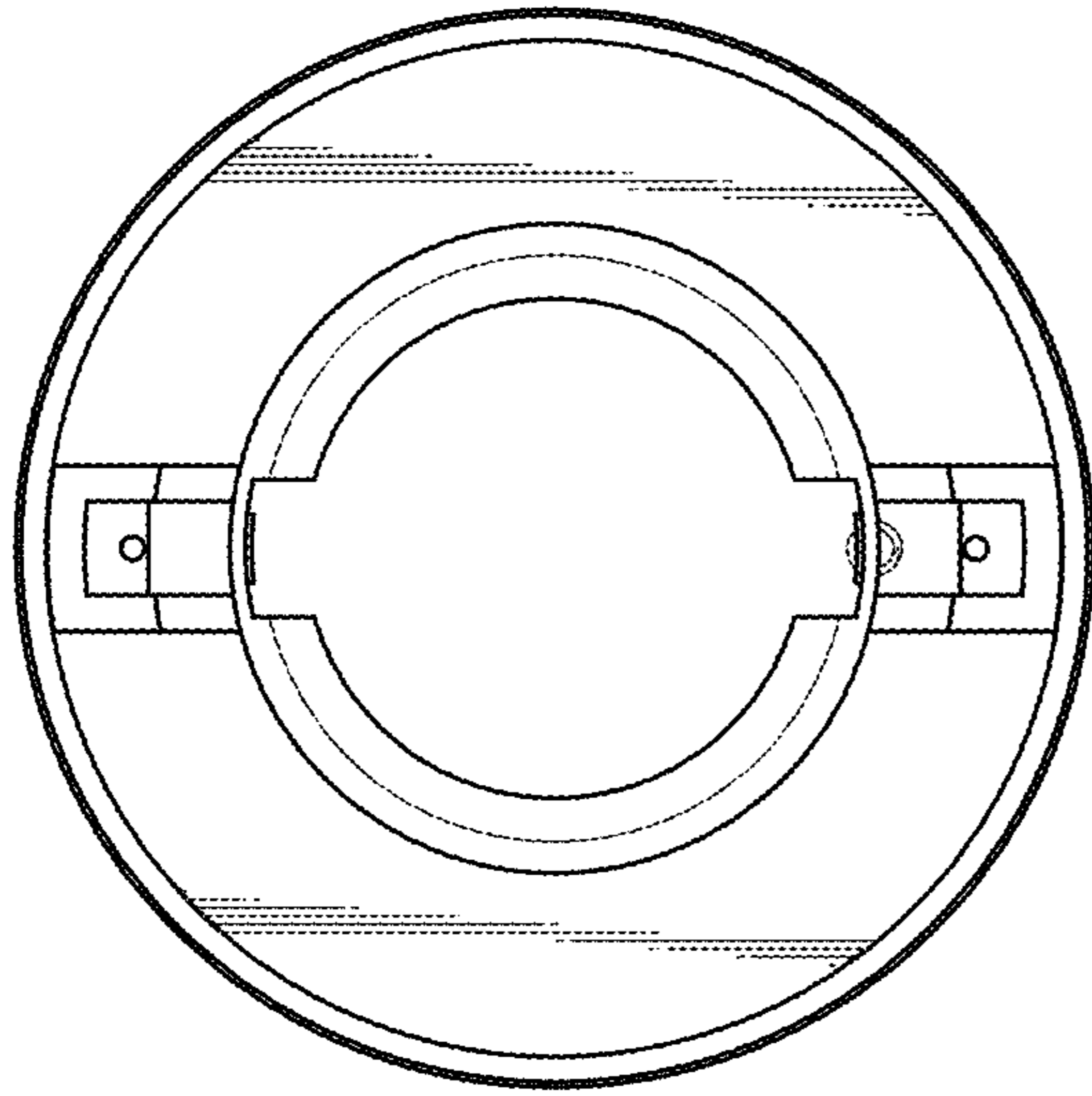


Fig. 6

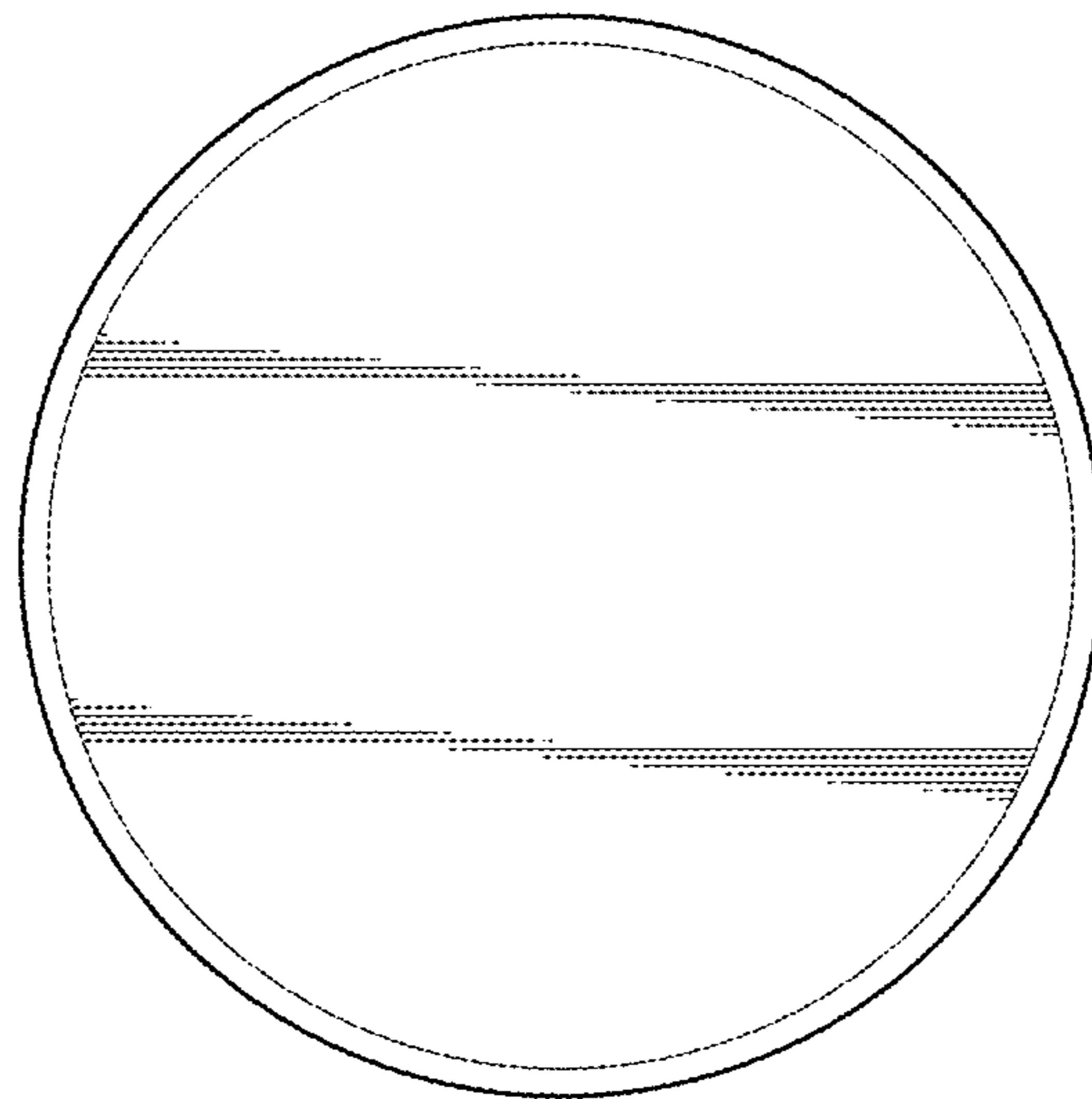


Fig. 7

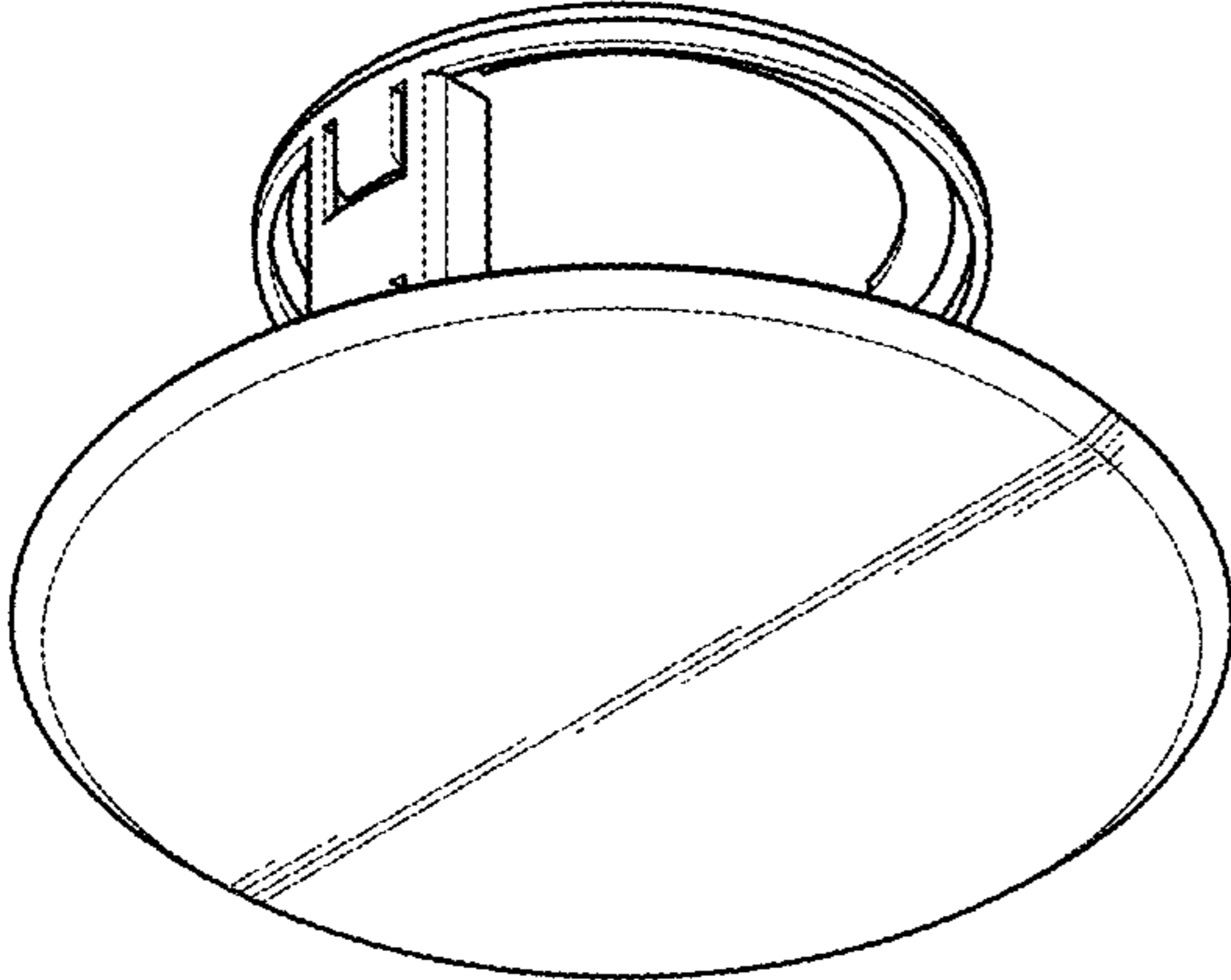


Fig. 8

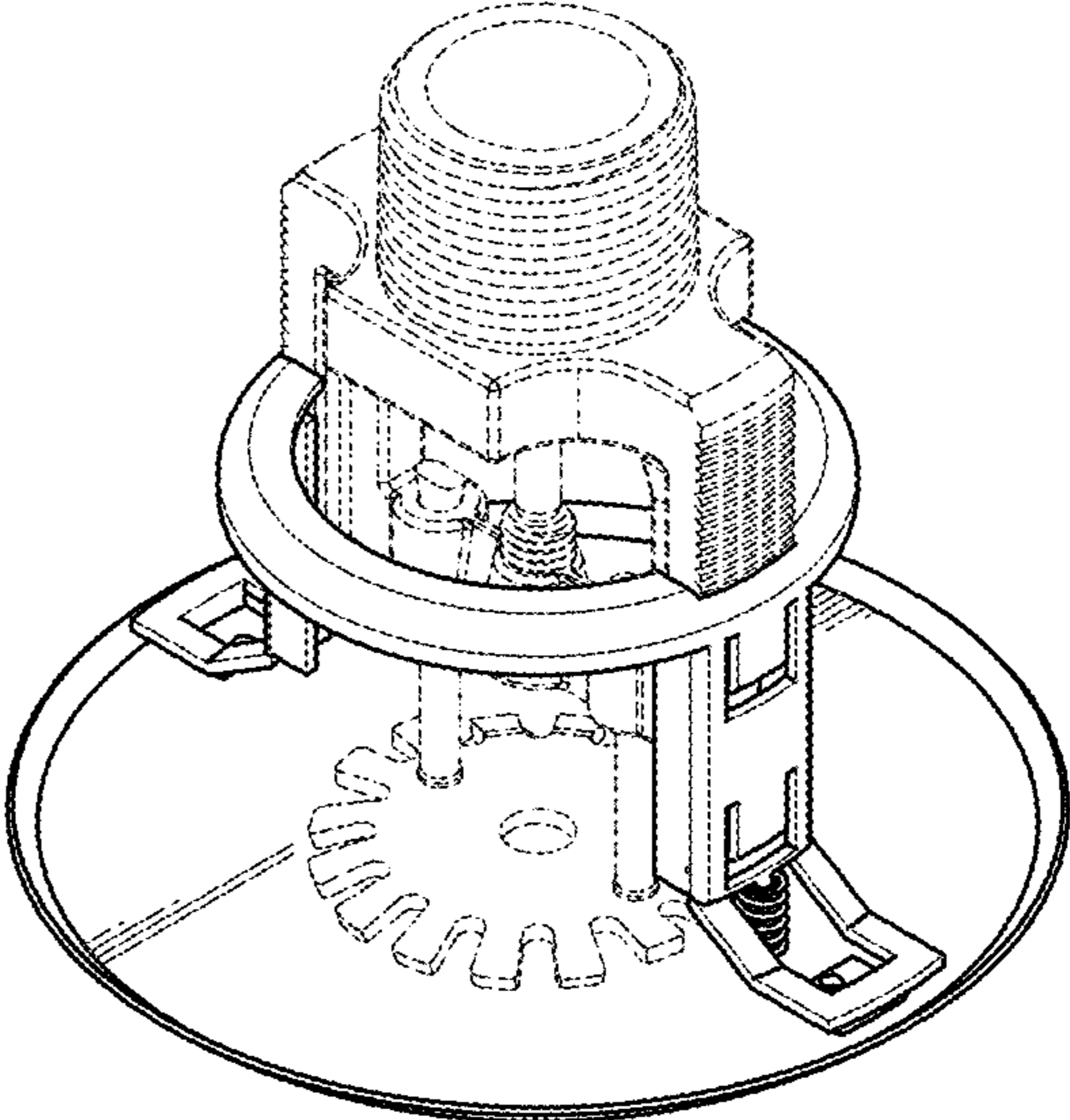


Fig. 9