



US00D768812S

(12) **United States Design Patent**  
**Kruse**

(10) **Patent No.:** **US D768,812 S**  
(45) **Date of Patent:** **\*\* Oct. 11, 2016**

(54) **FILTER SYSTEM WITH TIMESTRIP**

FOREIGN PATENT DOCUMENTS

- (71) Applicant: **SATA GmbH & Co. KG**,  
Kornwestheim (DE)
- (72) Inventor: **Albrecht Kruse**, Stuttgart (DE)
- (73) Assignee: **SATA GmbH & Co. KG**,  
Kornwestheim (DE)

EP	1405145	4/2004
WO	03/007088	1/2003

*Primary Examiner* — Robin V Webster  
 (74) *Attorney, Agent, or Firm* — Paul D. Bianco; Fleit  
 Gibbons Gutman Bongini & Bianco PL

(\*\*) Term: **14 Years**

(57) **CLAIM**

The ornamental design for a filter with a timestrip, as shown and described.

(21) Appl. No.: **29/515,496**

(22) Filed: **Jan. 23, 2015**

**DESCRIPTION**

(30) **Foreign Application Priority Data**

Jul. 25, 2014 (CN) ..... 2014 3 02563327

(51) **LOC (10) Cl.** ..... **23-01**

(52) **U.S. Cl.**  
USPC ..... **D23/209**

(58) **Field of Classification Search**  
USPC ..... D23/207, 209; 210/340, 341, 234  
CPC ..... B01D 35/12  
See application file for complete search history.

FIG. 1 is a perspective view of a first embodiment of a filter system with a timestrip according to the present invention; FIG. 2 is a first side view of the filter system of FIG. 1; FIG. 3 is a second side view of the filter system of FIG. 1; FIG. 4 is a front view of the filter system of FIG. 1; FIG. 5 is a back view of the filter system of FIG. 1; FIG. 6 is a top view of the filter system of FIG. 1; FIG. 7 is a bottom view of the filter system of FIG. 1; FIG. 8 is a perspective view of a second embodiment of a filter system with a timestrip according to the present invention; FIG. 9 is a first side view of the filter system of FIG. 8; FIG. 10 is a second side view of the filter system of FIG. 8; FIG. 11 is a front view of the filter system of FIG. 8; FIG. 12 is a back view of the filter system of FIG. 8; FIG. 13 is a top view of the filter system of FIG. 8; and, FIG. 14 is a bottom view of the filter system of FIG. 8. The broken line showing is included for the purpose of illustrating and forms no part of the claimed design.

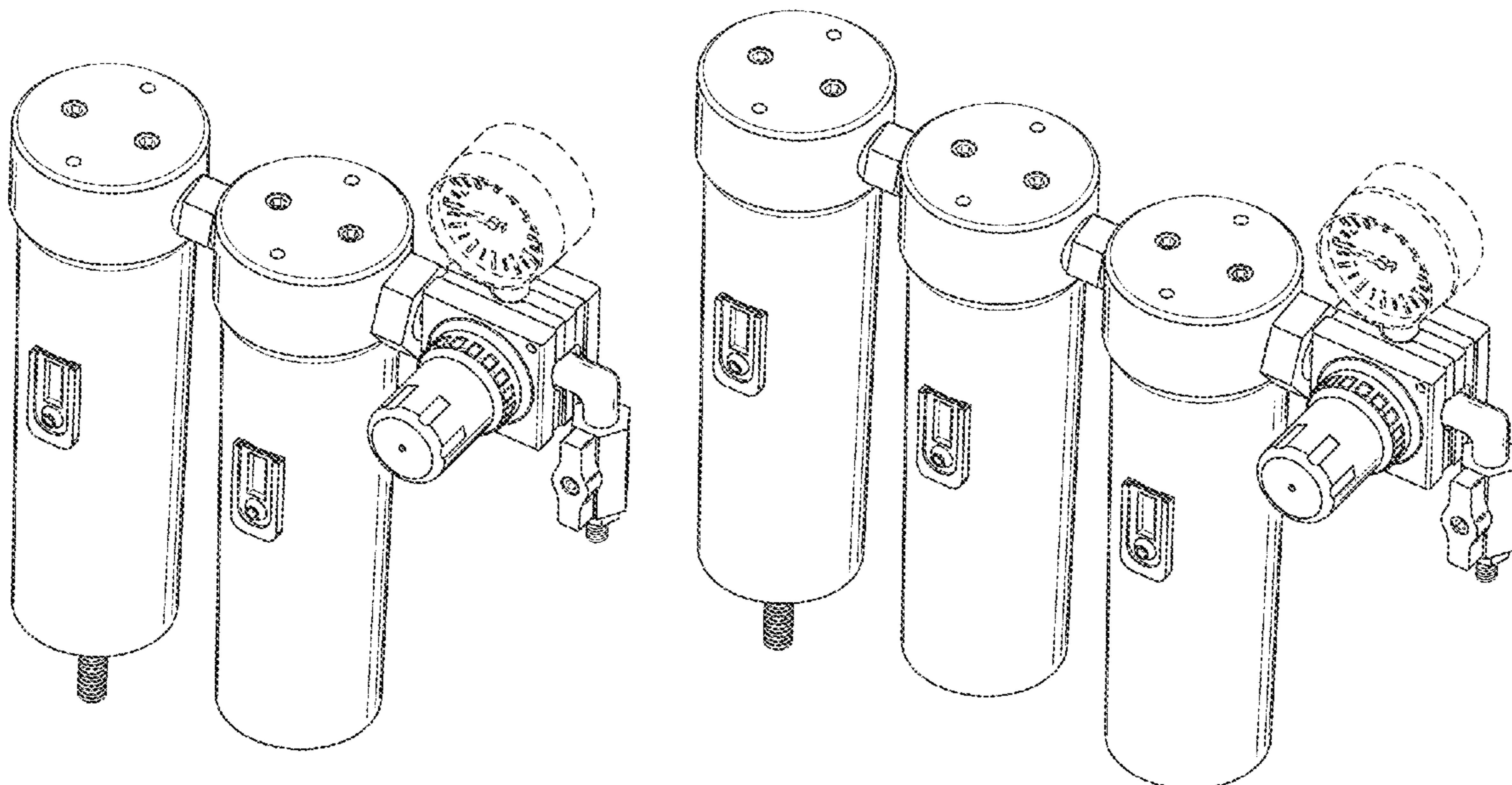
(56) **References Cited**

U.S. PATENT DOCUMENTS

- |               |         |           |       |                        |
|---------------|---------|-----------|-------|------------------------|
| 3,598,243 A * | 8/1971  | Gutkowski | ..... | B01D 35/303<br>210/340 |
| 4,192,750 A * | 3/1980  | Elfes     | ..... | B01D 29/15<br>210/133  |
| 4,615,800 A * | 10/1986 | Stifelman | ..... | B01D 35/14<br>210/132  |
| D306,754 S *  | 3/1990  | Petrucci  | ..... | D23/209                |

(Continued)

**1 Claim, 8 Drawing Sheets**



# US D768,812 S

Page 2

(56)

## References Cited

### U.S. PATENT DOCUMENTS

5,876,610	A *	3/1999	Clack	.....	B01D 35/143				
						210/282			
D454,615	S *	3/2002	Neal	.....	D23/209				
7,232,253	B2	6/2007	Isbitsky et al.						
D547,826	S *	7/2007	Kennedy	.....	D23/209				
D547,827	S *	7/2007	Kennedy	.....	D23/209				
D621,001	S *	8/2010	Maziel	.....	D23/209				
7,909,999	B2 *	3/2011	Noh	.....	B01D 35/153				
						210/234			
8,365,924	B2 *	2/2013	Sokolchik	.....	B01D 35/301				
						210/252			
8,524,079	B1 *	9/2013	Tseng	.....	B01D 35/303				
						210/232			
2004/0240324	A1	12/2004	Isbitsky et al.						
2016/0023152	A1	1/2016	Kruse						

\* cited by examiner

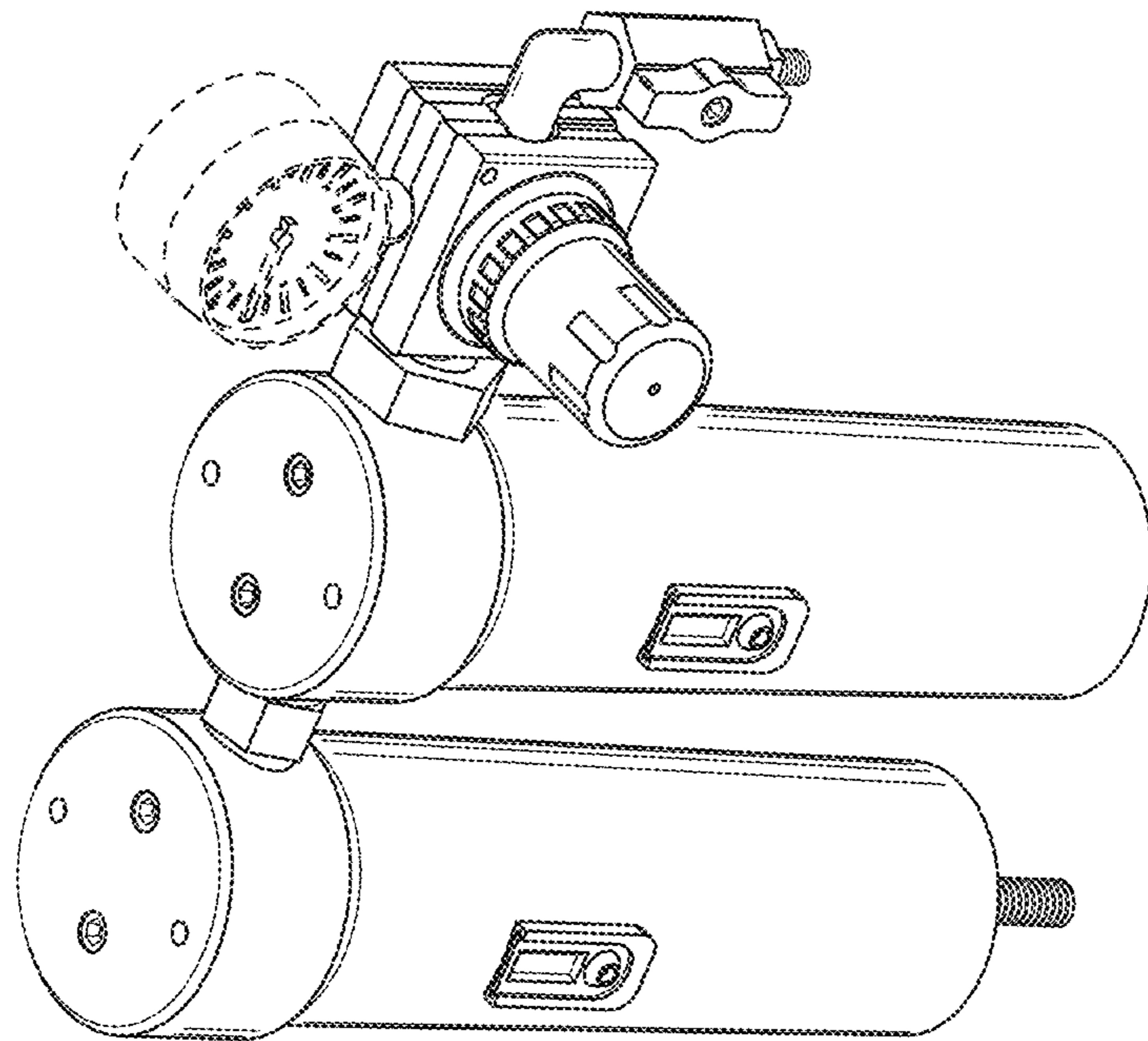


FIG. 1

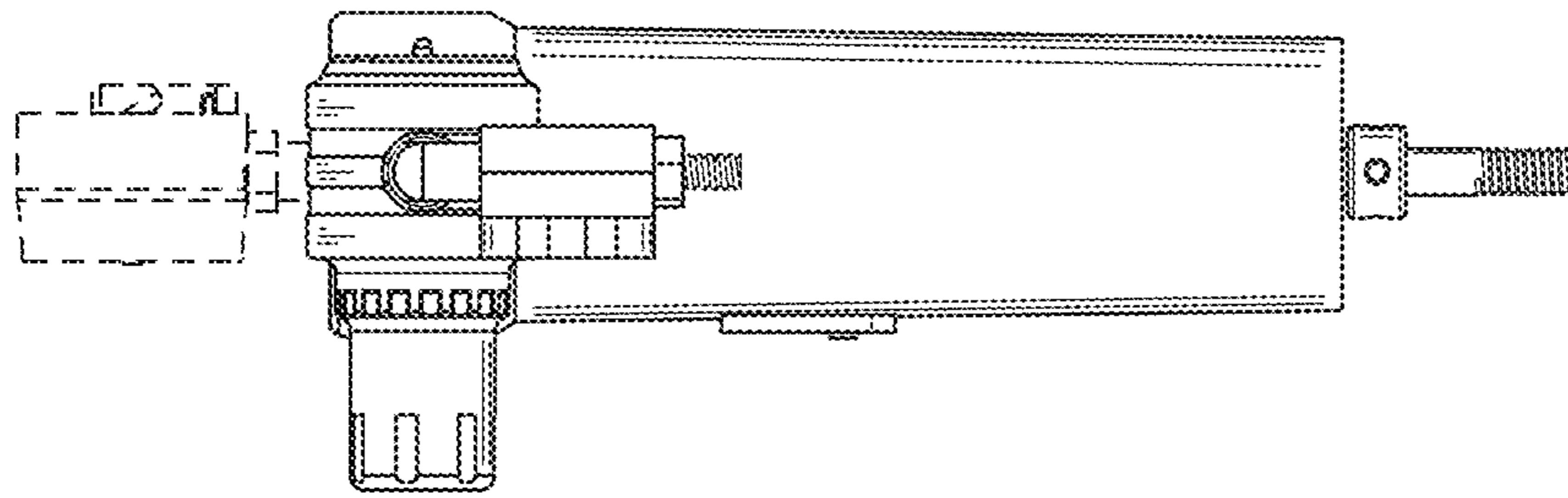


FIG. 3

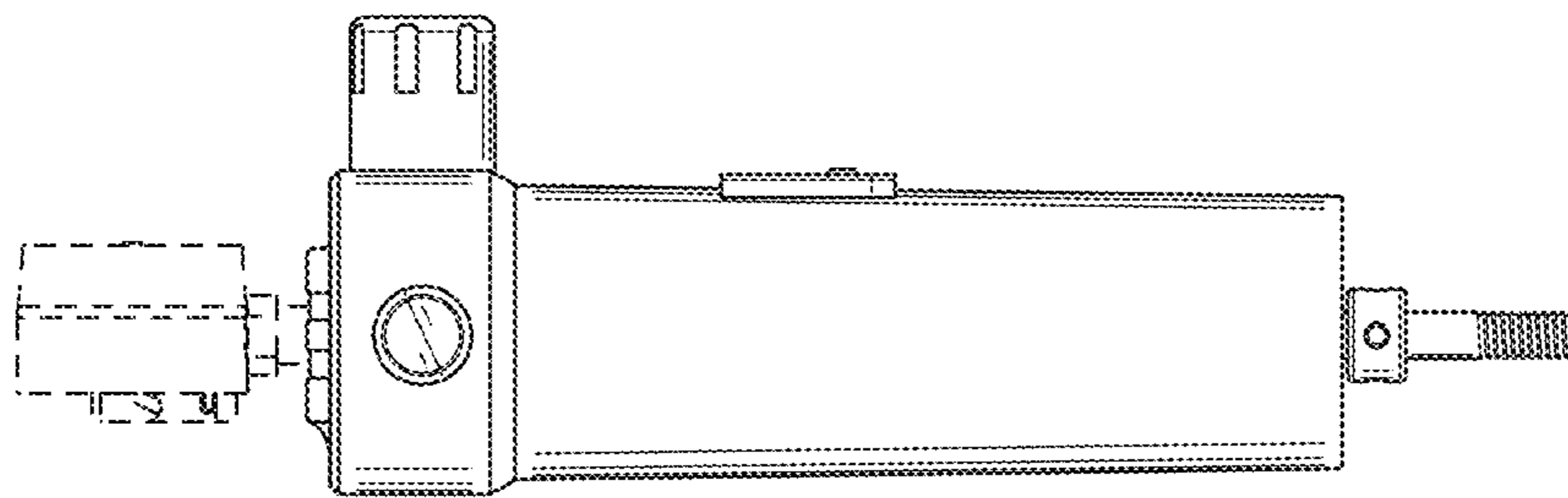


FIG. 2

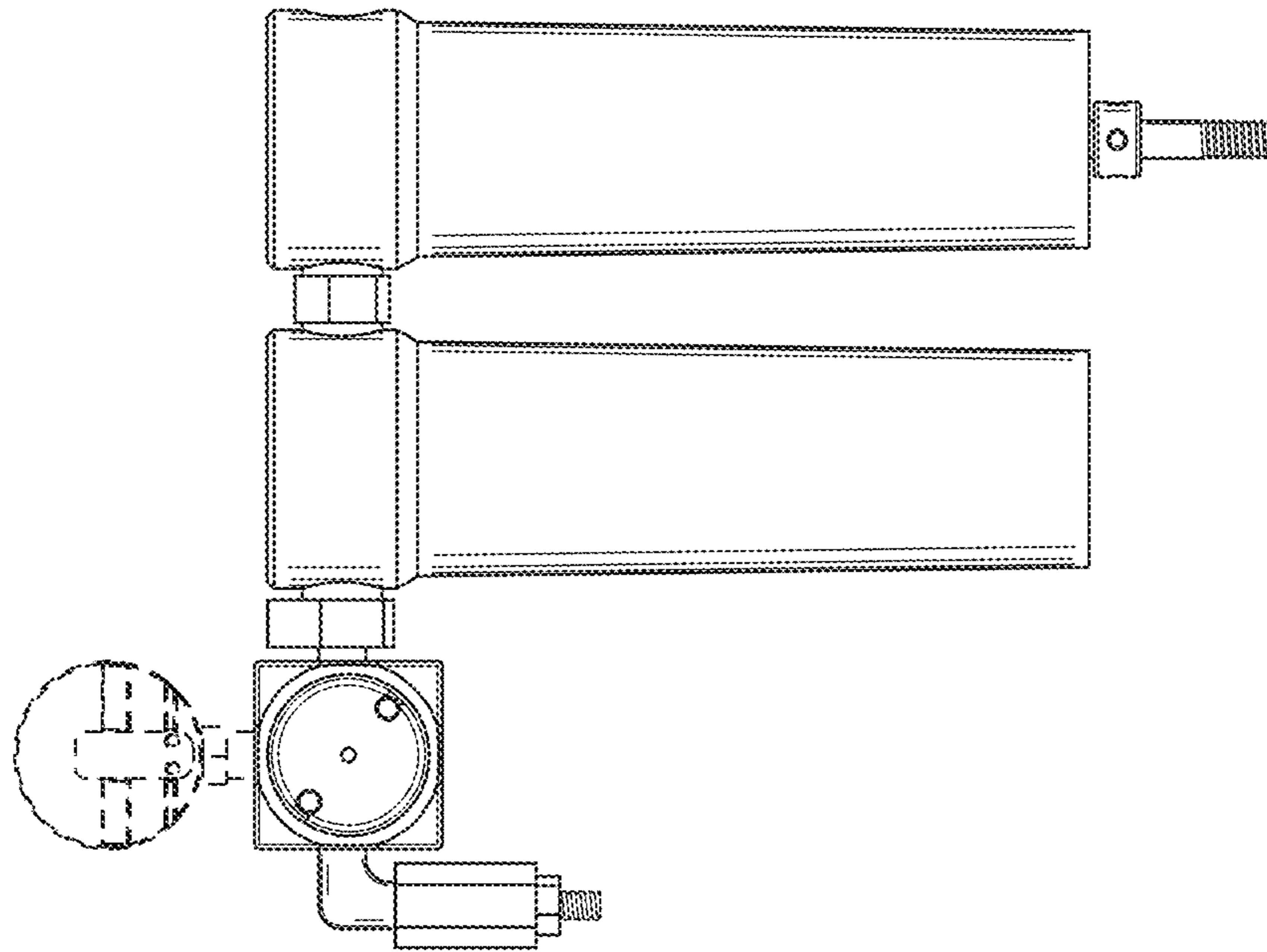


FIG. 5

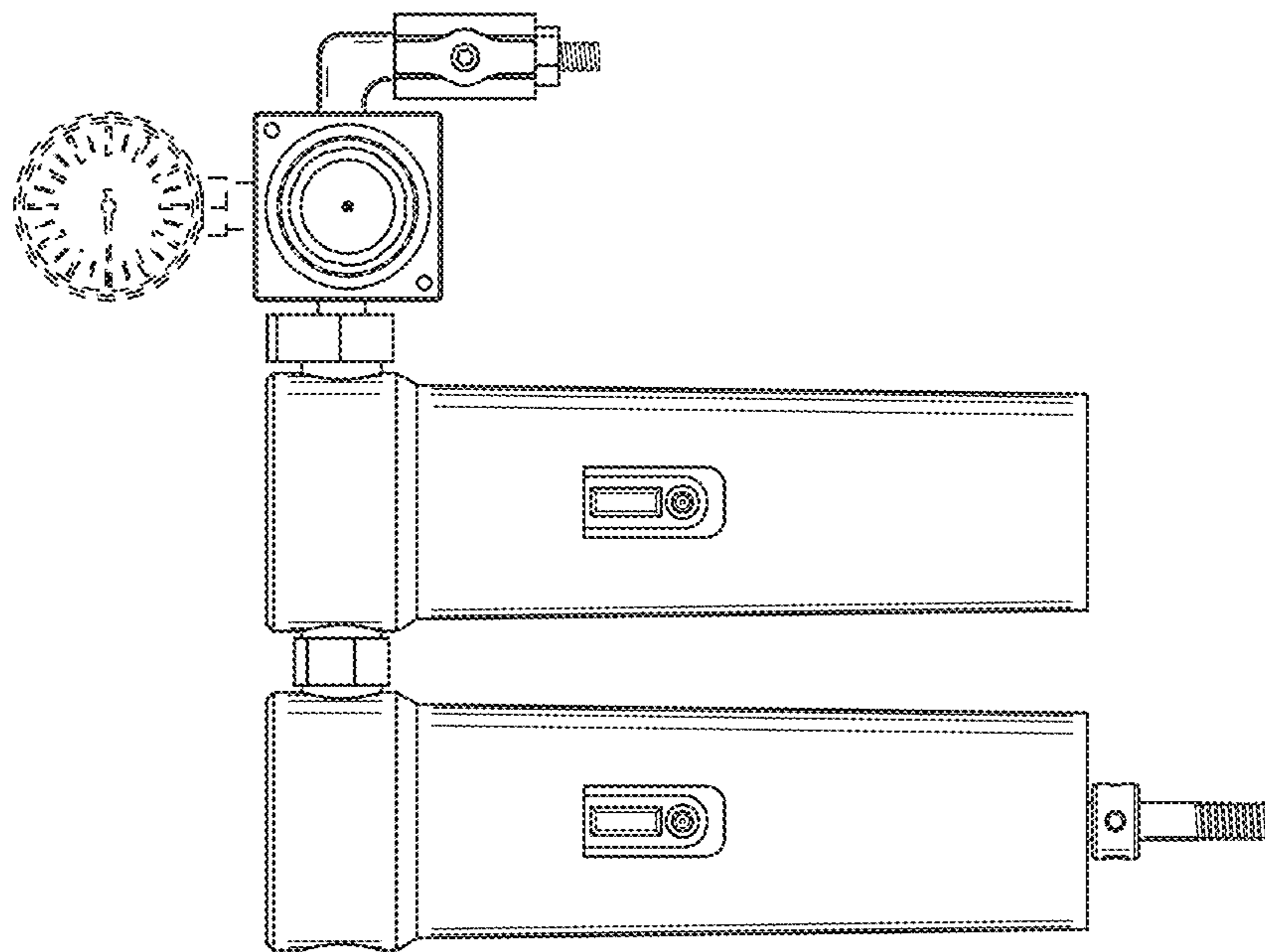


FIG. 4

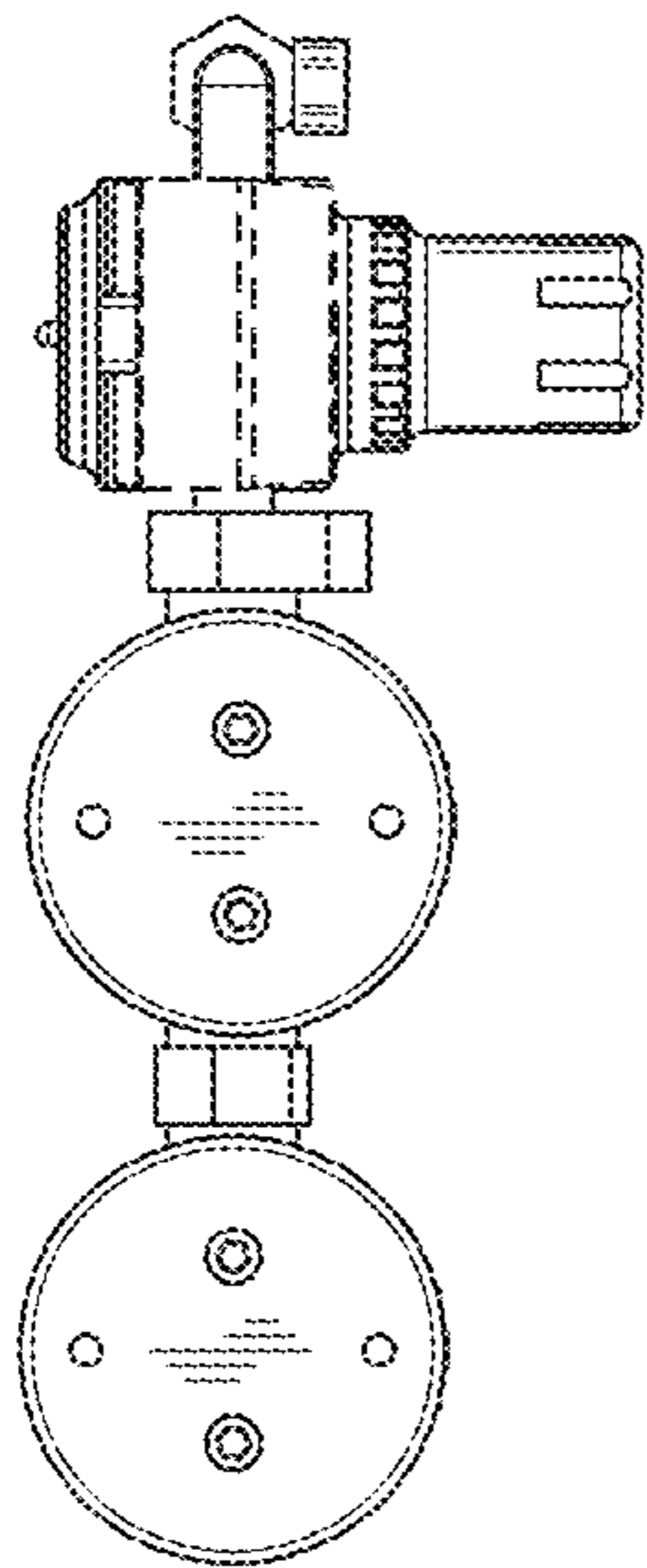


FIG. 6

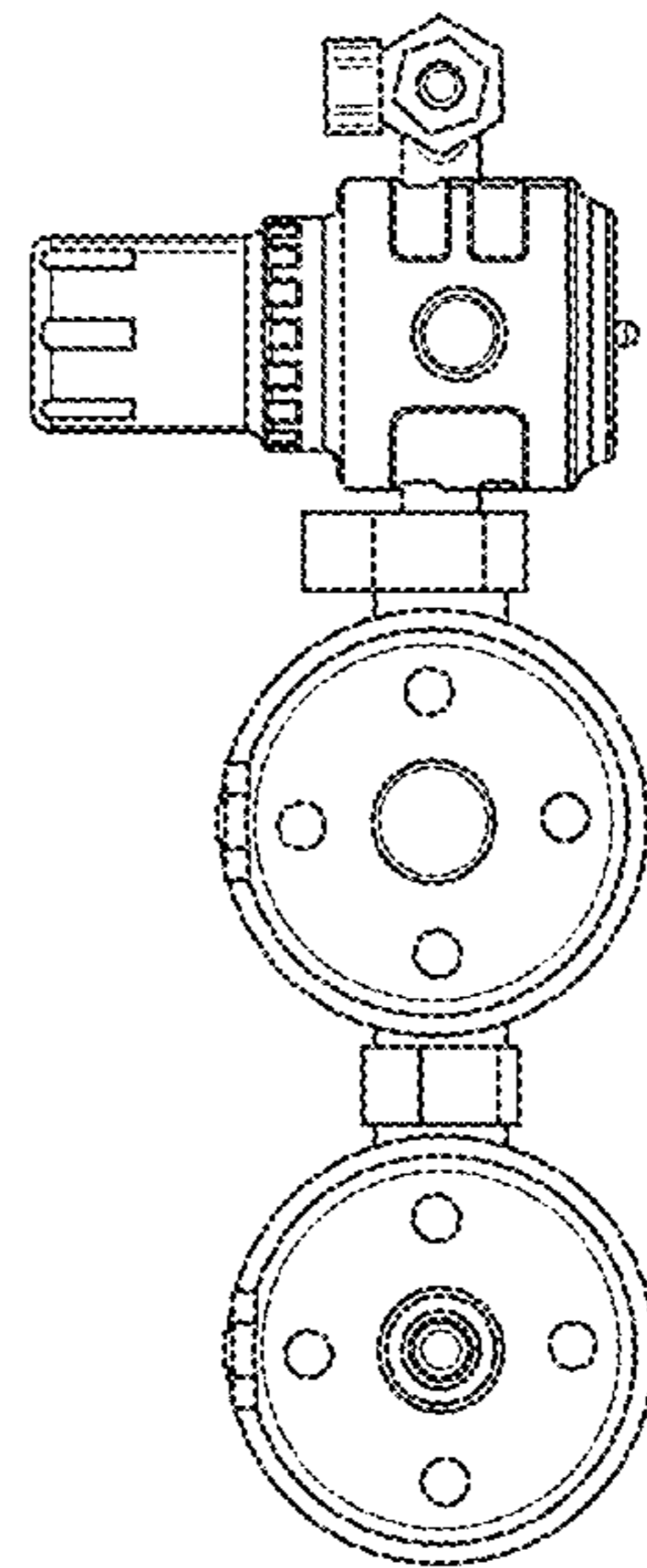


FIG. 7

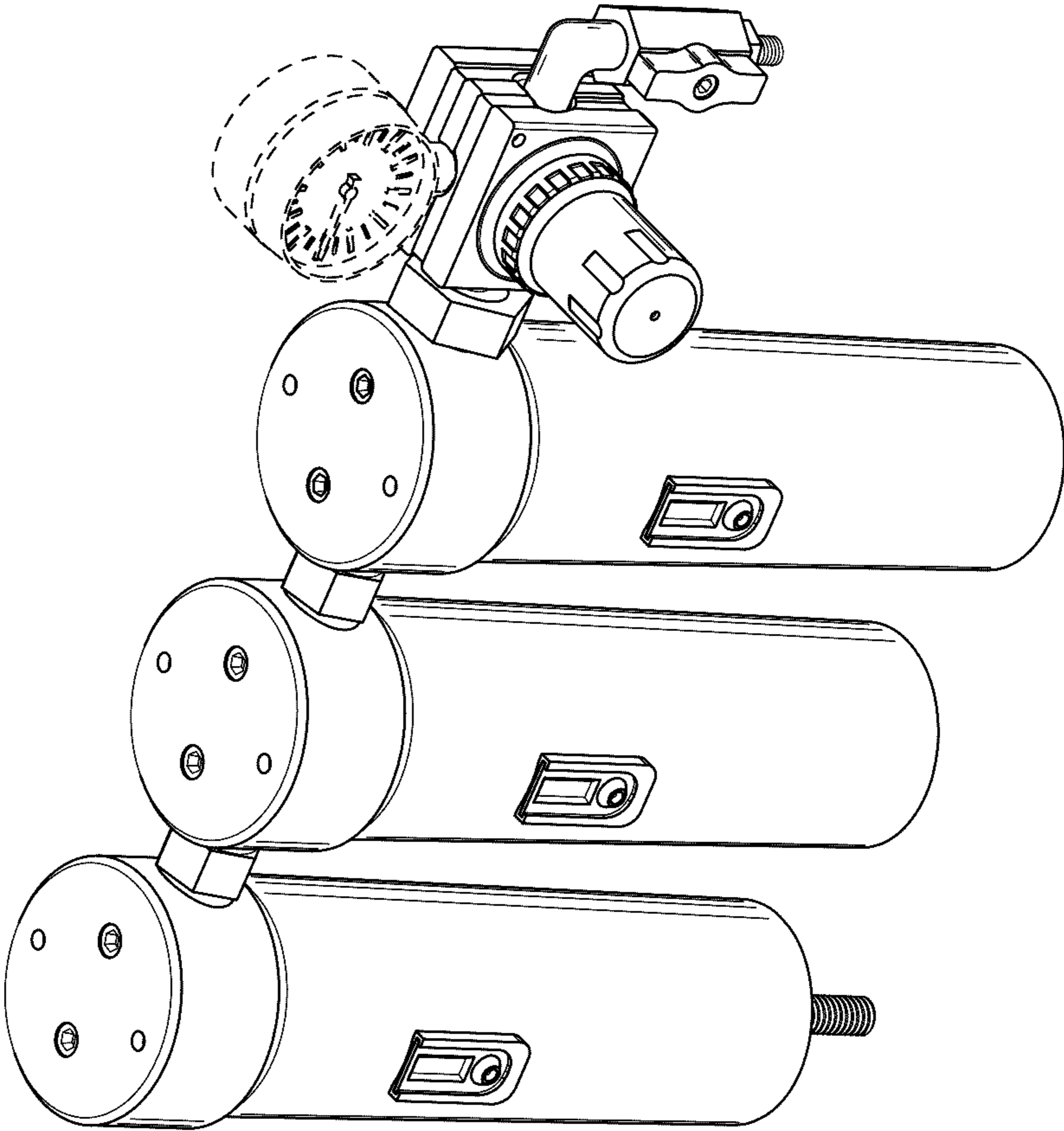


FIG. 8

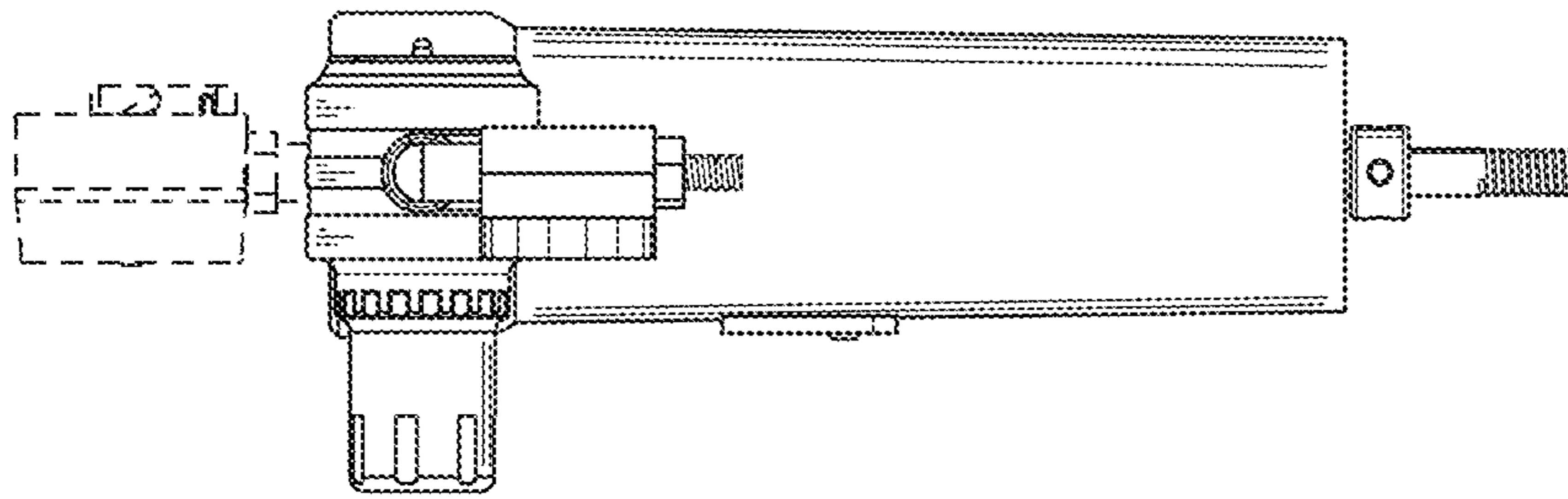


FIG. 10

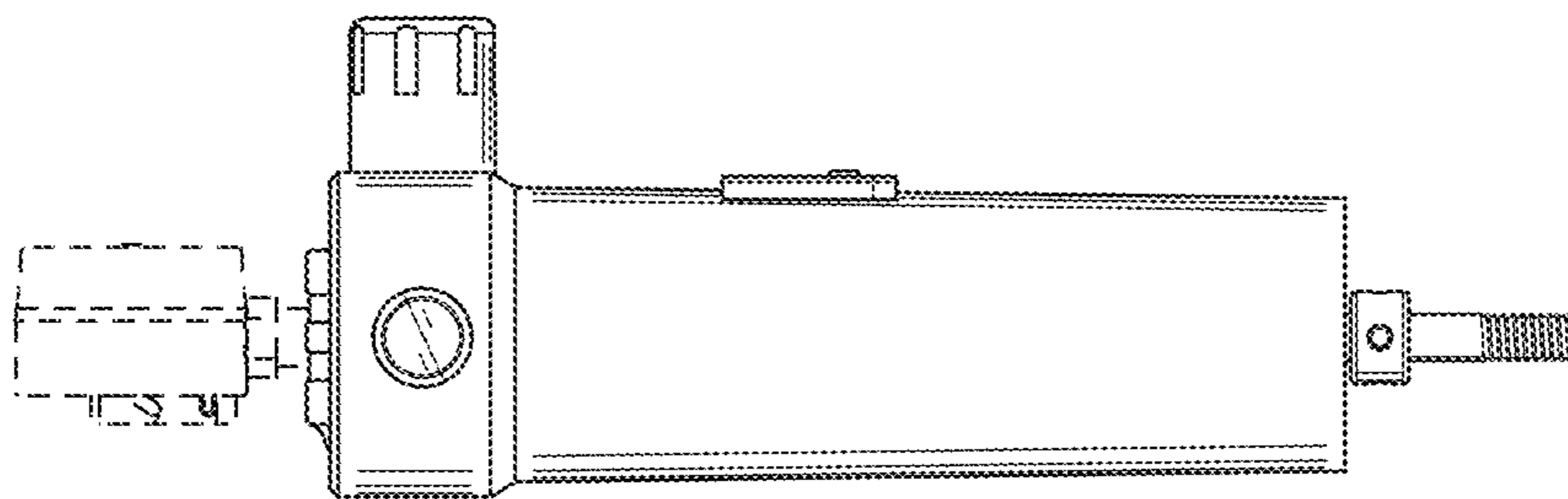


FIG. 9



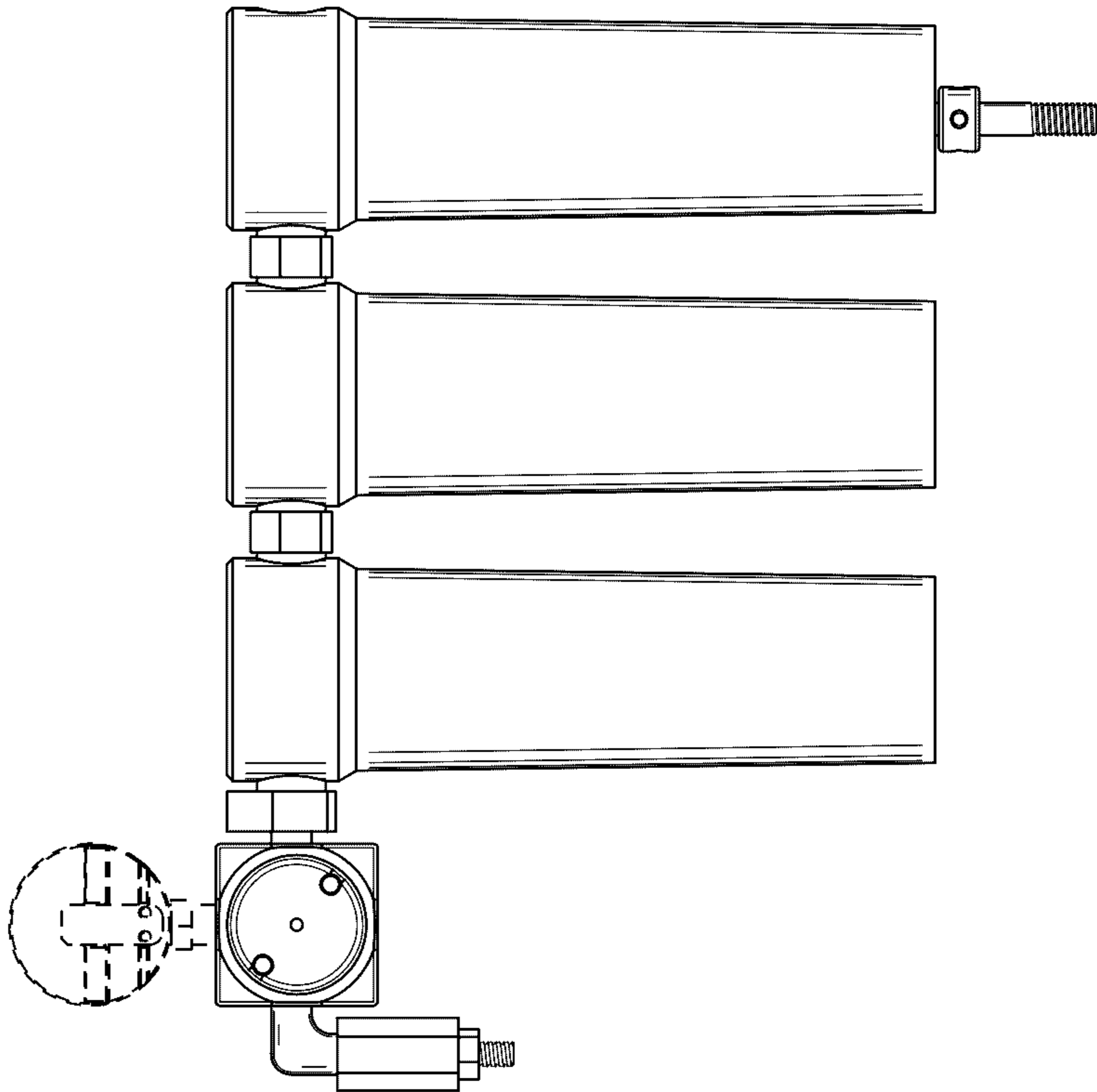


FIG. 12

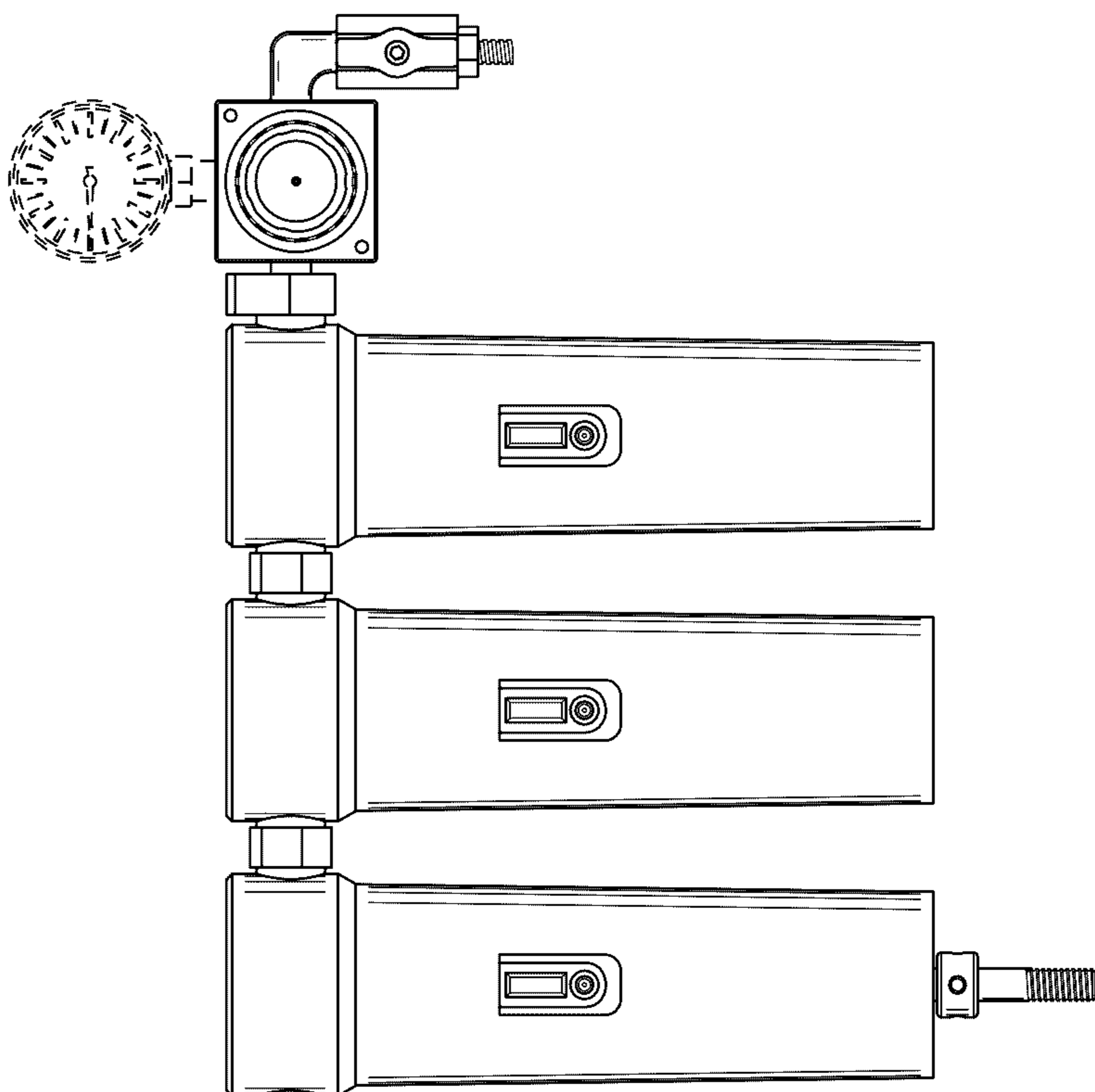
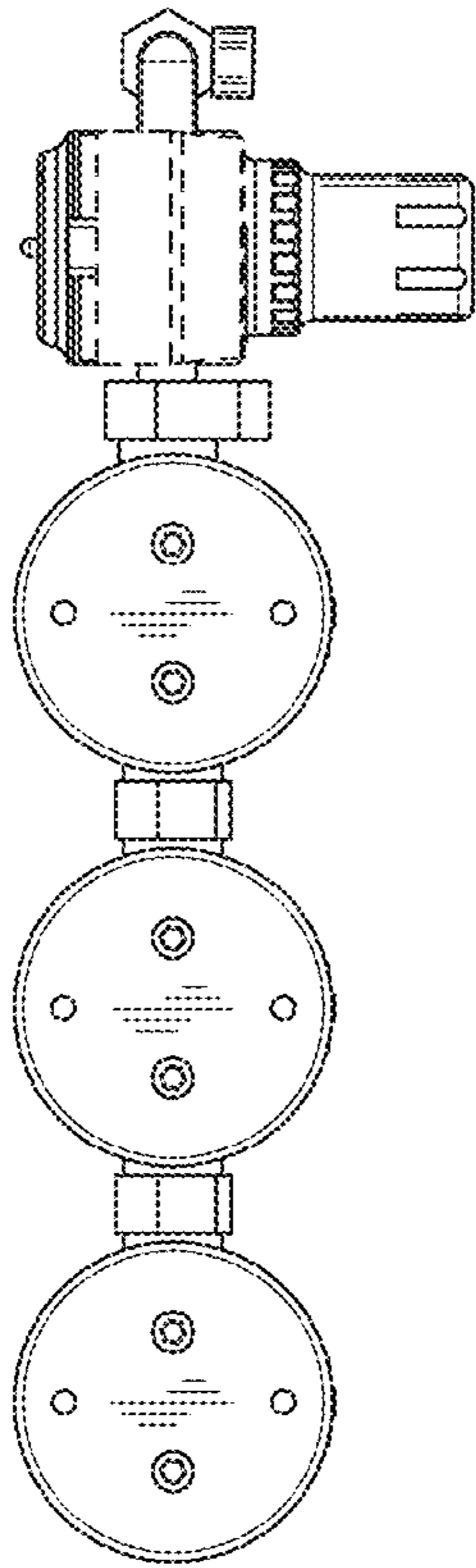
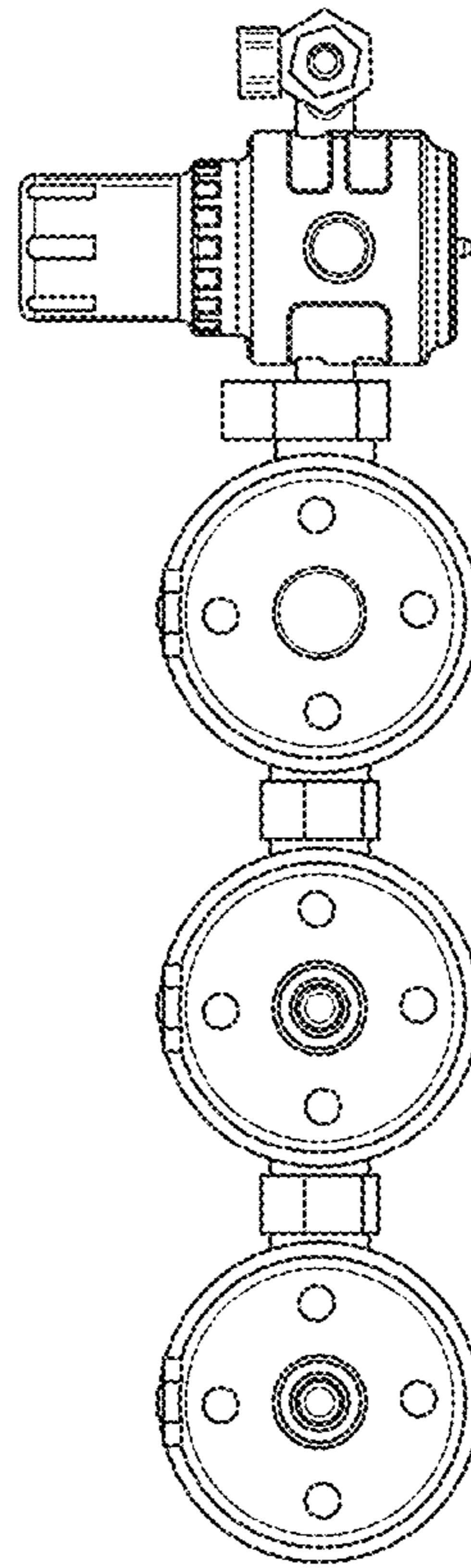


FIG. 11



*FIG. 13*



*FIG. 14*