



US00D768811S

(12) **United States Design Patent** (10) **Patent No.:** **US D768,811 S**  
**Chandler, Jr. et al.** (45) **Date of Patent:** **\*\* Oct. 11, 2016**

(54) **WATER TREATMENT EQUIPMENT CABINET**

*Primary Examiner* — Robin V Webster

(71) Applicant: **Chandler Systems, Inc.**, Ashland, OH (US)

(74) *Attorney, Agent, or Firm* — Ralph E. Jocke; Walker & Jocke

(72) Inventors: **William D. Chandler, Jr.**, Ashland, OH (US); **Aaron R. Wolfe**, Ashland, OH (US); **Cody A. Harbaugh**, Ashland, OH (US)

(57) **CLAIM**

The ornamental design for a water treatment equipment cabinet, as shown and described.

(73) Assignee: **CHANDLER SYSTEMS, INC.**, Ashland, OH (US)

(\*\*) Term: **14 Years**

(21) Appl. No.: **29/521,458**

**DESCRIPTION**

(22) Filed: **Mar. 24, 2015**

(51) **LOC (10) Cl.** ..... **23-01**

FIG. 1 is a top, back and right perspective view of a water treatment equipment cabinet showing our new design;

(52) **U.S. Cl.**  
USPC ..... **D23/207**

FIG. 2 is a front view thereof;

(58) **Field of Classification Search**  
USPC ..... D23/207, 209; D7/306, 304; 210/241, 210/244, 435, 232, 282

FIG. 3 is a back view thereof;

See application file for complete search history.

FIG. 4 is a right side view thereof;

(56) **References Cited**

FIG. 5 is a left side view thereof; and,

**U.S. PATENT DOCUMENTS**

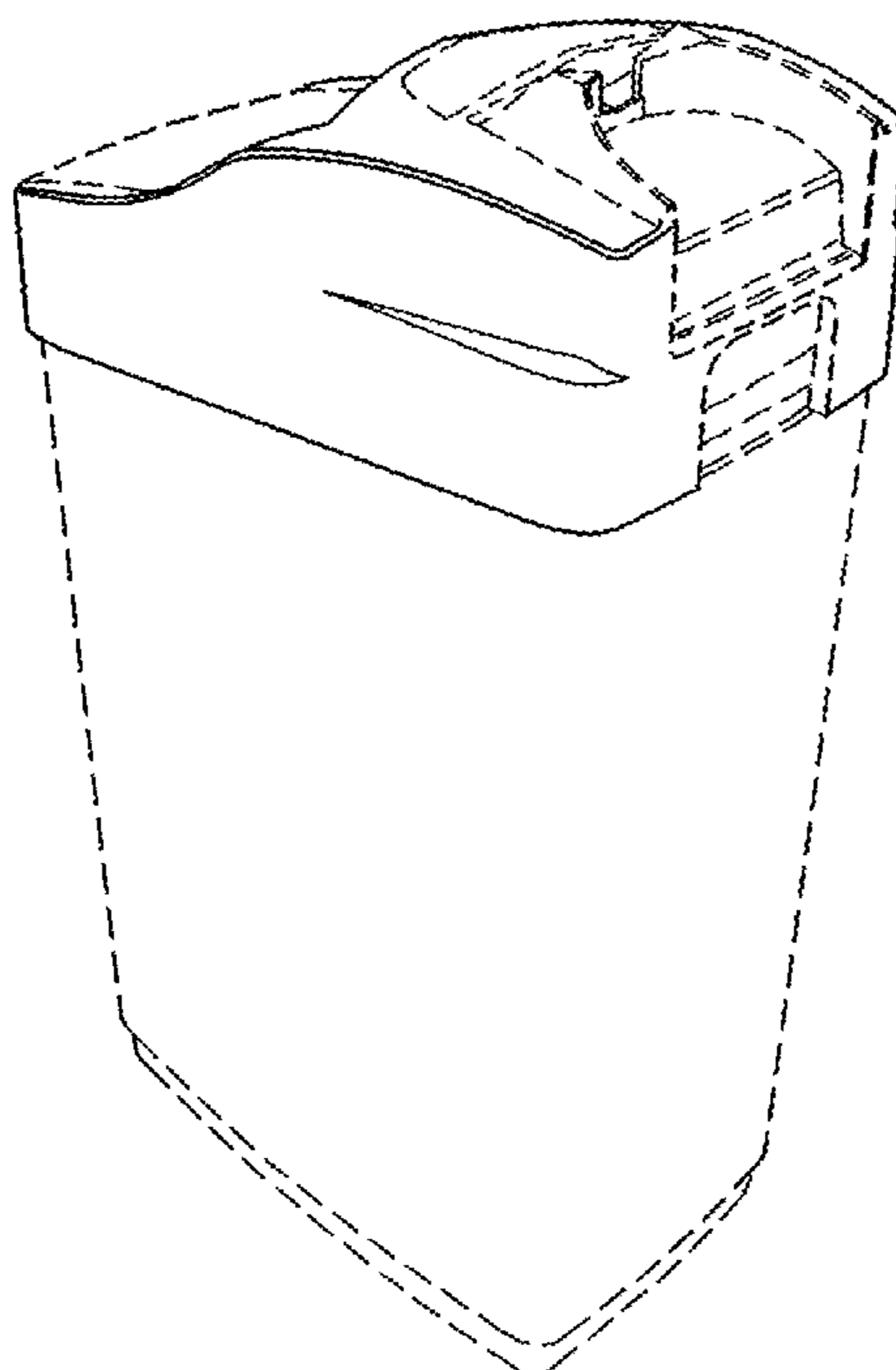
FIG. 6 is a top view thereof.

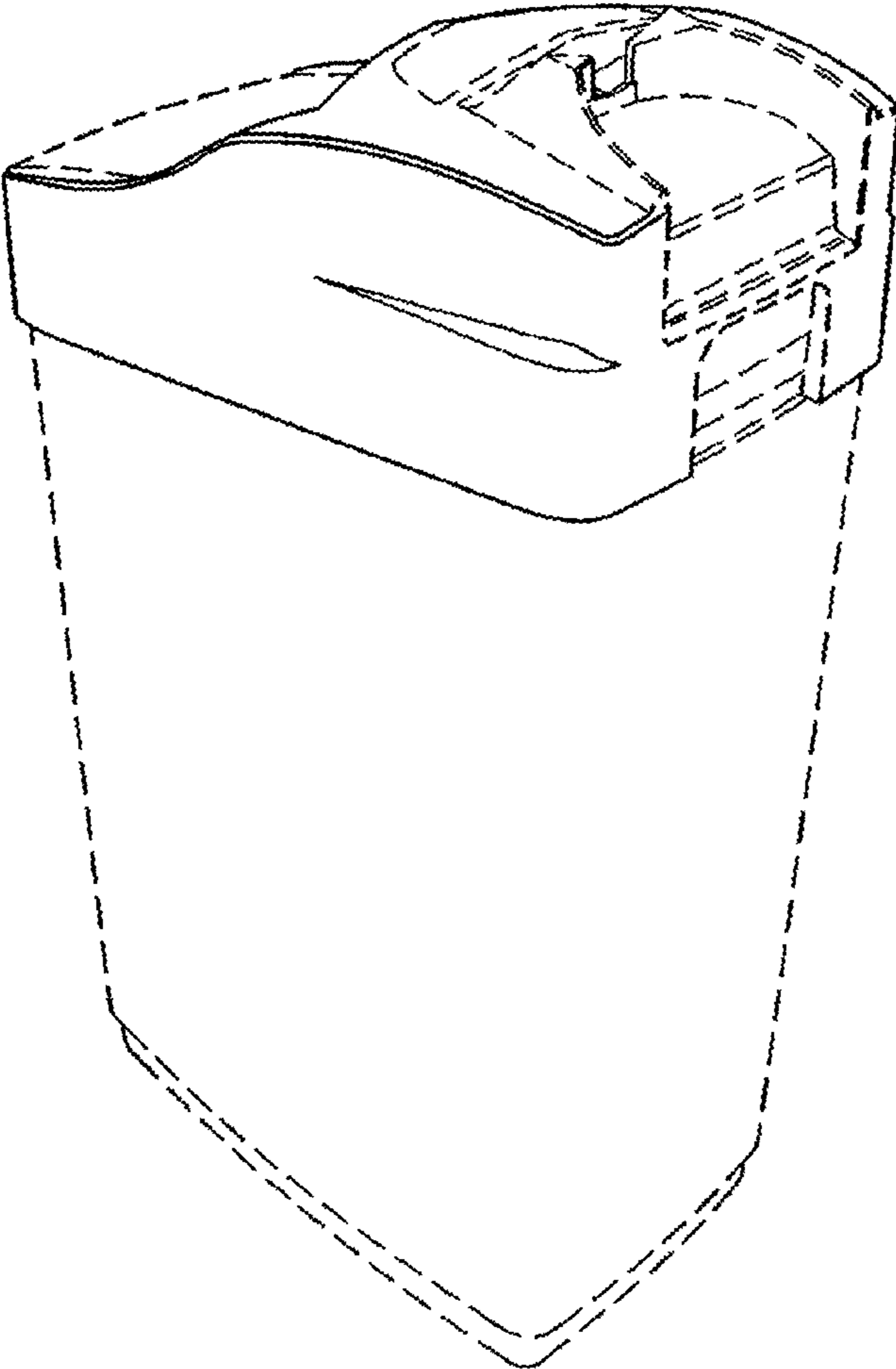
D439,950 S	*	4/2001	Fletcher	.....	D23/207
D465,546 S	*	11/2002	Bardwell	.....	D23/207
D482,755 S	*	11/2003	Rhinehart	.....	D23/207
D530,388 S	*	10/2006	Fletcher	.....	D23/207

The broken line showing of the cabinet body is included for the purpose of illustrating and forms no part of the claimed design.

\* cited by examiner

**1 Claim, 6 Drawing Sheets**





**FIG. 1**

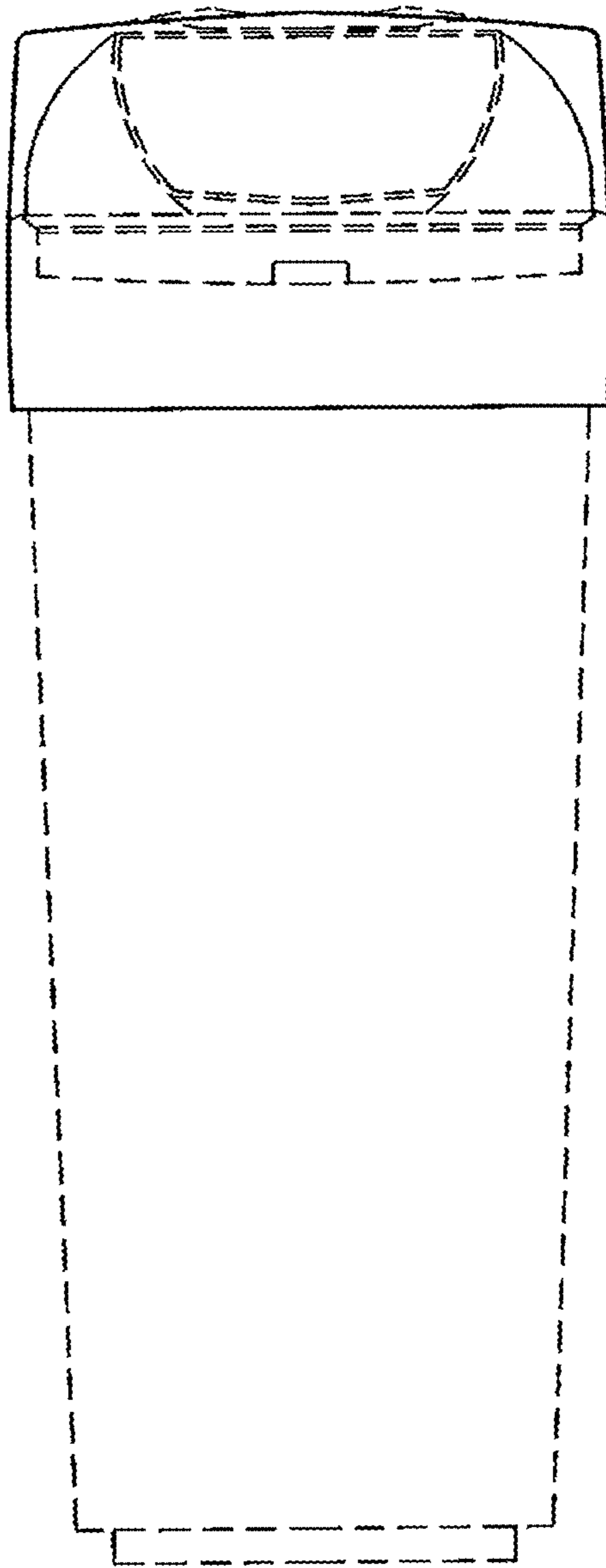
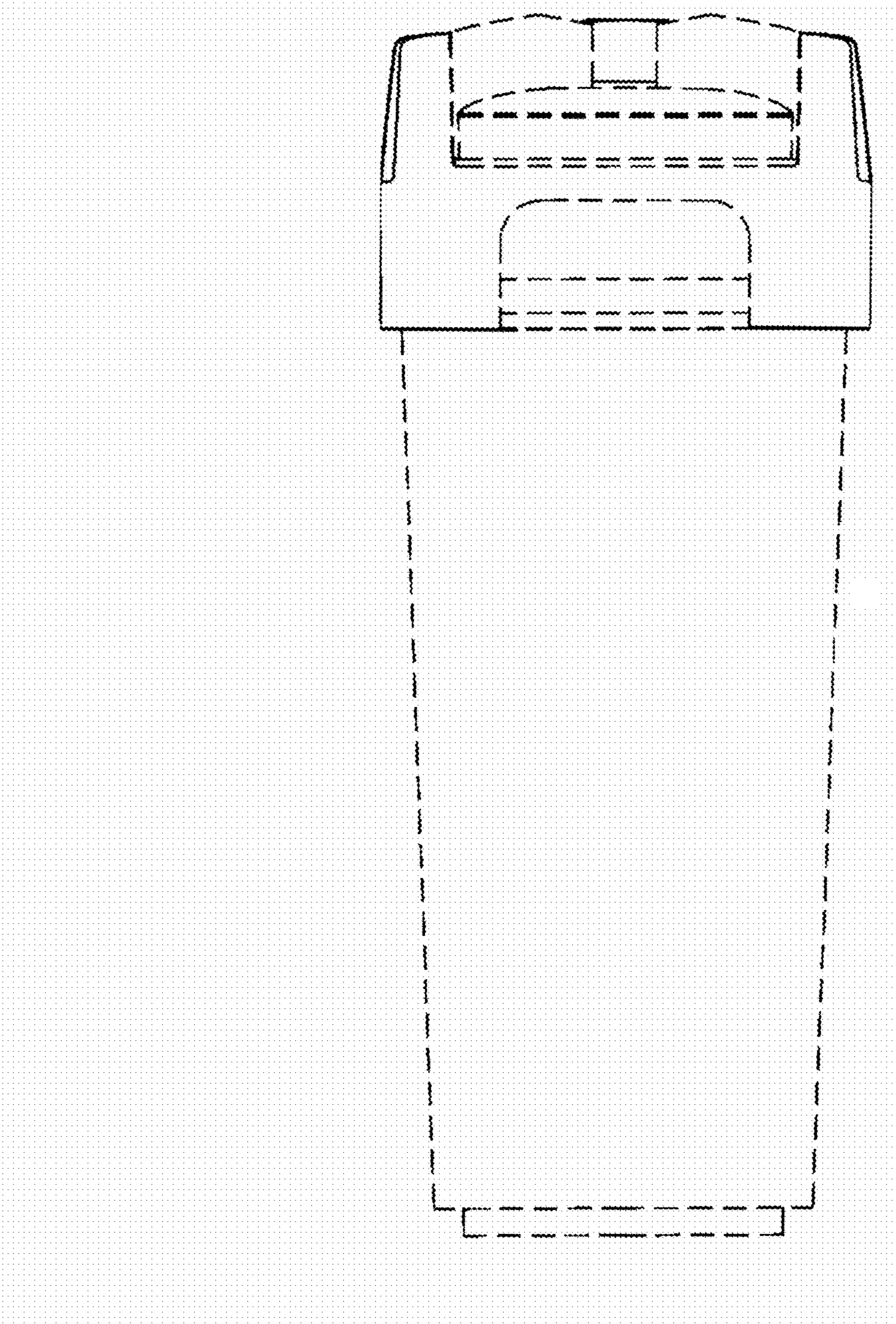


FIG. 2



**FIG. 3**

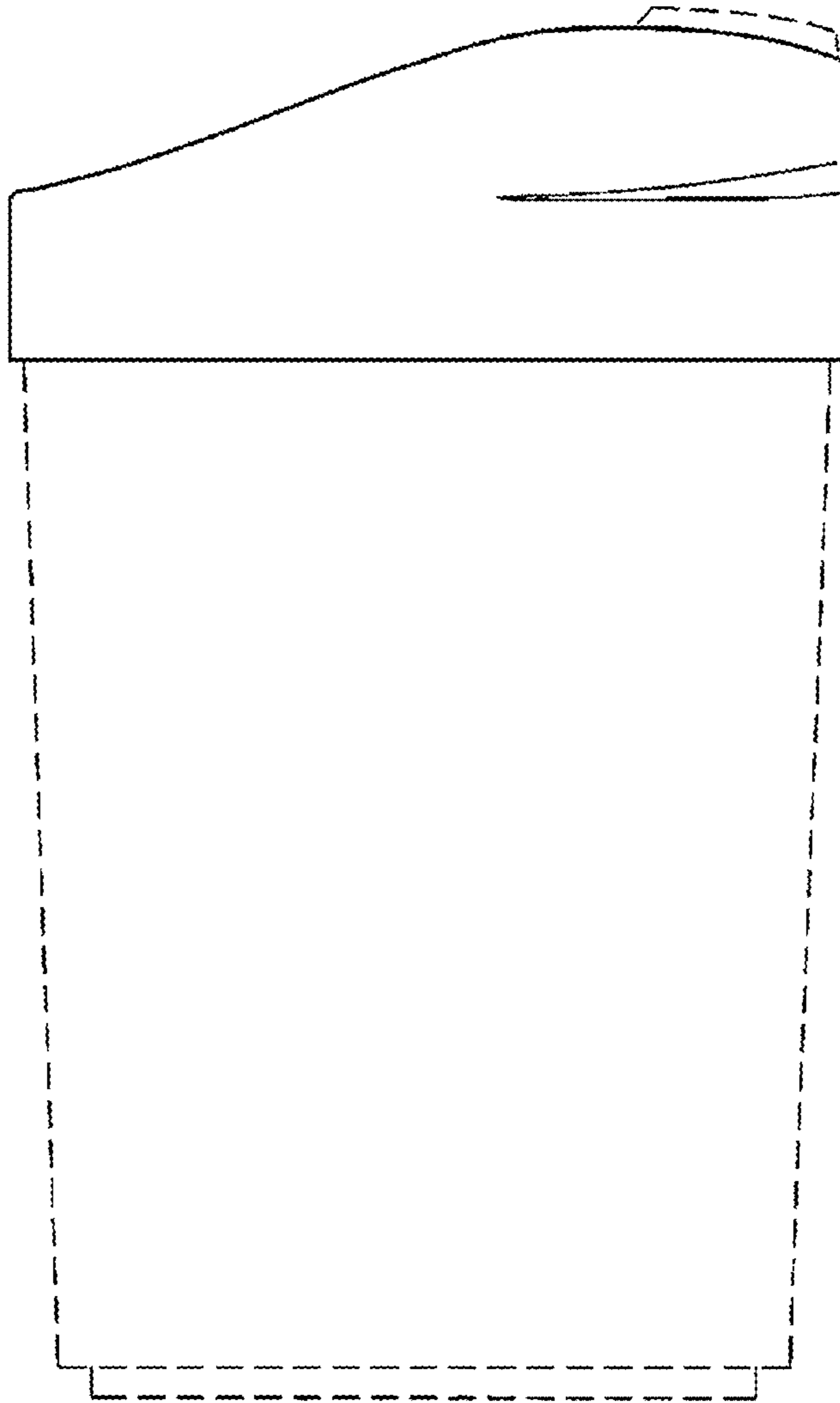
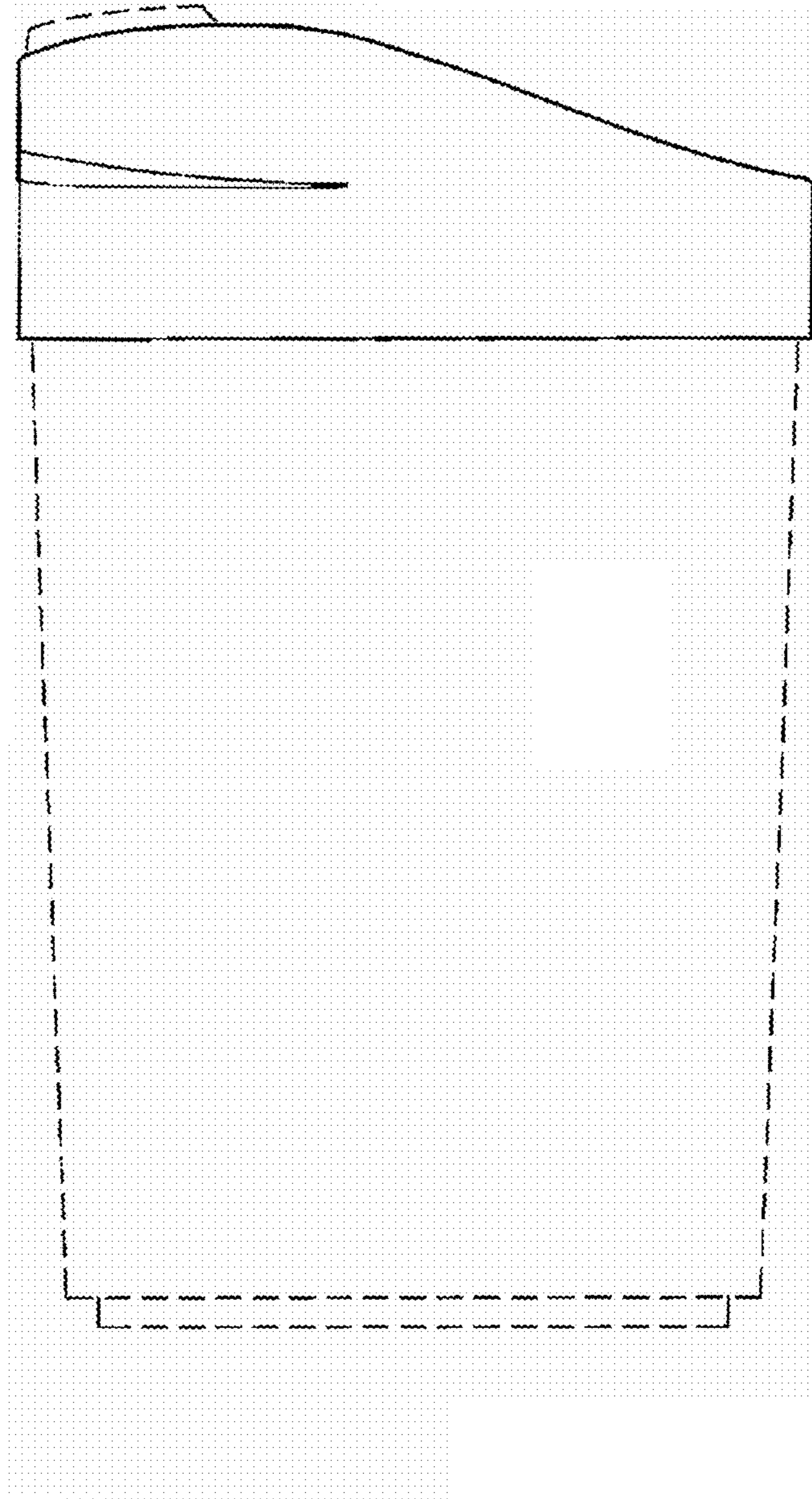


FIG. 4



**FIG. 5**

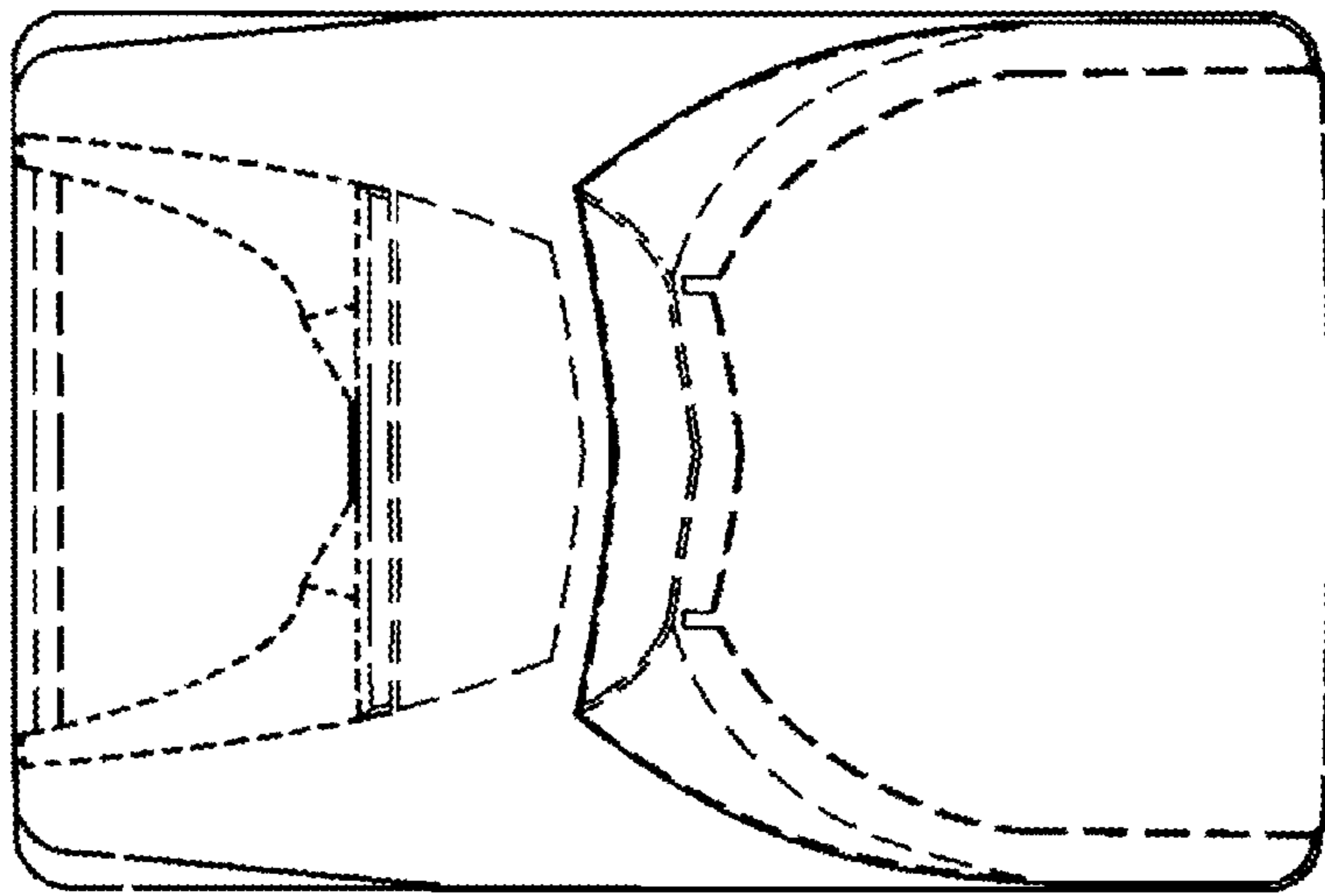


FIG. 6