

US00D768809S

(12) **United States Design Patent**
Krotz et al.

(10) **Patent No.:** **US D768,809 S**
(45) **Date of Patent:** **** Oct. 11, 2016**

- (54) **CONTAINER FOR WATER AND OXYGENATED MISTING**
- (71) Applicants: **Matthew J. Krotz**, Ava, IL (US);
Curtis K. Kealoha, Ava, IL (US)
- (72) Inventors: **Matthew J. Krotz**, Ava, IL (US);
Curtis K. Kealoha, Ava, IL (US)
- (**) Term: **14 Years**
- (21) Appl. No.: **29/518,610**
- (22) Filed: **Feb. 25, 2015**
- (51) **LOC (10) Cl.** **23-01**
- (52) **U.S. Cl.**
USPC **D23/200; D8/1**
- (58) **Field of Classification Search**
USPC **D23/200, 202; D8/1; 239/1; 47/79,**
47/48.5, 901, 57.7
See application file for complete search history.

(56) **References Cited**

U.S. PATENT DOCUMENTS

- 5,272,835 A * 12/1993 Stern A01G 27/02
47/79
- 5,740,970 A * 4/1998 Edwards A47F 3/001
239/551

- 6,584,730 B1 * 7/2003 Mai A01G 27/02
47/48.5
- 6,592,049 B1 * 7/2003 Wolput B05B 1/202
239/211
- 6,691,460 B1 * 2/2004 Lee A01G 27/02
47/79
- 7,021,555 B2 * 4/2006 Bagnall A01K 1/0082
119/604
- 9,044,763 B2 * 6/2015 Orubor A01C 23/047

* cited by examiner

Primary Examiner — Robin V Webster

(74) *Attorney, Agent, or Firm* — Charles McClosky

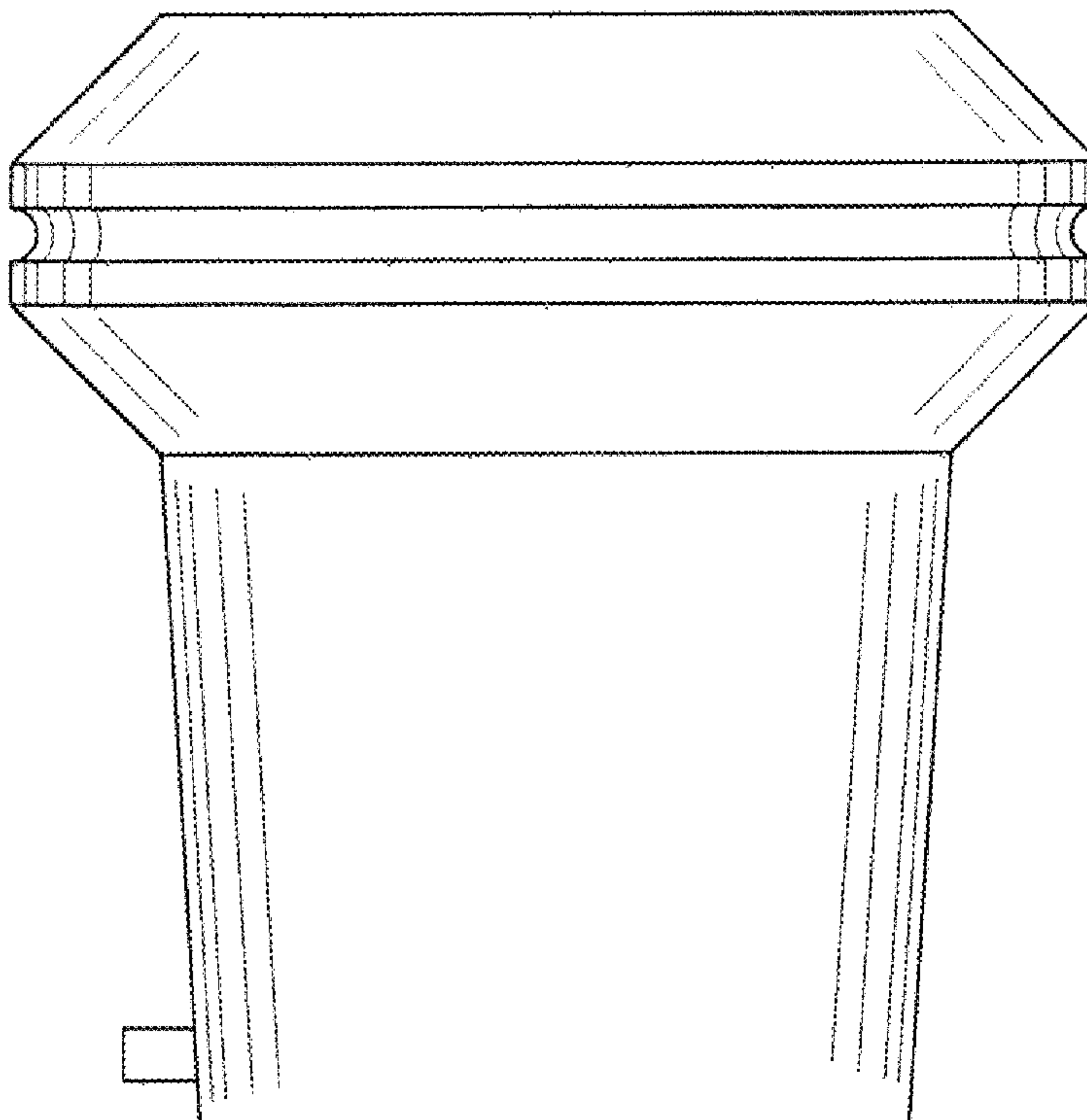
(57) **CLAIM**

The ornamental design for a container for water and oxygenated misting, as shown.

DESCRIPTION

FIG. 1 is a front view of a container for water and oxygenated misting showing our new design; FIG. 2 is a side view thereof; FIG. 3 is a back view thereof; FIG. 4 is a side view thereof; FIG. 5 is a top view thereof; FIG. 6 is a bottom view thereof; and, FIG. 7 is a perspective view thereof.

1 Claim, 4 Drawing Sheets



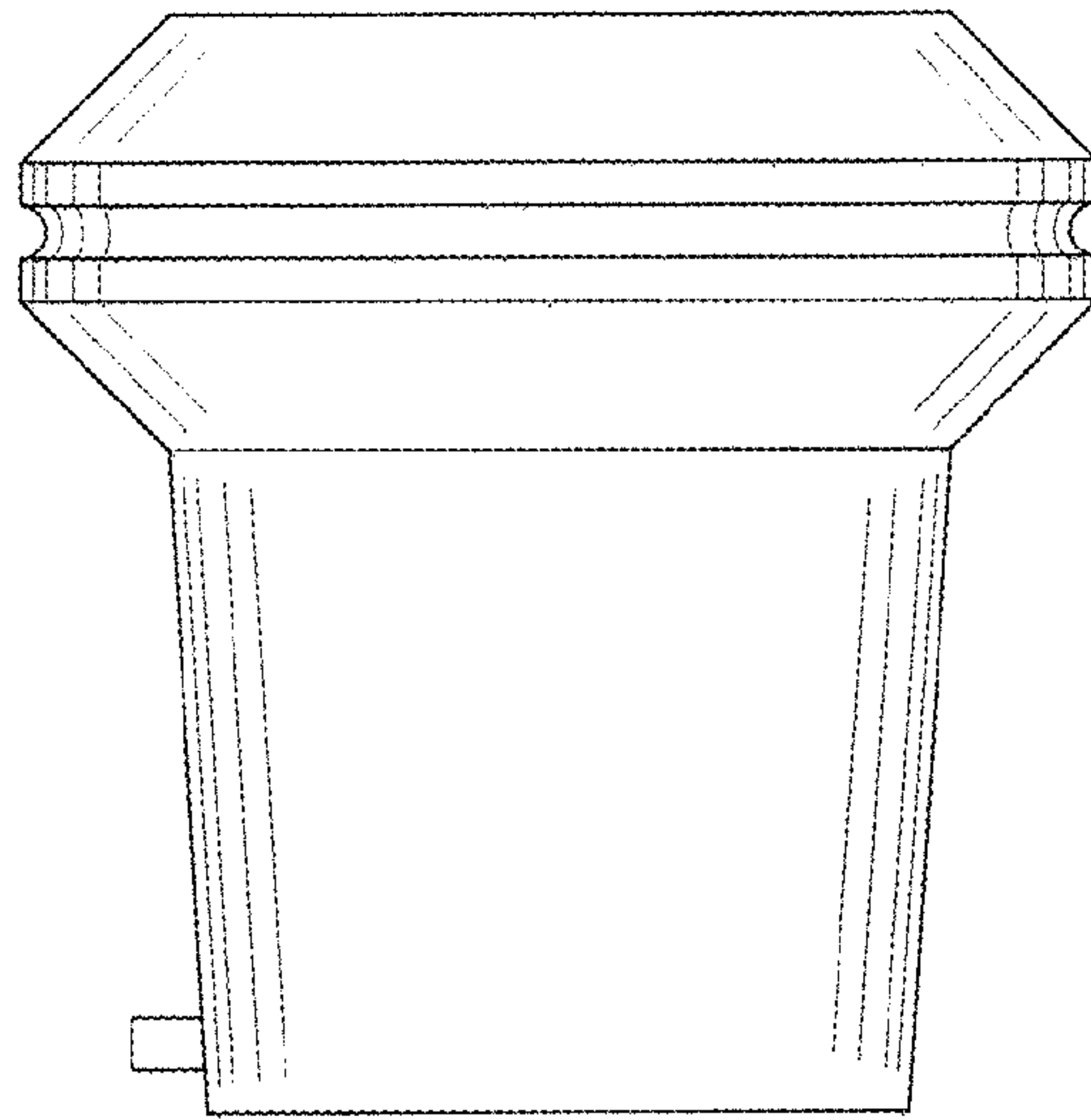


FIG. 1

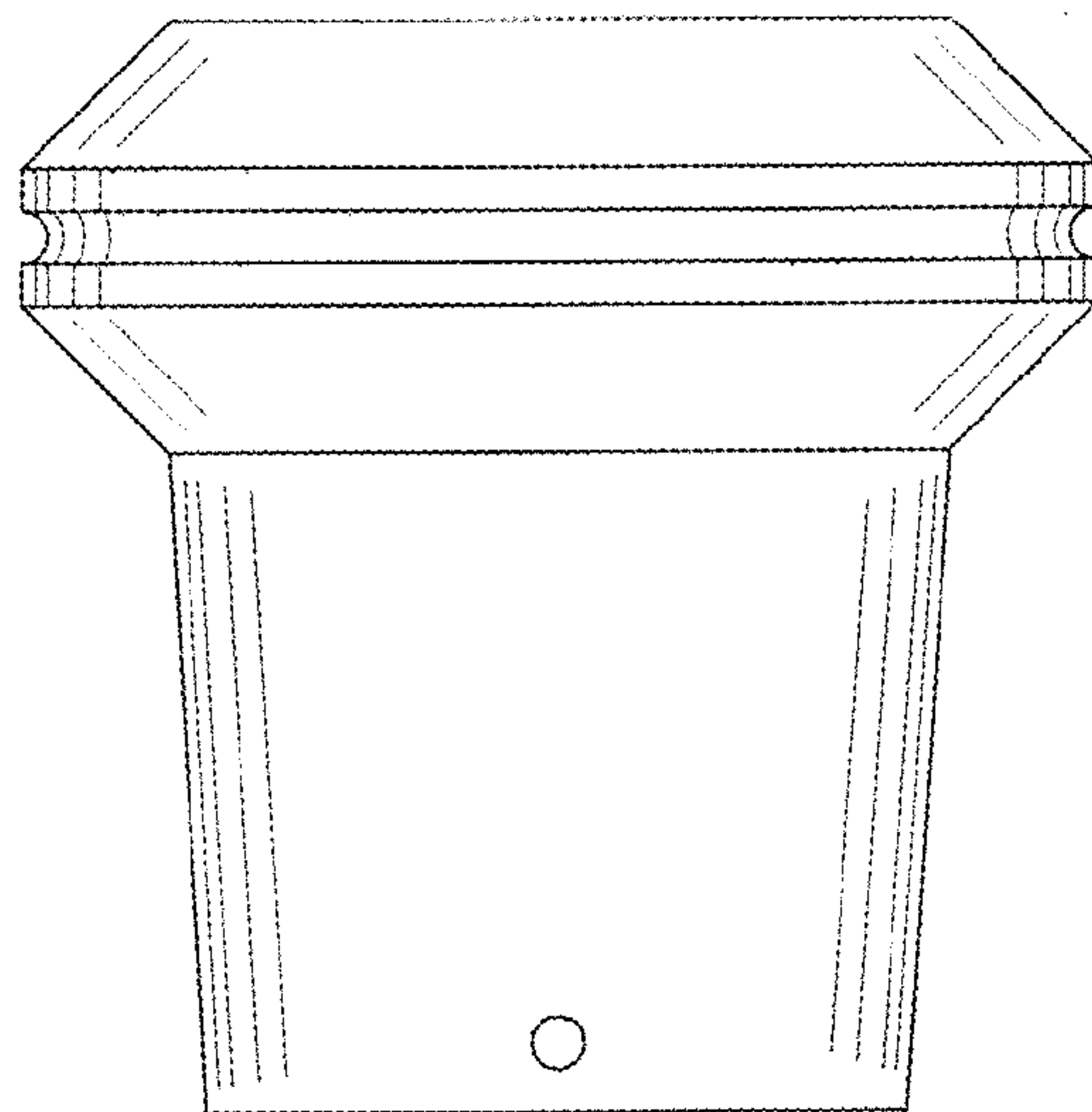


FIG. 2

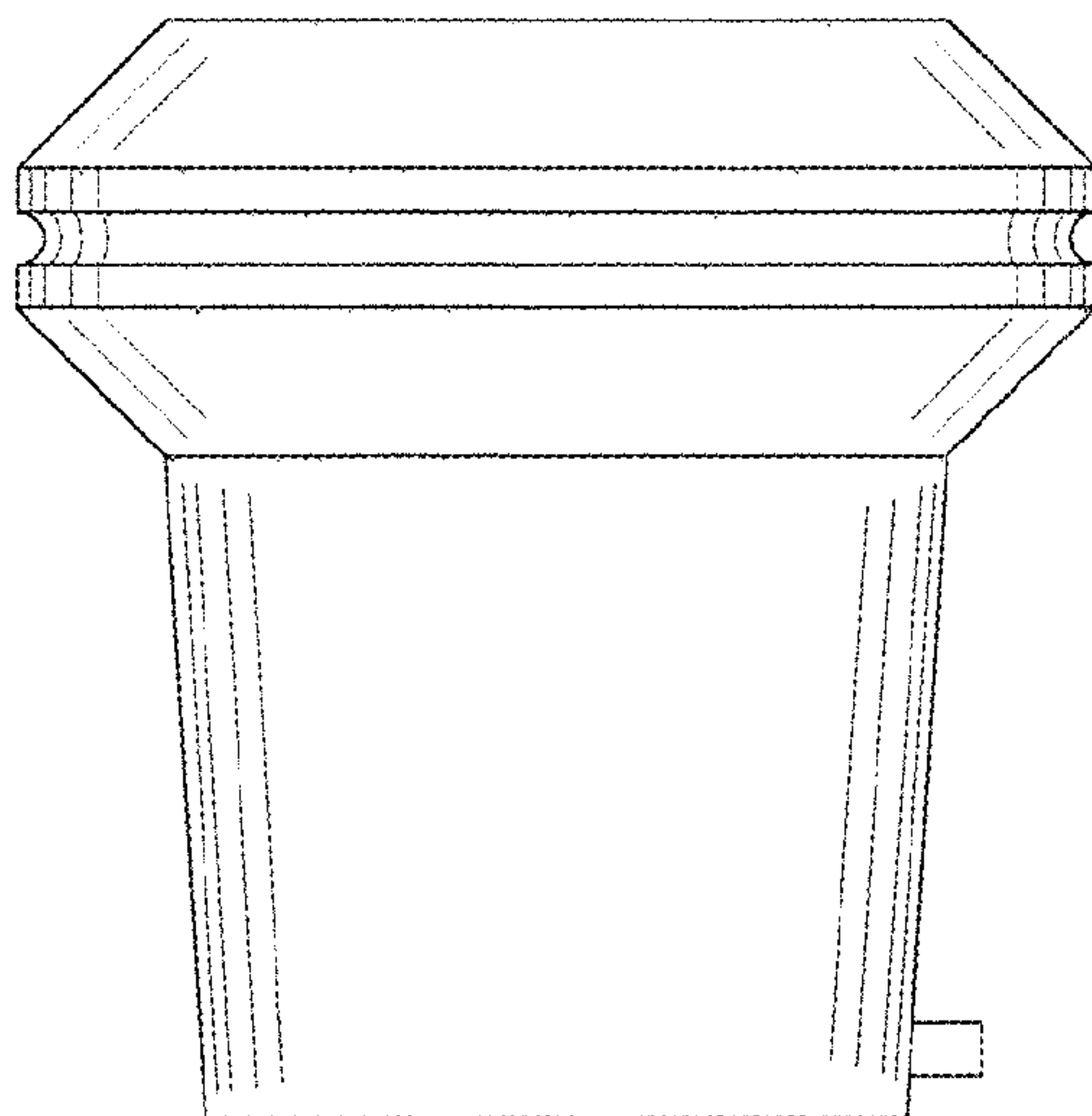


FIG. 3

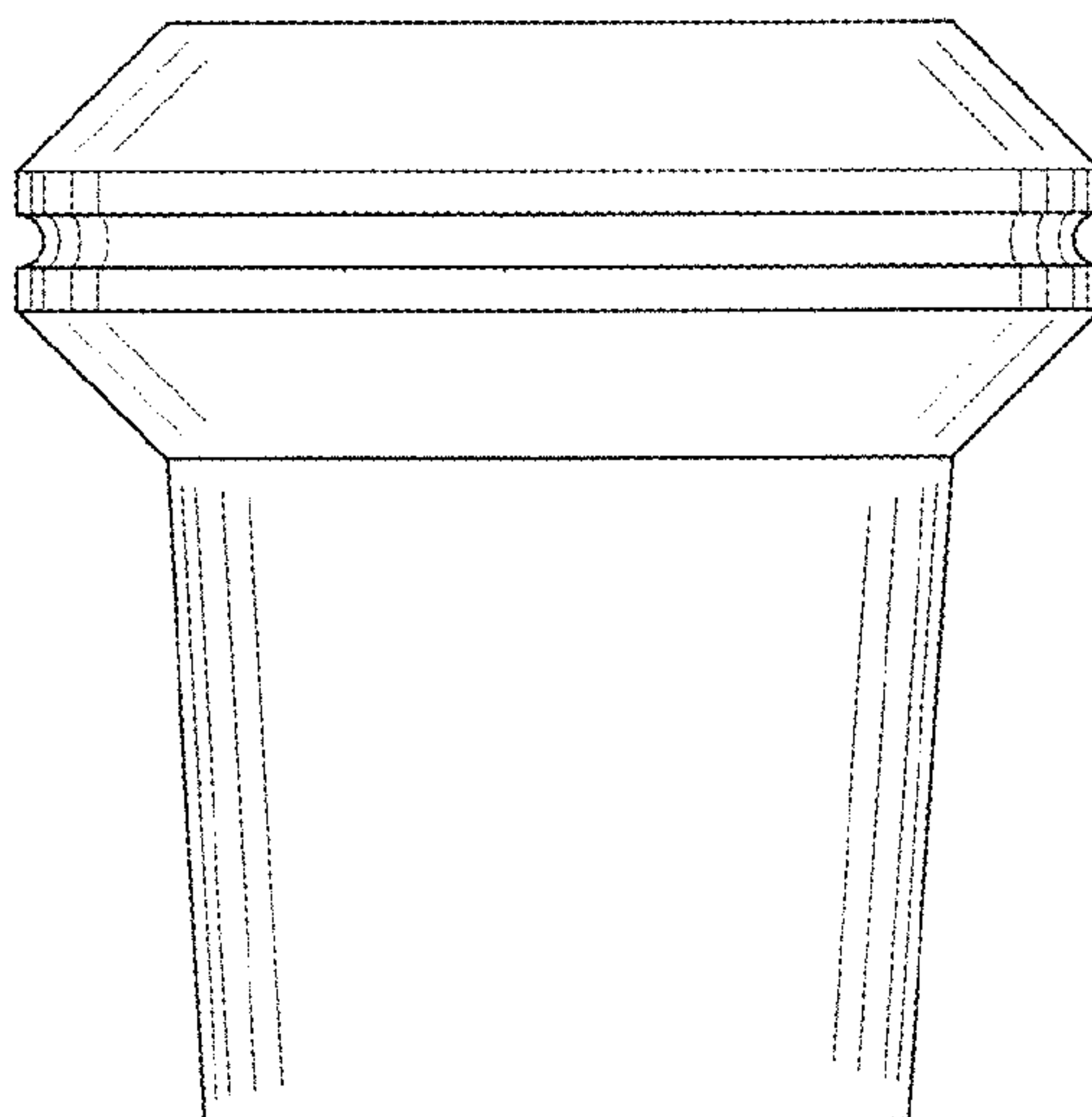


FIG. 4

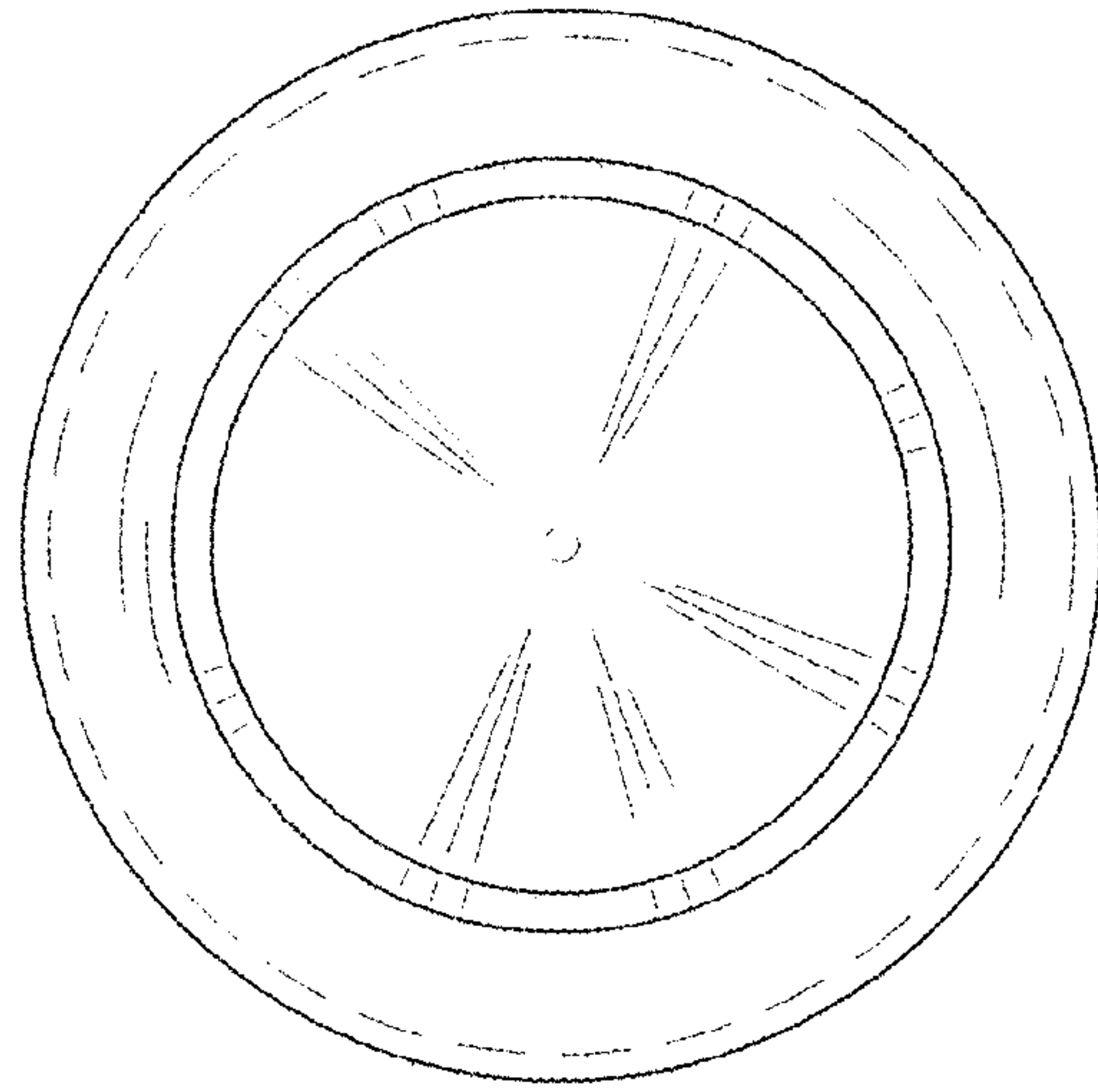


FIG. 5

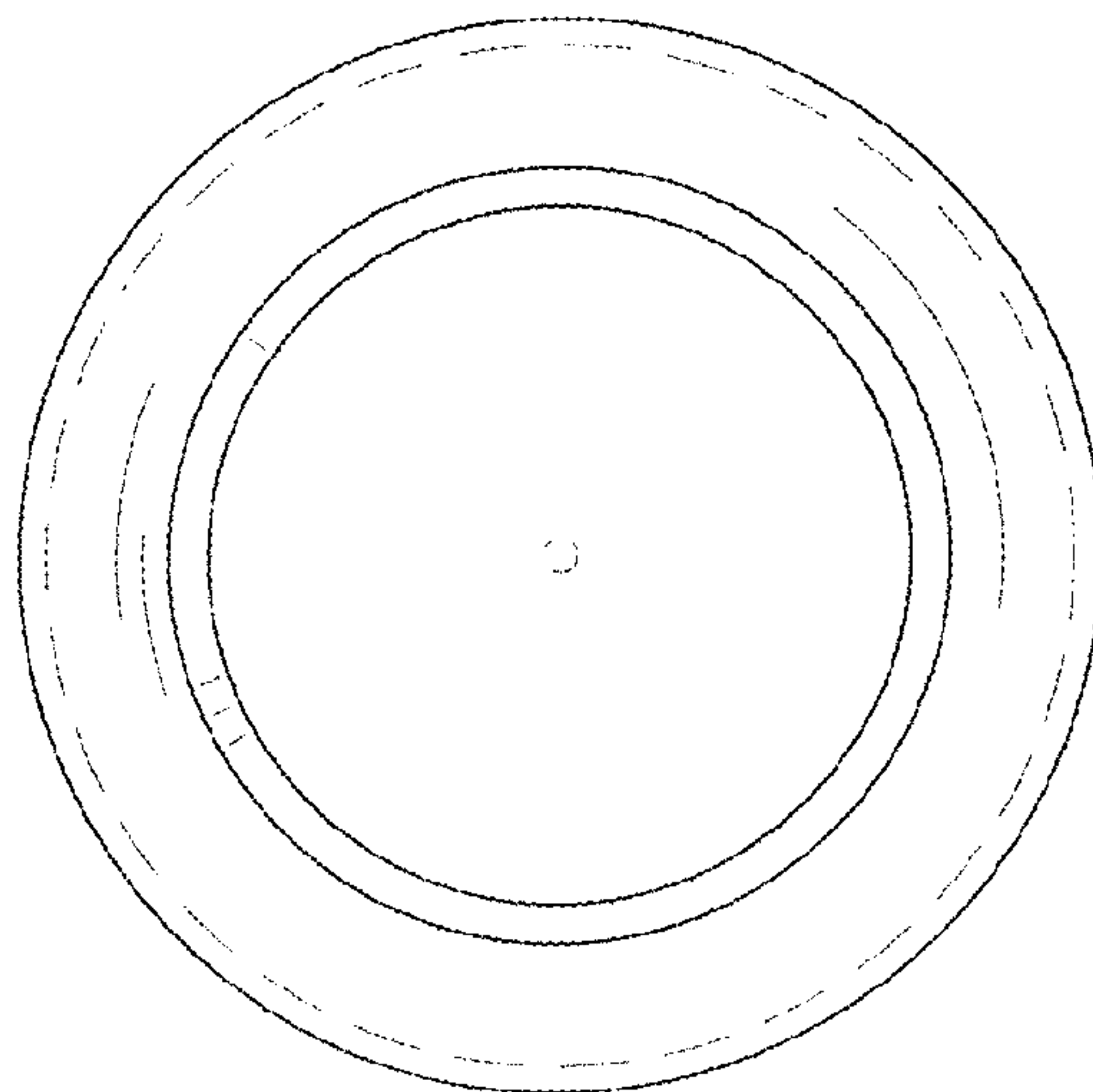


FIG. 6

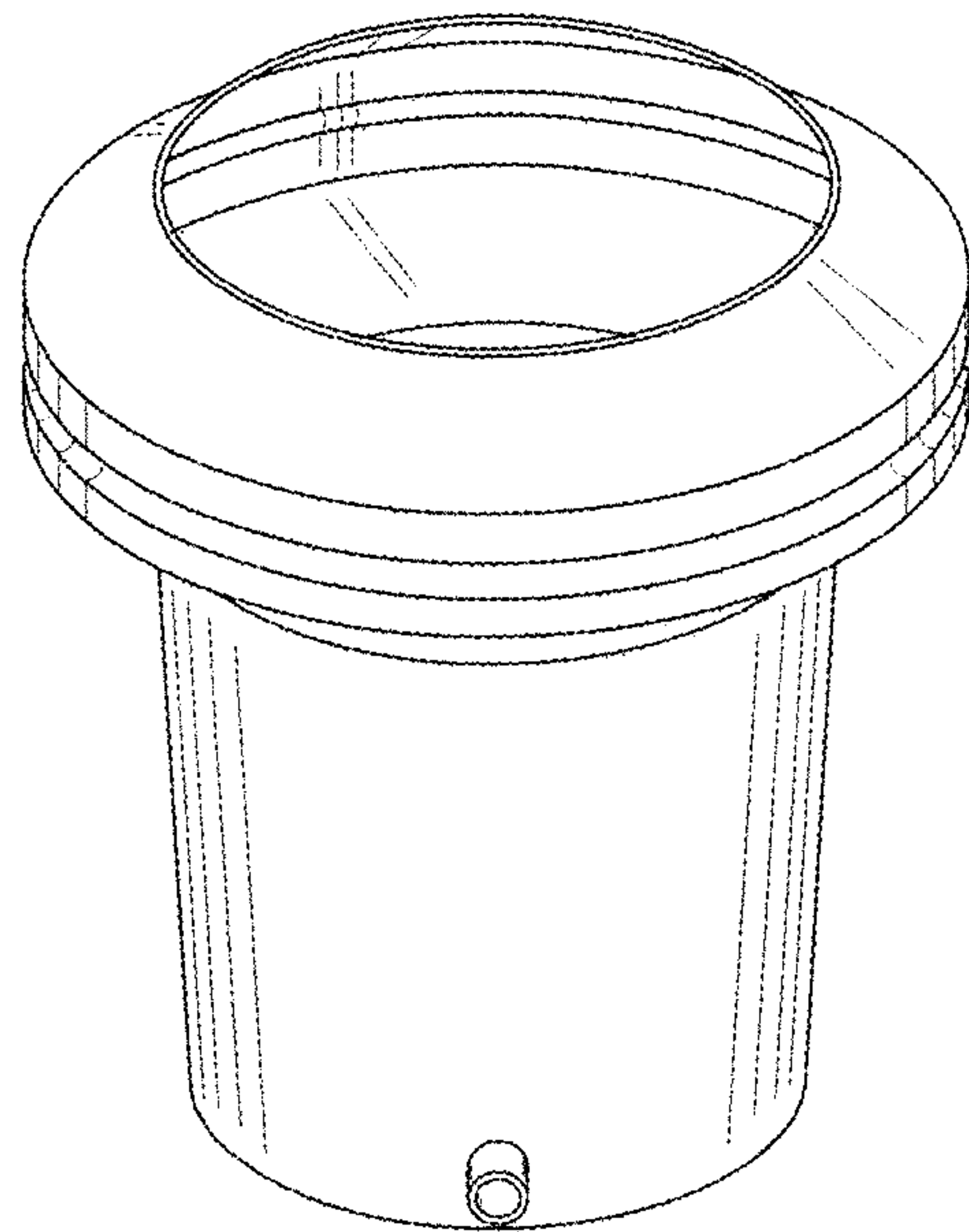


FIG. 7