

US00D768808S

(12) **United States Design Patent**
Byrd et al.

(10) **Patent No.:** **US D768,808 S**
(45) **Date of Patent:** **** Oct. 11, 2016**

(54) **BAIT LIGHTING AND FISH ATTRACTING BOBBER**

(71) Applicants: **Mark Byrd**, Mobile, AL (US); **Bret Faircloth**, Mobile, AL (US)

(72) Inventors: **Mark Byrd**, Mobile, AL (US); **Bret Faircloth**, Mobile, AL (US)

(**) Term: **14 Years**

(21) Appl. No.: **29/522,532**

(22) Filed: **Mar. 31, 2015**

(51) **LOC (10) Cl.** **22-05**

(52) **U.S. Cl.**
USPC **D22/146**

(58) **Field of Classification Search**
USPC D22/146; 43/17, 17.5; 362/107, 159, 362/190, 382; 441/14
CPC A01K 75/02; A01K 93/02
See application file for complete search history.

(56) **References Cited**

U.S. PATENT DOCUMENTS

- 2,908,101 A * 10/1959 Butler A01K 93/02
362/107
- 3,137,872 A * 6/1964 Edwards et al. A01K 75/02
362/159

- 3,292,294 A * 12/1966 Beach A01K 93/02
43/17
- 4,827,655 A * 5/1989 Reed A01K 93/02
43/17.5
- 4,916,846 A * 4/1990 Pehm A01K 93/02
43/17.5
- D307,932 S * 5/1990 Reed D22/146
- D366,691 S * 1/1996 Botkins D22/146
- D684,658 S * 6/2013 De Frisco D22/146
- D739,492 S * 9/2015 Brackett, Sr. D22/146

* cited by examiner

Primary Examiner — Catheri Oliver-Garcia

(74) *Attorney, Agent, or Firm* — AdamsIP, LLC; J. Hunter Adams; Stephen Thompson

(57) **CLAIM**

The ornamental design for a bait lighting and fish attracting bobber, as shown and described.

DESCRIPTION

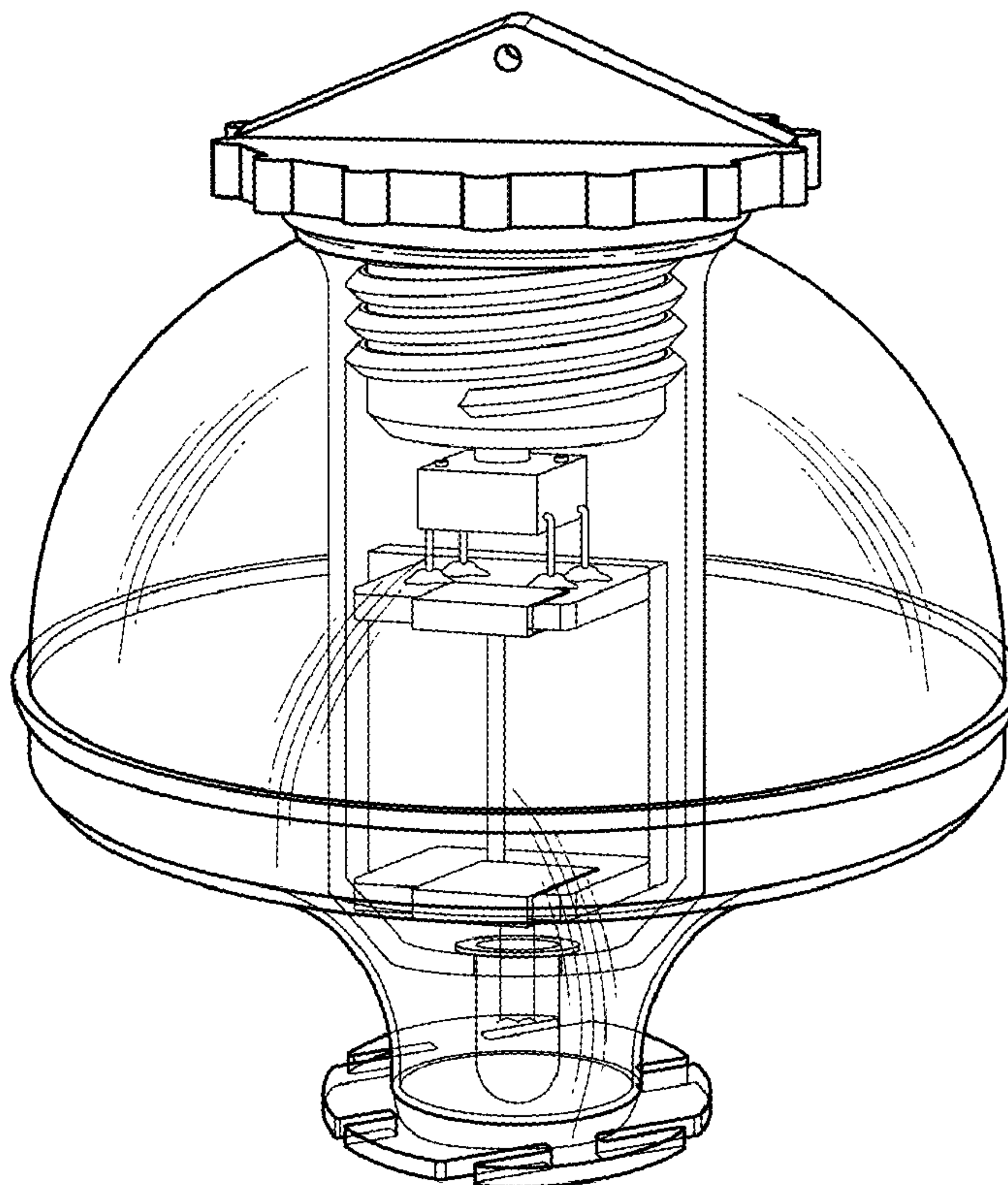
FIG. 1 is a front elevational view of a bait lighting and fish attracting bobber showing my new design.

FIG. 2 is a top plan view of a bait lighting and fish attracting bobber showing my new design.

FIG. 3 is a bottom plan view of a bait lighting and fish attracting bobber showing my new design; and,

FIG. 4 is a an exploded view of a bait lighting and fish attracting bobber showing my new design.

1 Claim, 2 Drawing Sheets



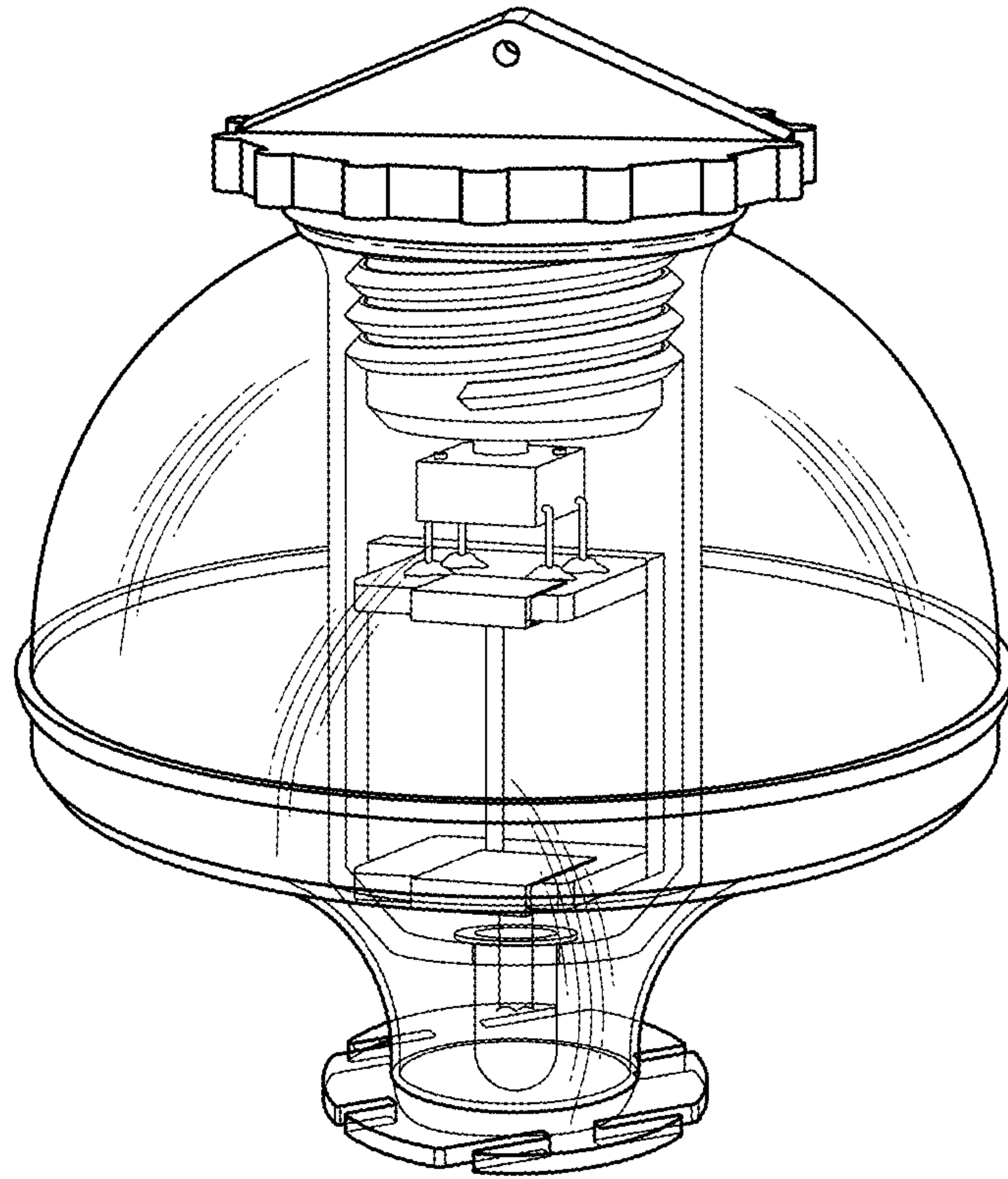


FIG. 1

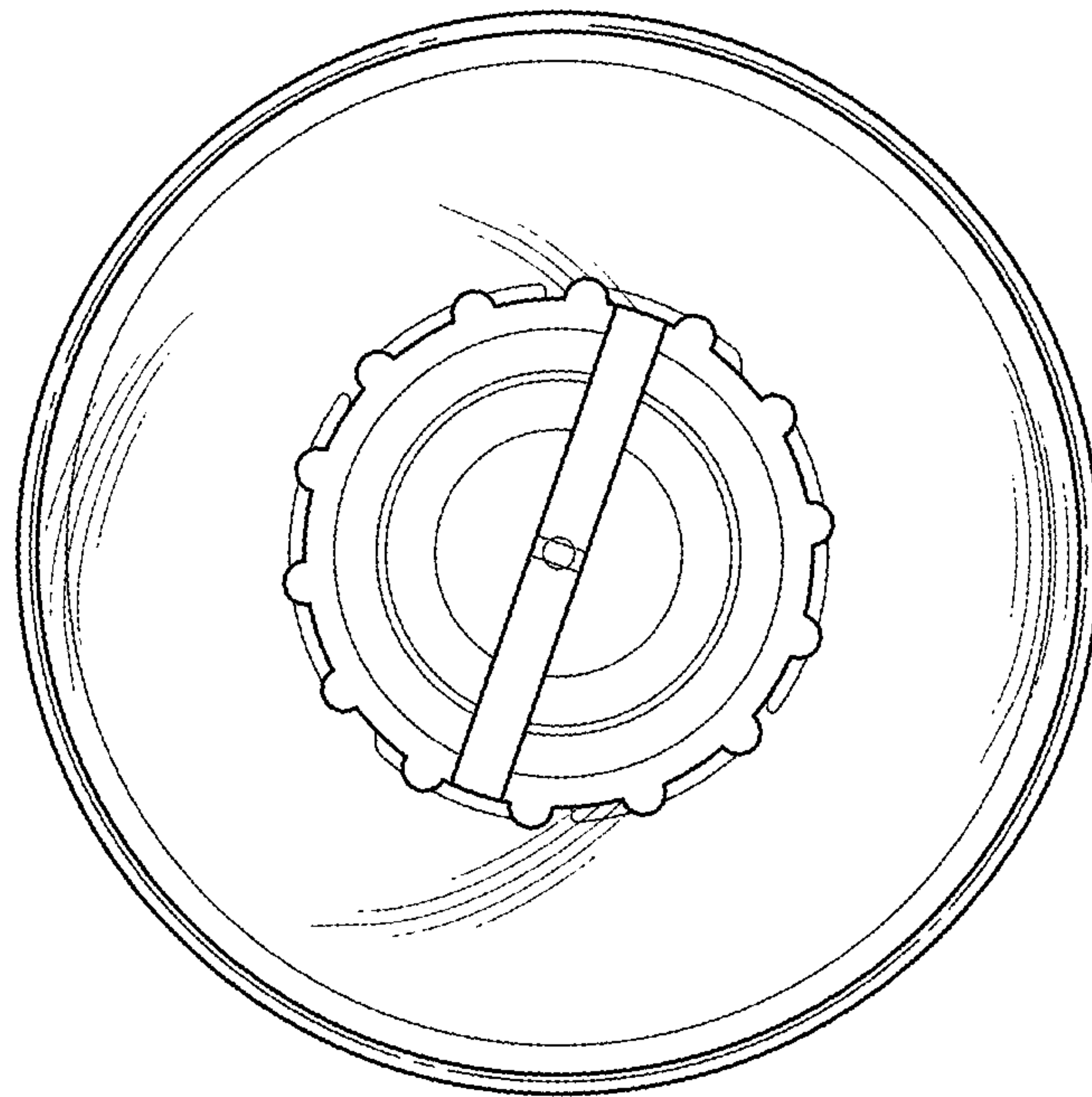


FIG. 2

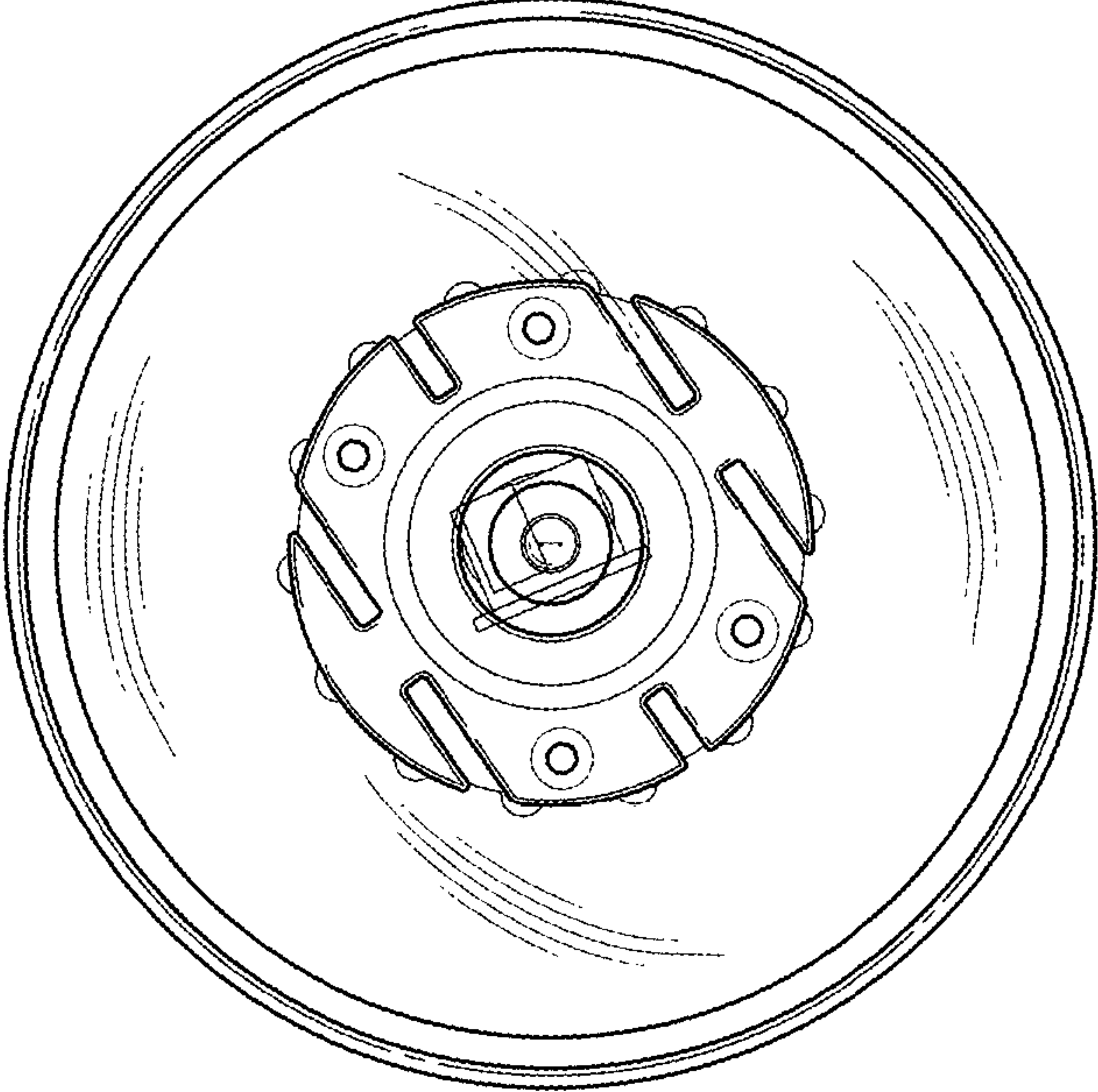


FIG. 3

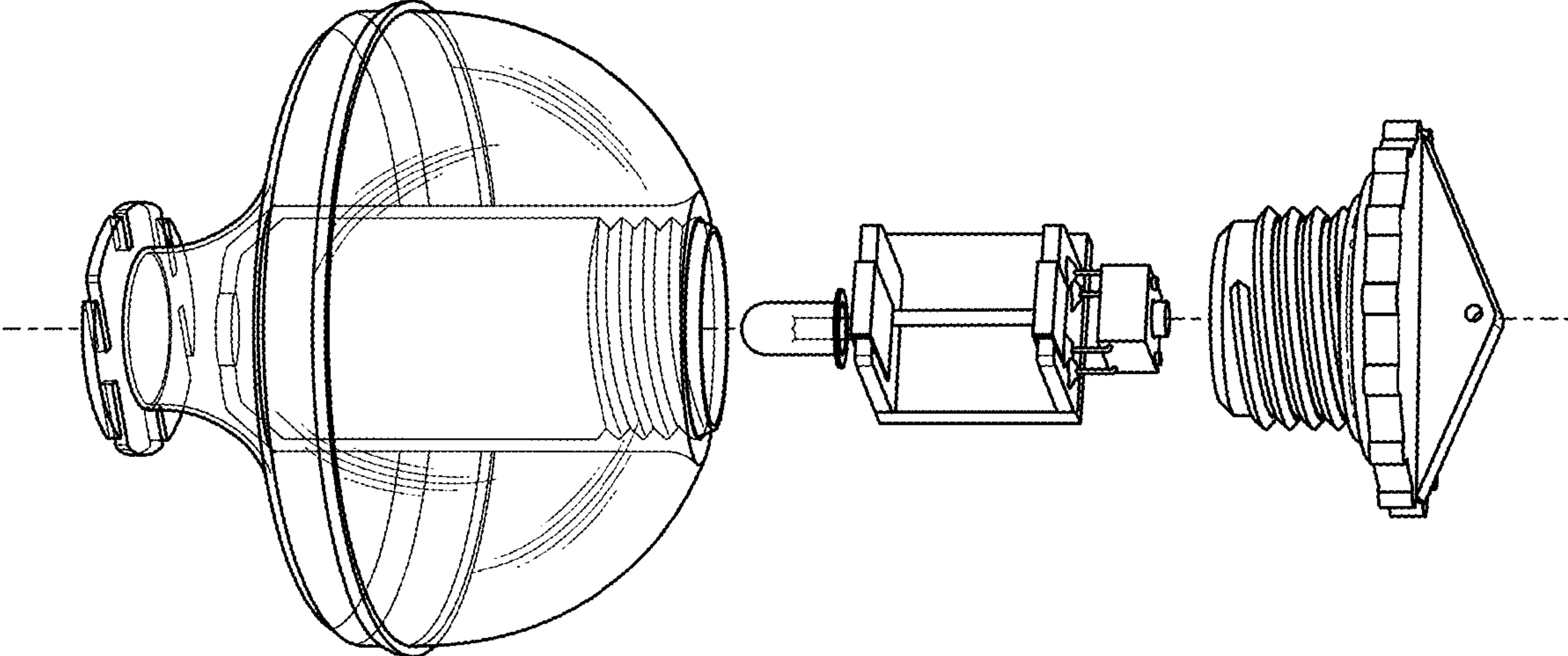


FIG. 4