



US00D768807S

(12) **United States Design Patent**
Valerius

(10) **Patent No.:** **US D768,807 S**

(45) **Date of Patent:** **** Oct. 11, 2016**

(54) **INSECT TRAP HAVING TWO-PIECE OUTER CASING**

(71) Applicant: **Derek W. Valerius**, Desoto, IL (US)

(72) Inventor: **Derek W. Valerius**, Desoto, IL (US)

(**) Term: **14 Years**

(21) Appl. No.: **29/515,818**

(22) Filed: **Jan. 27, 2015**

(51) **LOC (10) Cl.** **22-06**

(52) **U.S. Cl.**
USPC **D22/122**

(58) **Field of Classification Search**
USPC D22/119–124; 43/112–114, 116, 120,
43/122, 124, 131, 132.1
CPC A01M 1/08; A01M 1/145; A01M 1/2005;
A01M 25/004
See application file for complete search history.

(56) **References Cited**

U.S. PATENT DOCUMENTS

- 4,332,100 A * 6/1982 Schneider A01M 1/08
43/113
- 4,700,506 A * 10/1987 Williams A01M 1/145
43/113
- 5,251,397 A * 10/1993 Exum A01M 1/145
43/113
- 6,189,259 B1 * 2/2001 Soller A01M 1/2005
43/131
- D482,099 S 11/2003 Chen
- 7,191,560 B2 3/2007 Harris
- D623,259 S 9/2010 Tsai
- D690,384 S 9/2013 Davis, Jr.

8,701,337 B2 * 4/2014 Kay A01M 25/004
43/131

2002/0020105 A1 2/2002 Sharpe
2004/0159040 A1 8/2004 Chen
2012/0066958 A1 3/2012 McGinnis, Jr.

* cited by examiner

Primary Examiner — Catheri Oliver-Garcia

(74) *Attorney, Agent, or Firm* — Armstrong Teasdale LLP

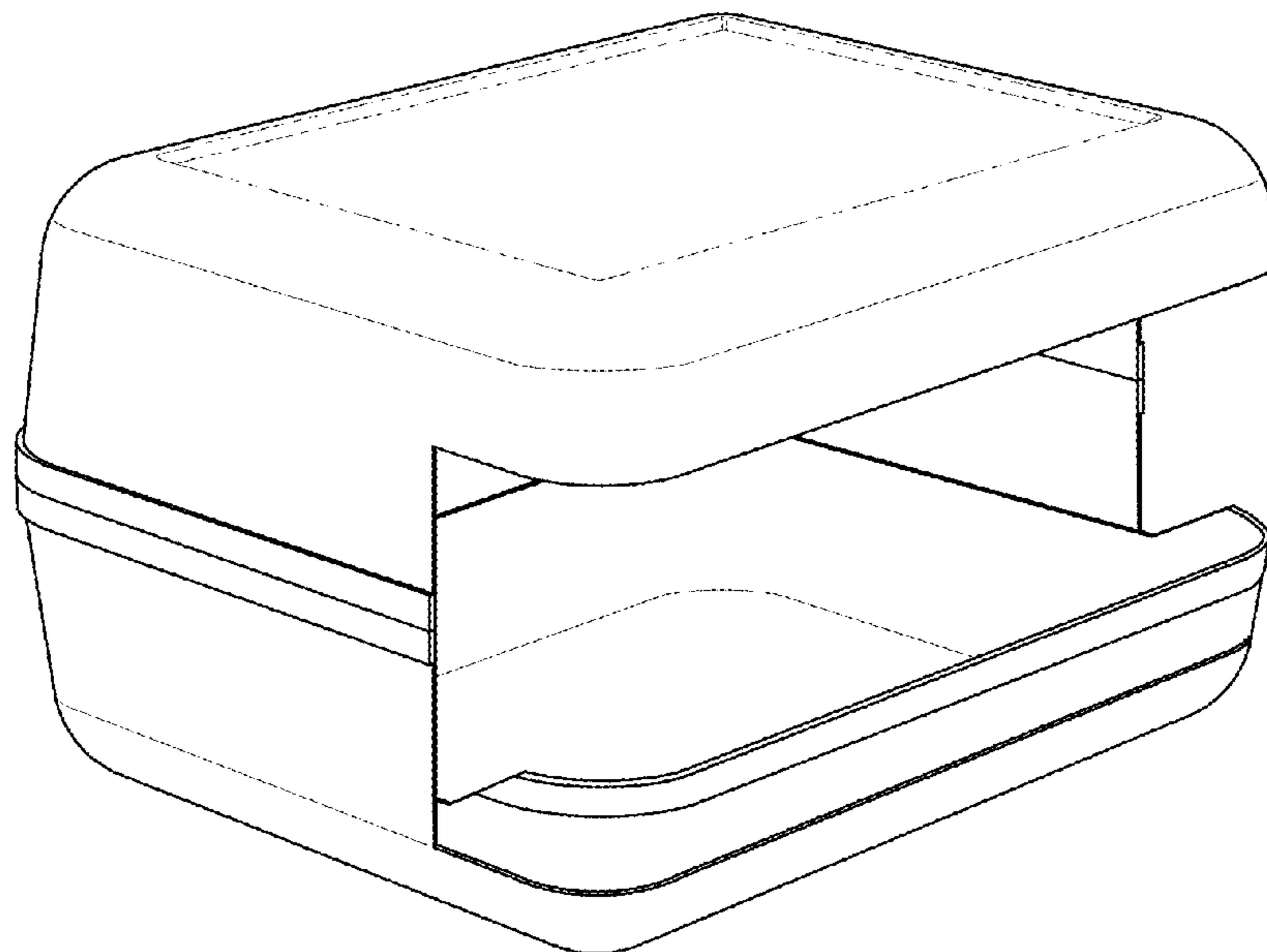
(57) **CLAIM**

I claim the ornamental design for an insect trap having two-piece outer casing, as shown and described.

DESCRIPTION

FIG. 1 is a perspective view of an insect trap having a two-piece outer casing showing my new design; FIG. 2 is a front view of the insect trap shown in FIG. 1; FIG. 3 is a rear view of the insect trap shown in FIG. 1; FIG. 4 is a right side view of the insect trap shown in FIG. 1; FIG. 5 is a left side view of the insect trap shown in FIG. 1; FIG. 6 is a top view of the insect trap shown in FIG. 1; FIG. 7 is a bottom view of the insect trap shown in FIG. 1; and FIG. 8 is an exploded view of the insect trap shown in FIG. 1; and, FIG. 9 is another perspective view of the insect trap shown in FIG. 1 with environmental features shown in broken lines. In these drawings, the solid lines illustrate the claimed ornamental design, whereas the broken lines illustrate unclaimed environmental features and form no part of the claimed design.

1 Claim, 9 Drawing Sheets



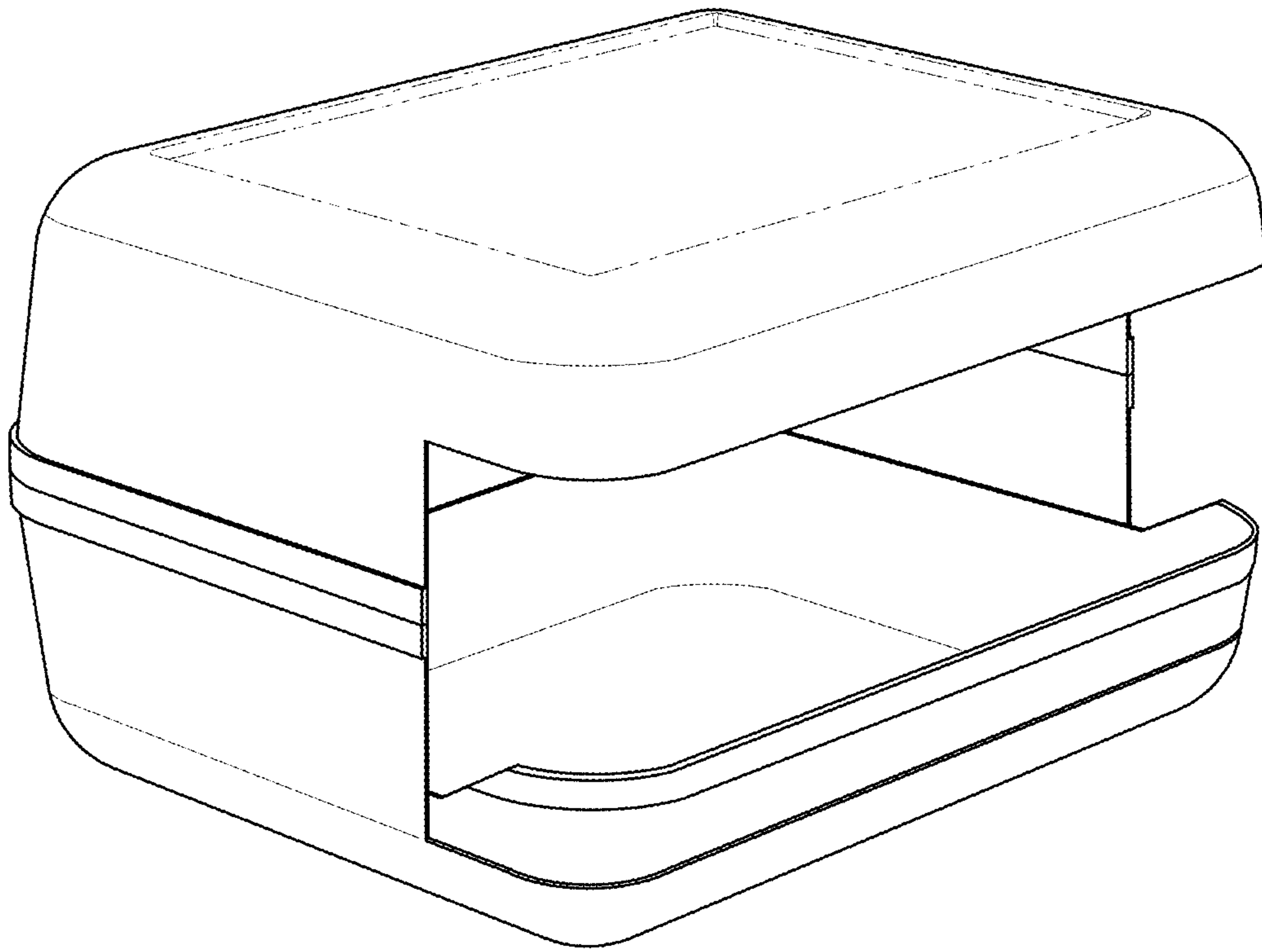


FIG. 1

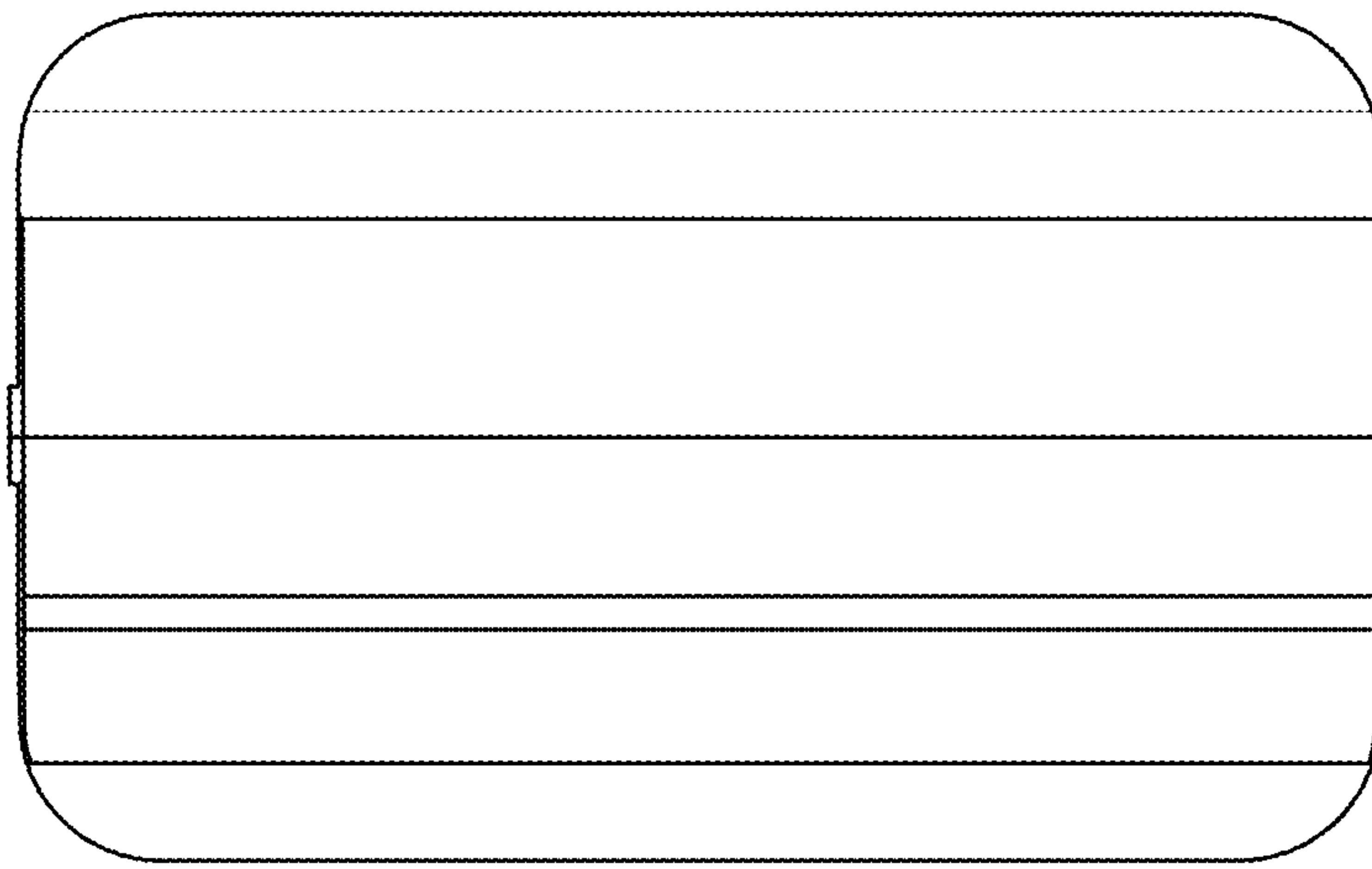


FIG. 2

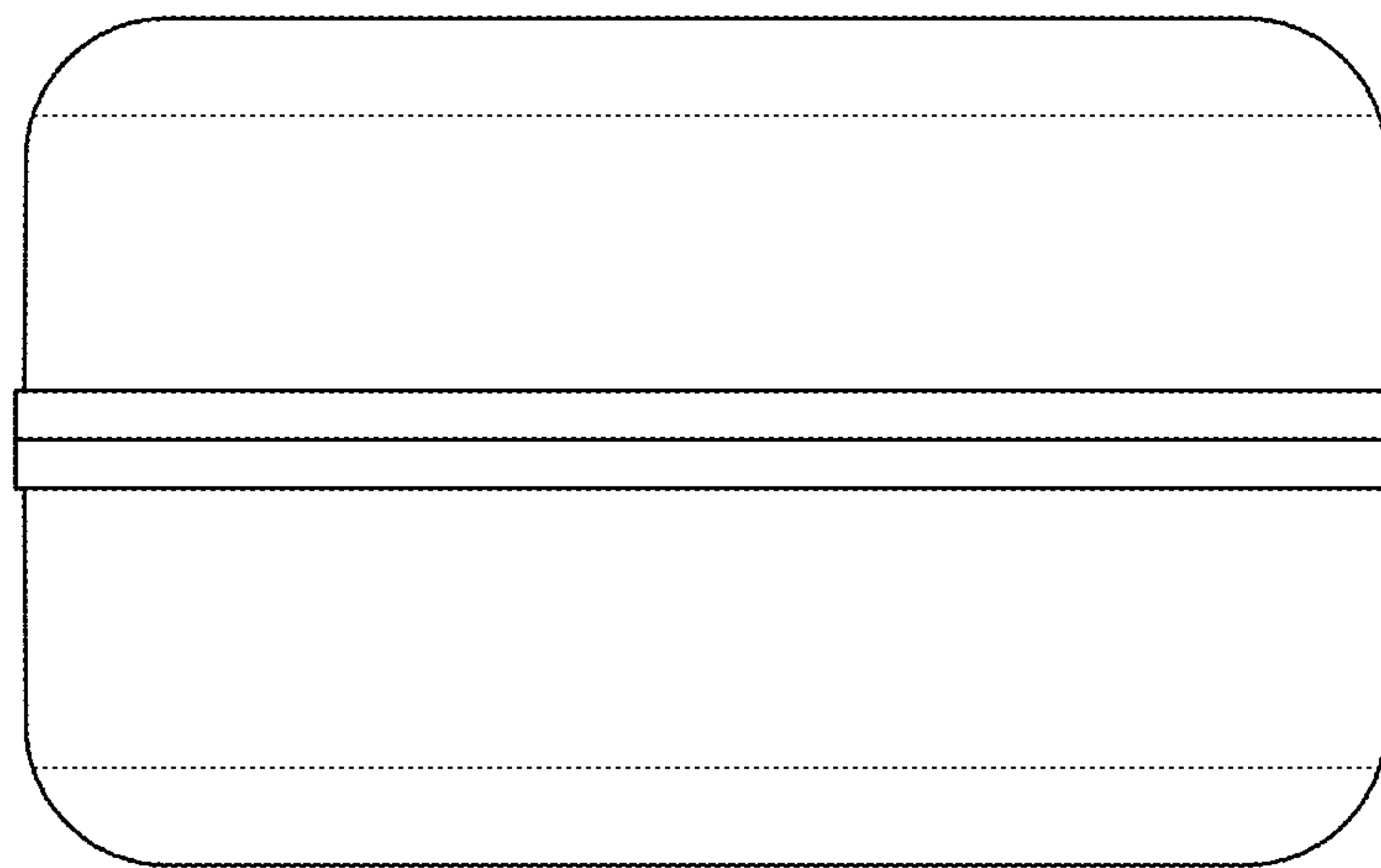


FIG. 3

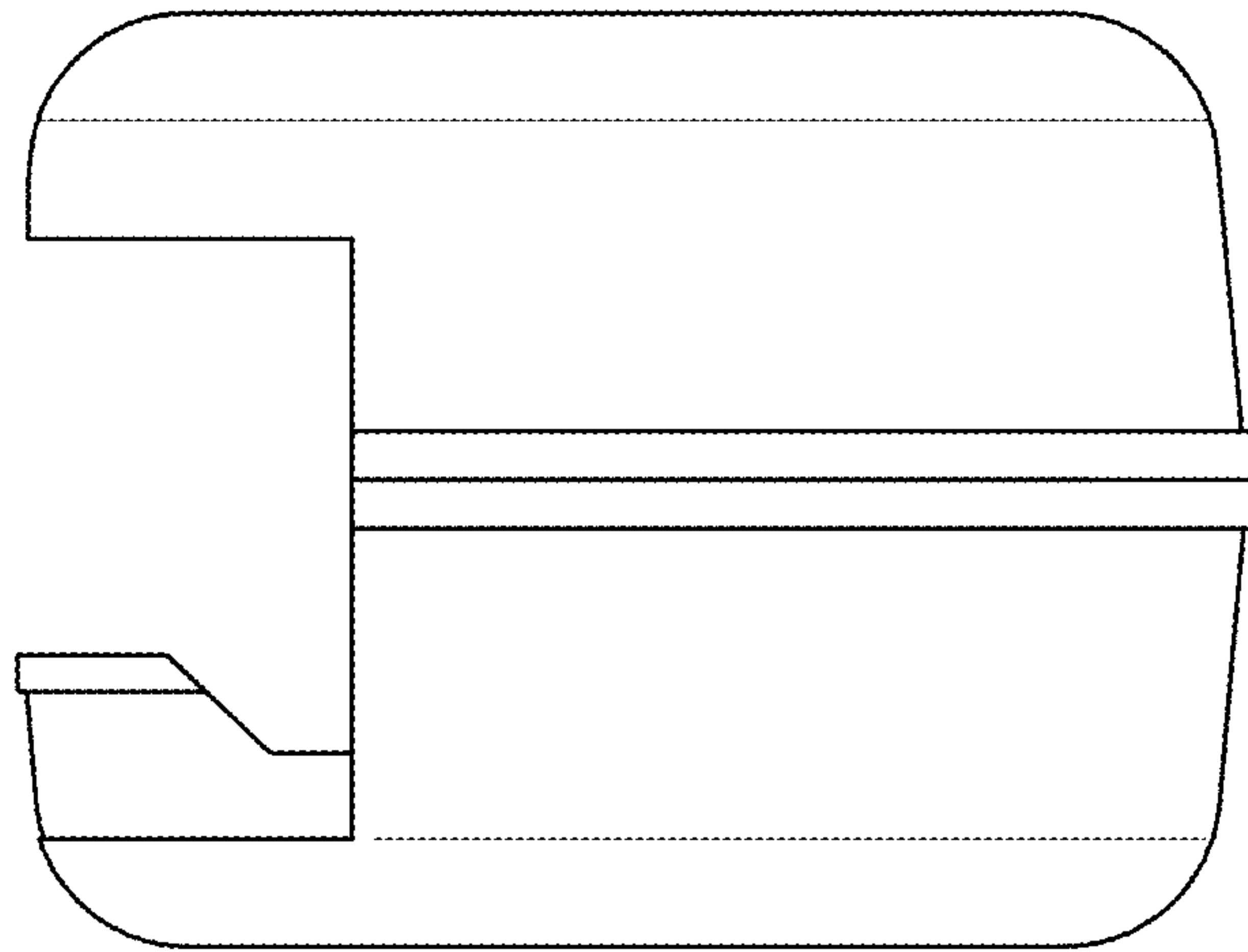


FIG. 4

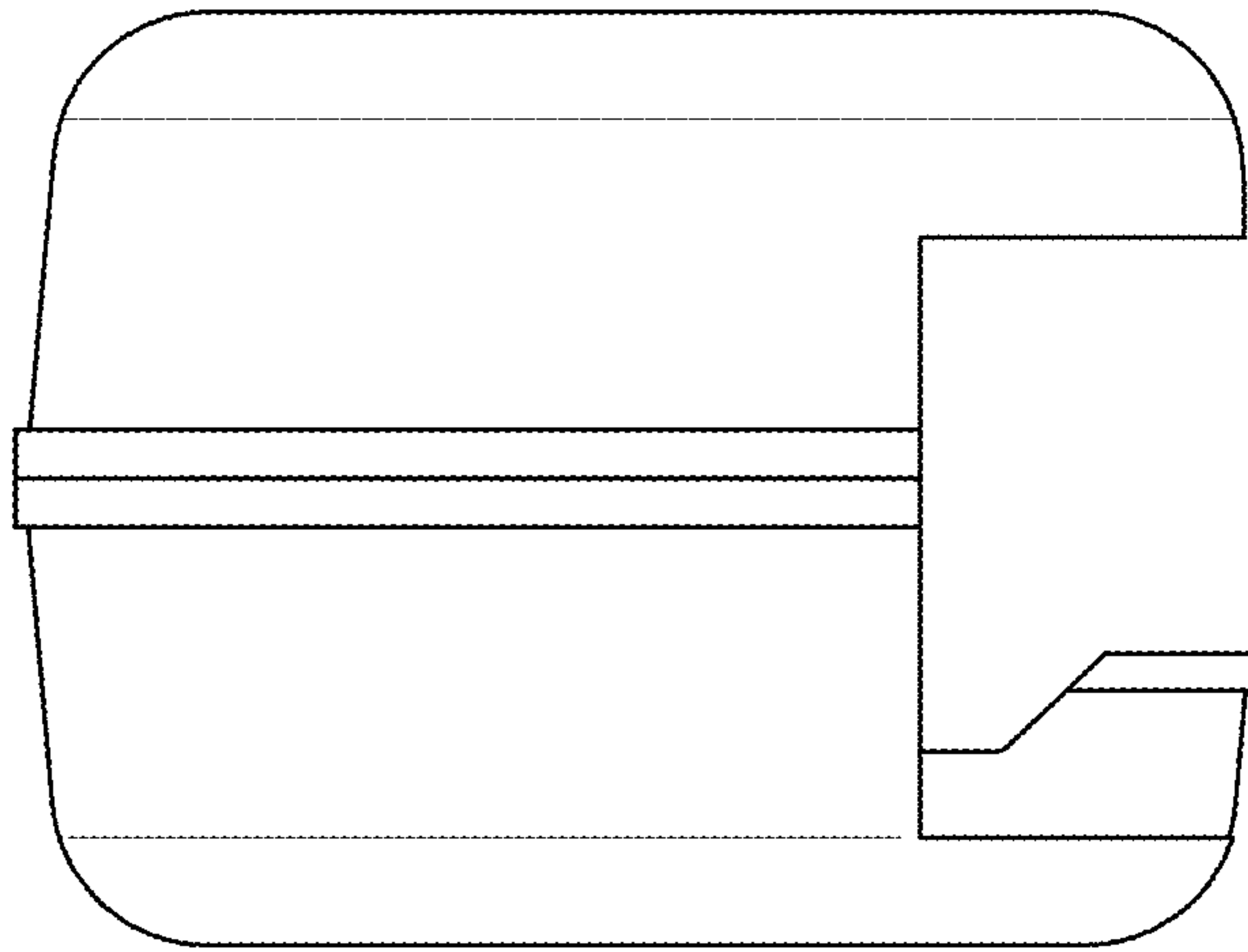


FIG. 5

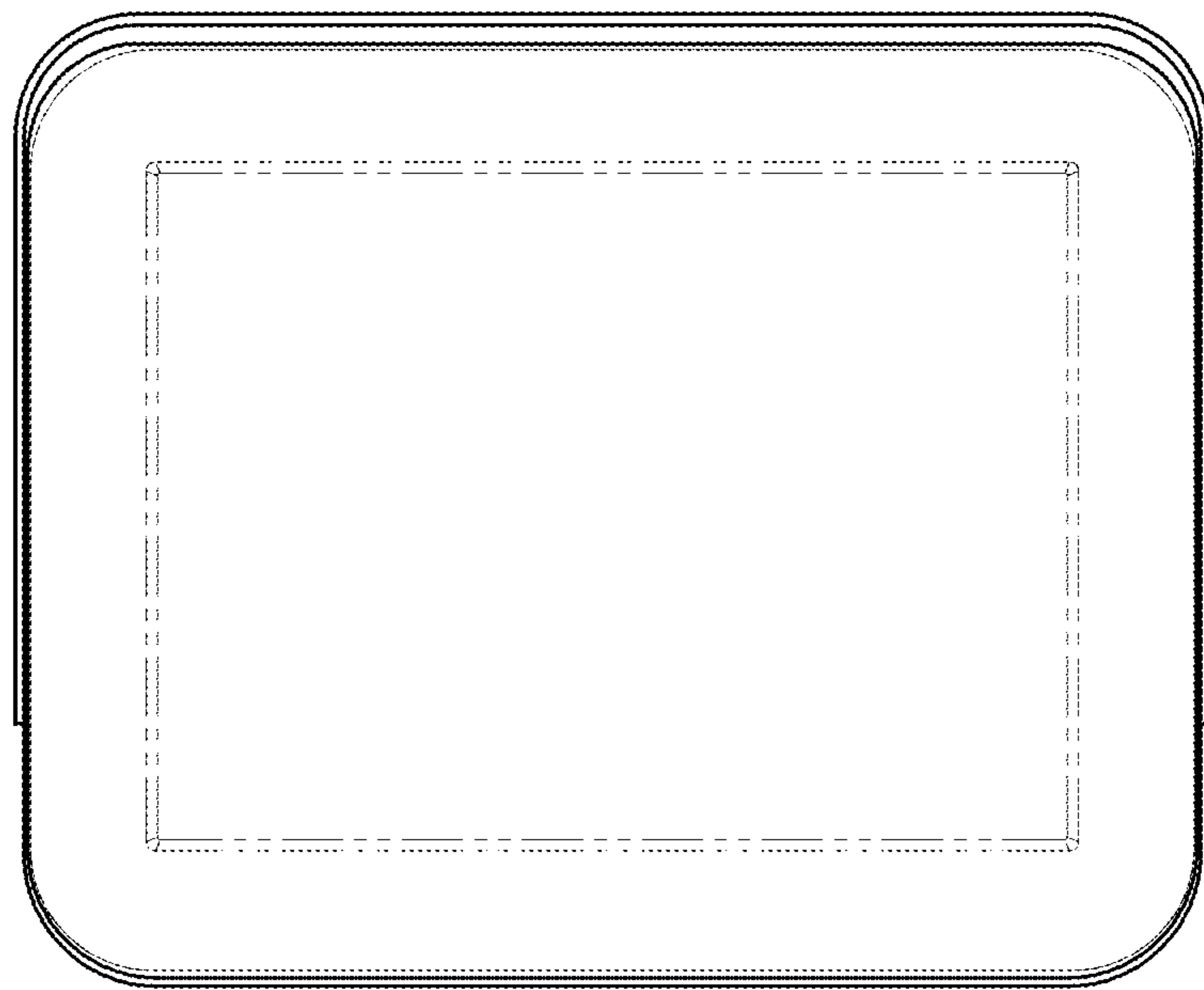


FIG. 6

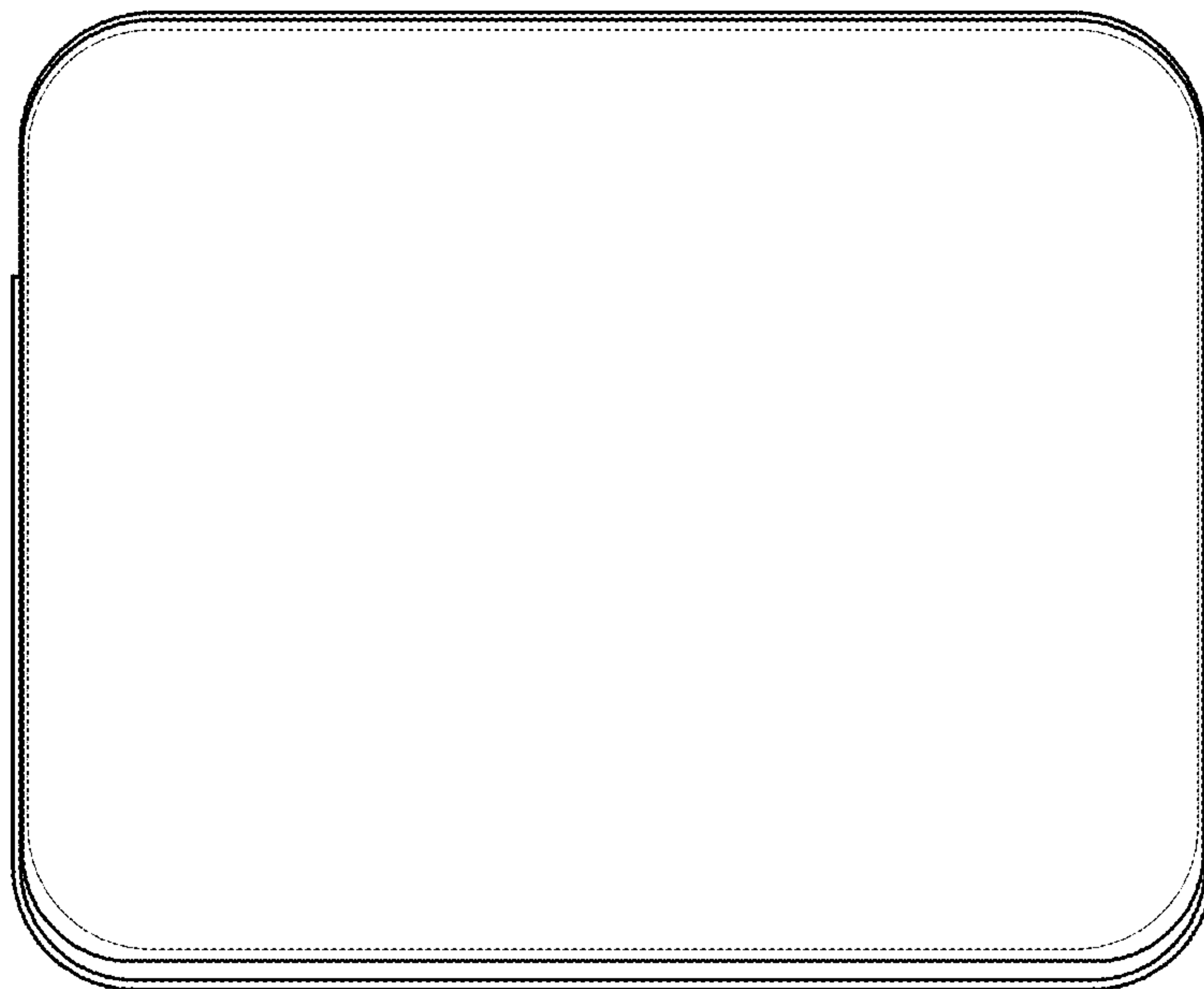


FIG. 7

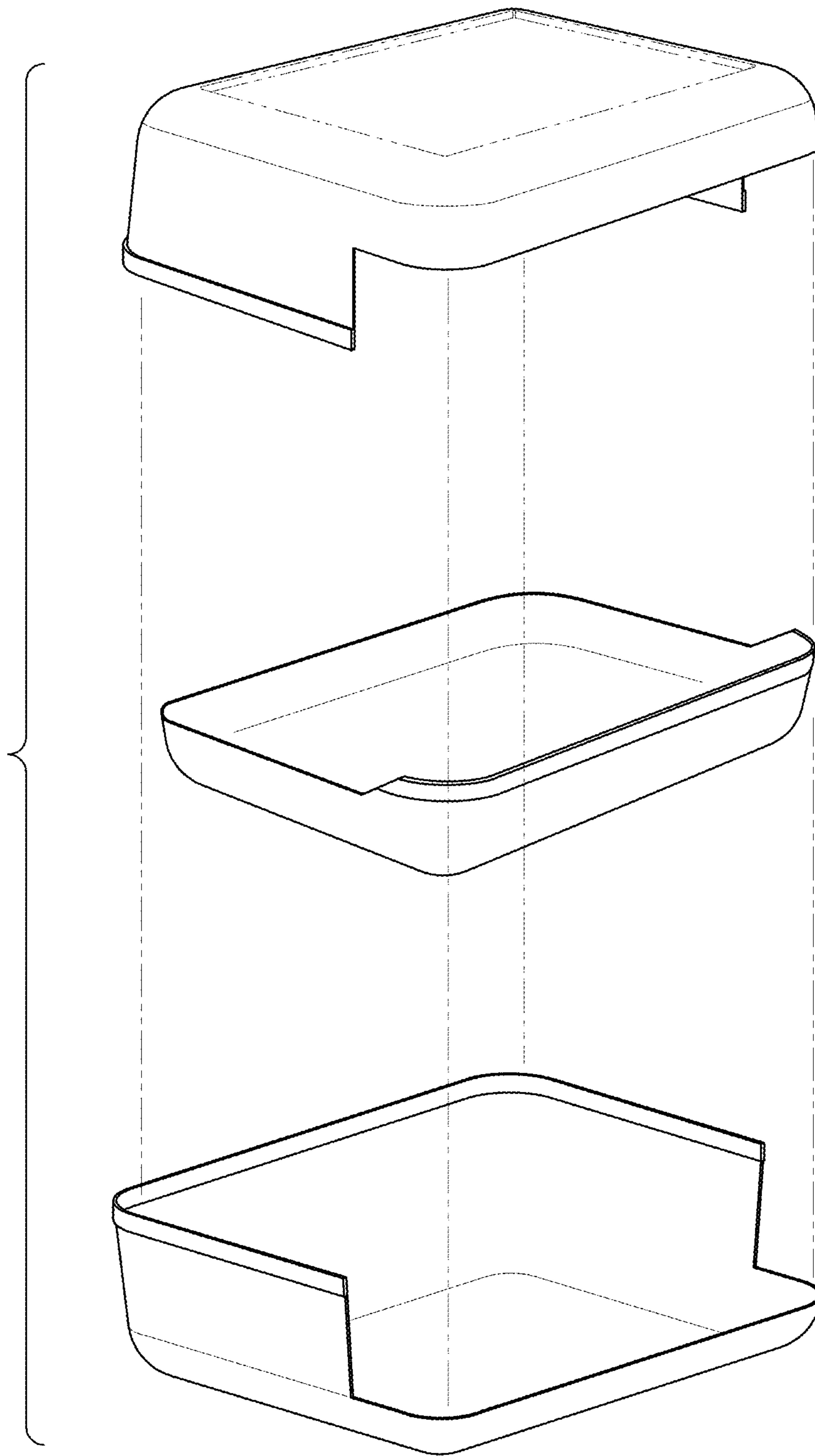


FIG. 8

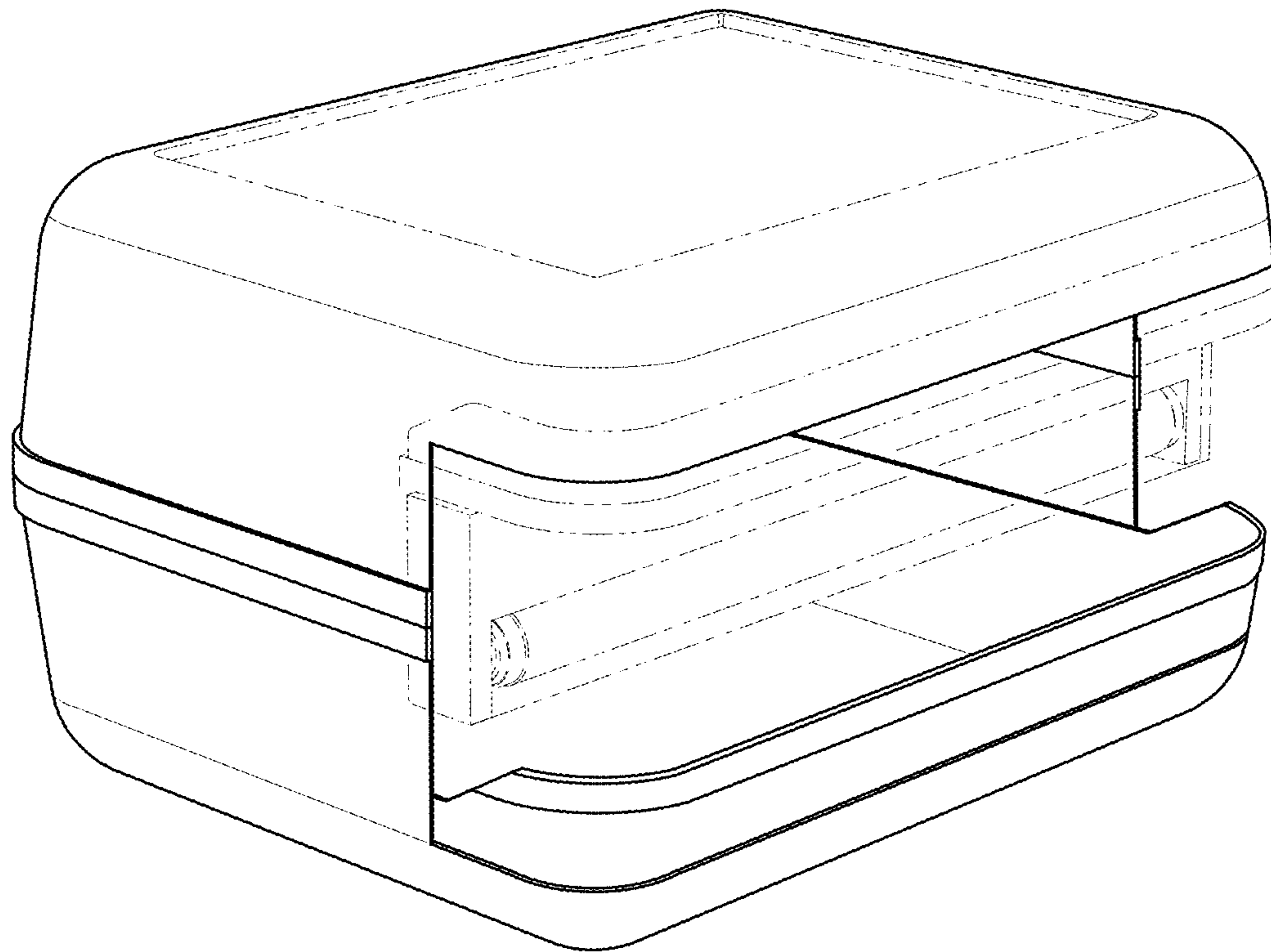


FIG. 9