



US00D768806S

(12) **United States Design Patent**
Wu

(10) **Patent No.:** **US D768,806 S**

(45) **Date of Patent:** **** Oct. 11, 2016**

- (54) **ULTRASONIC RAT REPELLENT**
- (71) Applicant: **Chih-Hsien Wu**, Taipei (TW)
- (72) Inventor: **Chih-Hsien Wu**, Taipei (TW)
- (**) Term: **15 Years**
- (21) Appl. No.: **29/541,796**
- (22) Filed: **Oct. 8, 2015**
- (51) **LOC (10) Cl.** **22-06**
- (52) **U.S. Cl.**
USPC **D22/120**
- (58) **Field of Classification Search**
USPC D22/118, 119, 120, 122; D23/366, 367,
D23/368, 369; D10/2
CPC F16M 13/02; A01M 25/002; E04B 1/72
See application file for complete search history.

D639,466 S *	6/2011	Feuerstein	D22/120
D641,896 S *	7/2011	Weiser	D22/120
D641,897 S *	7/2011	Weiser	D22/120
D669,151 S *	10/2012	Frisch	D22/122
D681,769 S *	5/2013	Jan	D22/120
D681,770 S *	5/2013	Jan	D22/120
D723,654 S *	3/2015	Liu	D22/120
D754,278 S *	4/2016	Finkel	D22/119

* cited by examiner

Primary Examiner — Manpreet Matharu

Assistant Examiner — Suzanne Tisdell

(74) *Attorney, Agent, or Firm* — Leong C. Lei

(57) **CLAIM**

The ornamental design for an ultrasonic rat repellent, as shown and described.

DESCRIPTION

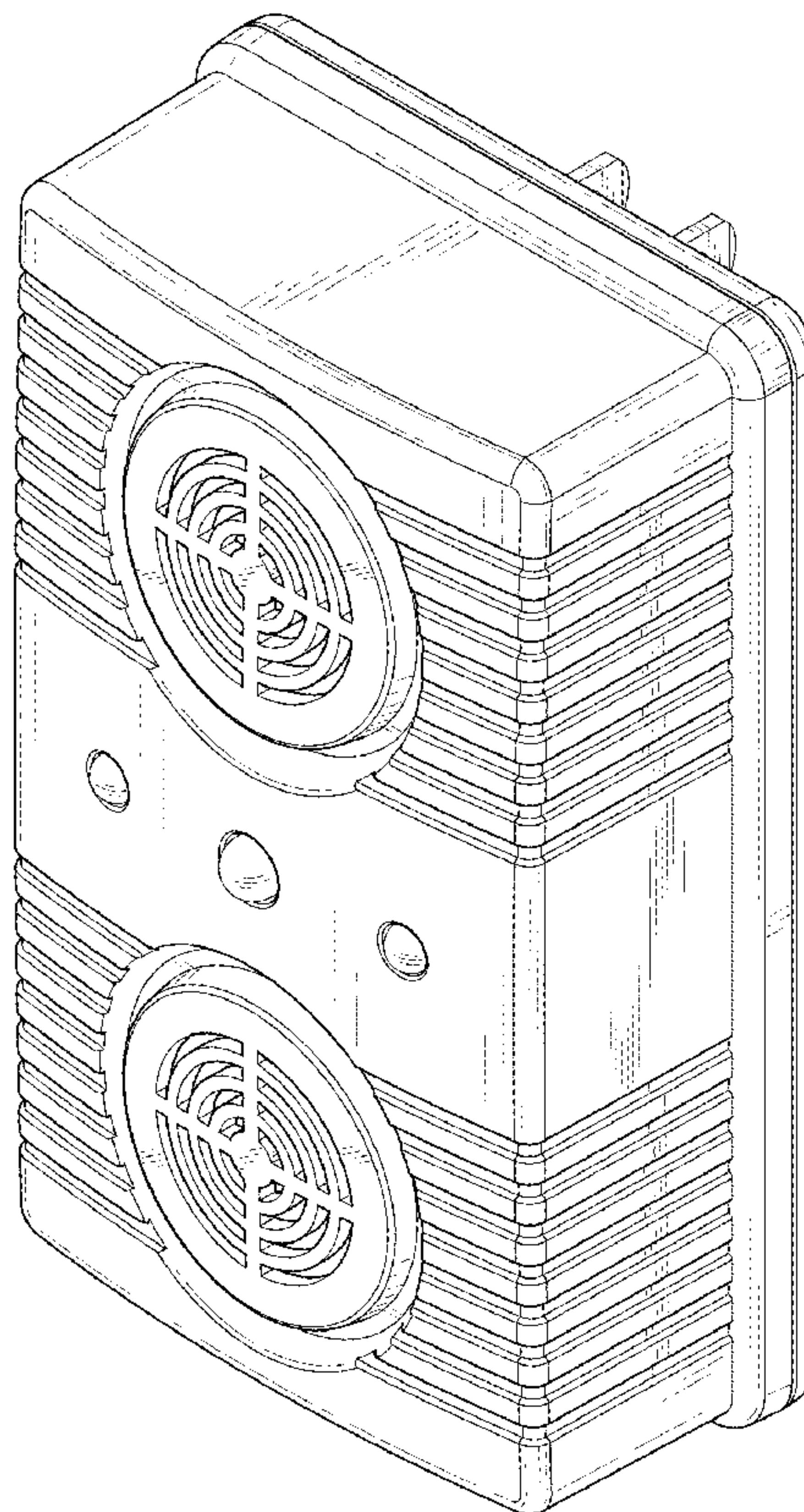
FIG. 1 is a front perspective view of an ultrasonic rat repellent showing my new design;
 FIG. 2 is a front elevational view thereof;
 FIG. 3 is a rear elevational view thereof;
 FIG. 4 is a left elevational view thereof;
 FIG. 5 is a right elevational view thereof;
 FIG. 6 is a top plan view thereof;
 FIG. 7 is a bottom plan view thereof; and,
 FIG. 8 is a rear perspective view thereof.

1 Claim, 7 Drawing Sheets

(56) **References Cited**

U.S. PATENT DOCUMENTS

D410,062 S *	5/1999	Jan	D22/120
D440,274 S *	4/2001	Davis	D22/120
D469,147 S *	1/2003	Levine	D22/120
D469,149 S *	1/2003	Levine	D22/120
D469,499 S *	1/2003	Levine	D10/2
D528,184 S *	9/2006	Yuen	D22/120
D558,296 S *	12/2007	Krause	D22/120
D630,702 S *	1/2011	Levine	D22/120
D638,507 S *	5/2011	Feuerstein	D22/120



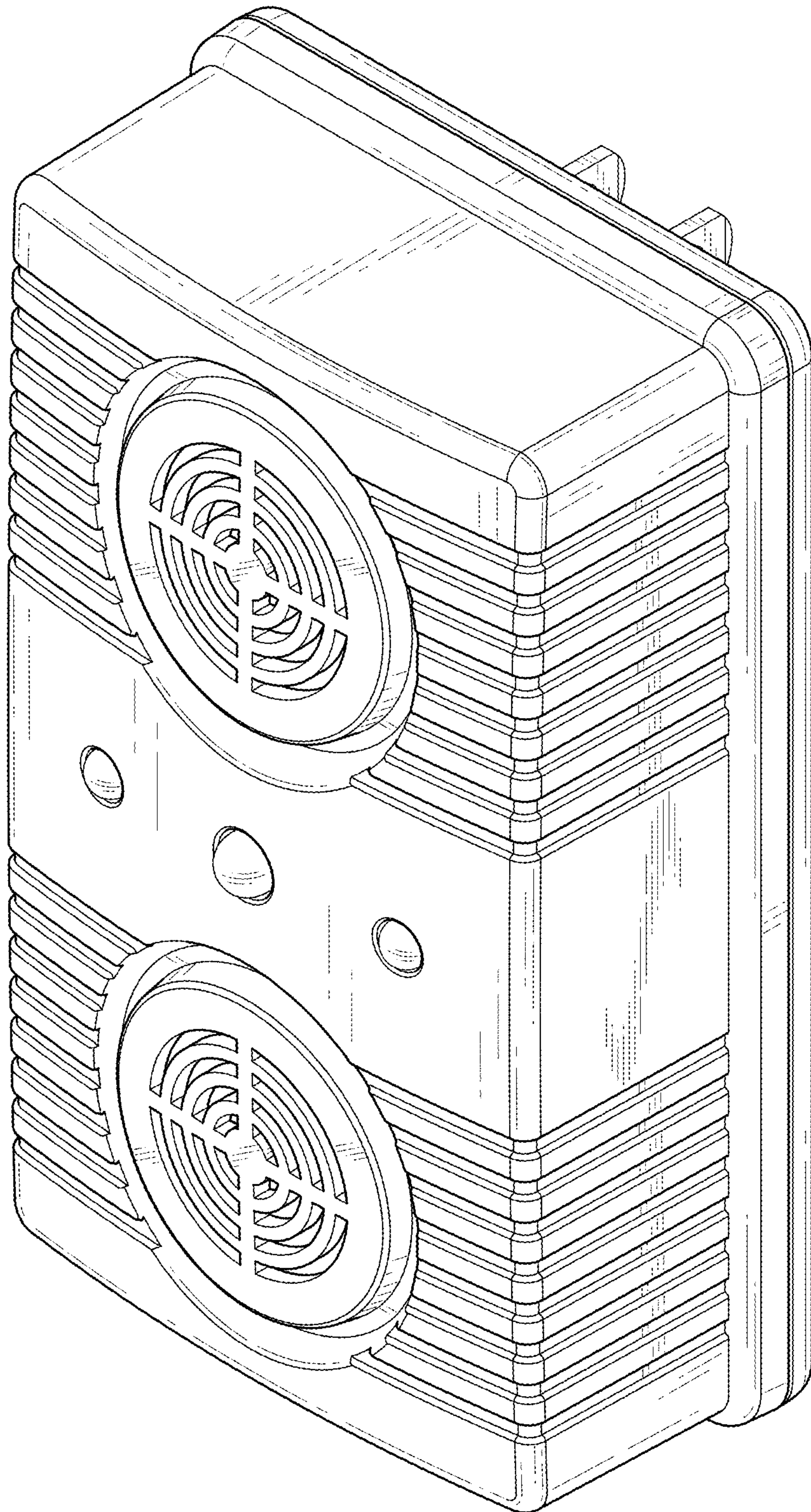


FIG.1

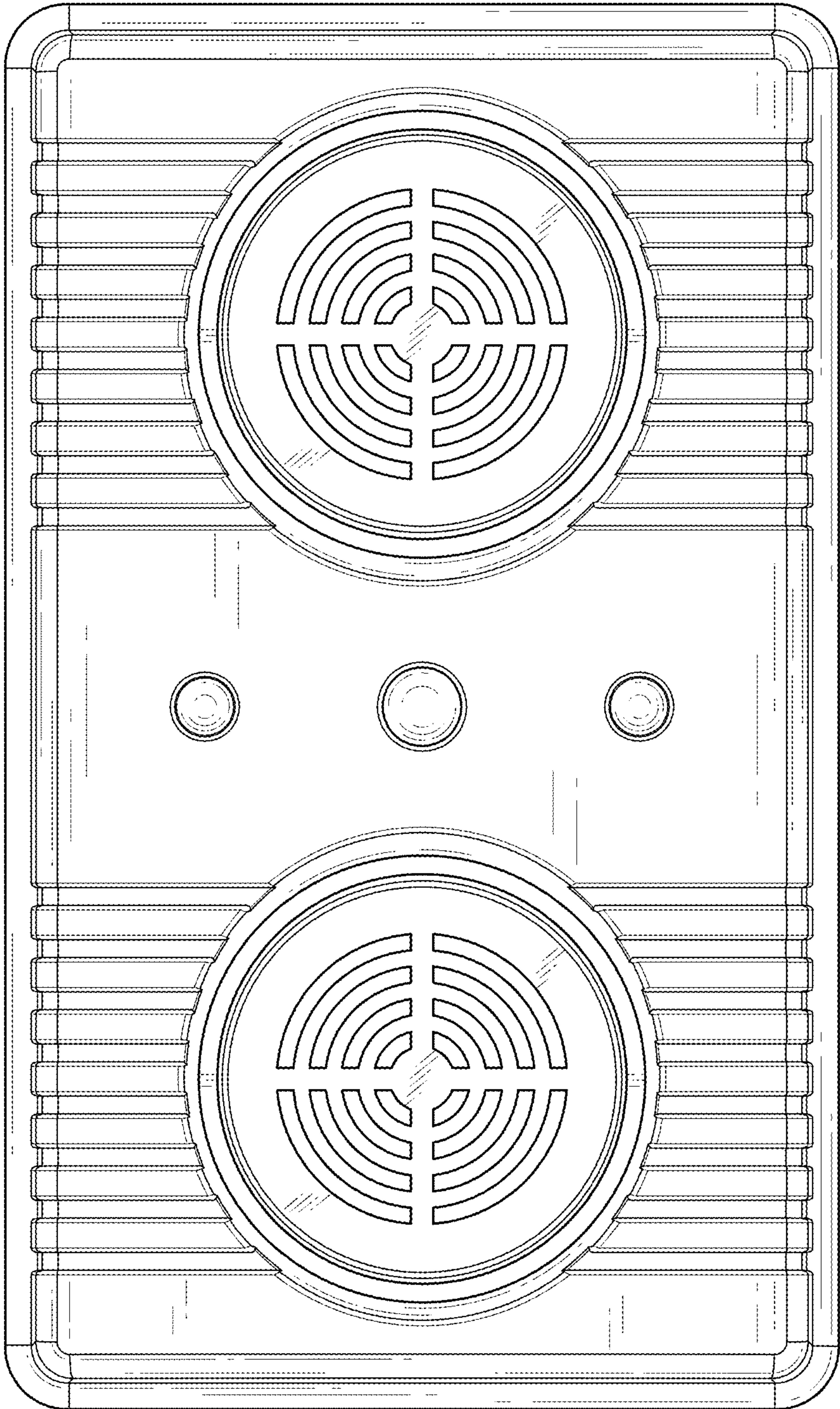


FIG.2

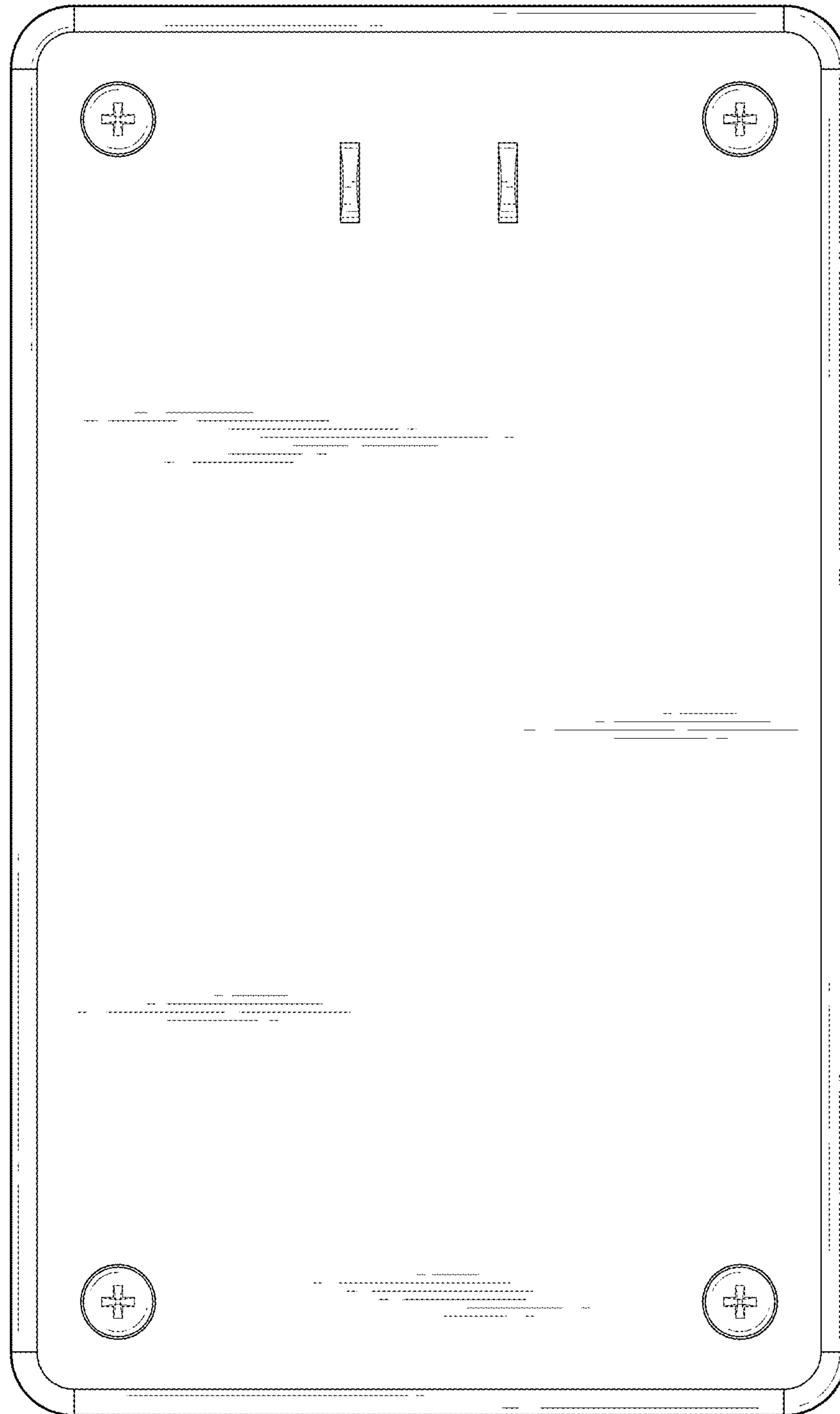


FIG. 3

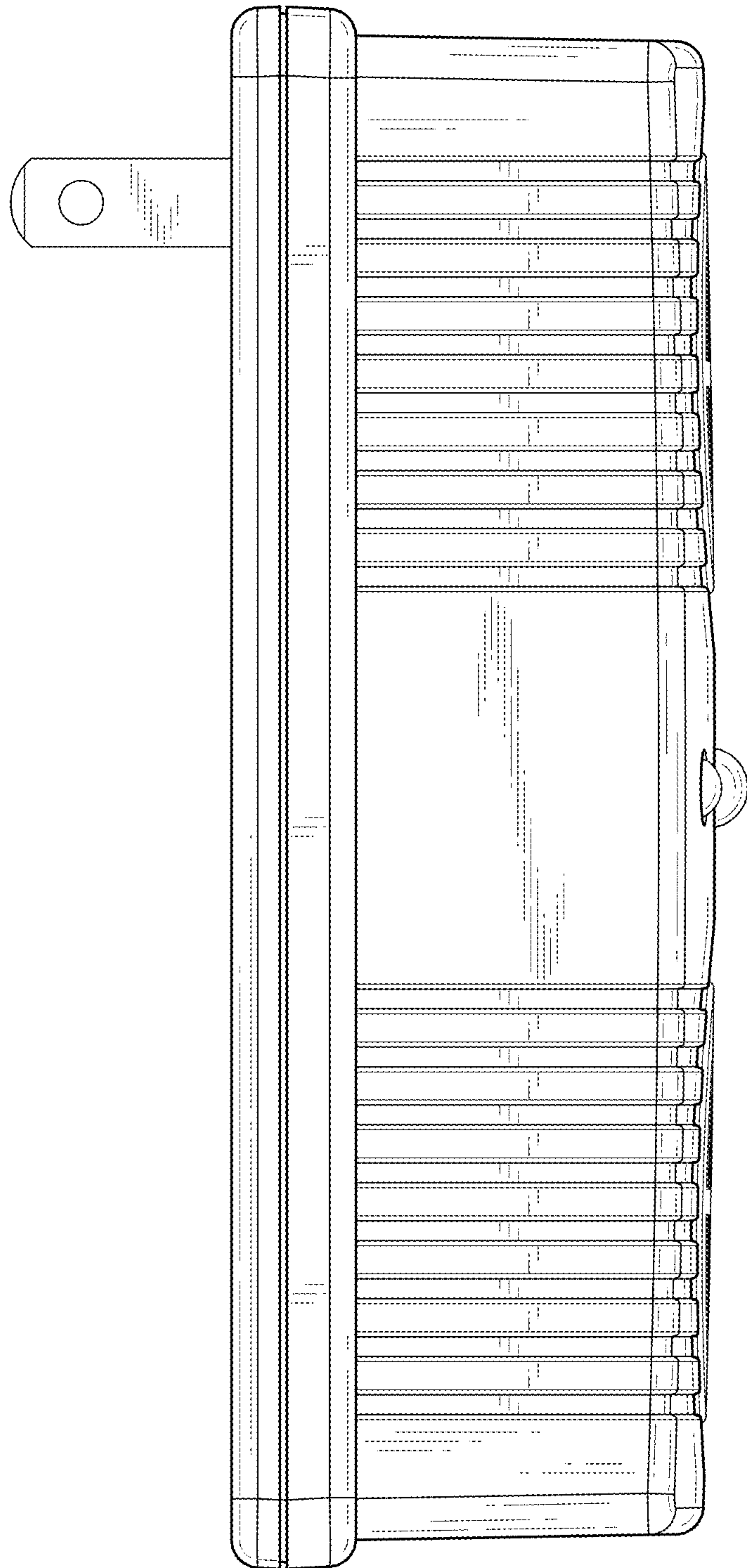


FIG.4

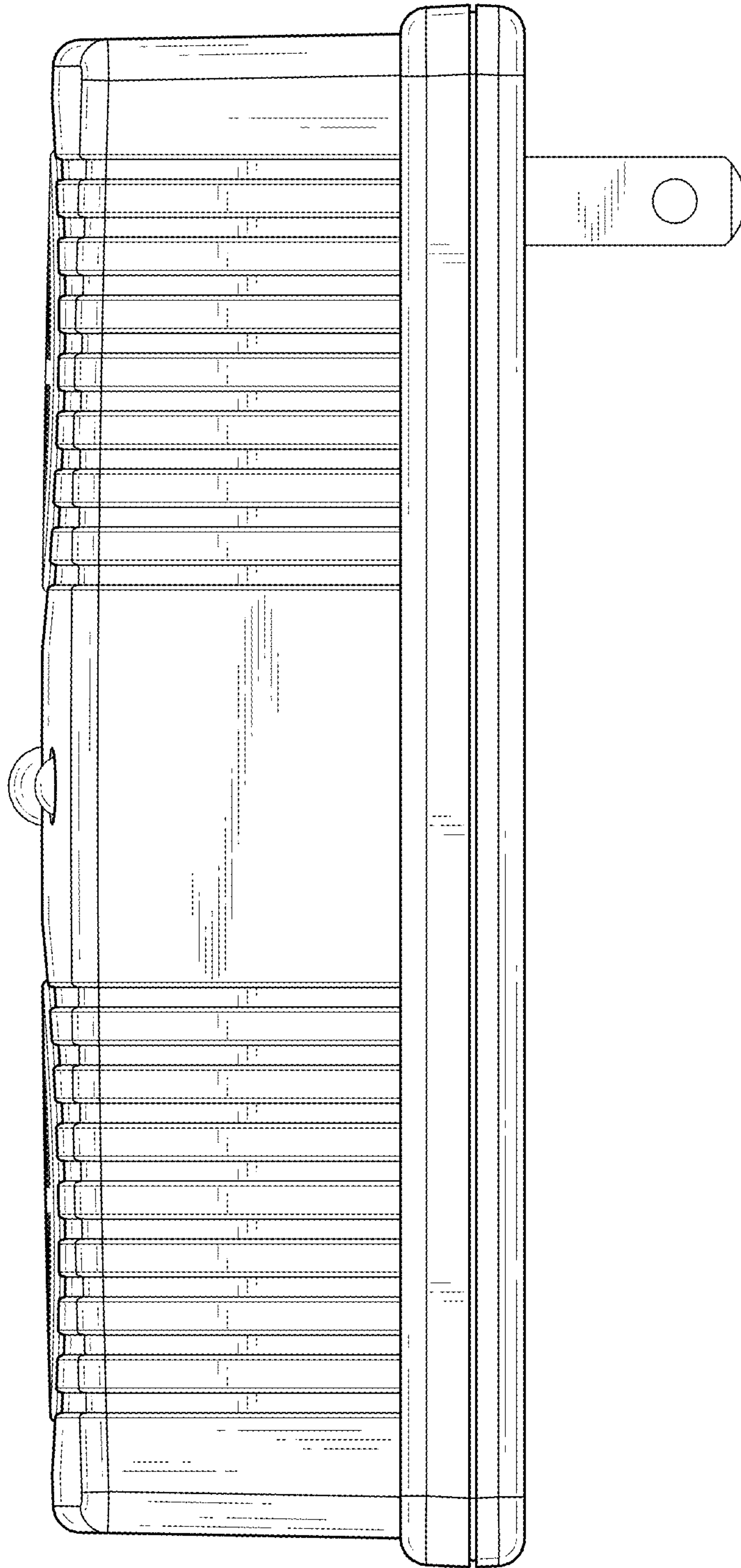


FIG.5

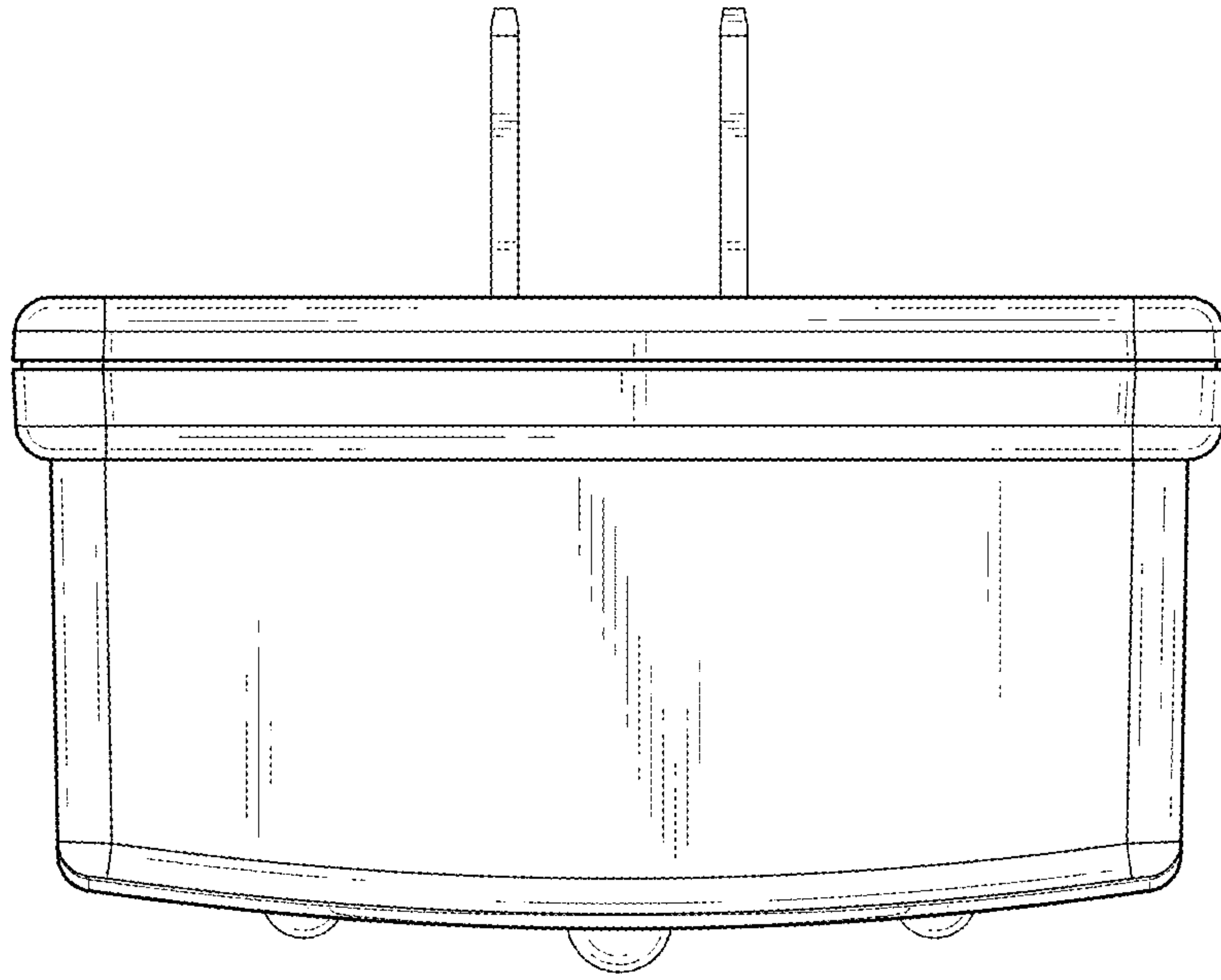


FIG. 6

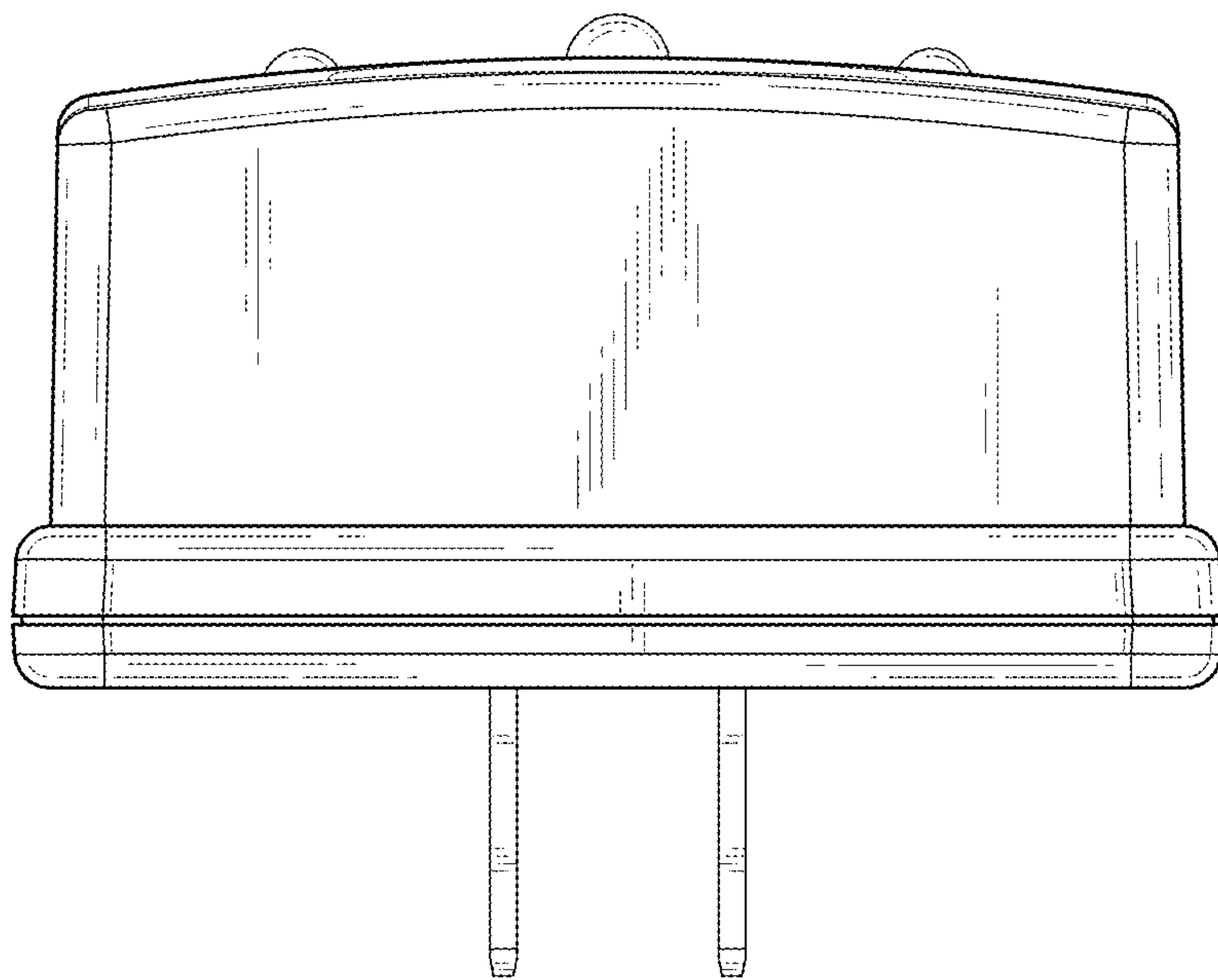


FIG. 7

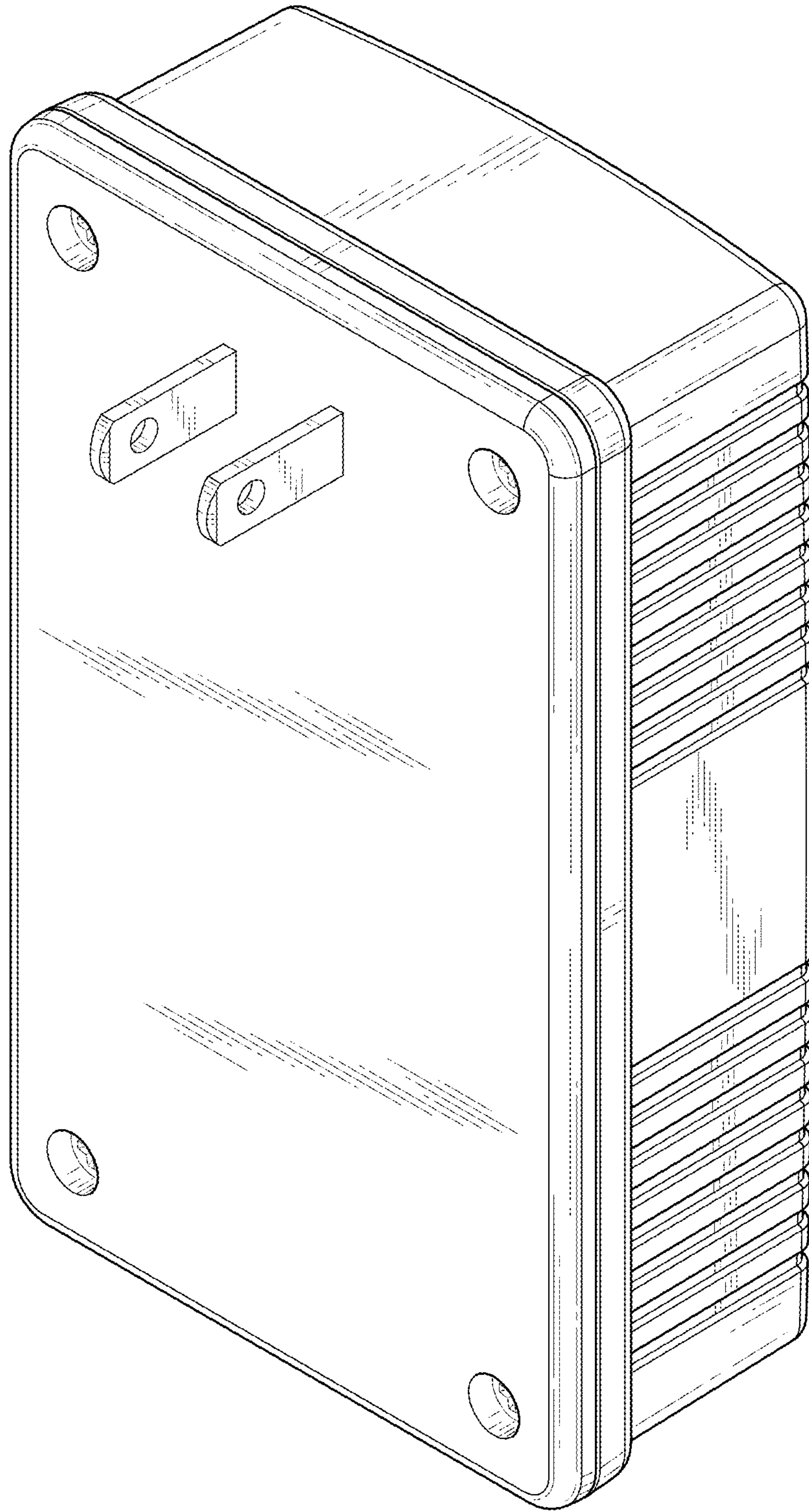


FIG.8