



US00D768805S

(12) **United States Design Patent** (10) **Patent No.:** **US D768,805 S**
Wu (45) **Date of Patent:** **** Oct. 11, 2016**

(54) **ULTRASONIC RAT REPELLENT**
(71) Applicant: **Chih-Hsien Wu**, Taipei (TW)
(72) Inventor: **Chih-Hsien Wu**, Taipei (TW)
(**) Term: **15 Years**
(21) Appl. No.: **29/541,795**
(22) Filed: **Oct. 8, 2015**
(51) **LOC (10) Cl.** **22-06**
(52) **U.S. Cl.**
USPC **D22/120**
(58) **Field of Classification Search**
USPC D22/118, 119, 120, 122; D23/366, 367,
D23/368, 369; D10/2
CPC F16M 13/02; A01M 25/002; E04B 1/72
See application file for complete search history.

D639,466 S * 6/2011 Feuerstein D22/120
D641,896 S * 7/2011 Weiser D22/120
D641,897 S * 7/2011 Weiser D22/120
D669,151 S * 10/2012 Frisch D22/122
D681,769 S * 5/2013 Jan D22/120
D681,770 S * 5/2013 Jan D22/120
D723,654 S * 3/2015 Liu D22/120
D754,278 S * 4/2016 Finkel D22/119

* cited by examiner

Primary Examiner — Manpreet Matharu

Assistant Examiner — Suzanne Tisdell

(74) *Attorney, Agent, or Firm* — Leong C. Lei

(57) **CLAIM**

The ornamental design for an ultrasonic rat repellent, as shown and described.

DESCRIPTION

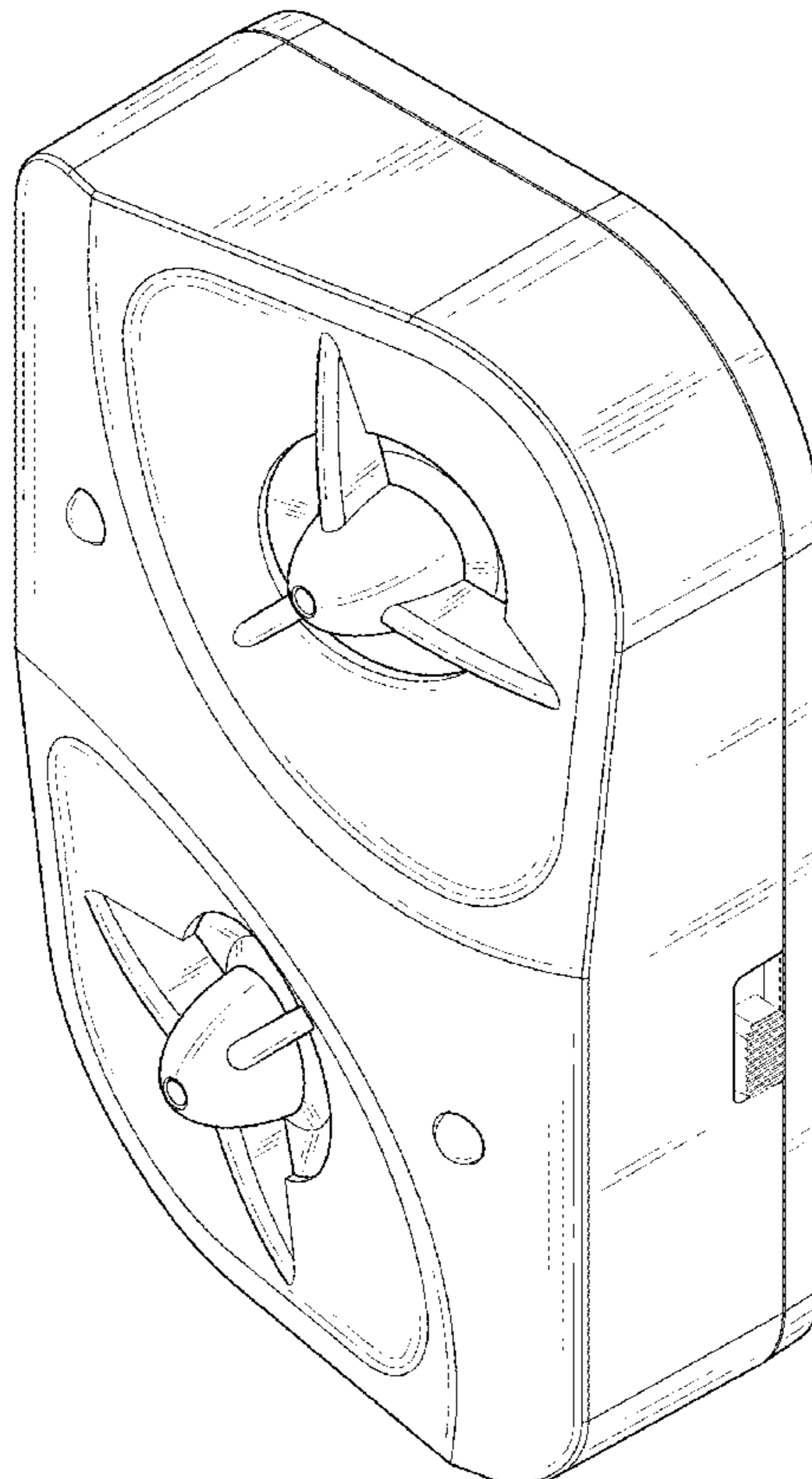
FIG. 1 is a front perspective view of an ultrasonic rat repellent showing my new design;
FIG. 2 is a front elevational view thereof;
FIG. 3 is a rear elevational view thereof;
FIG. 4 is a left elevational view thereof;
FIG. 5 is a right elevational view thereof;
FIG. 6 is a top plan view thereof;
FIG. 7 is a bottom plan view thereof; and,
FIG. 8 is a rear perspective view thereof.

1 Claim, 7 Drawing Sheets

(56) **References Cited**

U.S. PATENT DOCUMENTS

D410,062 S * 5/1999 Jan D22/120
D440,274 S * 4/2001 Davis D22/120
D469,147 S * 1/2003 Levine D22/120
D469,149 S * 1/2003 Levine D22/120
D469,499 S * 1/2003 Levine D10/2
D528,184 S * 9/2006 Yuen D22/120
D558,296 S * 12/2007 Krause D22/120
D630,702 S * 1/2011 Levine D22/120
D638,507 S * 5/2011 Feuerstein D22/120



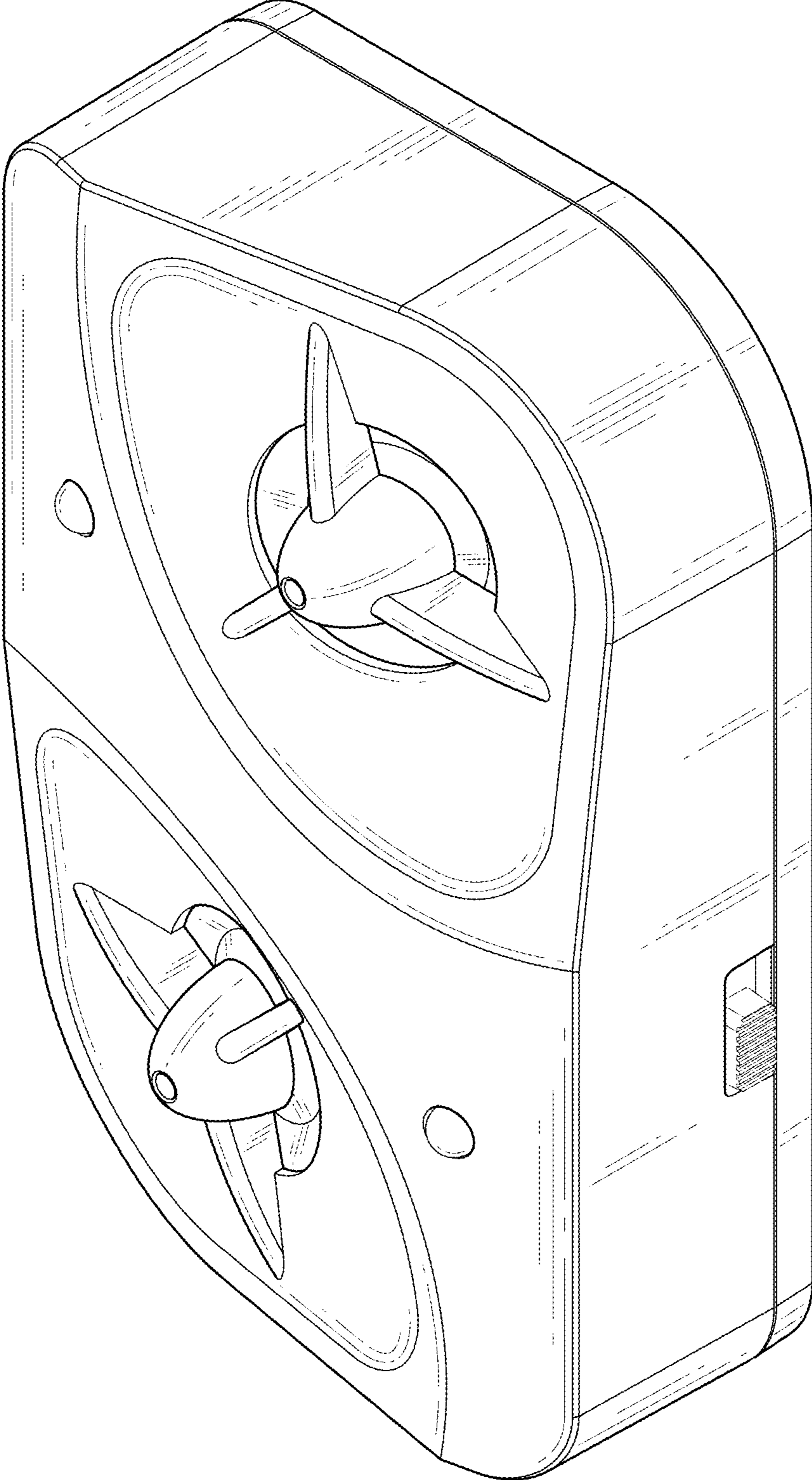


FIG.1

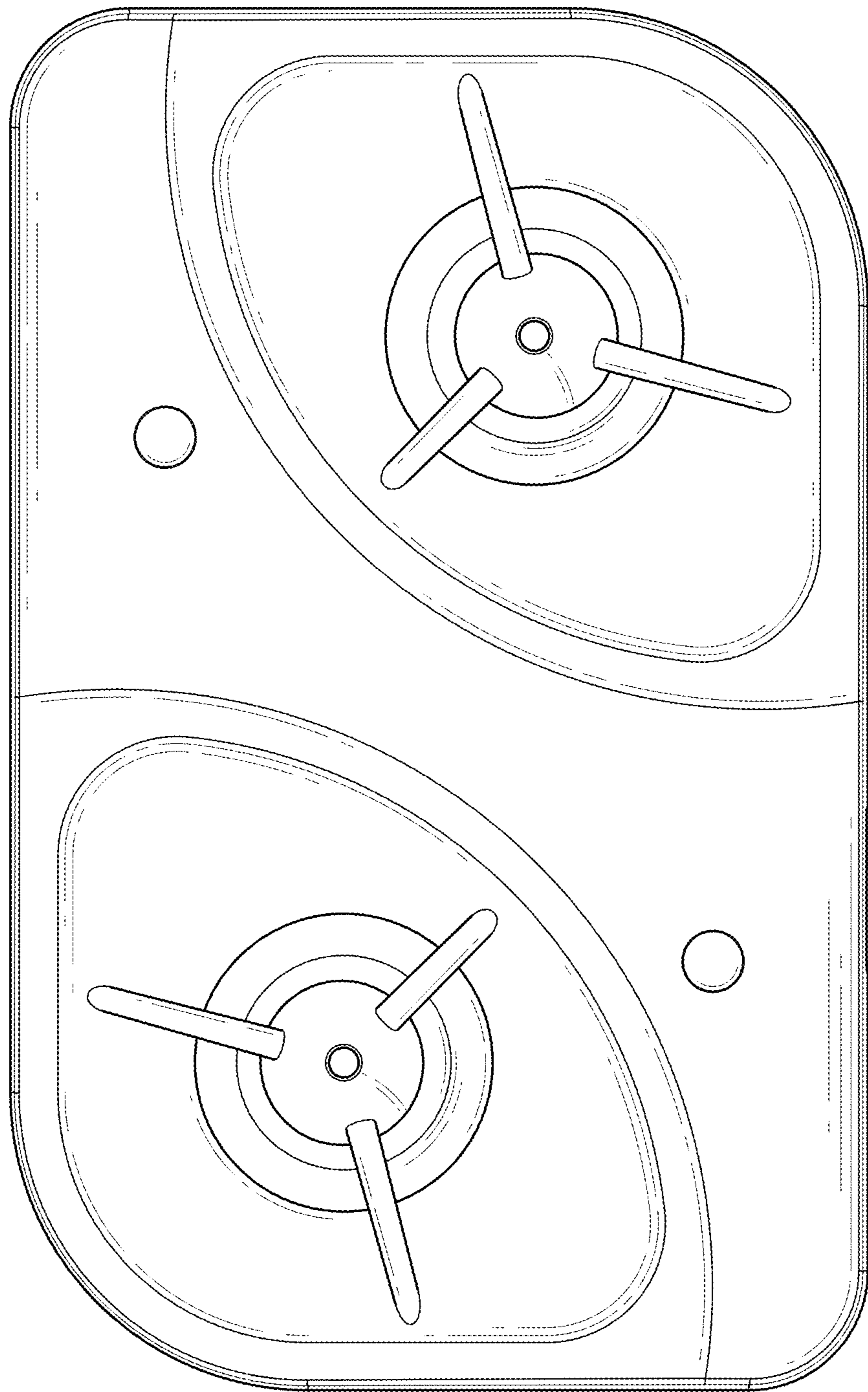


FIG.2

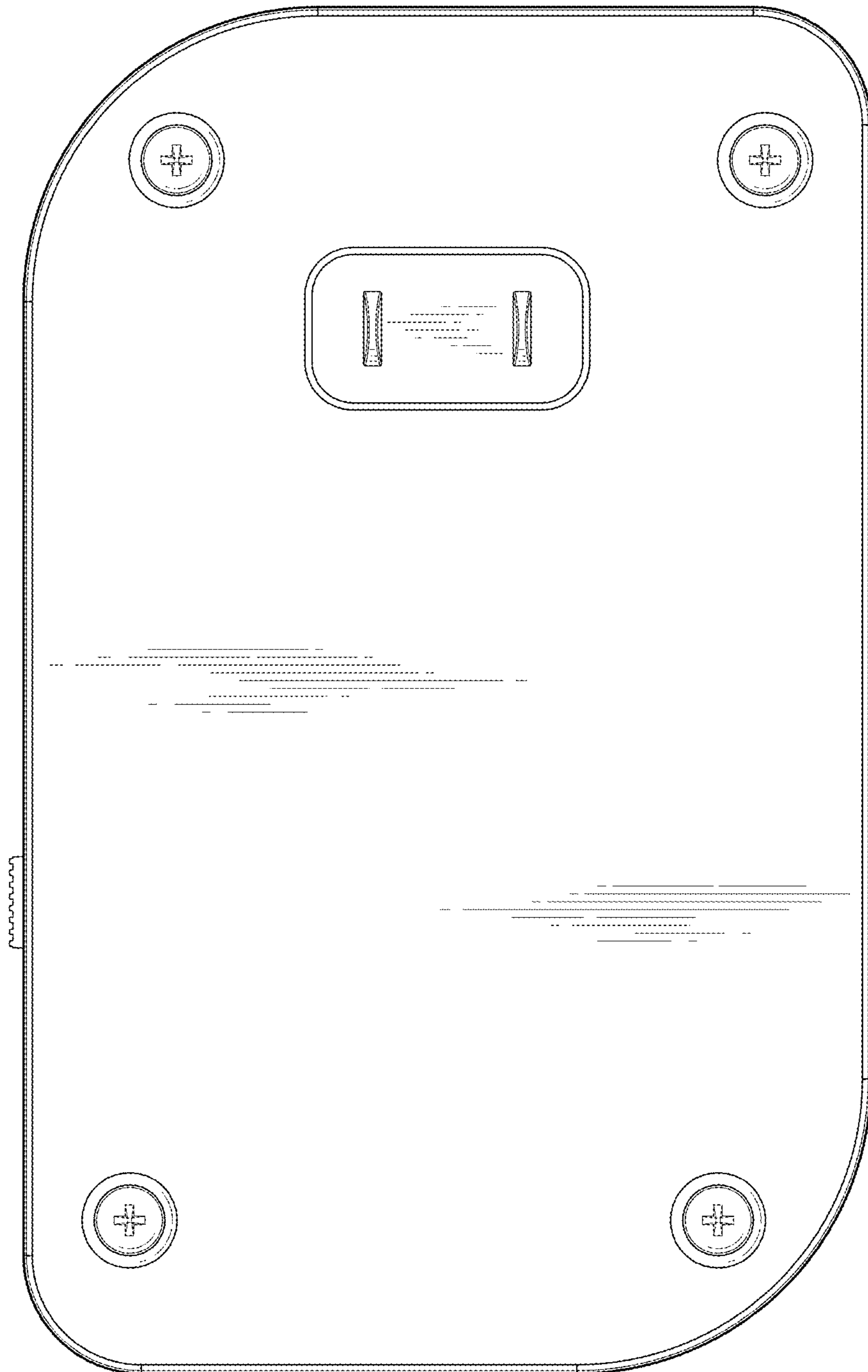


FIG.3

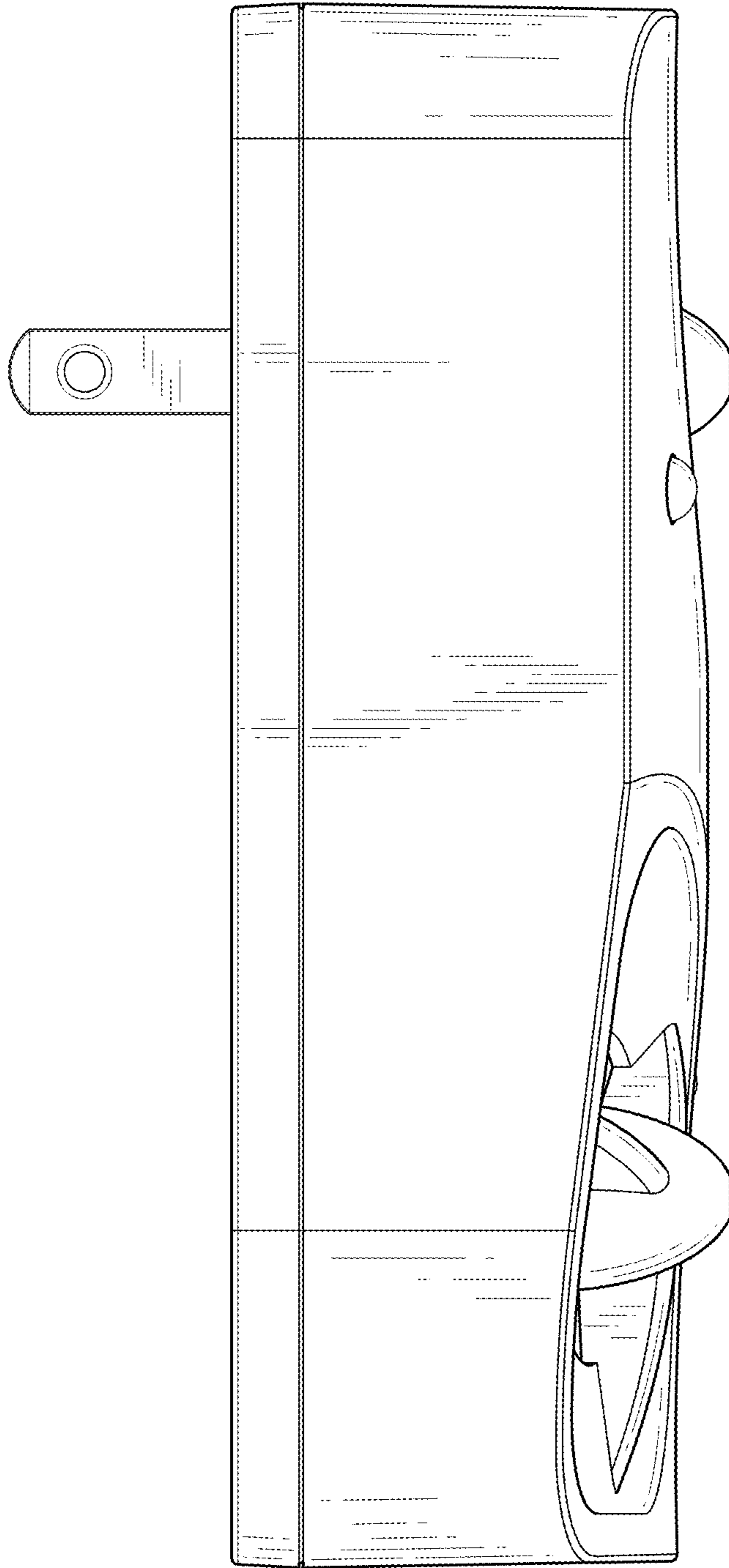


FIG.4

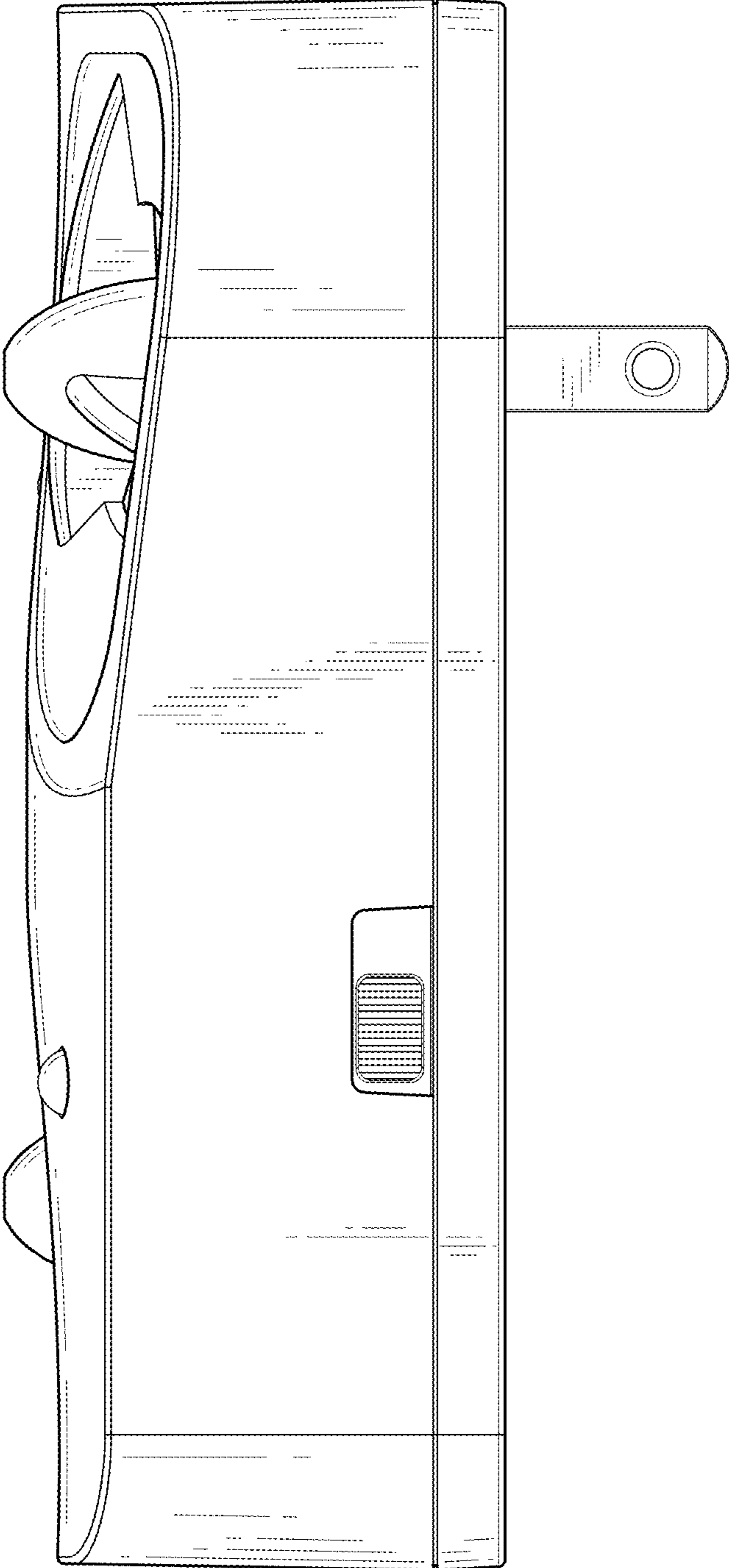


FIG.5

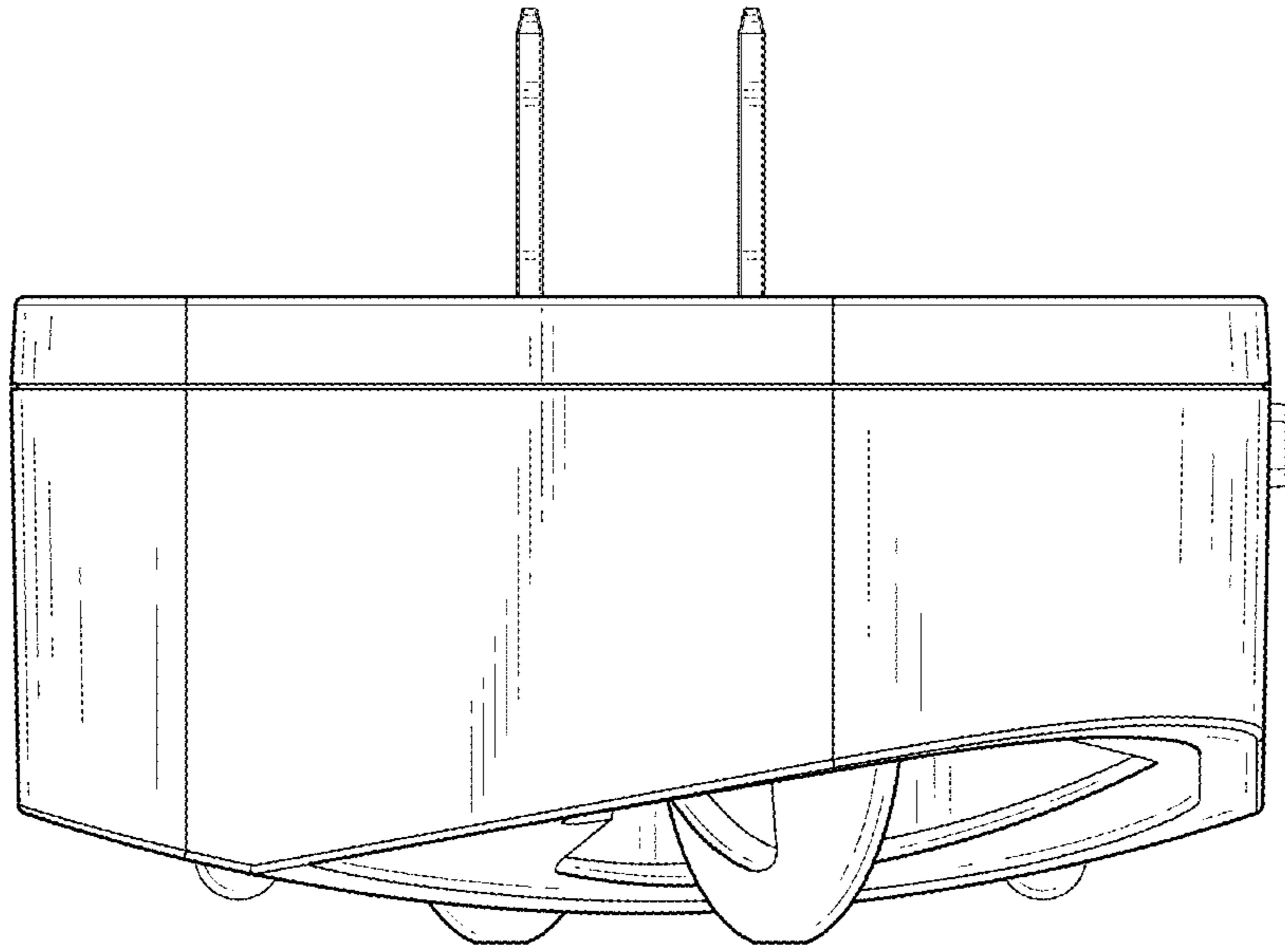


FIG. 6

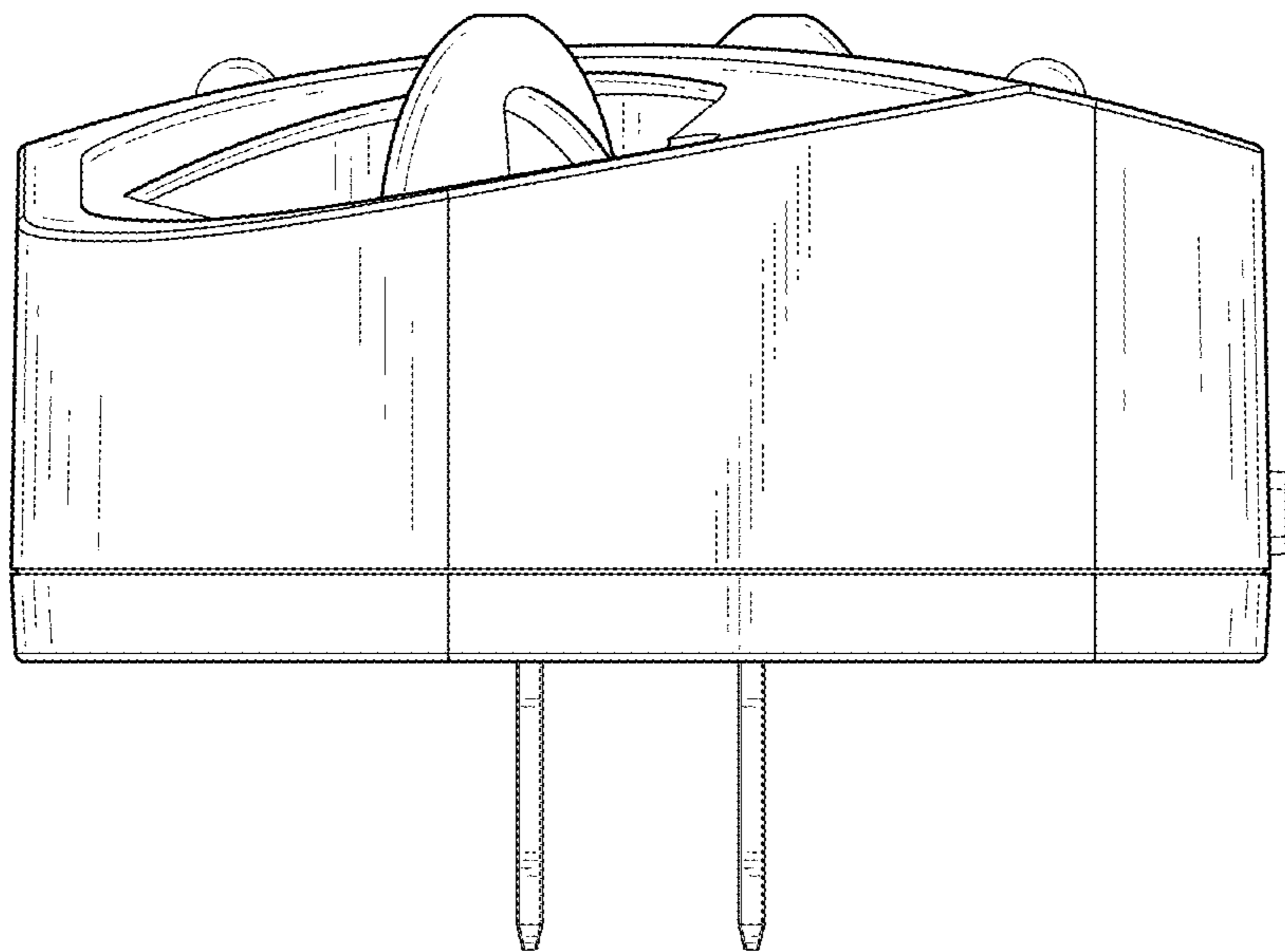


FIG. 7

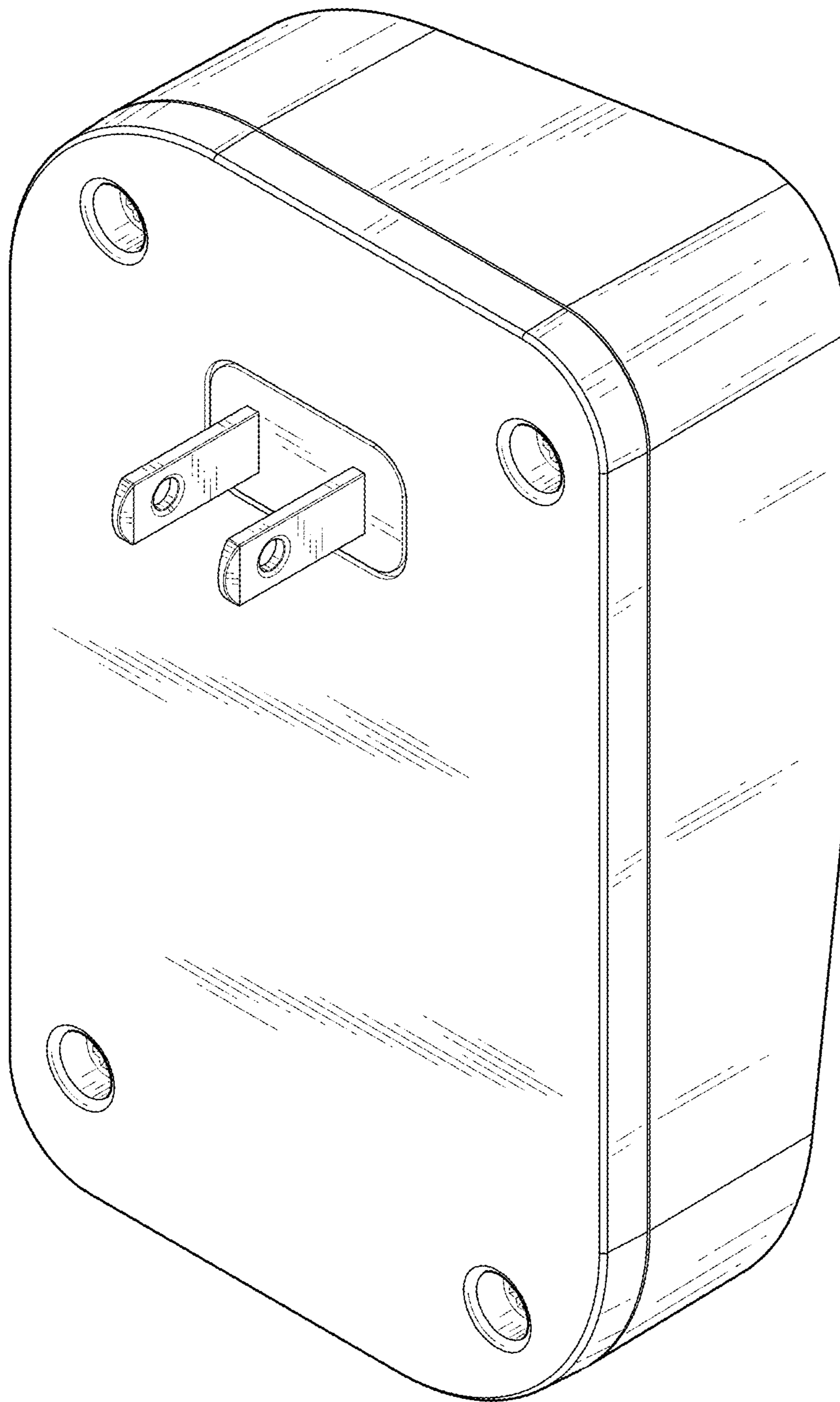


FIG.8