



US00D768802S

(12) **United States Design Patent** (10) **Patent No.:** **US D768,802 S**
Bowers (45) **Date of Patent:** **** Oct. 11, 2016**

(54) **AMMUNITION CARTRIDGE FOR A FIREARM**

(71) Applicant: **William R. Bowers**, Dallas, GA (US)

(72) Inventor: **William R. Bowers**, Dallas, GA (US)

(**) Term: **14 Years**

(21) Appl. No.: **29/516,668**

(22) Filed: **Feb. 4, 2015**

(51) **LOC (10) Cl.** **22-03**

(52) **U.S. Cl.**
USPC **D22/116**

(58) **Field of Classification Search**
USPC D22/115-116
CPC F42B 30/02; F42B 5/02; F42B 5/26;
F42B 12/34; F42B 8/04; F42B 10/22; F42B
8/14; F41A 9/83; F41A 9/82; F41A 9/01;
F41A 9/09; F41A 9/86
See application file for complete search history.

(56) **References Cited**

U.S. PATENT DOCUMENTS

3,614,816	A	10/1971	Weyhmuller et al.	
4,041,868	A	8/1977	Rayle	
4,352,225	A	10/1982	Schreiber	
4,675,958	A	6/1987	Rosenbaum et al.	
4,682,545	A *	7/1987	Jett, Jr.	F42B 5/36 102/430

(Continued)

OTHER PUBLICATIONS

<http://www.perfectionunion.com/vb/thompson-center/95428-22-tcm.html>[May 24, 2016 6:22:42 AM].*

(Continued)

Primary Examiner — Michael A Pratt
(74) *Attorney, Agent, or Firm* — Law Office of Arthur M. Antonelli, PLLC

(57) **CLAIM**

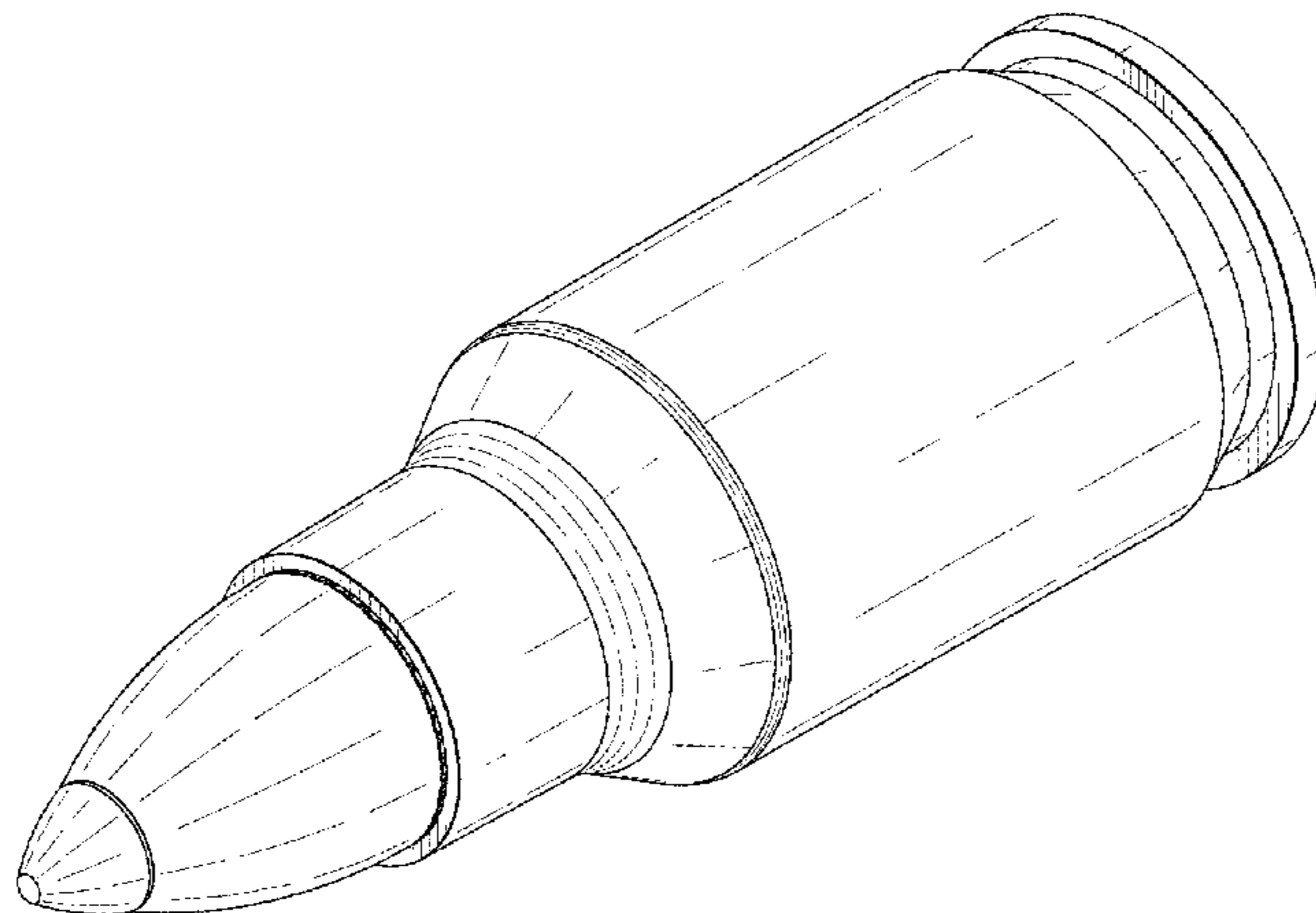
The ornamental design for an ammunition cartridge for a firearm, as shown and described.

DESCRIPTION

FIG. 1 is a top, front, right side perspective view of an ammunition cartridge for a firearm in accordance with my new design;
FIG. 2 is top, rear, left side perspective view of the ammunition cartridge for a firearm of FIG. 1;
FIG. 3 is a front view of the ammunition cartridge for a firearm of FIG. 1;
FIG. 4 is a rear view of the ammunition cartridge for a firearm of FIG. 1;
FIG. 5 is a left side view of the ammunition cartridge for a firearm of FIG. 1;
FIG. 6 is a right side view of the ammunition cartridge for a firearm of FIG. 1;
FIG. 7 is a top view of the ammunition cartridge for a firearm of FIG. 1; and
FIG. 8 is a bottom view of the ammunition cartridge for a firearm of FIG. 1;
FIG. 9 is a top, front, right side perspective view of another embodiment of an ammunition cartridge for a firearm in accordance with my new design;
FIG. 10 is top, rear, left side perspective view of the ammunition cartridge for a firearm of FIG. 9;
FIG. 11 is a front view of the ammunition cartridge for a firearm of FIG. 9;
FIG. 12 is a rear view of the ammunition cartridge for a firearm of FIG. 9;
FIG. 13 is a left side view of the ammunition cartridge for a firearm of FIG. 9;
FIG. 14 is a right side view of the ammunition cartridge for a firearm of FIG. 9;
FIG. 15 is a top view of the ammunition cartridge for a firearm of FIG. 9; and
FIG. 16 is a bottom view of the ammunition cartridge for a firearm of FIG. 9.

All portions shown in broken lines are environmental and illustrative only and form no part of the claimed design.

1 Claim, 8 Drawing Sheets



(56)

References Cited

U.S. PATENT DOCUMENTS

4,732,073 A * 3/1988 Semon F42B 33/04
15/104.2

5,221,806 A 6/1993 Chaney et al.

5,435,223 A * 7/1995 Blodgett F42B 33/04
86/38

5,979,331 A 11/1999 Casull

6,050,169 A 4/2000 Voros

6,293,203 B1 * 9/2001 Alexander F42B 5/025
102/430

6,532,876 B1 3/2003 Ramirez et al.

7,011,028 B1 3/2006 Emary

7,086,336 B2 * 8/2006 Smalley, Jr. F41A 21/12
102/430

7,311,046 B2 12/2007 Riess et al.

7,380,502 B2 6/2008 Emary

7,458,322 B2 12/2008 Reynolds et al.

7,607,394 B2 10/2009 Cesaroni

D646,179 S * 10/2011 Jansen D22/116

D647,160 S * 10/2011 Johansson D22/115

8,176,850 B2 5/2012 Thompson et al.

D664,042 S * 7/2012 Kurpis D22/116

8,381,655 B2 2/2013 Swingley et al.

8,413,587 B2 4/2013 Emary

8,443,729 B2 5/2013 Mittelstaedt

8,448,575 B2 5/2013 Goddard

D707,785 S * 6/2014 Seecamp D22/116

8,813,650 B2 8/2014 Maljkovic et al.

D753,259 S * 4/2016 Masinelli D22/116

D755,916 S * 5/2016 O'Sullivan D22/115

2006/0248773 A1 * 11/2006 Kightlinger F42B 5/025
42/77

2015/0330731 A1 * 11/2015 Kolev F41A 3/12
42/25

OTHER PUBLICATIONS

<http://www.perfectunion.com/...attachments/thompson-center/24138d1370735274-22-tcm-22-tcm-shot-15-inch-mgm-barrel.jpg>[May 24, 2016 6:21:16 AM].*

<http://www.iaaforum.org/forum3/viewtopic.php?f=8&t=11785>[May 24, 2016 6:30:39 AM].*

http://forums.handloads.com/forum_J05ts.asp?TID=32097 1/10.*

"Introducing the 22 TCM 9R Cartridge and TCM Conversion for Glock Pistols," Armscor.com, 2015, pp. 2, [retrieved on Mar. 18, 2015] Retrieved from the Internet.

"Hornady 2015 Product Catalog," 2015, pp. 104, Hornady PO Box 1848, Grand Island, NE 68802-1848.

"Nosler, Up Front, 2015 Catalog," 2015, pp. 115, Nosler 107 S.W. Columbia St. Bend, OR 97702.

"Clymer Precision Tools, Product Catalog," undated, pp. 36, Clymer Precision Tools 1605 West Hamlin Rd., Rochester Hills, MI 48309.

"Cartridge Comparison Guide," 2014, pp. 4, www.Cartridge Comparison Guide.com.

ANSI/SAAMI Z299.3-1993, pp. 2, Sporting Arms & Ammunition Manufacturer's Institute Inc. 11 Mile Hill Road, Newtown, CT 06470.

ANSI/SAAMI Z299.4-1992, pp. 1, Sporting Arms & Ammunition Manufacturer's Institute Inc. 11 Mile Hill Road, Newtown, CT 06470.

* cited by examiner

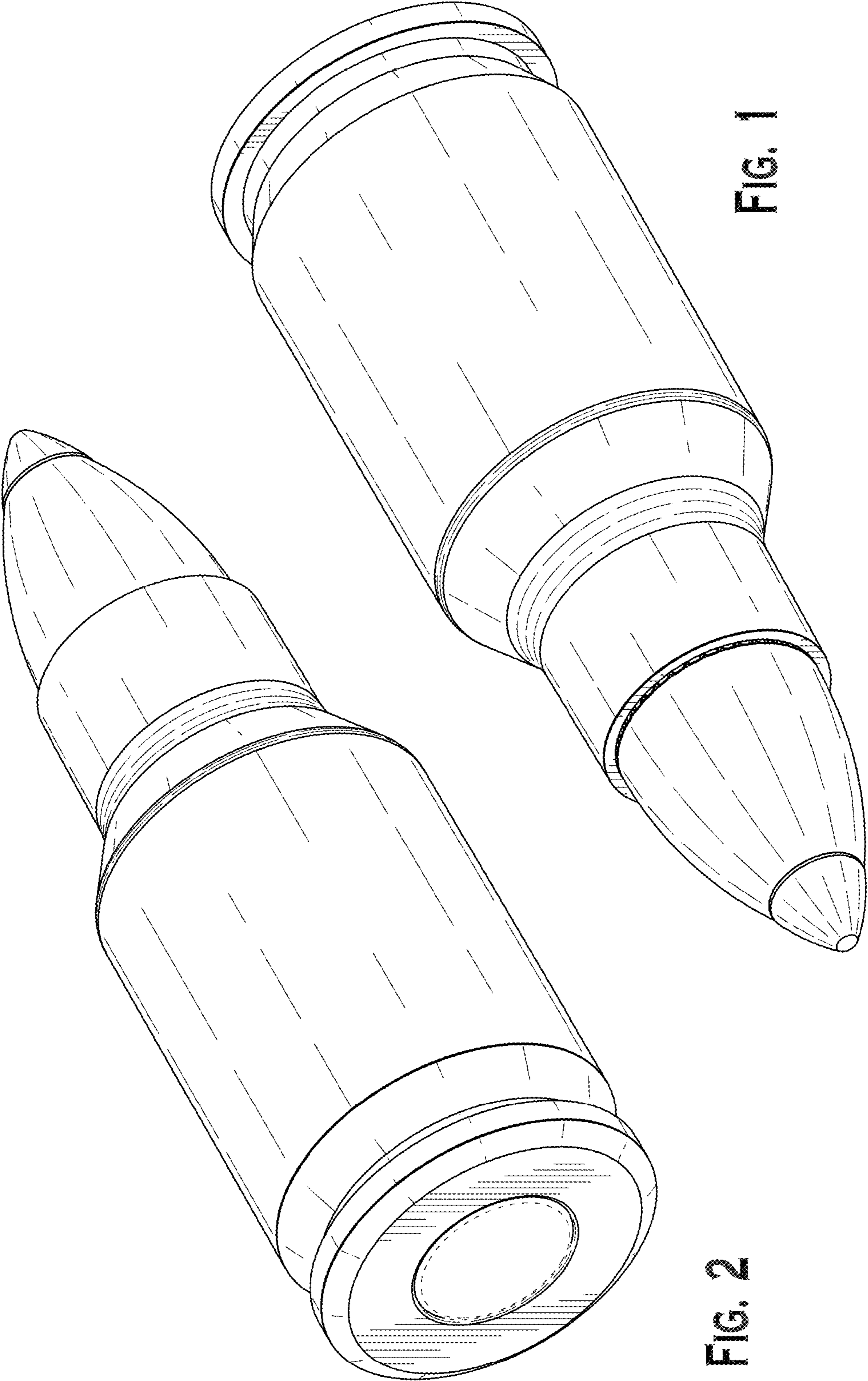


FIG. 1

FIG. 2

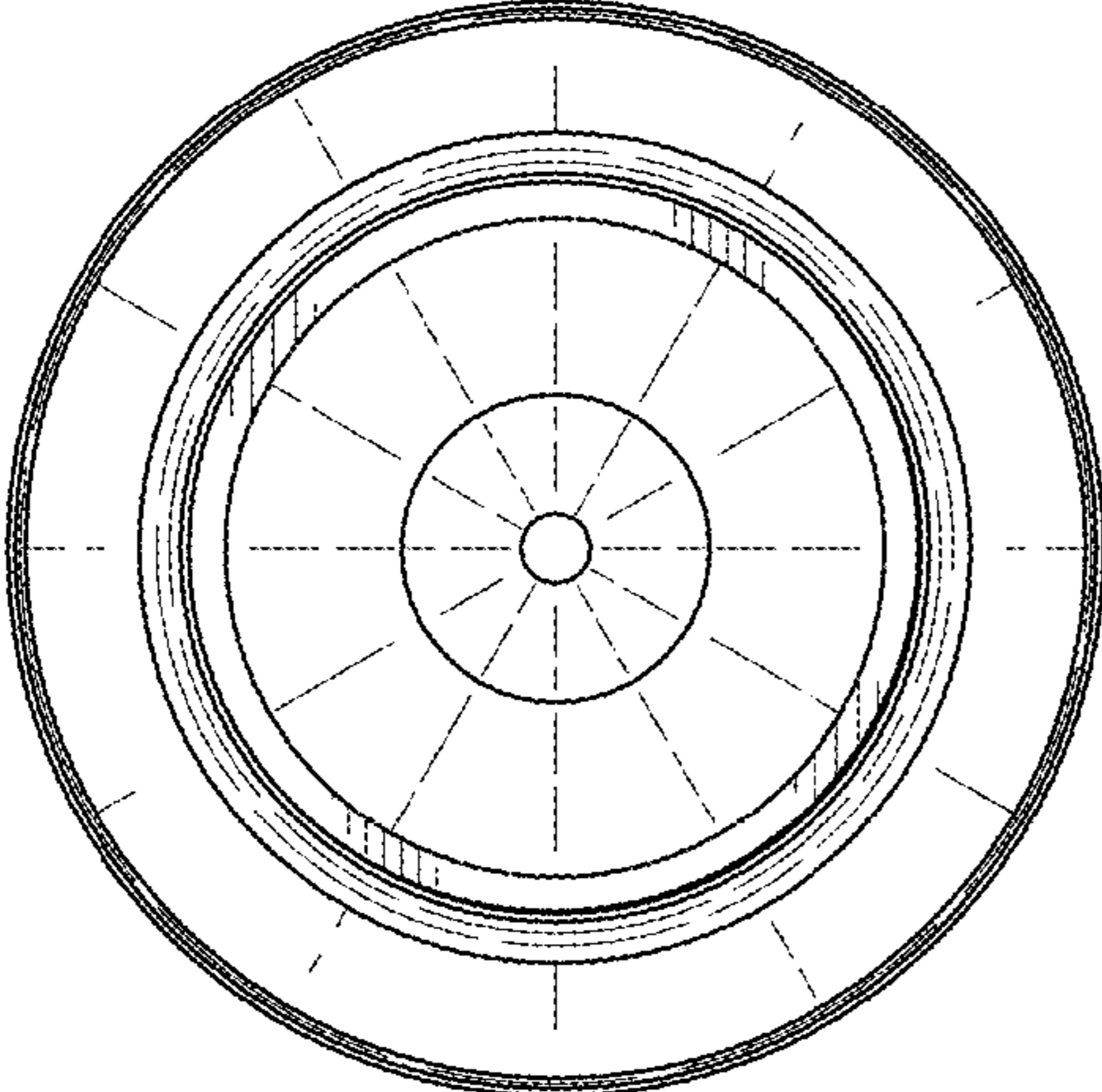


FIG. 3

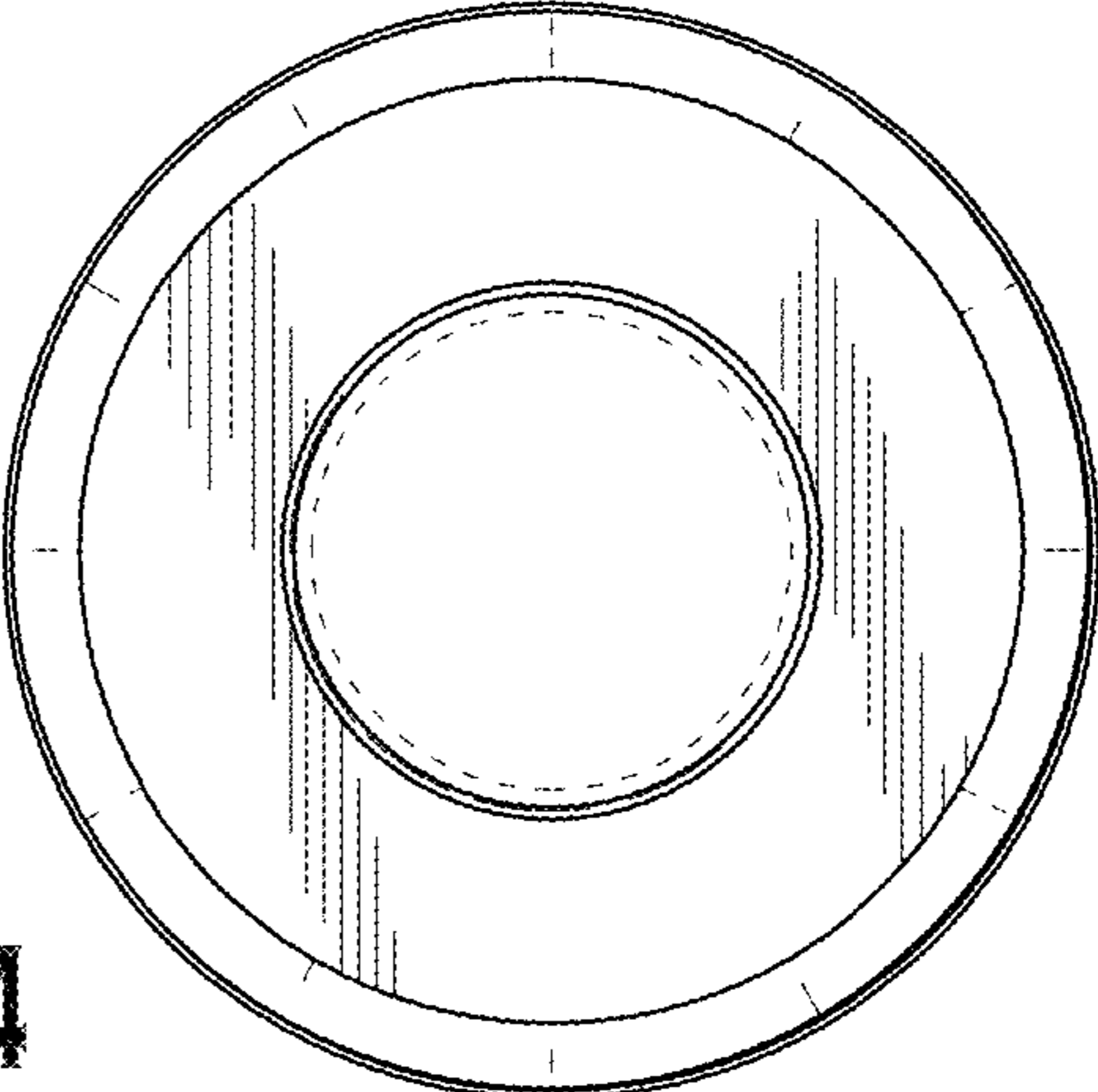


FIG. 4

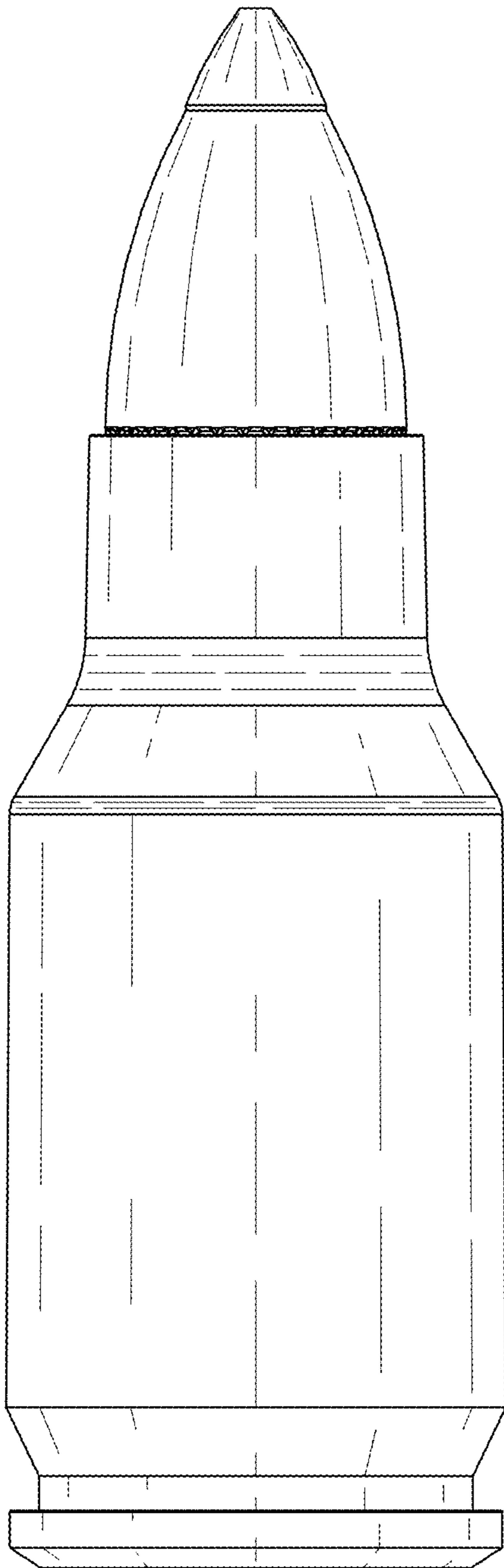


FIG. 5

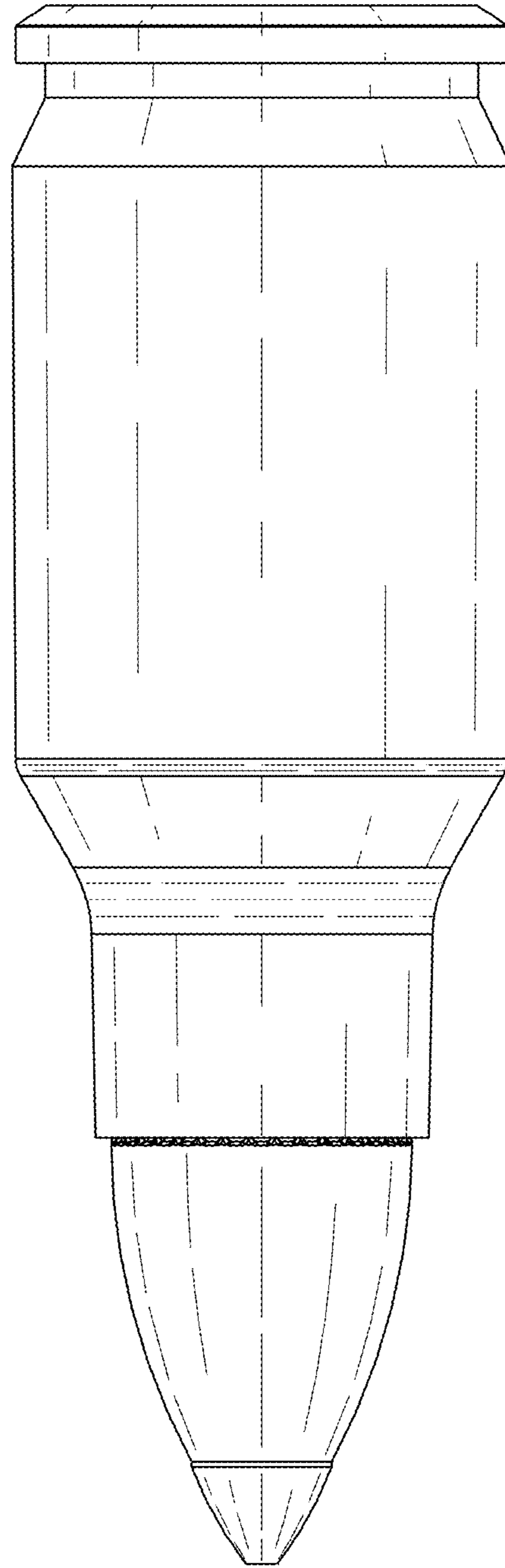


FIG. 6

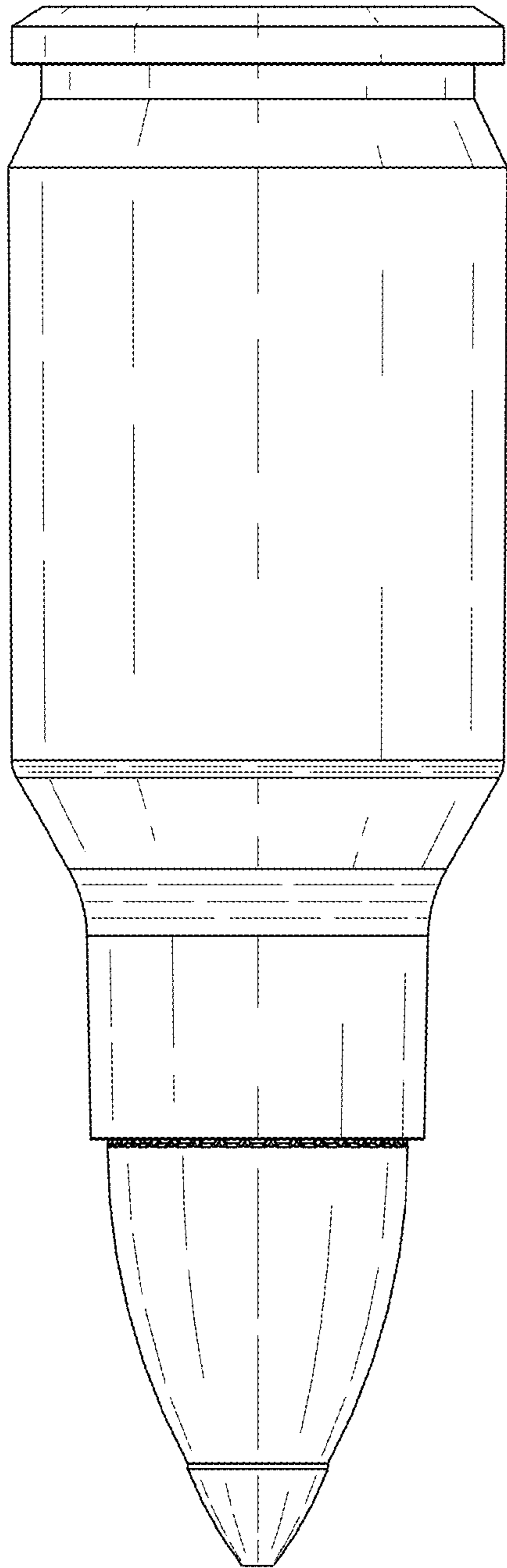


FIG. 7

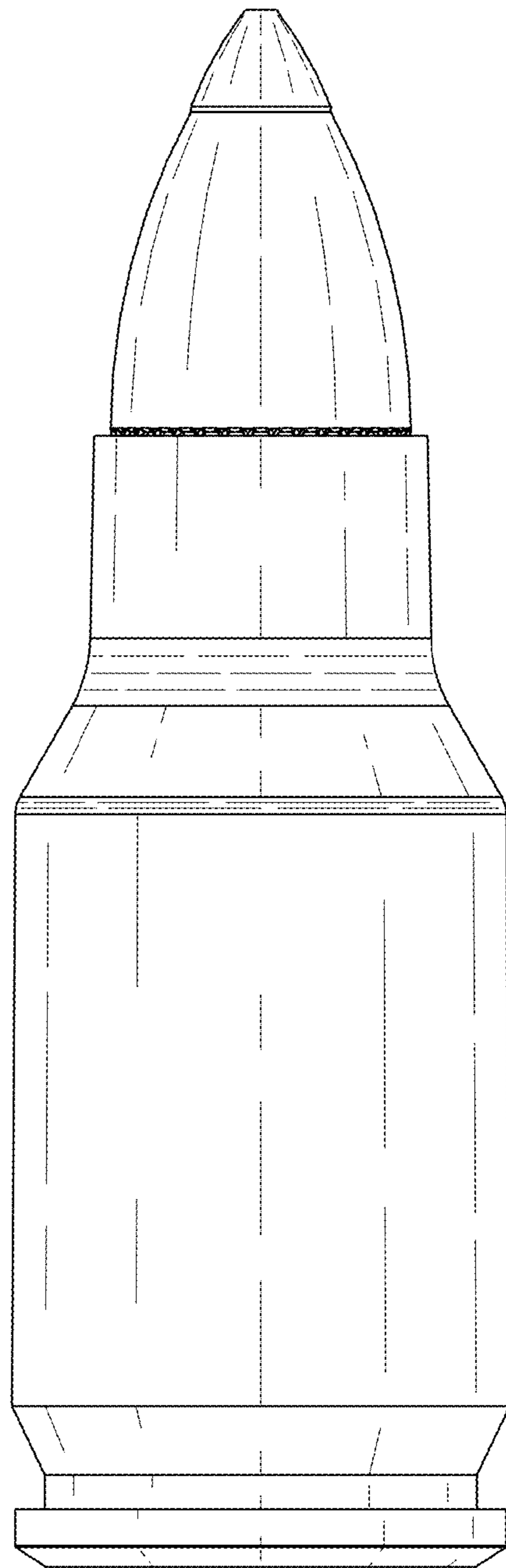


FIG. 8

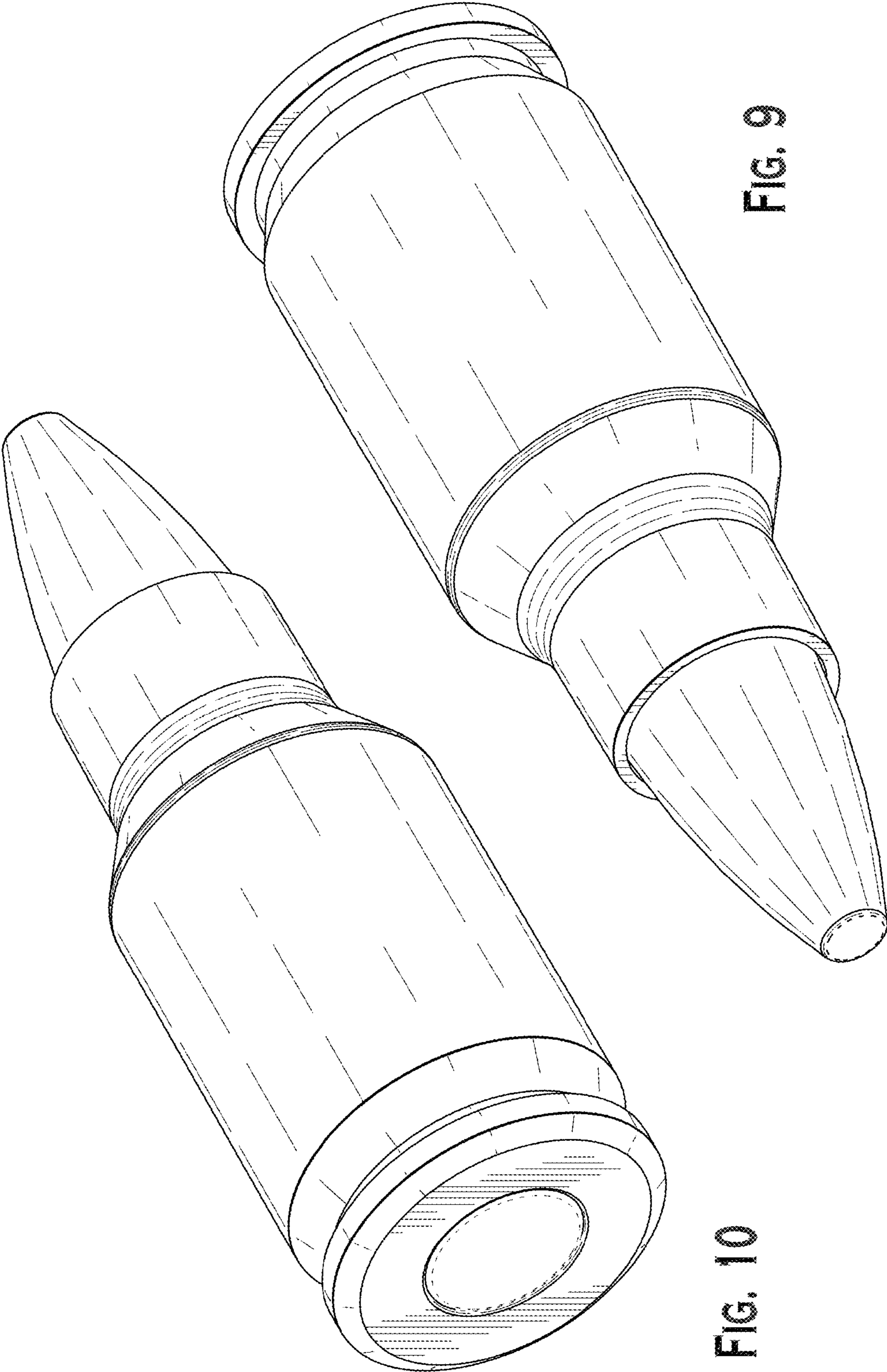


FIG. 9

FIG. 10

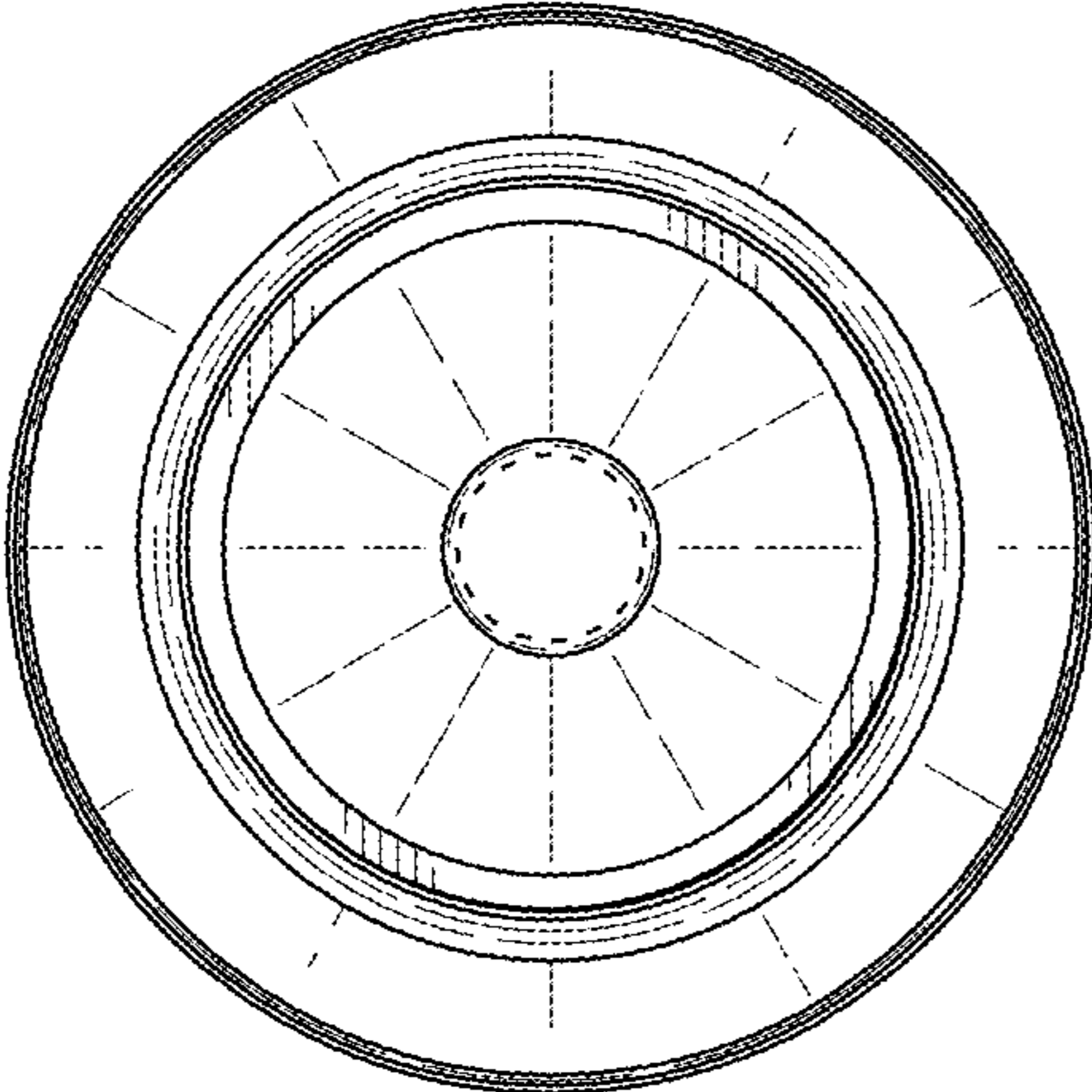


FIG. 11

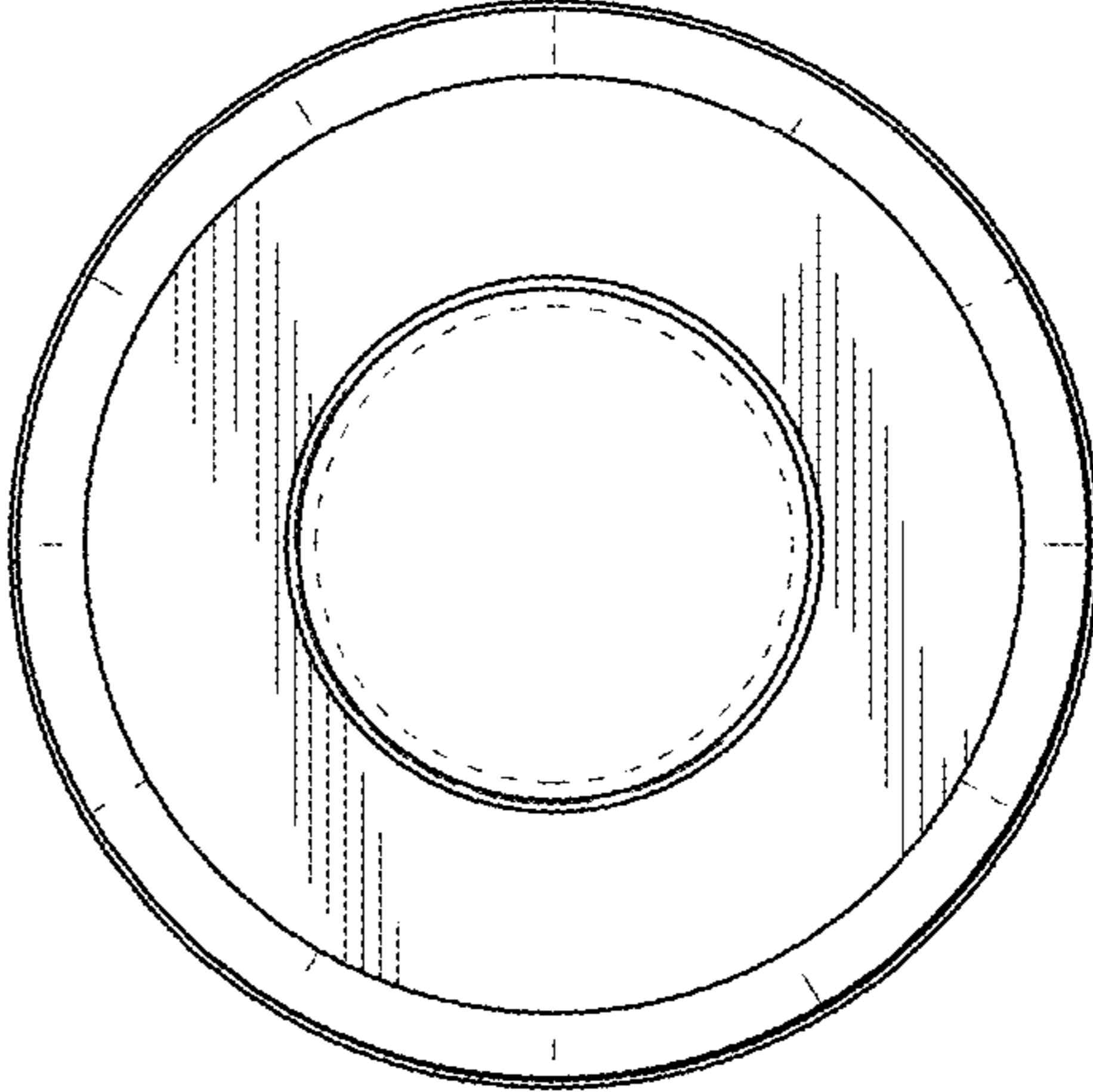


FIG. 12

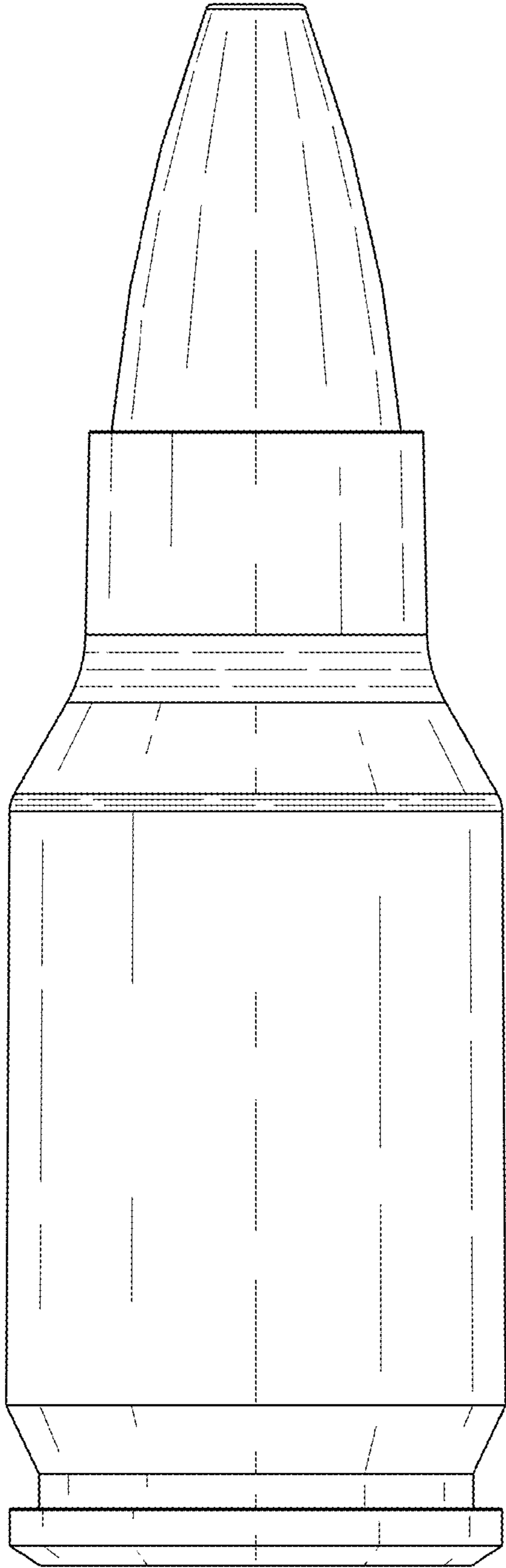


FIG. 13

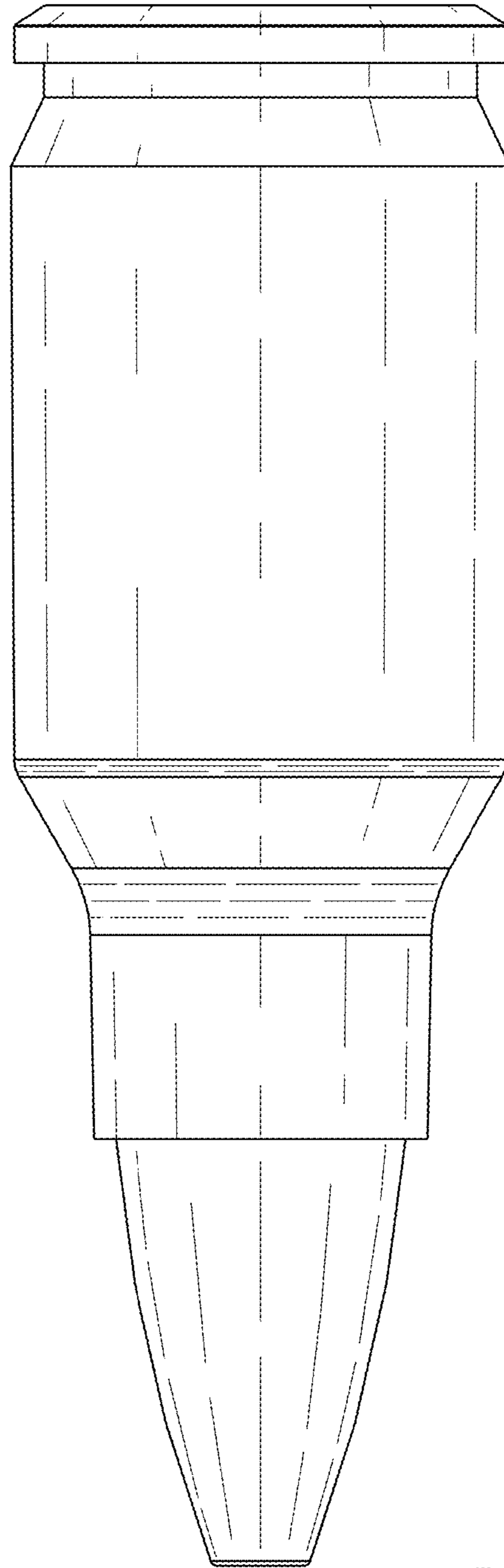


FIG. 14

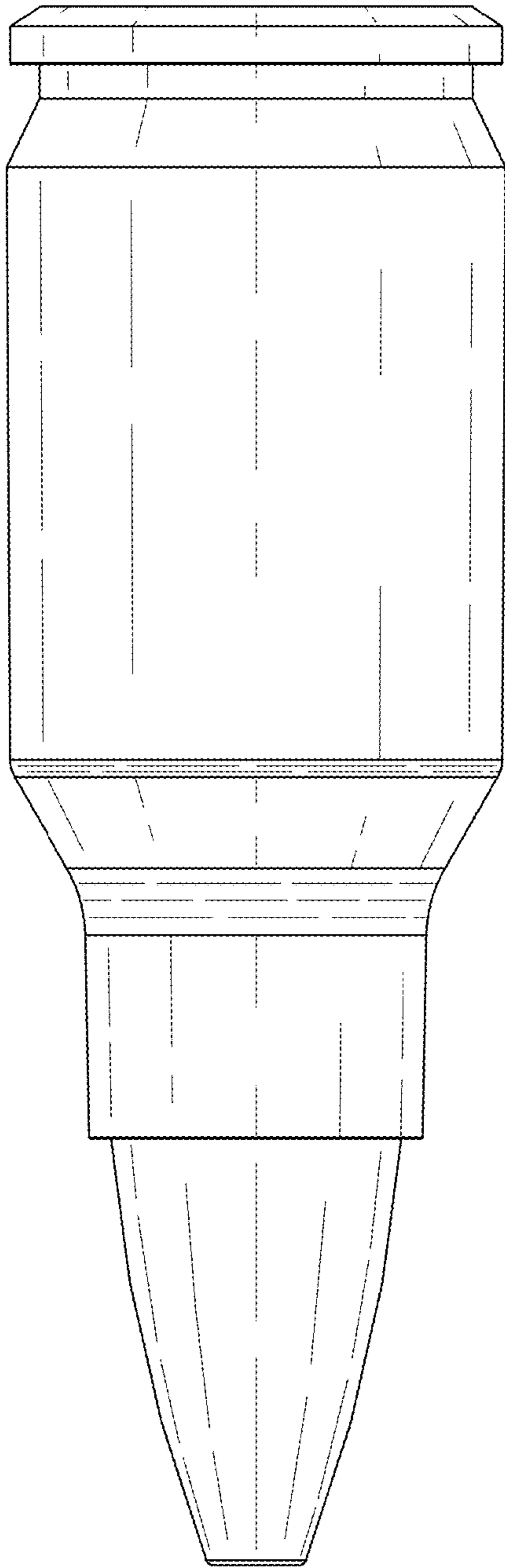


FIG. 15

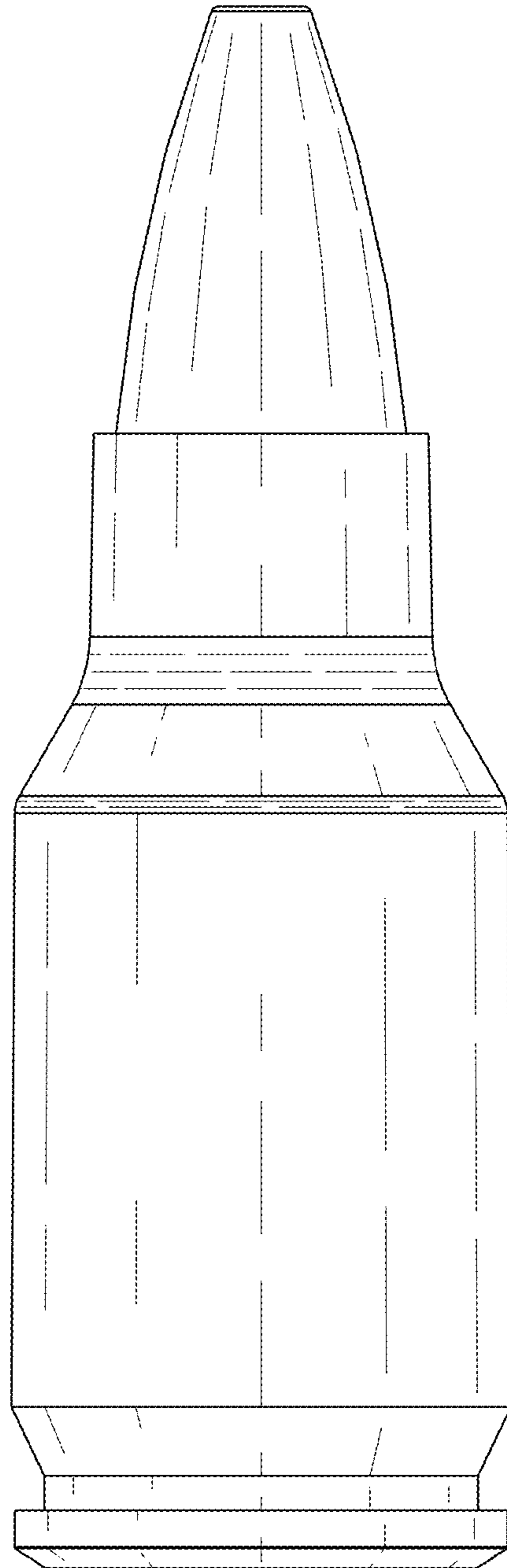


FIG. 16