



US00D768801S

(12) **United States Design Patent**
Morris

(10) **Patent No.:** **US D768,801 S**

(45) **Date of Patent:** **** Oct. 11, 2016**

(54) **RIFLE VENTED UPPER RECEIVER**

(71) Applicant: **F-1 RESEARCH, LLC—PATENTS SERIES**, Spring, TX (US)

(72) Inventor: **Steven Walter Morris**, Spring, TX (US)

(73) Assignee: **F-1 Research LLC**, Spring, TX (US)

(**) Term: **14 Years**

(21) Appl. No.: **29/522,874**

(22) Filed: **Apr. 3, 2015**

(51) **LOC (10) Cl.** **22-01**

(52) **U.S. Cl.**
USPC **D22/108**

(58) **Field of Classification Search**
USPC D22/103, 108
CPC F41C 23/00; F41C 27/00; F41C 27/06;
F41C 23/10; F41C 23/14; F41C 23/16;
F41C 23/18; F41A 5/18; F41A 5/24; F41A
21/28
See application file for complete search history.

(56) **References Cited**

U.S. PATENT DOCUMENTS

D590,473 S * 4/2009 Fitzpatrick D22/103
7,806,039 B1 * 10/2010 Gomez F41A 17/42
89/132
D631,933 S * 2/2011 Thompson D22/108
8,316,756 B1 * 11/2012 Woodell F41A 5/28
89/193
D713,483 S * 9/2014 Firpo, I D22/108
D717,904 S * 11/2014 Oglesby D22/108
D720,032 S * 12/2014 Boutin D22/108
8,910,406 B1 * 12/2014 Huang F41A 3/66
42/16

D745,621 S * 12/2015 Huang D22/108
2014/0352191 A1 * 12/2014 Fritz F41A 3/66
42/75.03
2015/0135573 A1 * 5/2015 DiChario F41G 11/003
42/75.02

* cited by examiner

Primary Examiner — Michael A Pratt

(74) *Attorney, Agent, or Firm* — Dossey & Jones PLLC;
James P. Dossey

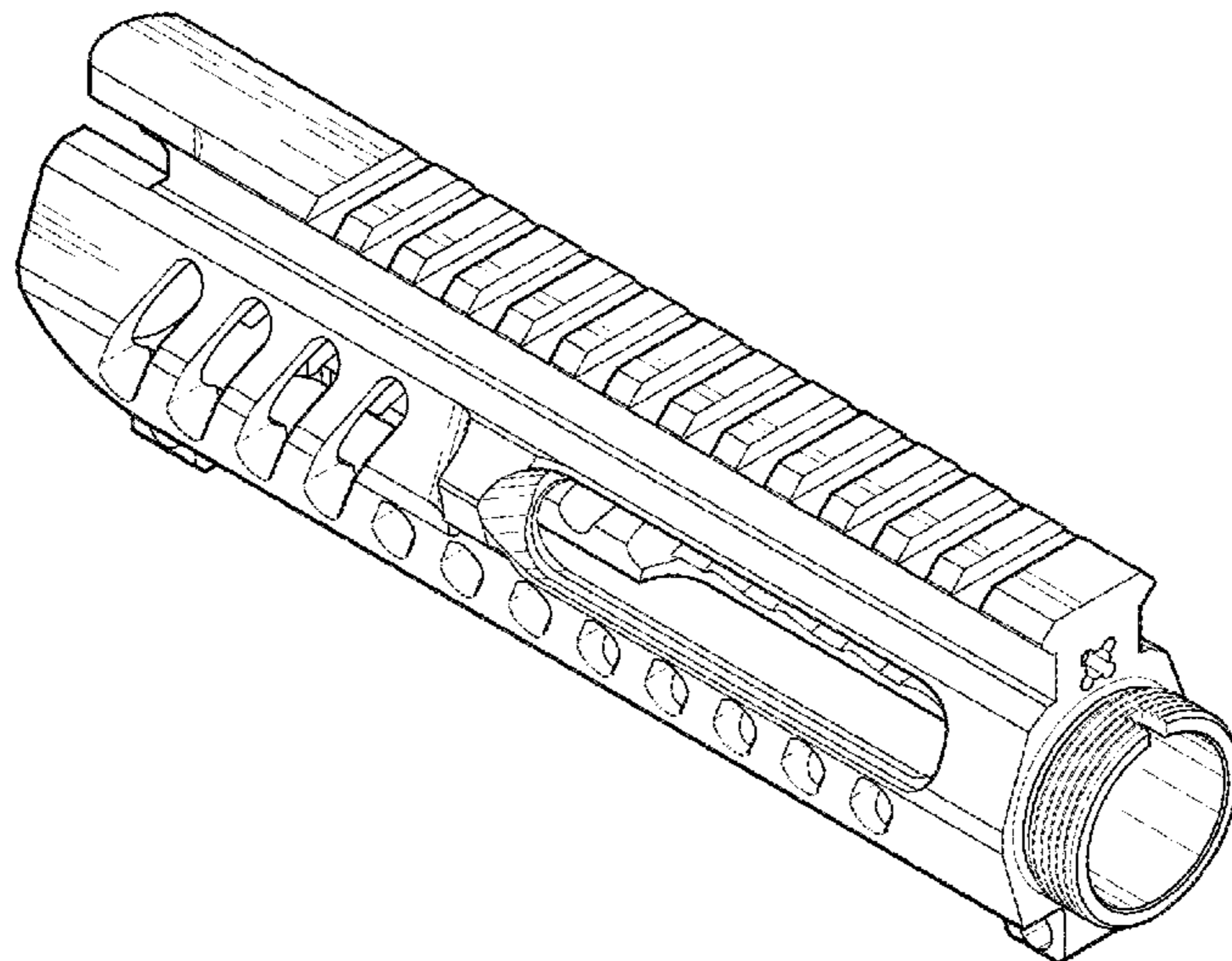
(57) **CLAIM**

The ornamental design for a rifle vented upper receiver, as shown and described.

DESCRIPTION

FIG. 1 is an isometric front view showing the right side of an embodiment of the apparatus disclosed herein; FIG. 2 is an isometric front view showing the left side of the apparatus of FIG. 1; FIG. 3 is a plain top view of the apparatus of FIG. 1; FIG. 4 is a plain front view showing the right side of the apparatus of FIG. 1; FIG. 5 is a plain end-on view of the apparatus of FIG. 1, wherein such end is located on the right side of the apparatus as shown in FIG. 3; FIG. 6 is a plain end-on view of the apparatus of FIG. 1, wherein such end is located on the left side of the apparatus as shown in FIG. 3; FIG. 7 is a plain bottom view of the apparatus of FIG. 1; and, FIG. 8 is a plain front view showing the left side of the apparatus of FIG. 1.
The Shading, and cross-hatching presented in the drawings are for illustration only and do not form a part of the claimed design.

1 Claim, 3 Drawing Sheets



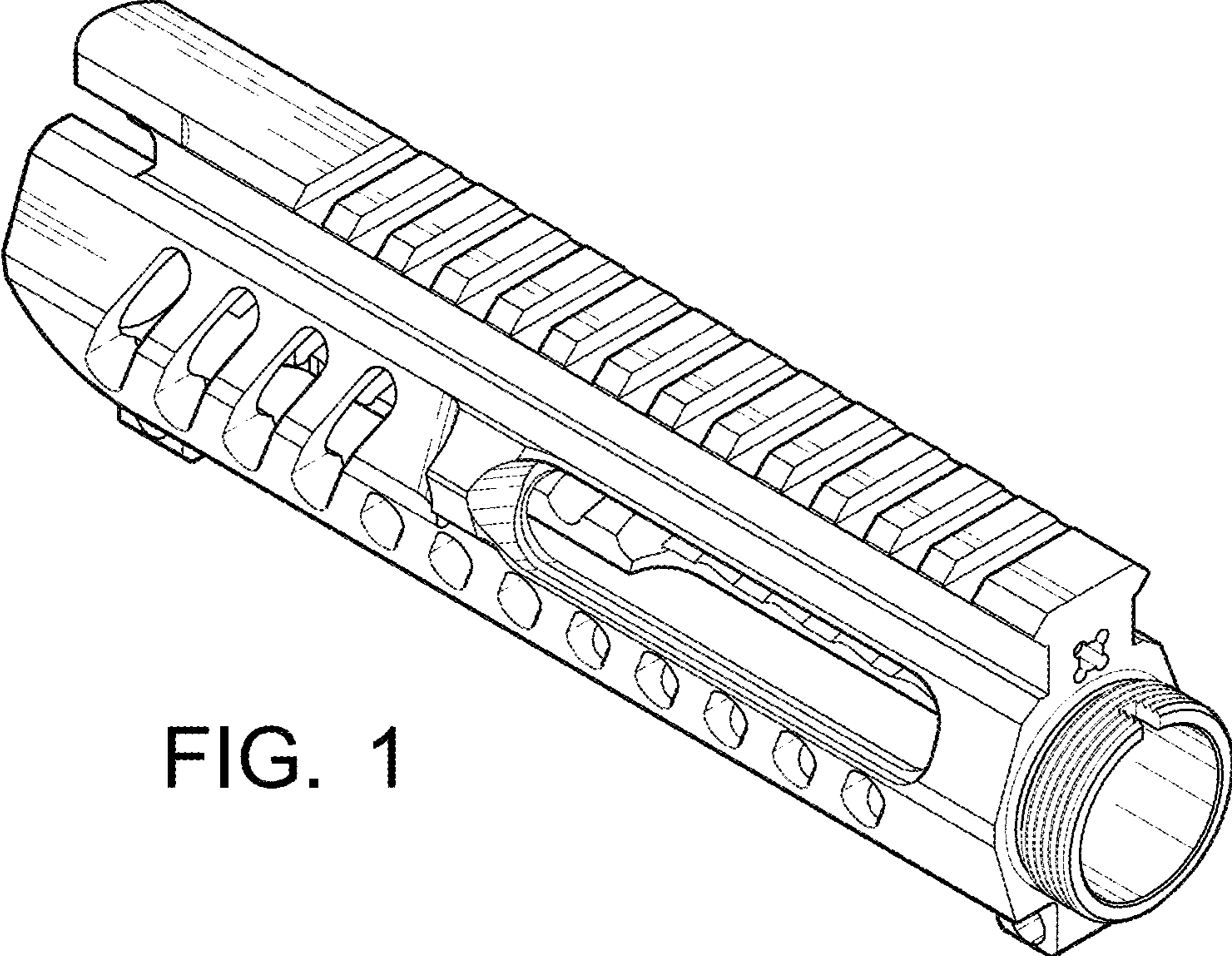


FIG. 1

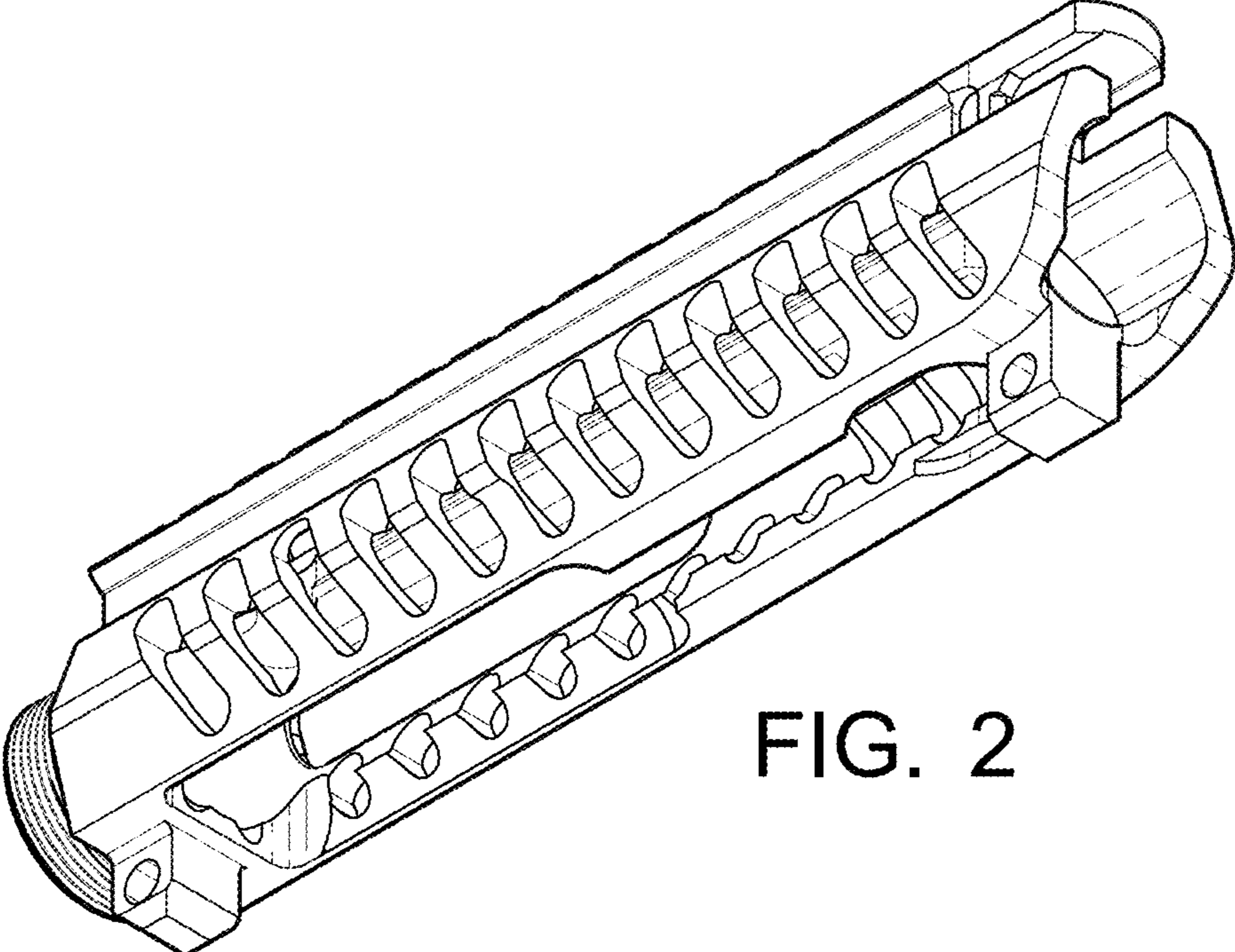


FIG. 2

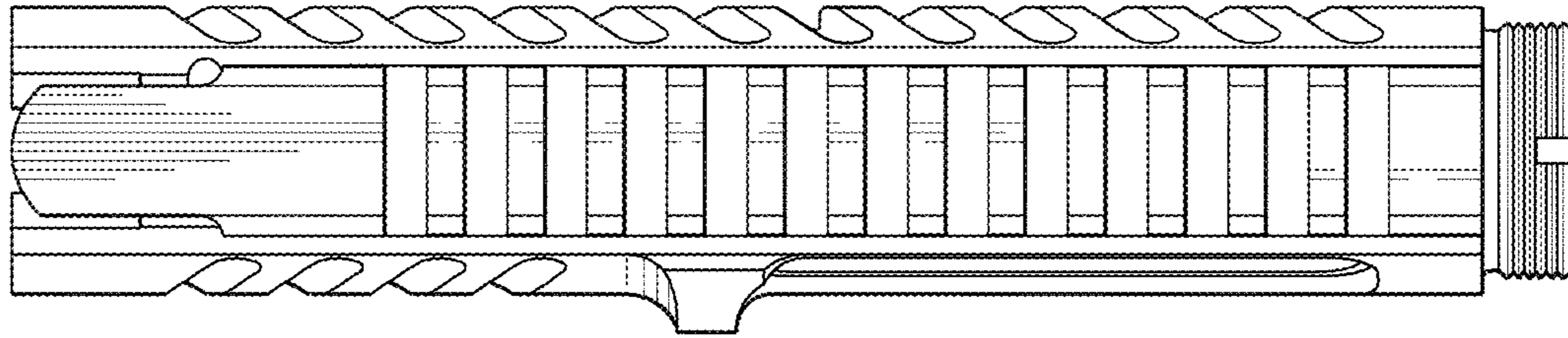


FIG. 3

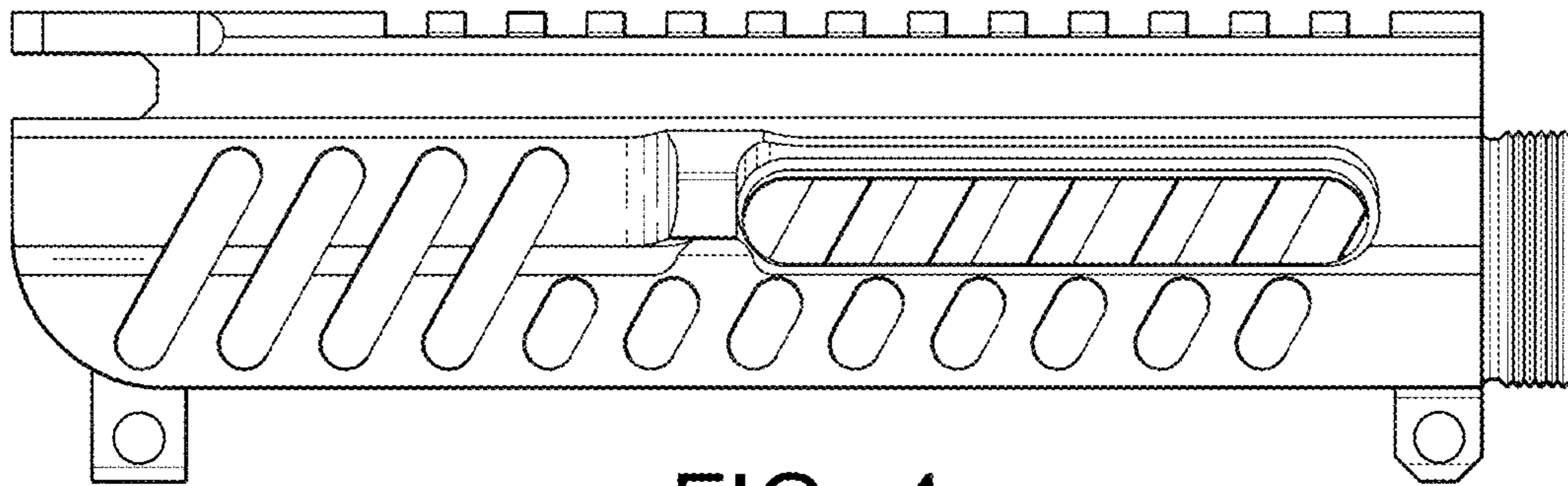


FIG. 4

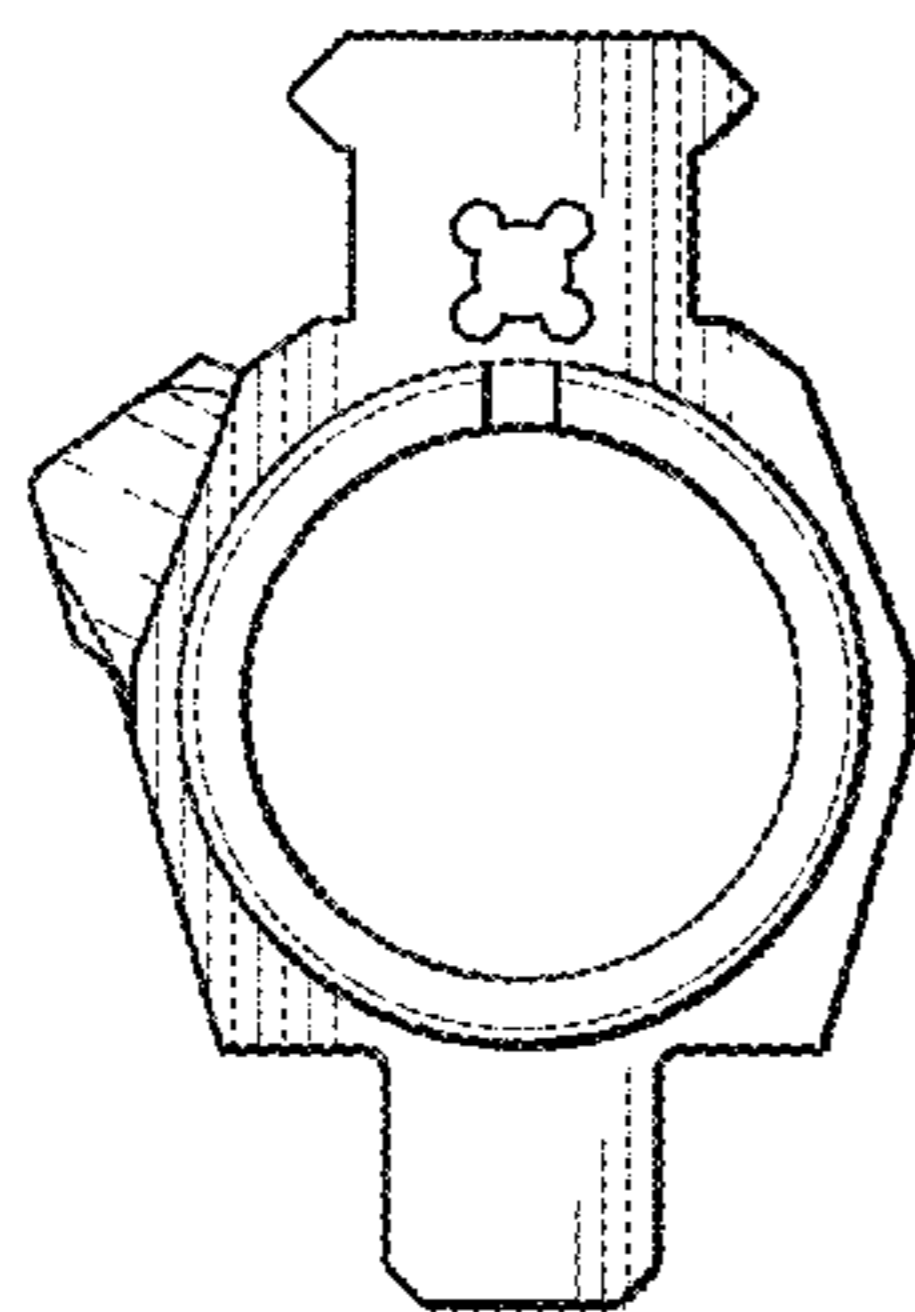


FIG. 5

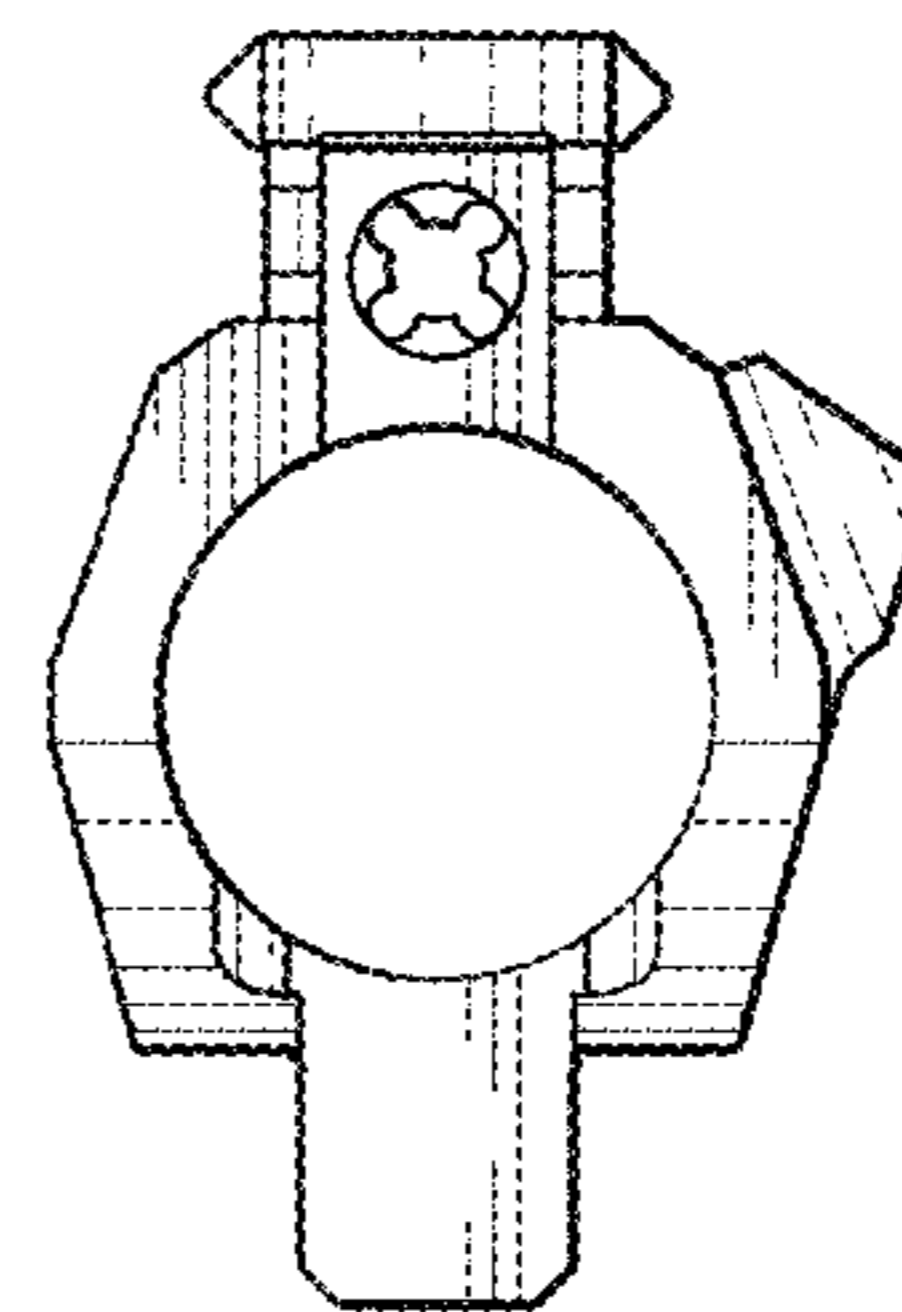


FIG. 6

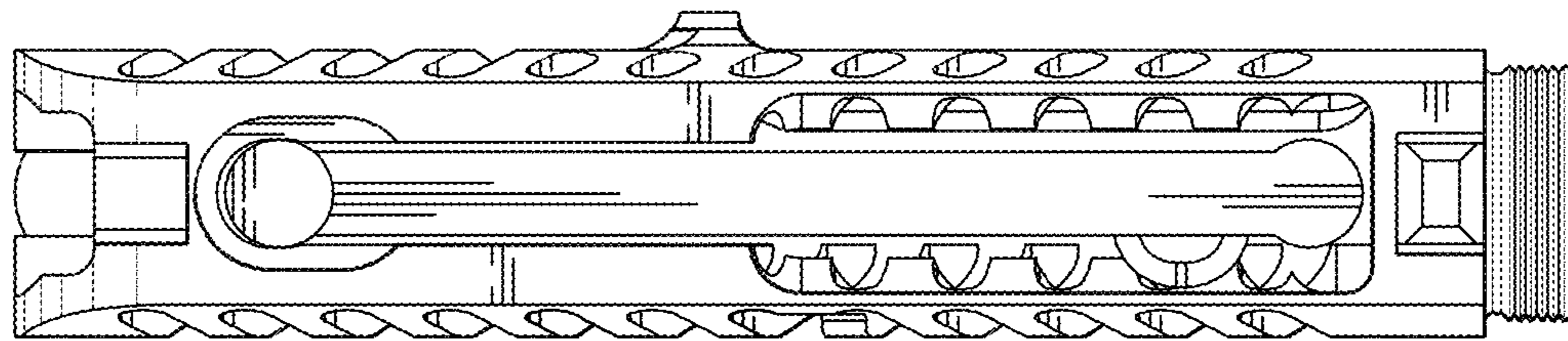


FIG. 7

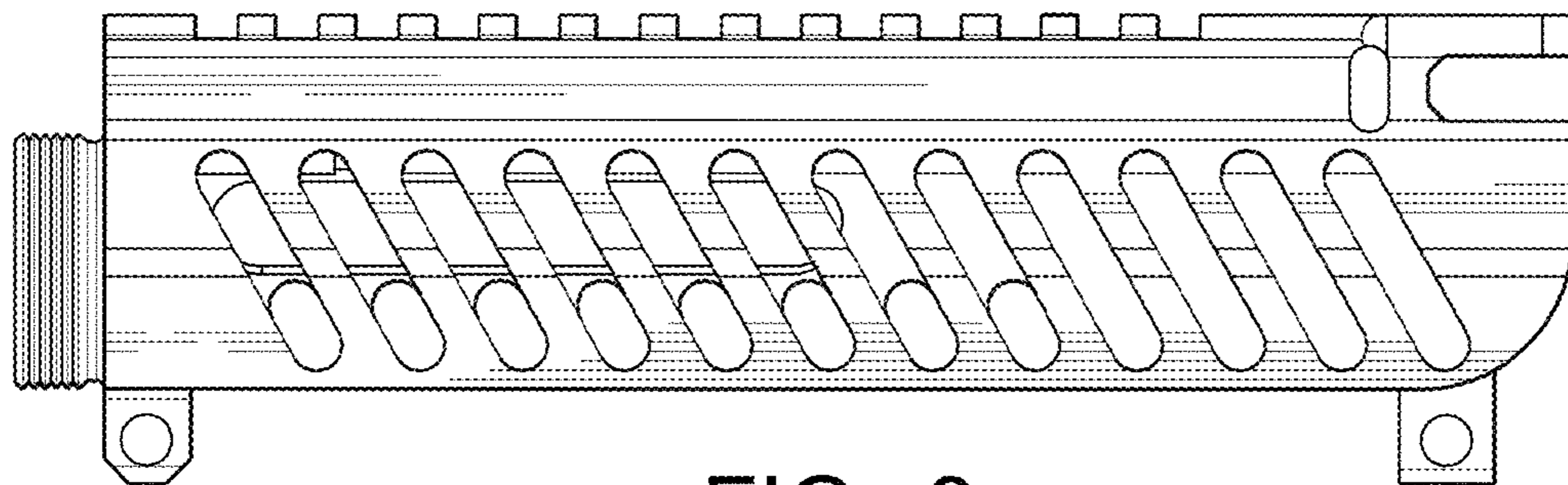


FIG. 8