



US00D768800S

(12) **United States Design Patent**
Willits

(10) **Patent No.:** **US D768,800 S**

(45) **Date of Patent:** **** Oct. 11, 2016**

(54) **RIFLE HANDGUARD WITH GRIP**

9,395,151 B2 * 7/2016 Somogy F41C 23/16

* cited by examiner

(71) Applicant: **F-1 RESEARCH, LLC—PATENTS SERIES**, Spring, TX (US)

Primary Examiner — Michael A Pratt

(72) Inventor: **Criag Larue Willits**, Spring, TX (US)

(74) *Attorney, Agent, or Firm* — Dossey & Jones PLLC; James P. Dossey

(73) Assignee: **F1 Research, LLC**, Spring, TX (US)

(57) **CLAIM**

(**) Term: **14 Years**

The ornamental design for a rifle handguard with grip, as shown and described.

(21) Appl. No.: **29/522,739**

DESCRIPTION

(22) Filed: **Apr. 2, 2015**

(51) **LOC (10) Cl.** **22-01**

(52) **U.S. Cl.**
USPC **D22/108**

(58) **Field of Classification Search**
USPC D22/103, 108; D8/68
CPC F41C 23/10; F41C 23/14; F41C 23/16;
F41C 23/18
See application file for complete search history.

FIG. 1 is an isometric front view showing the left side of an embodiment of the apparatus disclosed herein;
FIG. 2 is a plain front-end view of the apparatus of FIG. 1;
FIG. 3 is a plain back-end view of the apparatus of FIG. 1;
FIG. 4 is a plain top view of the apparatus of FIG. 1;
FIG. 5 is a plain bottom view of the apparatus of FIG. 1;
FIG. 6 is a plain side view showing the right side of the apparatus of FIG. 1; and,
FIG. 7 is a cross sectional view of the apparatus of FIG. 1, wherein such cross section is located in the handguard grip section as shown in FIG. 4.

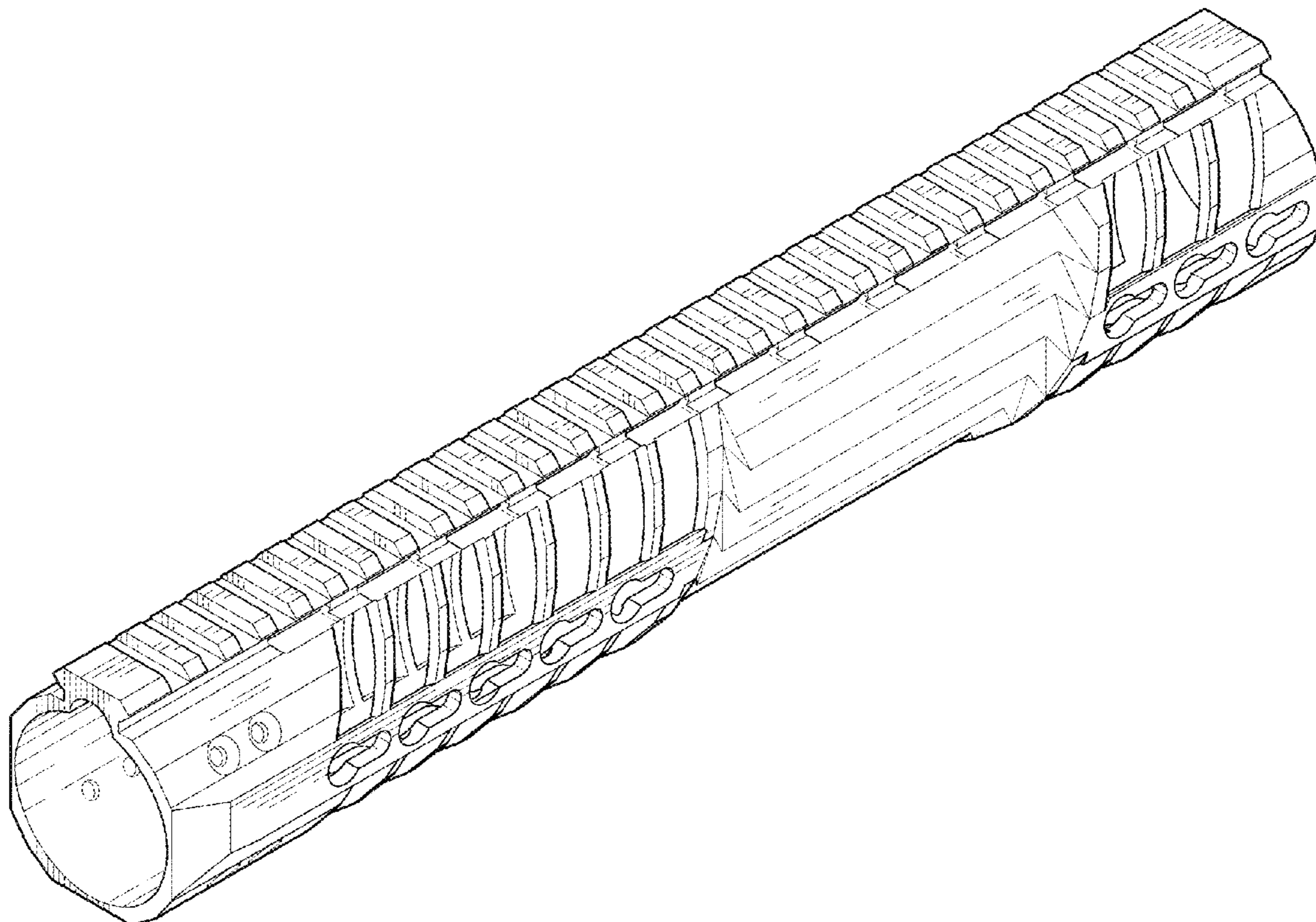
The Shading, and cross-hatching presented in the drawings are for illustration only and do not form a part of the claimed design.

(56) **References Cited**

U.S. PATENT DOCUMENTS

D716,902 S * 11/2014 Nason D22/108
D740,906 S * 10/2015 Oglesby D22/108

1 Claim, 3 Drawing Sheets



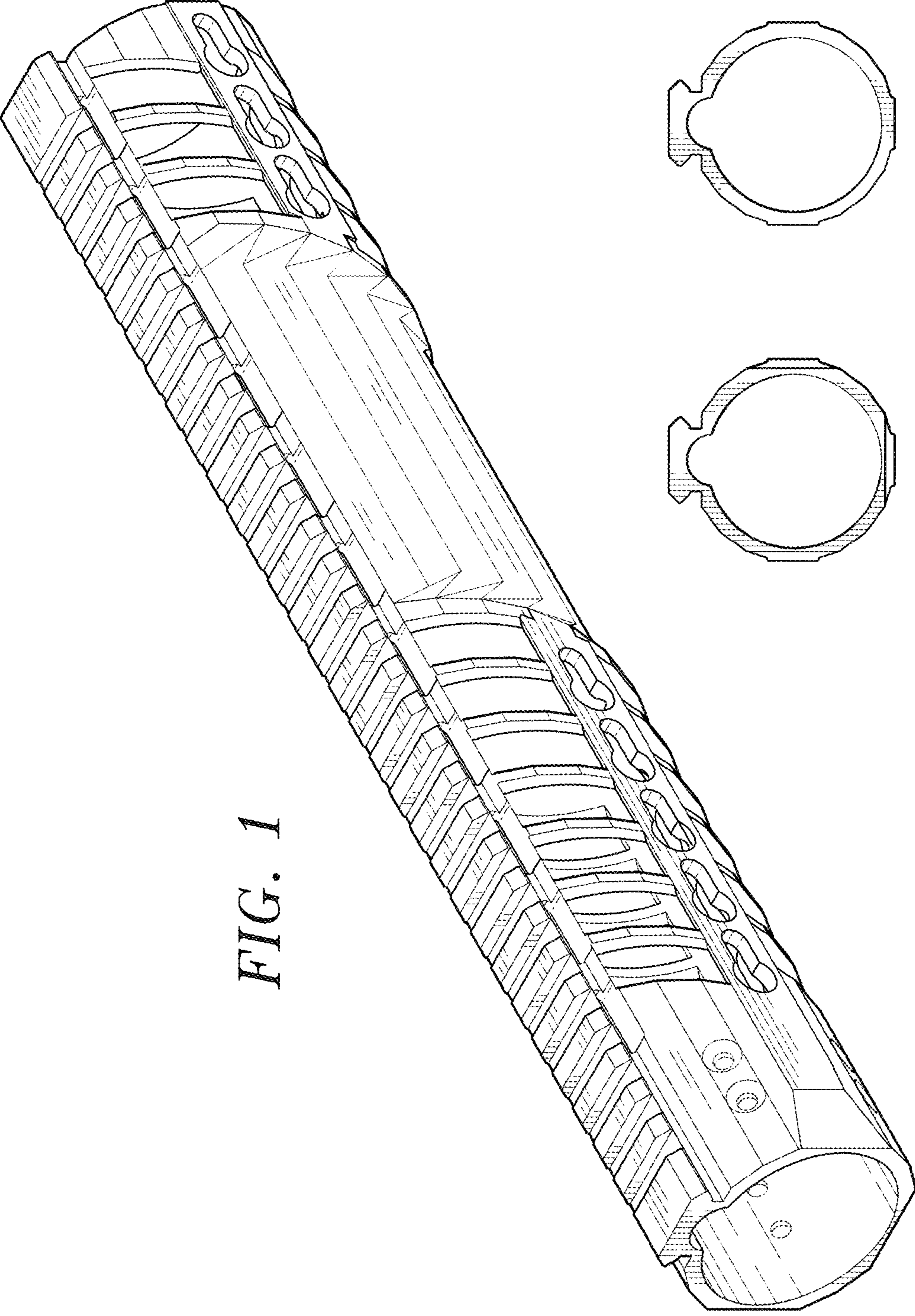


FIG. 1

FIG. 2

FIG. 3

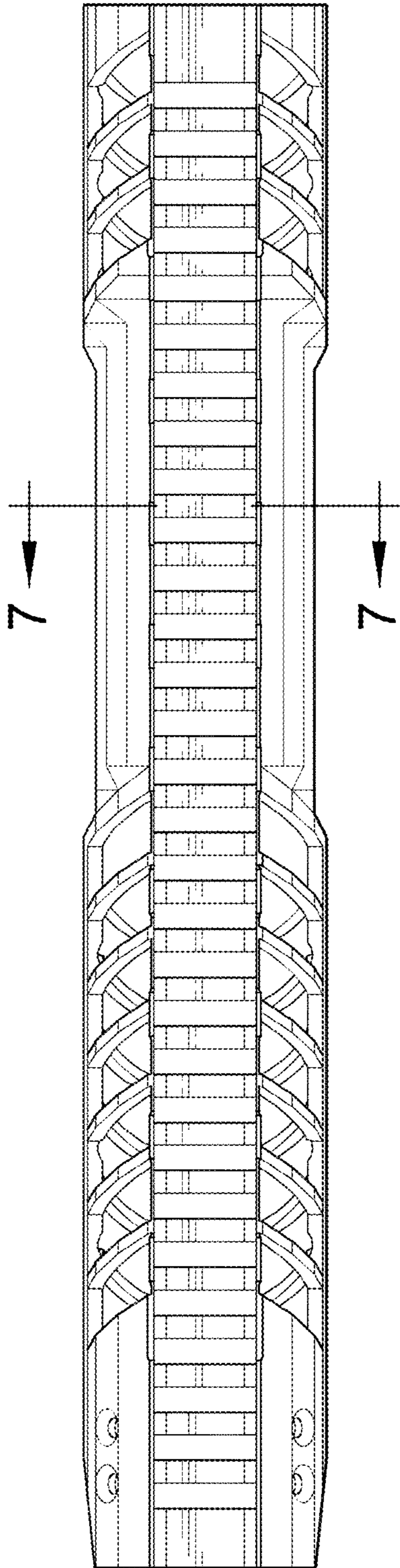


FIG. 4

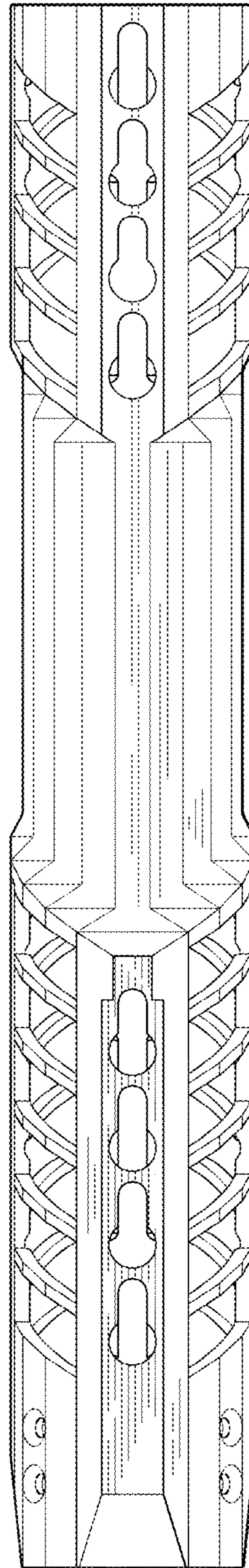


FIG. 5

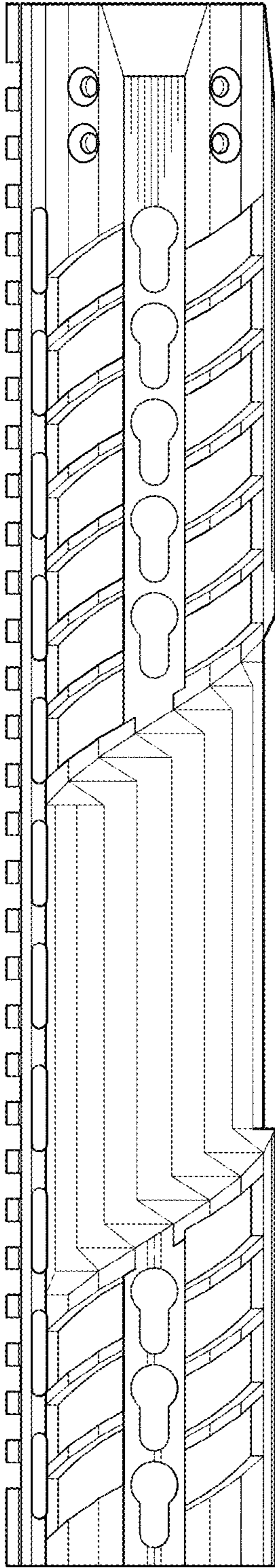


FIG. 6

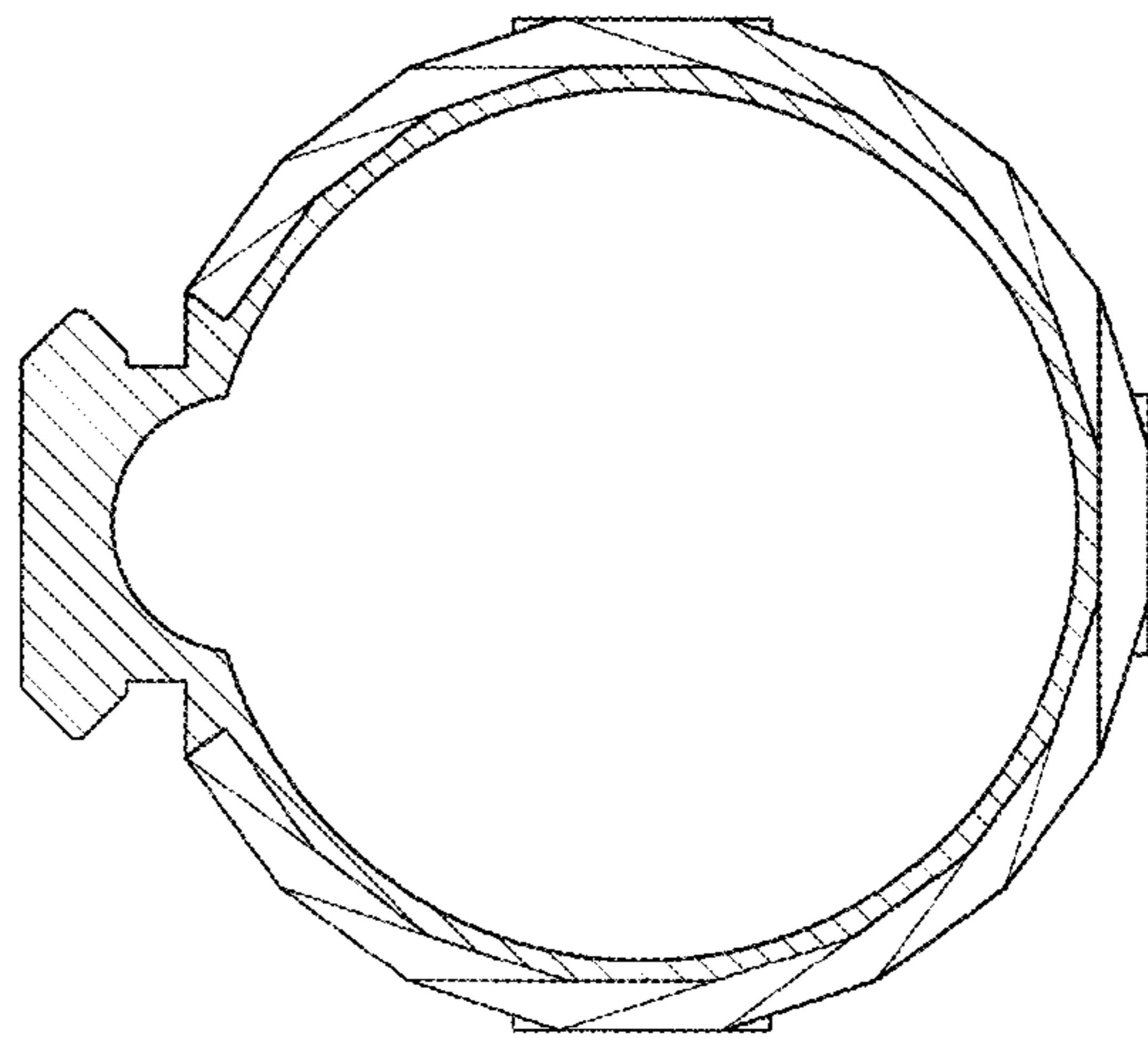


FIG. 7