



US00D768799S

(12) **United States Design Patent** (10) **Patent No.:** **US D768,799 S**  
**Stone** (45) **Date of Patent:** **\*\* Oct. 11, 2016**

(54) **MAGAZINE COUPLER**

(71) Applicant: **3D Custom Tech LLC**, Loveland, CO (US)  
(72) Inventor: **Mark A. Stone**, Loveland, CO (US)  
(73) Assignee: **3D Custom Tech LLC**, Loveland, CO (US)  
(\*\*) Term: **14 Years**

(21) Appl. No.: **29/517,849**

(22) Filed: **Feb. 17, 2015**

(51) **LOC (10) Cl.** ..... **22-01**

(52) **U.S. Cl.**  
USPC ..... **D22/108**

(58) **Field of Classification Search**  
USPC ..... D22/108  
CPC ..... F41A 9/70; F41A 9/65; F41A 9/71;  
F41A 9/68; F41A 9/69; F41A 11/02; F41A  
9/61; F41A 9/00; F41A 9/17; F41A 9/23;  
F41A 9/34; F41A 9/84  
See application file for complete search history.

(56) **References Cited**

**U.S. PATENT DOCUMENTS**

4,484,404 A \* 11/1984 Johnson ..... F41A 17/38  
42/18  
5,279,059 A \* 1/1994 Howard ..... F41A 9/63  
42/50  
5,636,465 A \* 6/1997 Johnson ..... F41A 9/68  
42/50  
D502,524 S \* 3/2005 Shiloni ..... D22/108  
D588,227 S \* 3/2009 Swenson, III ..... D22/108  
7,497,043 B2 \* 3/2009 Clifton, Jr. .... F41A 9/63  
224/239  
7,805,875 B1 \* 10/2010 Obong ..... F41A 9/61  
224/931  
D689,581 S \* 9/2013 Fitzpatrick ..... D22/108  
8,739,451 B2 \* 6/2014 Nelson ..... F41A 9/63  
220/23.4  
D720,422 S \* 12/2014 Fitzpatrick ..... D22/108  
2012/0137564 A1 \* 6/2012 Swenson, III ..... F41A 9/63  
42/87

**OTHER PUBLICATIONS**

CAA. MAG Coupler / MC16N. On-line catalog. <http://store.com-mandarms.com>, originally downloaded Feb. 18, 2015, 1 page.  
(Continued)

*Primary Examiner* — Michael A Pratt  
(74) *Attorney, Agent, or Firm* — Craig R. Miles; CR MILES P.C.

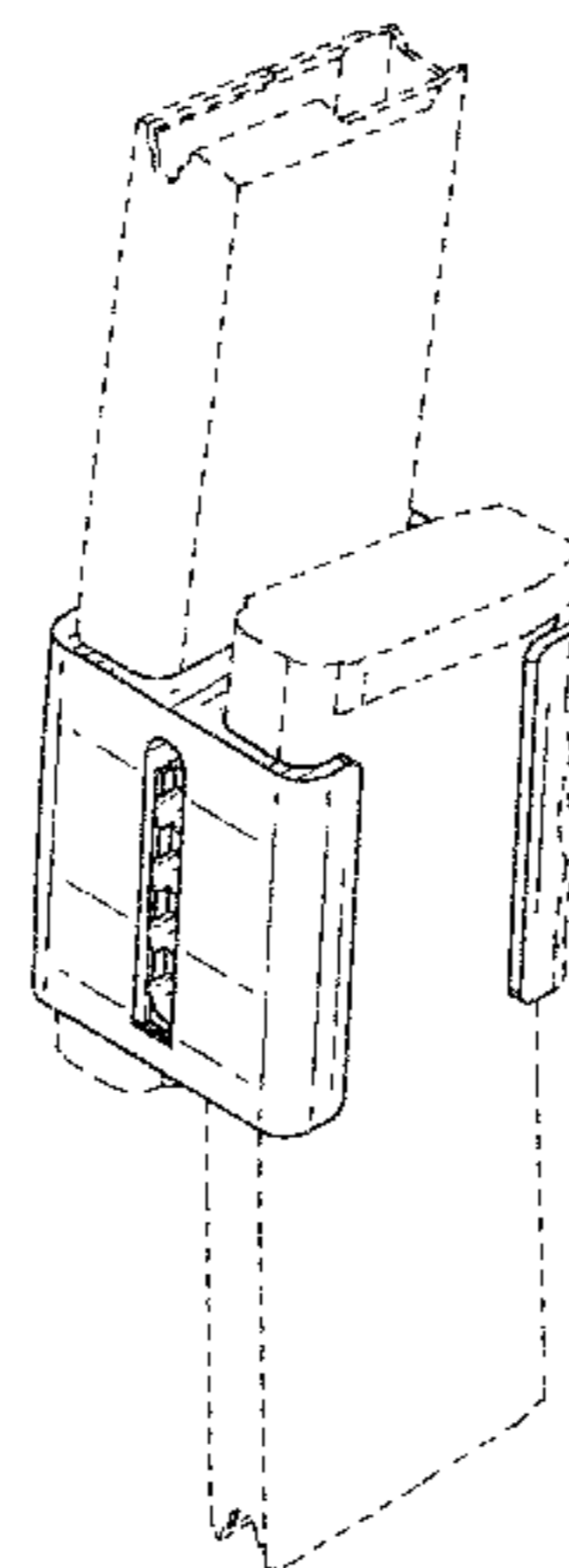
(57) **CLAIM**

The ornamental design for a magazine coupler, as shown and described.

**DESCRIPTION**

FIG. 1 is a top right side perspective view the magazine coupler coupled to a pair of magazines shown in broken lines and showing the ammunition carrier cover removed to show the interior of the ammunition carrier;  
FIG. 2. Is a rear elevation view thereof;  
FIG. 3 is a right side view thereof;  
FIG. 4 is a top right side perspective view showing the ammunition carrier cover in place;  
FIG. 5 is an exploded view top right perspective view showing the ammunition carrier cover removed to show the interior of the ammunition carrier;  
FIG. 6 is a rear elevation view thereof;  
FIG. 7 is a front elevation view thereof;  
FIG. 8 is a right side elevation view thereof;  
FIG. 9 is a left elevation view thereof;  
FIG. 10 is a top plan view thereof; and,  
FIG. 11 is bottom plan view thereof.  
The broken lines showing of two coupled magazines in FIGS. 1 through 3 represent environment which do not form a part of the claimed design. The broken lines showing of portions of the magazine coupler in FIGS. 1 through 11 do not form a part of the claimed design.

**1 Claim, 3 Drawing Sheets**



(56)

**References Cited**

OTHER PUBLICATIONS

CAA. MAG Coupler / MCD16. On-line catalog. <http://store.com-mandarms.com>, originally downloaded Feb. 18, 2015, 1 page.  
MAGPUL. MagLink® Coupler—PMAG® GEN M2 MOE®/GEN

M3. On-line catalog. <https://www.magpul.com>, originally downloaded Feb. 18, 2015, 1 page.

Midway USA. Mission First Tactical Magazine Coupler AR-15, Ruger Mini-14 Polymer. On-line catalog. <http://www.midwayusa.com>, originally downloaded Feb. 18, 2015, 1 page.

\* cited by examiner

FIG. 3

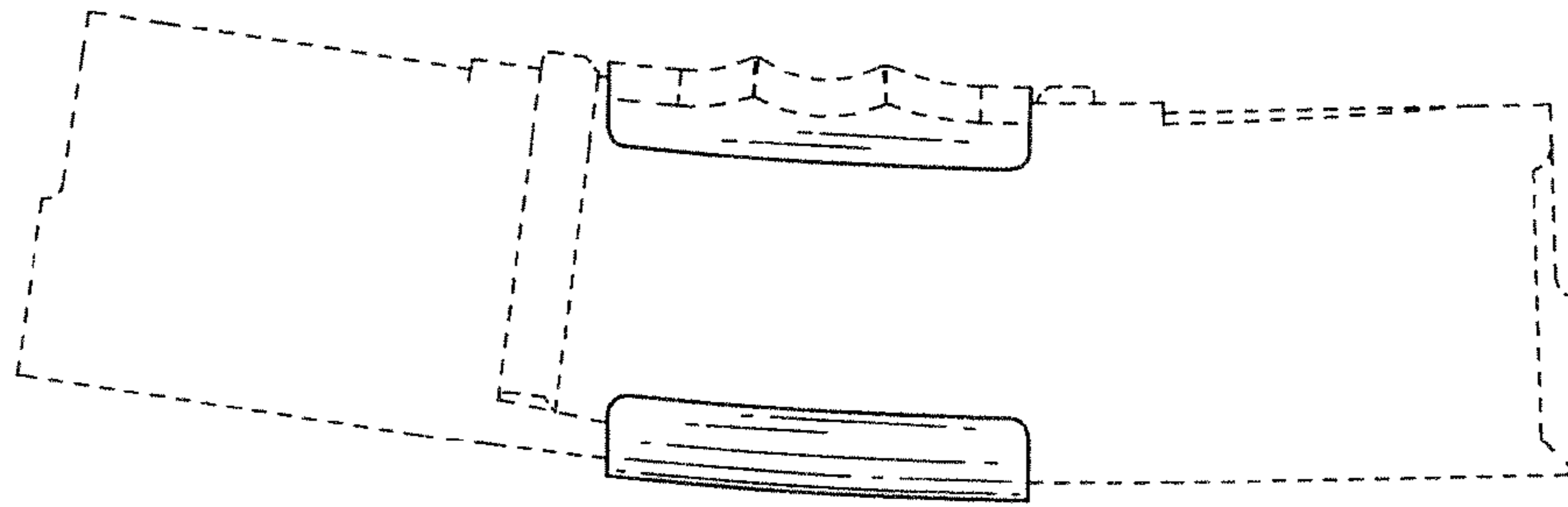


FIG. 2

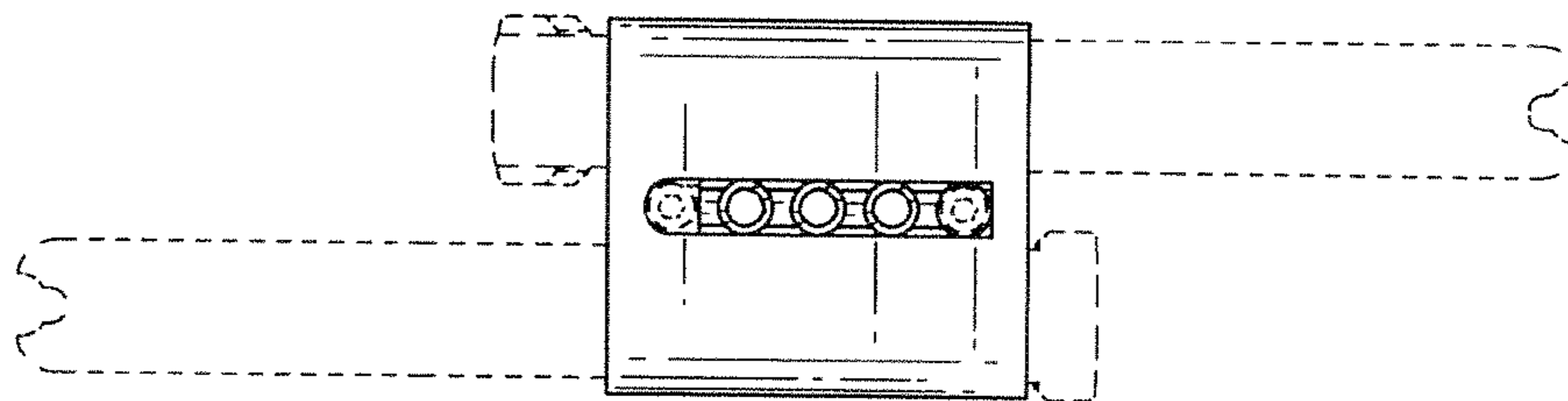


FIG. 1

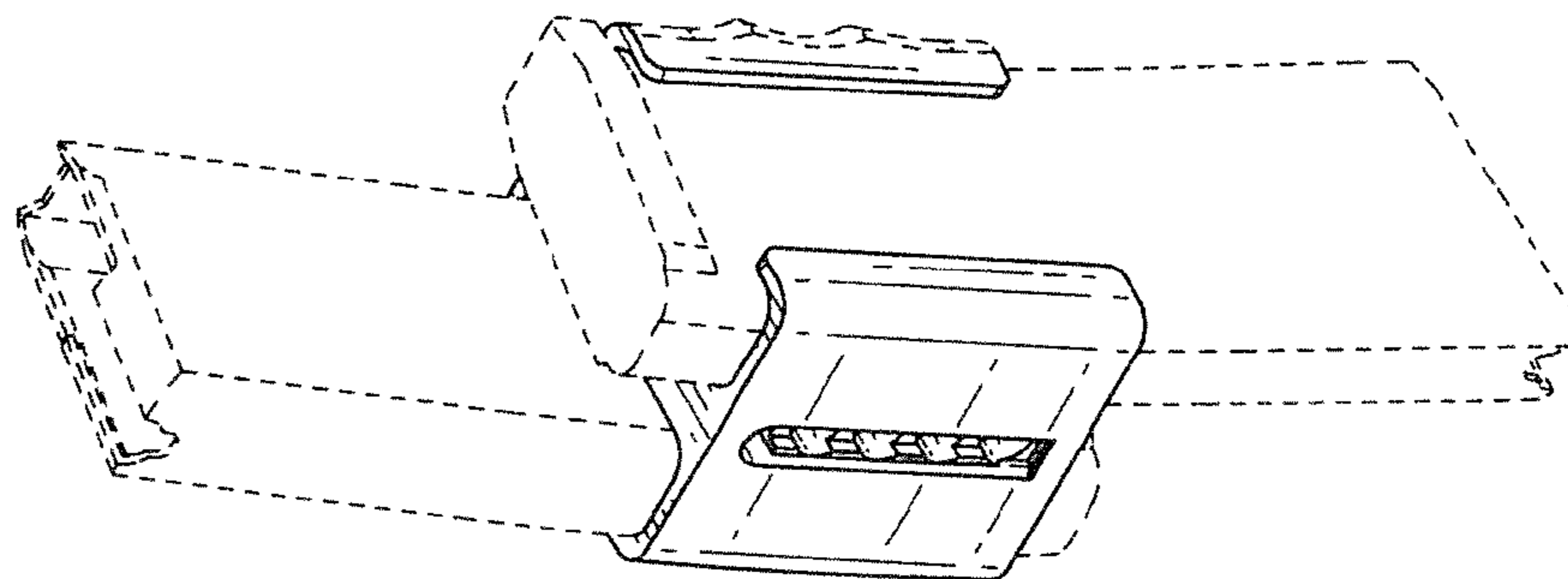


FIG. 4

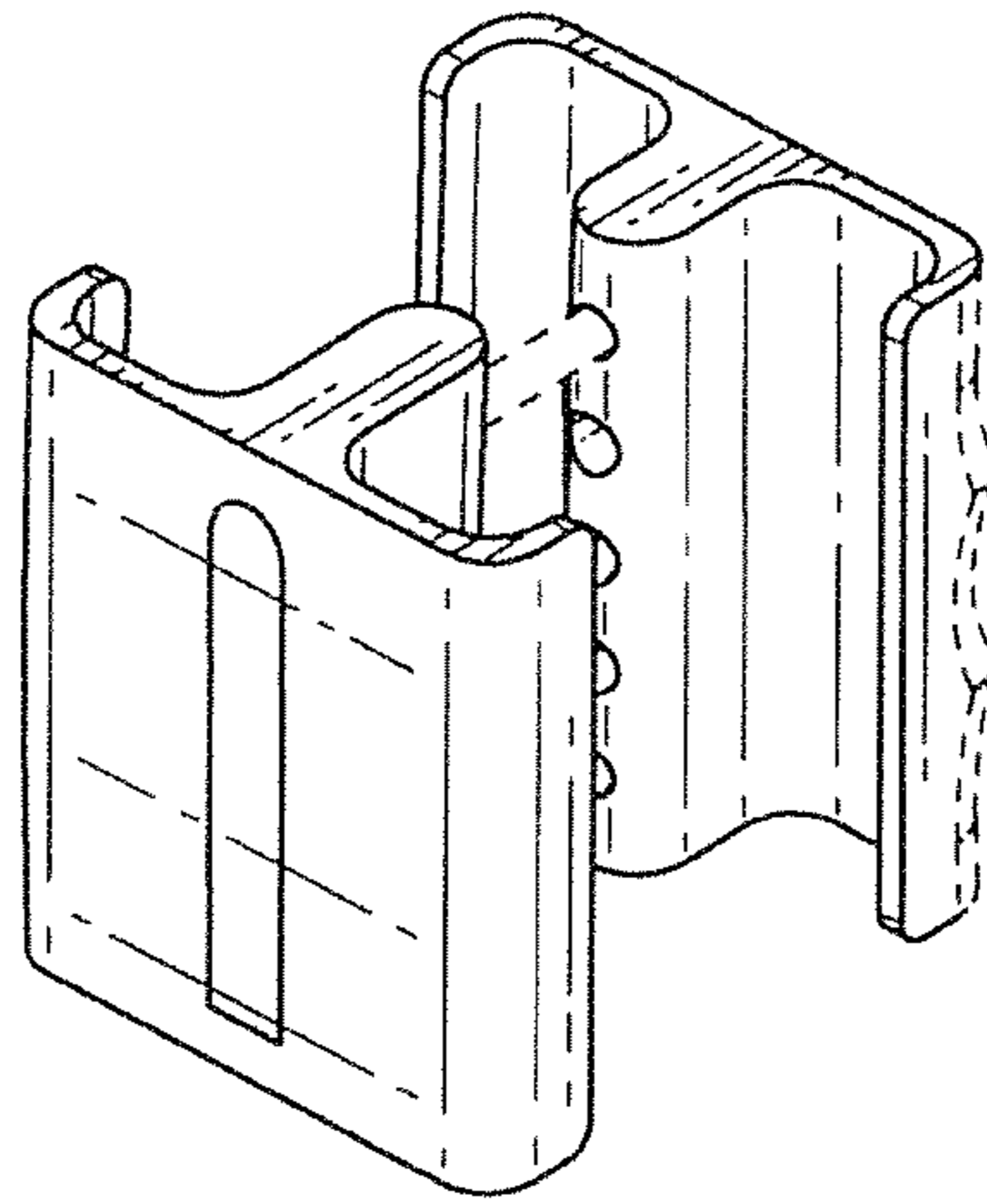


FIG. 5

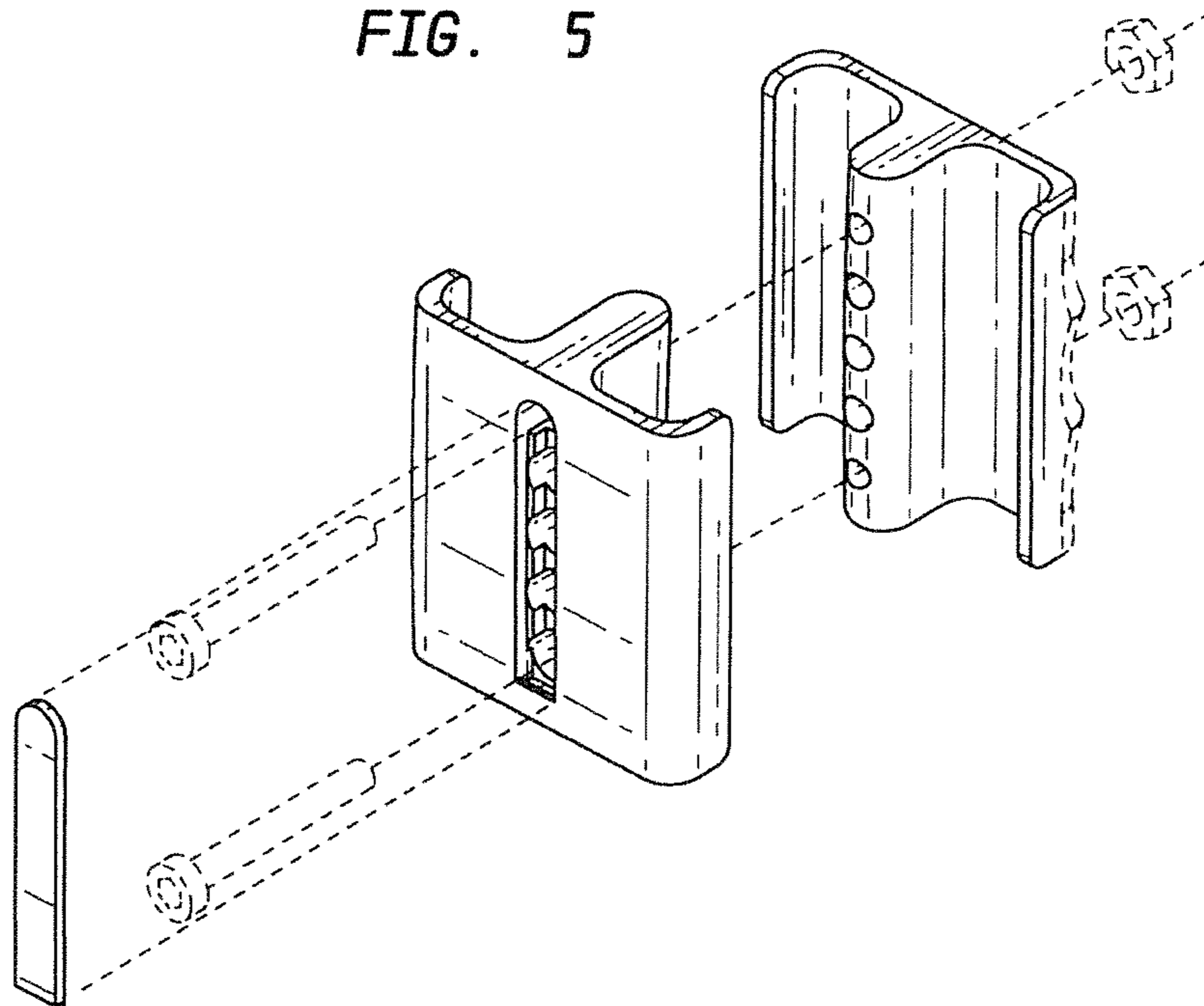


FIG. 6

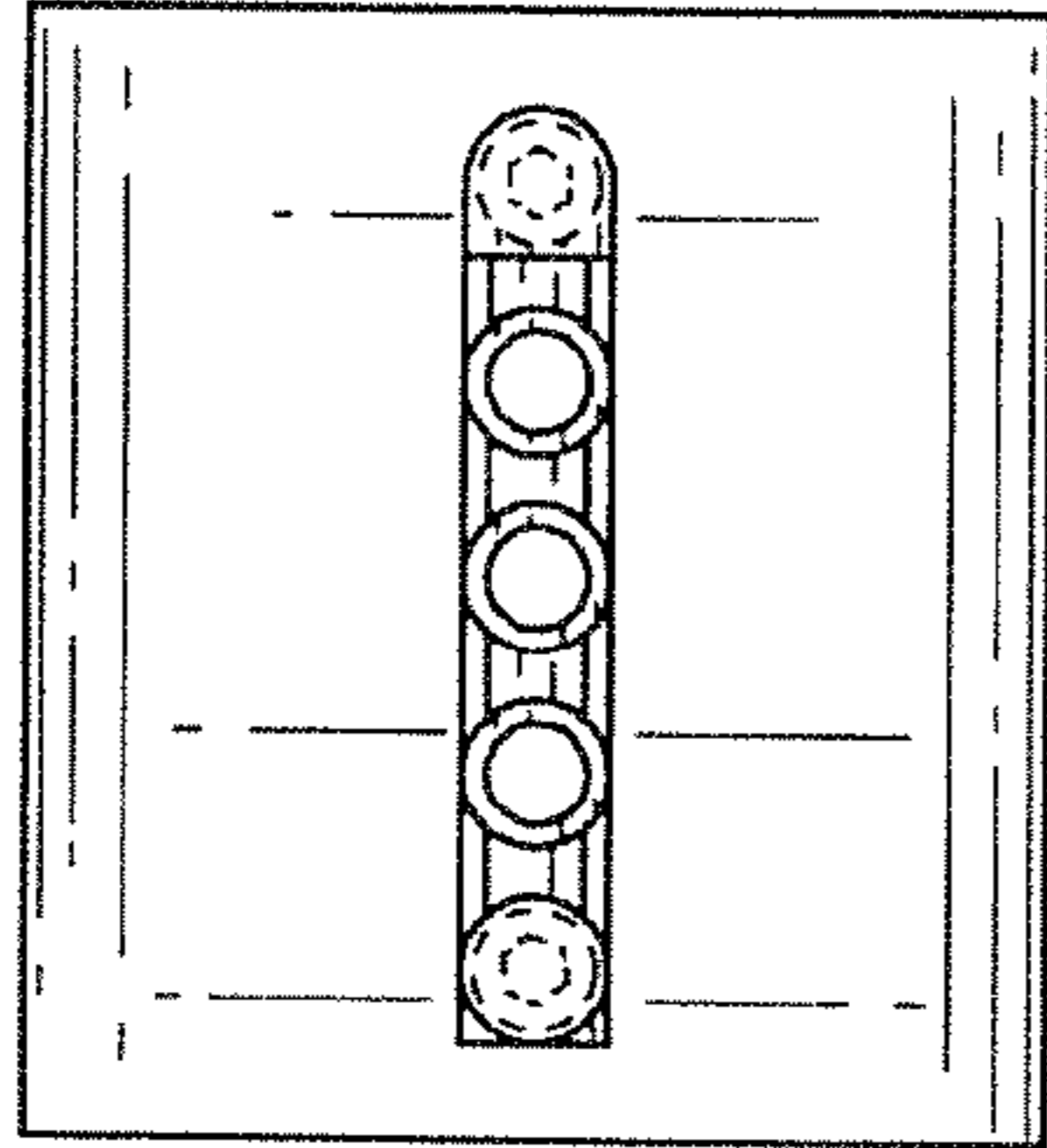


FIG. 7

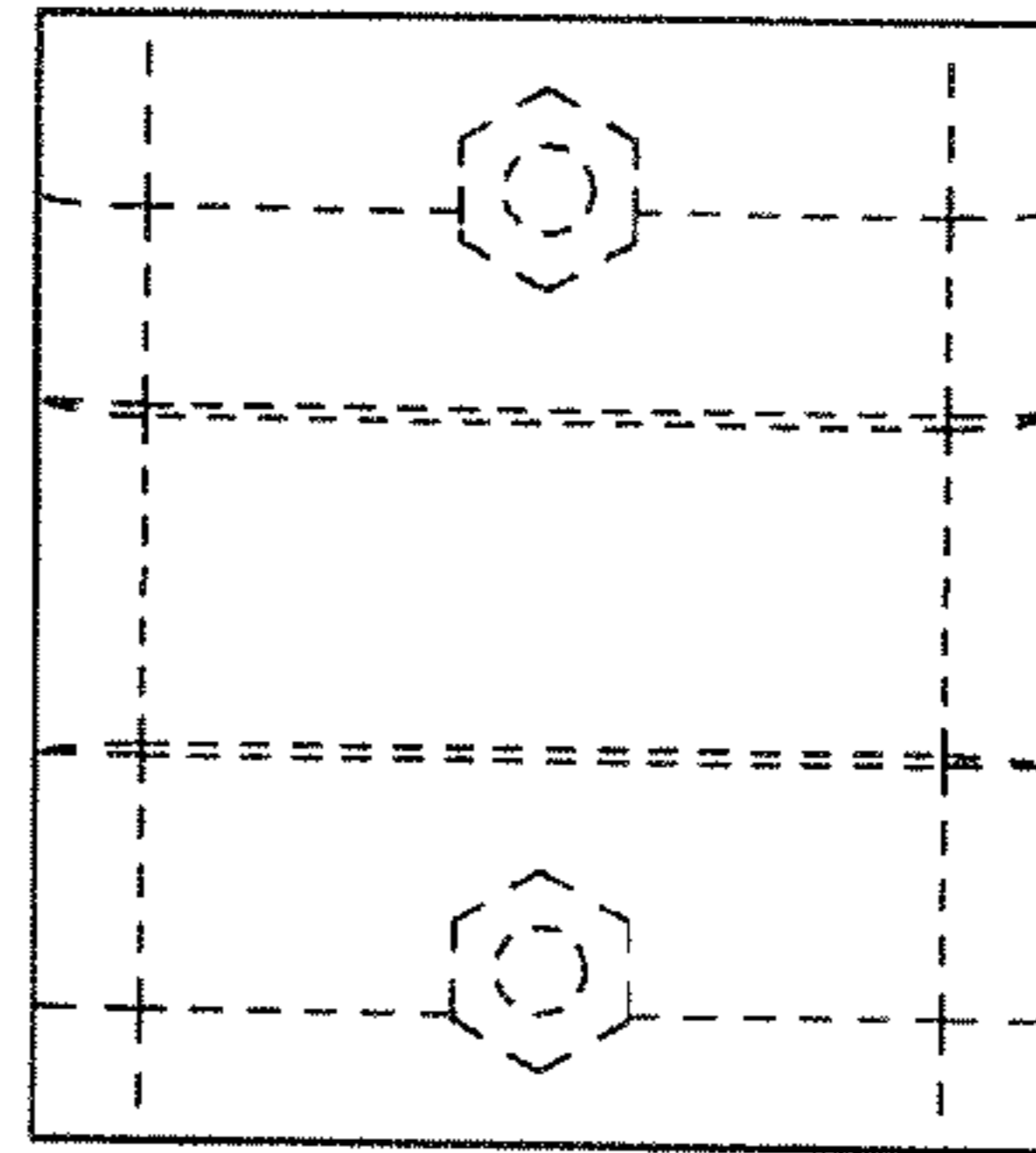


FIG. 8

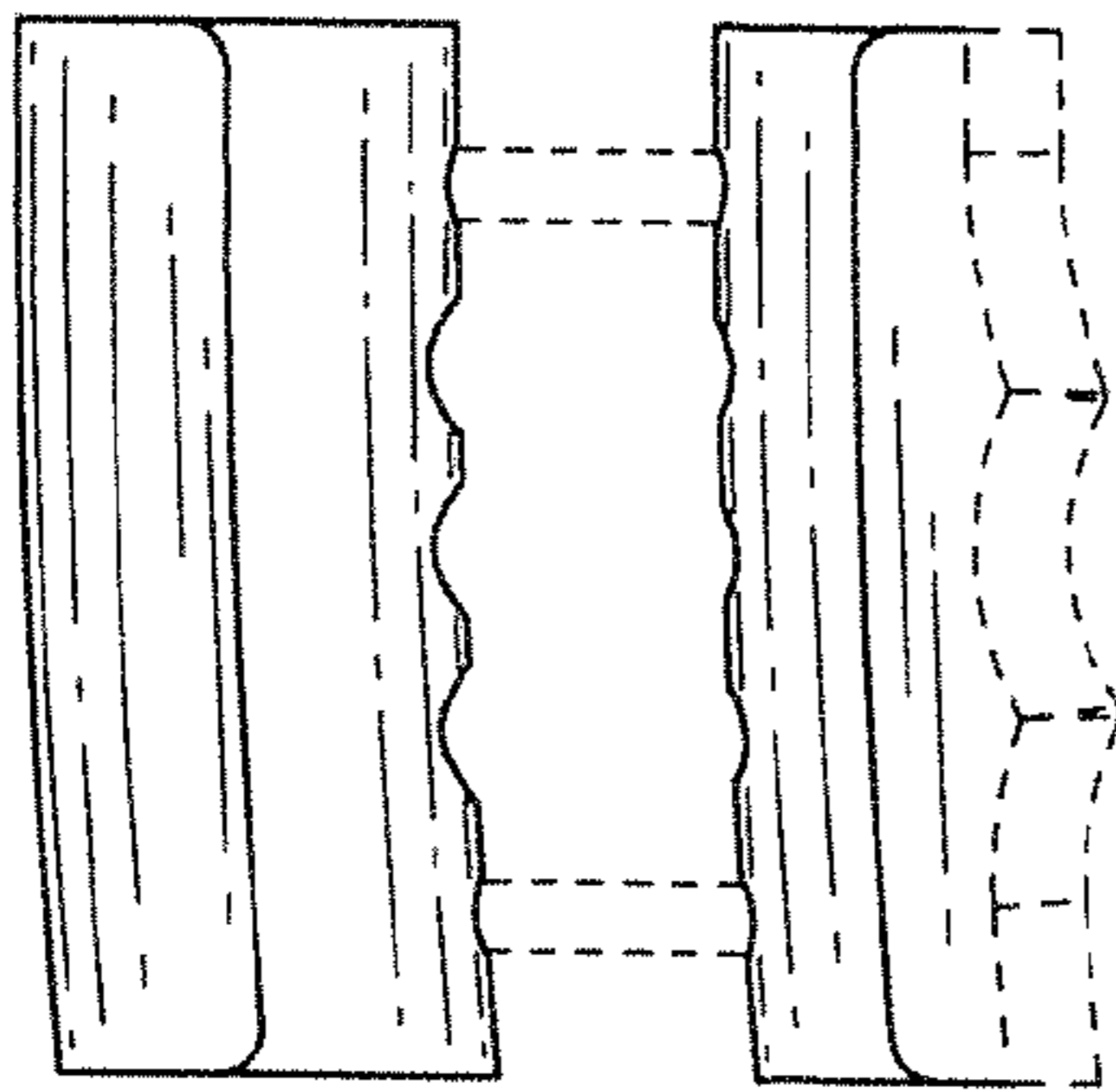


FIG. 9

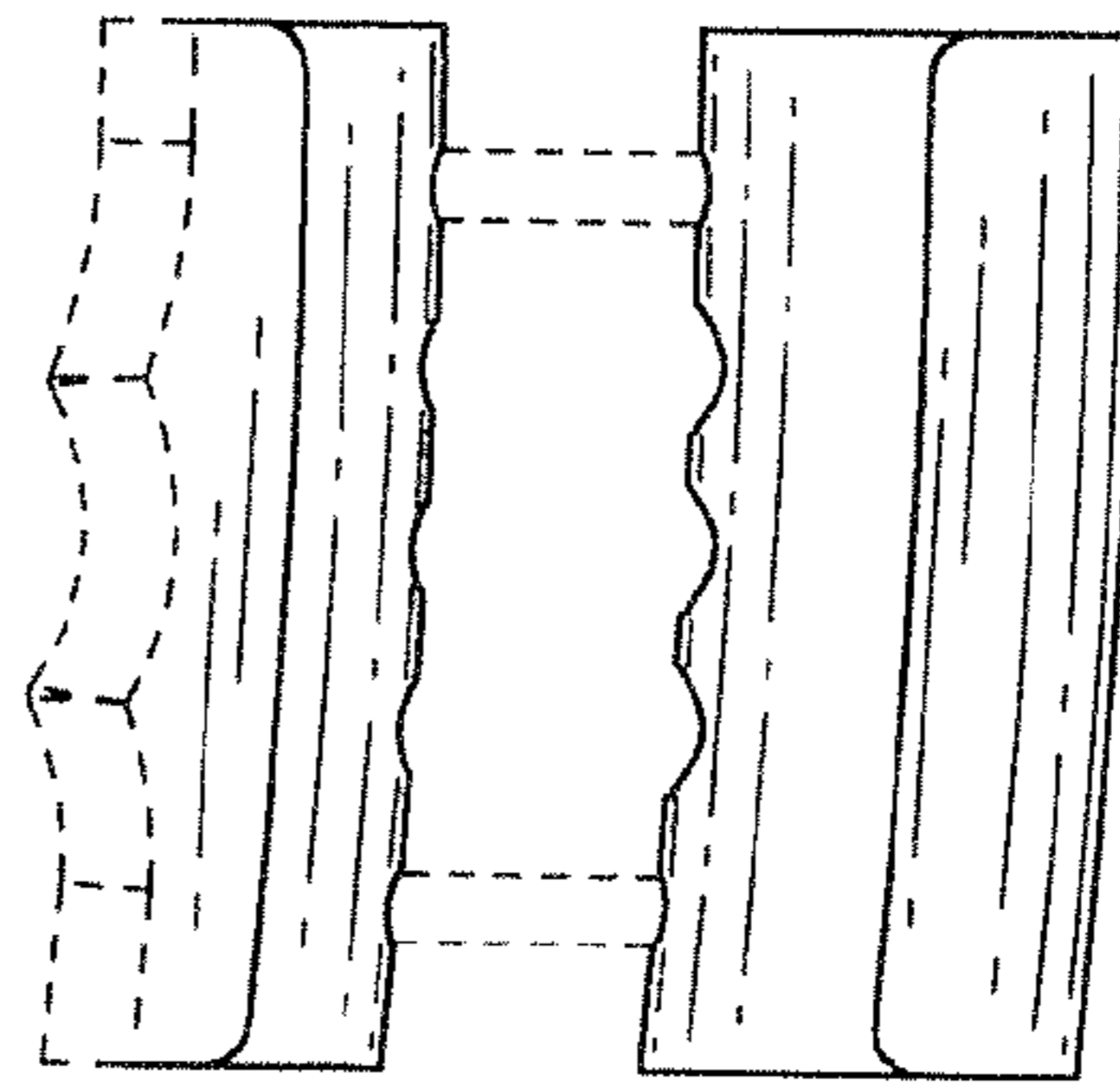


FIG. 10

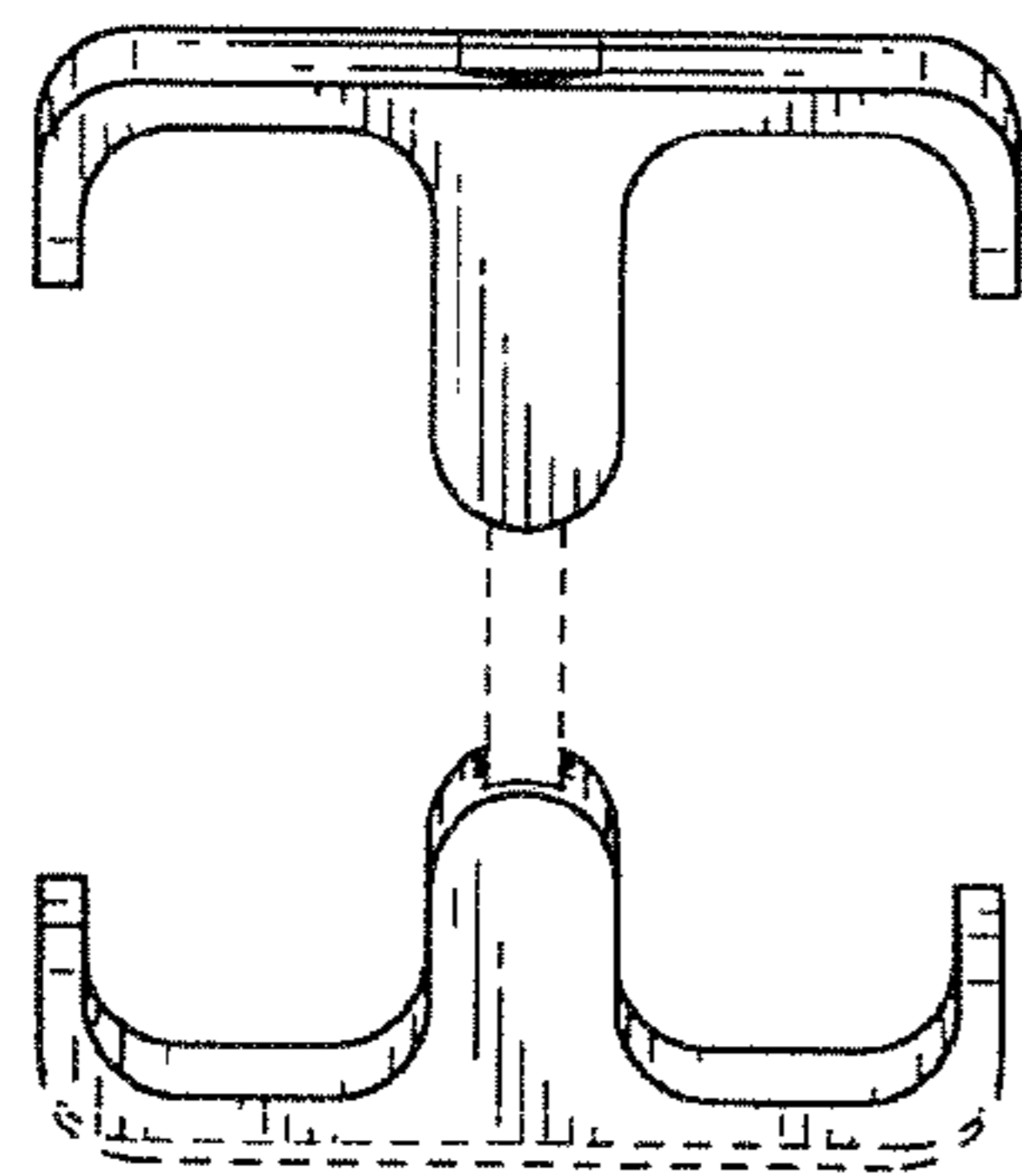


FIG. 11

